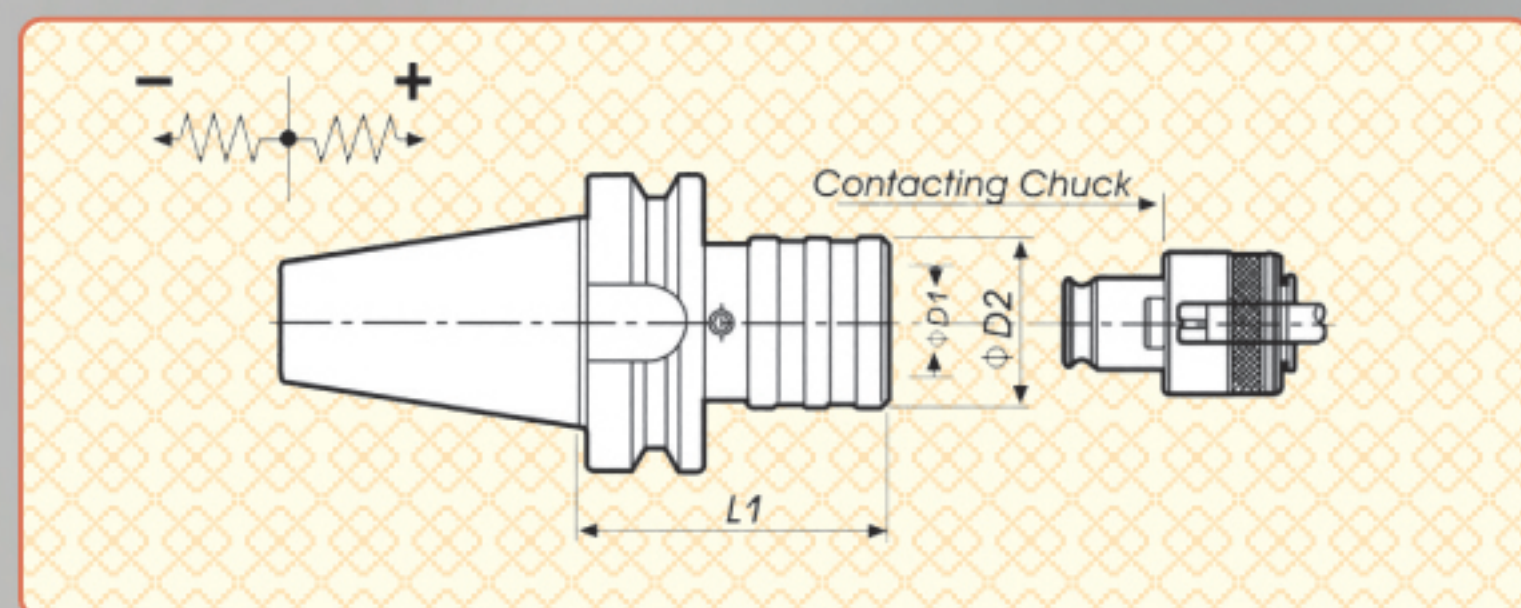


WF 快換式攻牙刀桿-伸縮型

WF QUICK CHANGE TAPPING CHUCK (WITH LENGTH COMPENSATION)

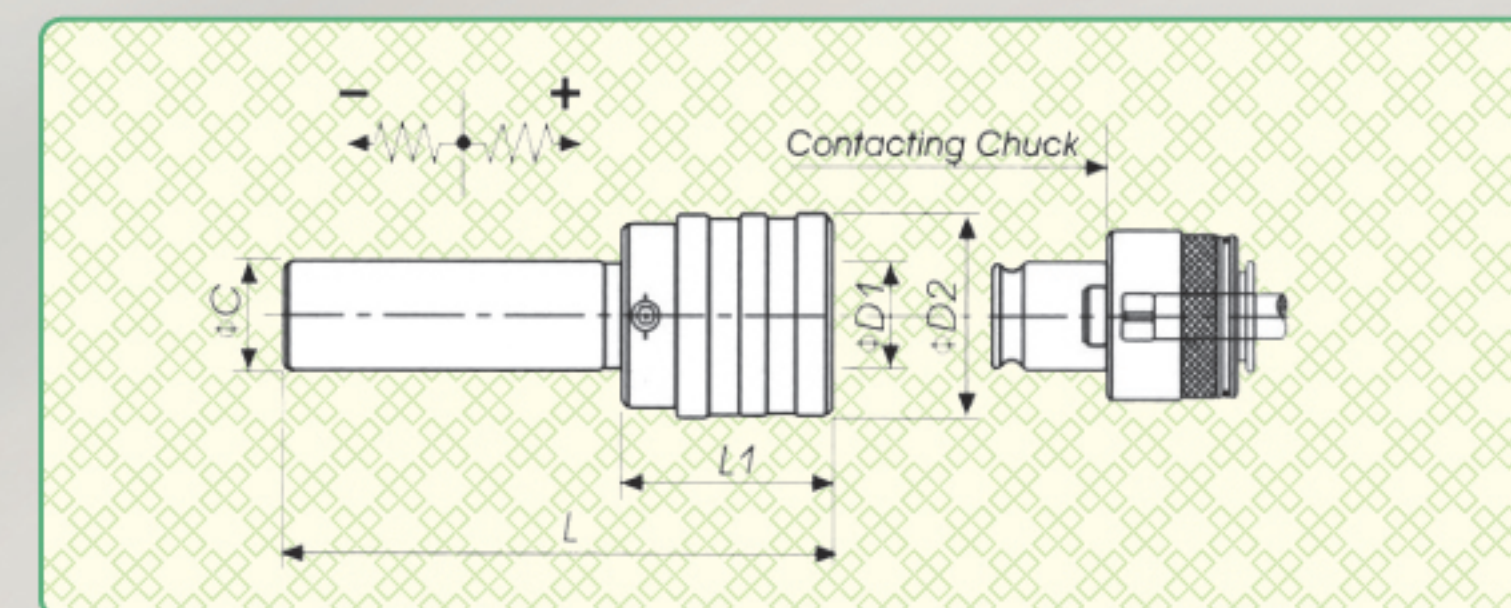


規格 Part No.	攻牙能力 Capacity	L1	ø D1	ø D2	伸縮長度Length Comp.		絲攻筒夾 Collets
					壓縮 Comp.	伸長 Tens.	
BT30-WF12	M3~M14	68	19	36	7.5	7.5	TC 312
BT30-WF20	M8~M24	94	31	53	12.5	12.5	TC 820
BT40-WF12	M3~M14	73	19	36	7.5	7.5	TC 312
BT40-WF20	M8~M24	94	31	53	12.5	12.5	TC 820
BT40-WF33	M14~M36	157	48	78	20.0	20.0	TC 1433
BT50-WF12	M3~M14	84	19	36	7.5	7.5	TC 312
BT50-WF20	M8~M24	103	31	53	12.5	12.5	TC 820
BT50-WF33	M14~M36	142	48	78	20.0	20.0	TC 1433

※ 絲攻筒夾須另購P16~20 ※ Tap collets need to be ordered separately.

WF 快換式攻牙刀桿-伸縮型

WF QUICK CHANGE TAPPING CHUCK (WITH LENGTH COMPENSATION)

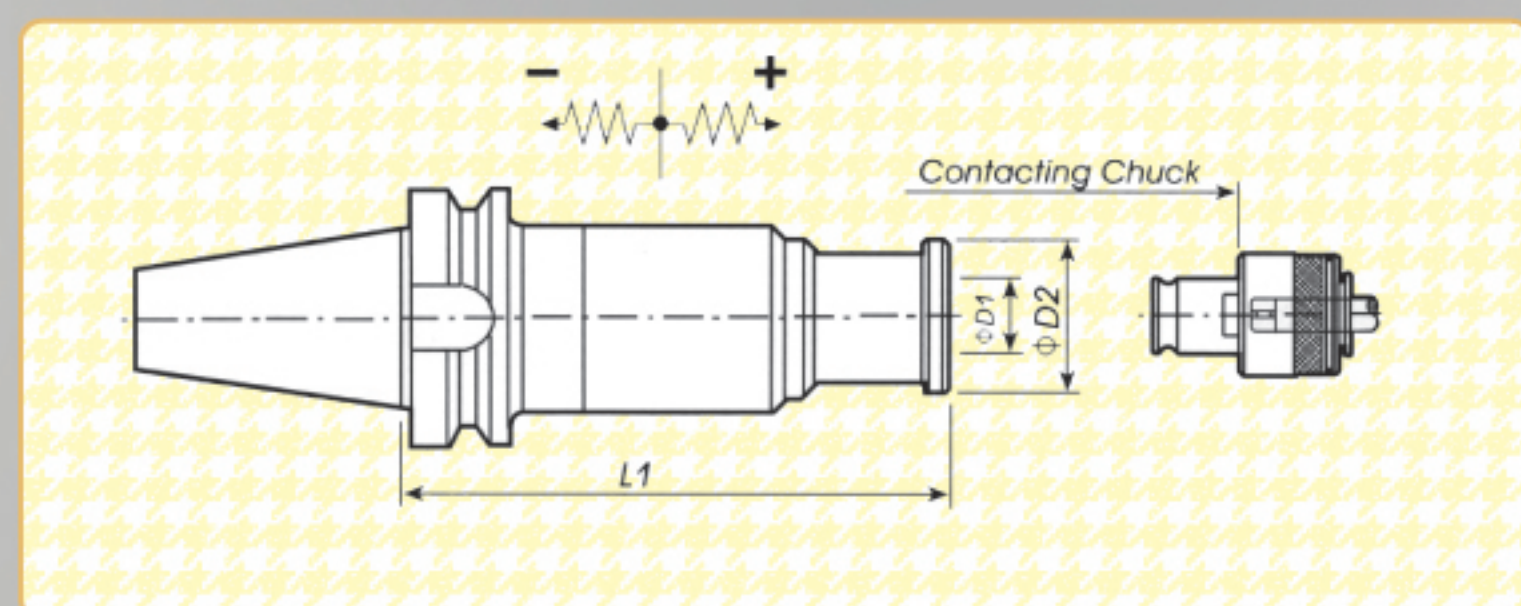


規格 Part No.	攻牙能力 Capacity	øC	L	L1	ø D1	ø D2	伸縮長度Length Comp.		絲攻筒夾 Collets
							壓縮 Comp.	伸長 Tens.	
ST20-WF12	M3~M14	20	105	40	19	36	7.5	7.5	TC 312
ST20-WF20	M8~M24	20	120	65	31	53	12.5	12.5	TC 820
ST25-WF20	M8~M24	25	145	65	31	53	12.5	12.5	TC 820
ST32-WF20	M8~M24	32	145	65	31	53	12.5	12.5	TC 820
ST32-WF33	M14~M36	32	183	103	48	78	20	15	TC 1433

※ 絲攻筒夾須另購P16~20 ※ Tap collets need to be ordered separately.

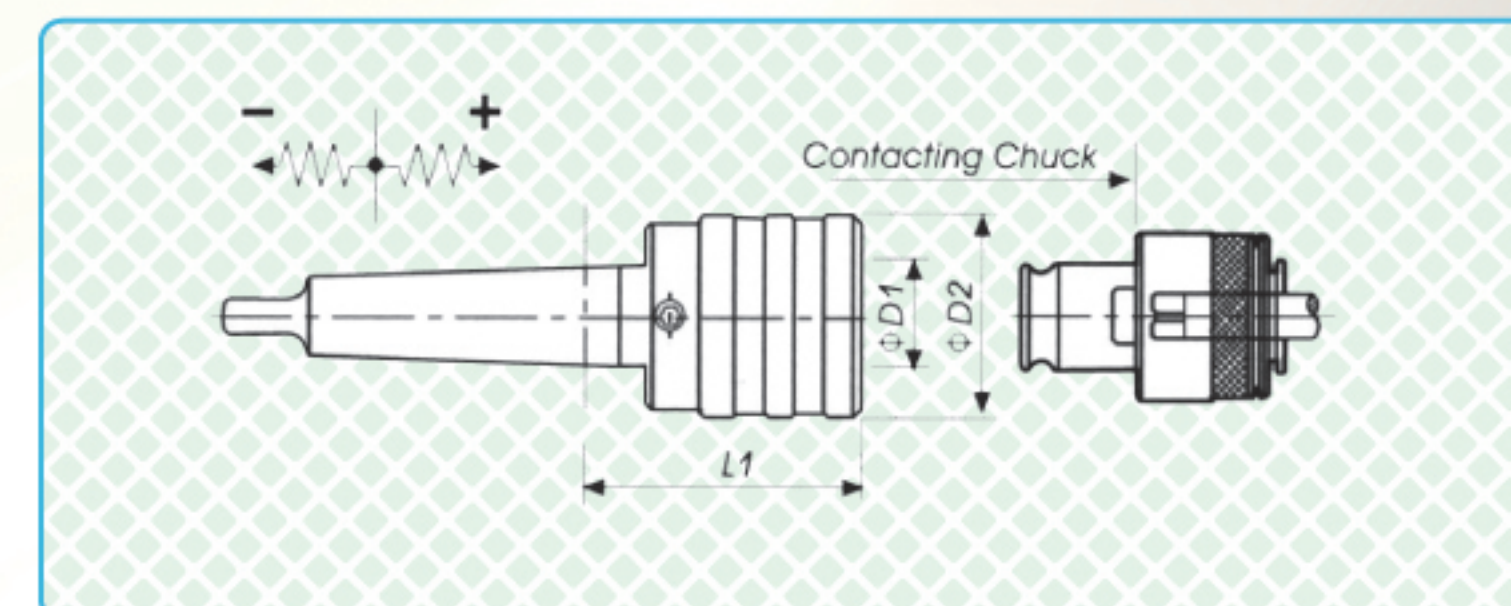
WFE 快換式攻牙刀桿-伸縮加長型

WFE QUICK CHANGE TAPPING CHUCK (WITH LENGTH COMPENSATION)



規格 Part No.	攻牙能力 Capacity	L1	ø D1	ø D2	伸縮長度Length Comp.		絲攻筒夾 Collets
					壓縮 Comp.	伸長 Tens.	
BT40-WFE12-135	M3~M14	135	19	46	15.0	20.0	TC 312
BT40-WFE12-165	M3~M14	165	19	46	15.0	20.0	TC 312
BT40-WFE20-135	M8~M24	135	31	58	15.0	15.0	TC 820
BT40-WFE20-165	M8~M24	165	31	58	15.0	15.0	TC 820
BT50-WFE12-135	M3~M14	135	19	46	15.0	20.0	TC 312
BT50-WFE12-165	M3~M14	165	19	46	15.0	20.0	TC 312
BT50-WFE20-165	M8~M24	165	31	58	15.0	15.0	TC 820
BT50-WFE33-200	M14~M36	200	48	75	20.0	20.0	TC 1433

※ 絲攻筒夾須另購P16~20 ※ Tap collets need to be ordered separately.



規格 Part No.	攻牙能力 Capacity	L1	ø D1	ø D2	伸縮長度Length Comp.		絲攻筒夾 Collets
					壓縮 Comp.	伸長 Tens.	
MT2-WF12	M3~M14	46	19	36	7.5	7.5	TC 312
MT3-WF12	M3~M14	46	19	36	7.5	7.5	TC 312
MT3-WF20	M8~M24	70	31	53	12.5	12.5	TC 820
MT4-WF20	M8~M24	77	31	53	12.5	12.5	TC 820
MT4-WF33	M14~M36	103	48	78	20	15	TC 1433

※ 絲攻筒夾須另購P16~20 ※ Tap collets need to be ordered separately.