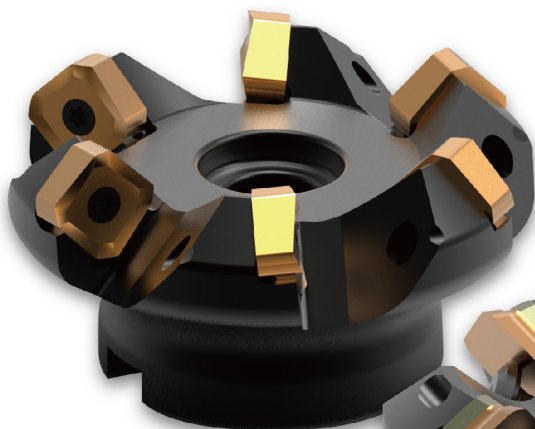
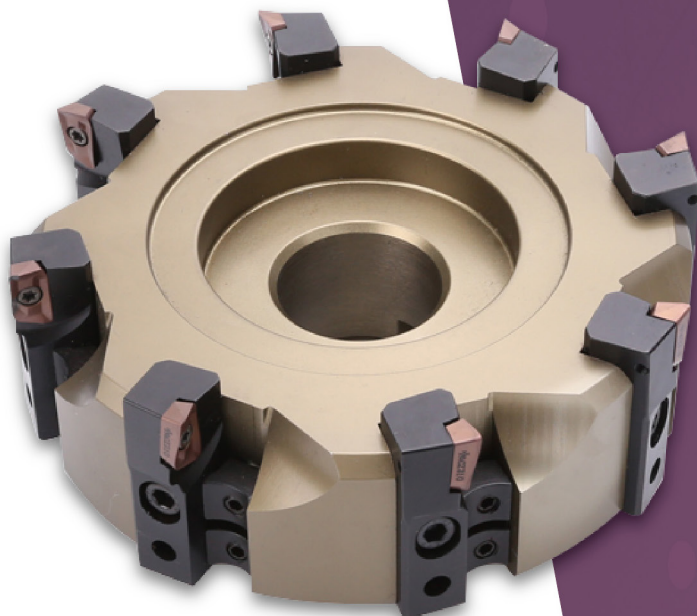


# 平面銑刀

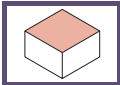
FACE MILLS



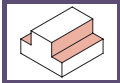
Since 1976



## MTE3



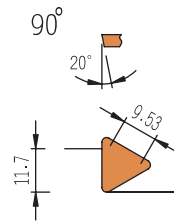
平面加工  
Face Milling



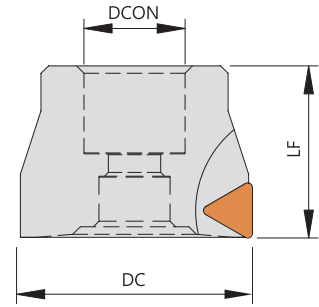
肩銑加工  
Shoulder Milling



溝槽加工  
Slot Milling



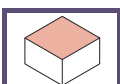
For indexable inserts  
TE 1603



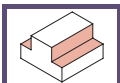
Order No.	Insert	Dimensions(mm)				Clamp	Clamp Screw	Clamp Spring	Shim	Shim Screw	Wrench	
		刀徑 DC	長度 LF	孔徑 DCON DCON (inch)								刃數 I No.
Right / Left												
MTE3050R	TE..1603	50	46	22	-	3	CP50-3	CSB0617T	SP030	SMT32E	CSF3006	TL-25
MTE3063R		63	46	27	1"	4						
MTE3080R		80	46.5	27	1"	5						
MTE3100R		100	50	32	1-1/4"	6						

Order No.	Insert	Dimensions(mm)				Locator	Insert Clamp	Clamp Screw	Locator Screw	Washer	Wrench	
		刀徑 DC	長度 LF	孔徑 DCON DCON (inch)								刃數 I No.
Right / Left												
NMTE3125R	TE..1603	125	55	40	-	6	MTEL60-20	CP50-7	CS70-1	CSH0414	CS70-3	TW040
NMTE3160R		160	60	40	-	8						
NMTE3200R		200	60	60	-	12						

## MTE4



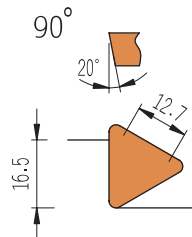
平面加工  
Face Milling



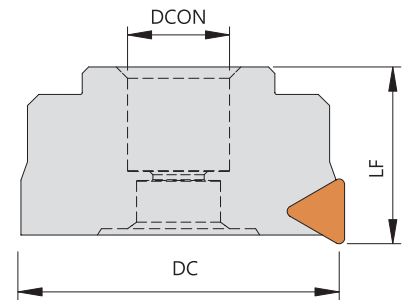
肩銑加工  
Shoulder Milling



溝槽加工  
Slot Milling

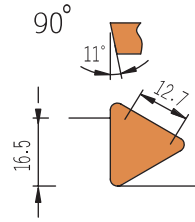


For indexable inserts  
TE 2204

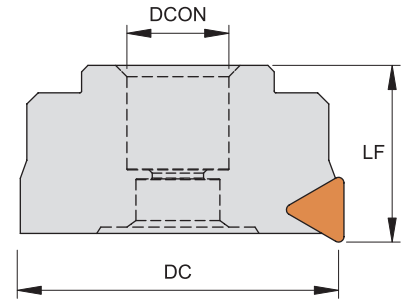
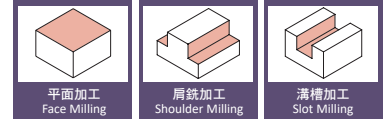


Order No.	Insert	Dimensions(mm)				Locator	Insert Clamp	Clamp Screw	Locator Screw	Washer	Wrench	
		刀徑 DC	長度 LF	孔徑 DCON DCON (inch)								刃數 I No.
Right / Left												
MTE4080R	TE..2204	80	55	27	1"	4	MTEL60-16	CP50-7	CS70-1	CSH0414	CS70-3	TW040
MTE4100R		100	55	32	1-1/4"	5						
MTE4125R		125	55	40	1-1/2"	6						
MTE4160R		160	60	40	2"	8						
MTE4200R		200	60	60	1-7/8"	12						

## MTP4



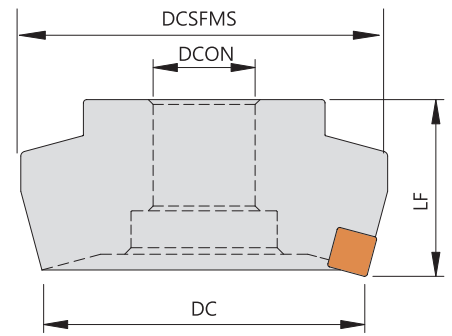
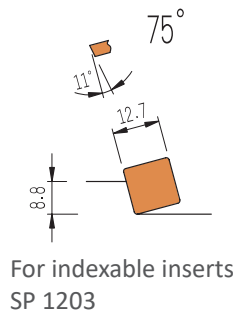
For indexable inserts  
TP 2204



Positive/Axial Rake/Radial Rake

Order No.	Insert	Dimensions(mm)				Locator	Insert Clamp	Clamp Screw	Locator Screw	Washer	Wrench
		刀徑 DC	長度 LF	孔徑 DCON DCON (inch)							
MTP4080R	TP..2204	80	55	27	1"	MTPL60-8	CP50-7	CS70-1	CSH0412	CS70-3	TW040
MTP4100R		100	55	32	1-1/4"						
MTP4125R		125	55	40	1-1/2"						
MTP4160R		160	60	40	2"						
MTP4200R		200	60	60	1-7/8"						
MTP4250R		250	65	60	1-7/8"						
MTP4315R		315	65	60	1-7/8"						
MTP4360R		360	65	60	1-7/8"						

## NSP4

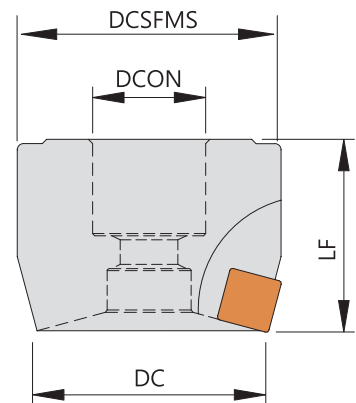
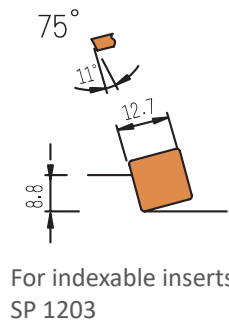


Negative/Axial Rake/Radial Rake

▼Recommended Inserts 建議刀片品牌: SUMITOMO

Order No.	Insert	Dimensions(mm)						Locator	Insert Clamp	Clamp Screw	Locator Screw	Washer	Wrench
		刀徑	夾持接觸面直徑	長度	孔徑		刃數						
Right / Left		DC	DCSFMS	LF	DCON	DCON (inch)	I No.						
NSP4080R	SP..1203	80	62	46	27	1"	5	NSPL60-17	CP50-7	CS70-1	CSH0414	CS70-3	TW040
NSP4100R		100	75	51	32	1-1/4"	6						
NSP4125R		125	75	55	40	1-1/2"	8						
NSP4160R		160	128	57	40	2"	10						
NSP4200R		200	170	57	60	1-7/8"	14						
NSP4250R		250	215	57	60	1-7/8"	16						
NSP4315R		315	280	62	60	1-7/8"	18						
NSP4360R		360	331	62	60	1-7/8"	20						

## SPC4

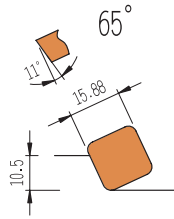


Positive/Axial Rake

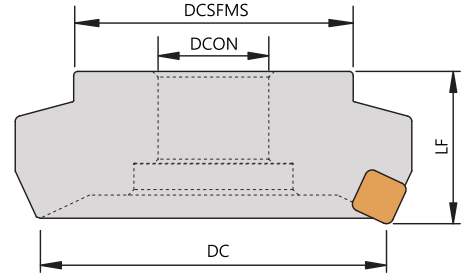
▼Recommended Inserts 建議刀片品牌: SUMITOMO

Order No.	Insert	Dimensions(mm)						Clamp	Screw	Spring	Wrench
		刀徑	夾持接觸面直徑	長度	孔徑		刃數				
Right / Left		DC	DCSFMS	LF	DCON	DCON (inch)	I No.				
SPC4050	SP..1203	50	58	46	22	-	3	CP50-3	CSB0617T	SP030	TL-25
SPC4063		63	71	46	27	1"	4				
SPC4075		75	82	46	27	1"	5				
SPC4100		100	108	51	32	1-1/4"	6				

## SP5



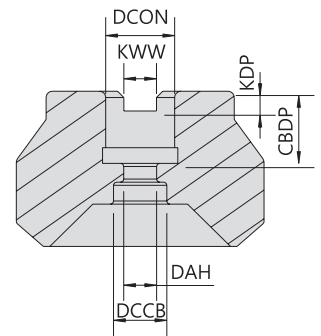
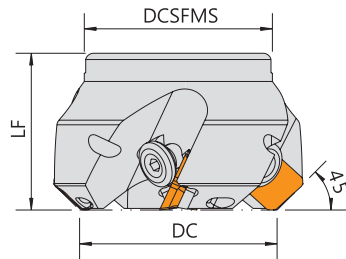
For indexable inserts  
SP 1504



Positive/Axial Rake/Radial Rake

Order No.	Insert	Dimensions(mm)						Locator	Insert Clamp	Clamp Screw	Locator Screw	Washer	Wrench
		刀徑 DC	夾持接觸面直徑 DCSFMS	長度 LF	孔徑 DCON DCON (inch)		刃數 I No.						
SP5080R	SP..1504	80	65	50	27	1"	4	SPL60-5	CP50-7	CS70-1	CSH0412	CS70-3	TW040
SP5100R		100	78	55	32	1-1/4"	5						
SP5125R		125	101	55	40	1-1/2"	6						
SP5160R		160	125	60	40	2"	8						
SP5200R		200	170	60	60	1-7/8"	10						
SP5250R		250	220	60	60	1-7/8"	12						
SP5315R		315	282	60	60	1-7/8"	14						
SP5360R		360	295	65	60	1-7/8"	16						

## SF5

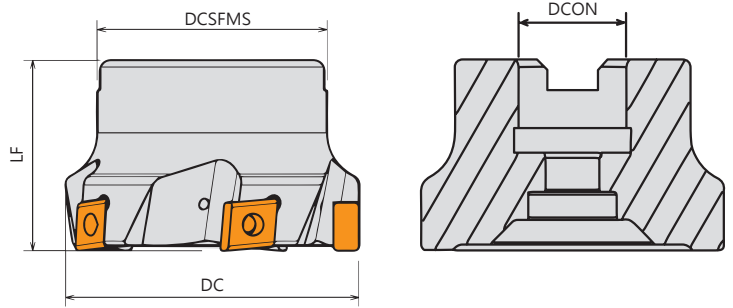


Positive/Axial Rake/Radial Rake

Order No.	Insert	Dimensions(mm)						Shim	Shim Screw	Locking Screw (R)	Locking Screw (L)	Wrench	
		刀徑 DC	夾持接觸面直徑 DCSFMS	長度 LF	孔徑 DCON DCON (inch)		刃數 I No.					FT-7	TW040
SF5063R/L	SF..1504	63	60	50	22	1"	4	SMS-53	CSA4009F	CS6-0823L	CS6-0823R	FT-7	TW040
SF5080R/L		80	65	50	27	1"	5						
SF5100R/L		100	77	50	32	1-1/4"	6						
SF5125R/L		125	90	63	40	1-1/2"	7						
SF5160R/L		160	129	65	40	2"	7						

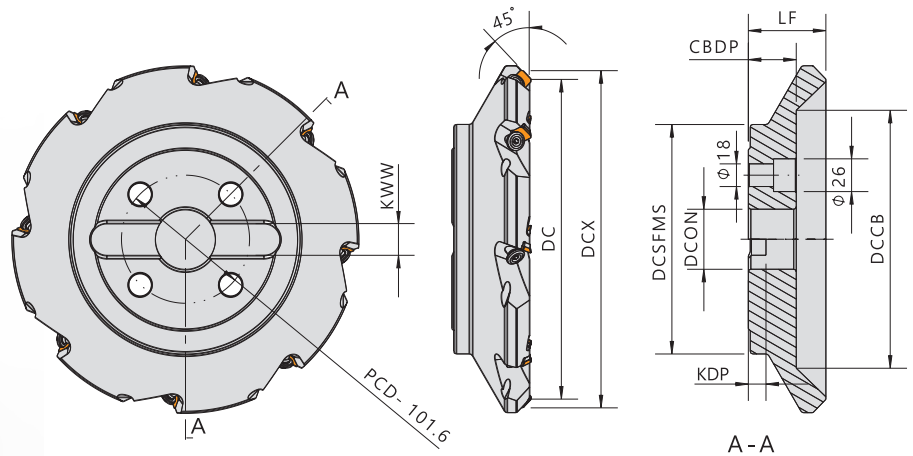
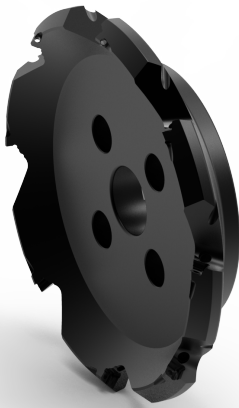


## F90CN



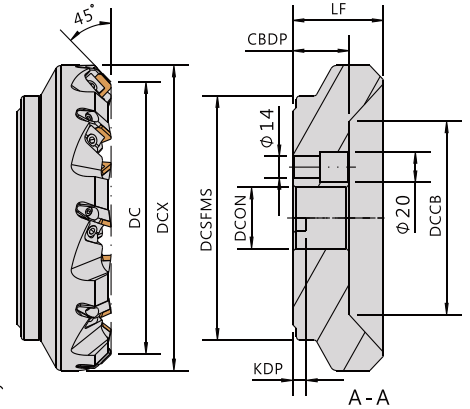
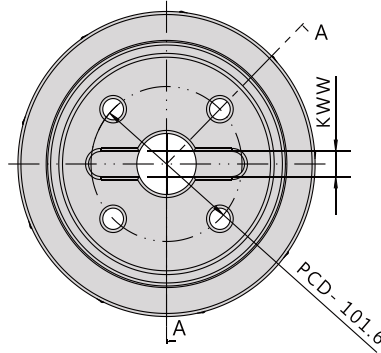
Order No.	Insert	Dimensions(mm)					Type	Screw	Wrench
		刀徑 DC	夾持接觸面直徑 DCSFMS	長度 LF	孔徑 DCON (inch)				
F90CN10-D40R	CNHX1005	40	35	40	16	-	TSCN10	CS40110	DT-15
F90CN10-D50R		50	45	40	22	-			
F90CN10-D63R		63	48	40	22	1"			
F90CN10-D80R		80	52	45	27	1"			
F90CN10-D100R		100	70	55	32	1-1/4"			

## SE4



Order No.	Insert	Dimensions(mm)					Shim	Shim Screw	Locking Screw (R)	Locking Screw (L)	Wrench	
		刀徑 DC	夾持接觸面直徑 DCSFMS	長度 LF	孔徑 DCON (inch)						I No.	
SE4-12506R/L	SEEN1203	125	148	55	1-1/2"		SMS-42	CSA4009F	CS6-0823L	CS6-0823R	FT-7	TW040
SE4-16008R/L		160	180	60	2"							
SE4-20010R/L		200	220	60	1-7/8"							
SE4-25012R/L		250	274	63	1-7/8"							
SE4-30514R/L		305	325	65	1-7/8"							
SE4-35616R/L		356	376	63	1-7/8"							

## SE445



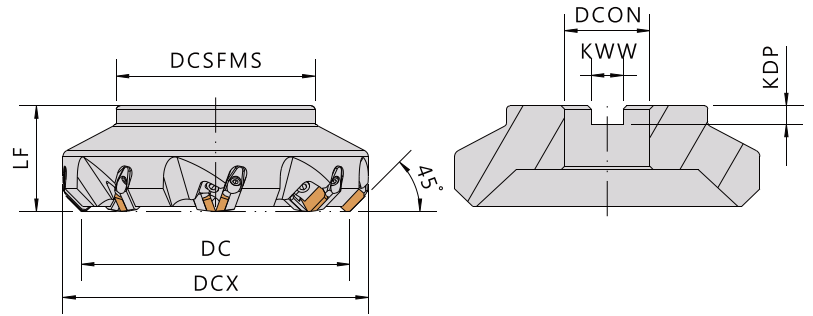
▼The biggest diameter 最大尺寸 : 450mm ▼The specifications can be customized 規格可接受訂製

Order No.	Insert	Dimensions(mm)						
		刀徑	最大刀徑	夾持接觸面直徑	長度	孔徑		刃數
Right / Left		DC	DCX	DCSFMS	LF	DCON	DCON (inch)	I NO.
SE445R/L6304	SE..1203	65	83	55	51	22/27	1"	4
SE445R/L0304		78	98	70	51	27	1"	4
SE445R/L0405		100	120	80	56	32	1-1/4"	5
SE445R/L0506		126	148	102	57	40	1-1/2"	6
SE445R/L0608		160	180	120	61	40	2"	8
SE445R/L0810		199	220	182	61	60	1-7/8"	10
SE445R/L1012		254	274	220	63	60	1-7/8"	12
SE445R/L1214(M)		305/315	325/335	278	63	60	1-7/8"	14
SE445R/L1416		356	376	326	63	60	1-7/8"	16
SE445R/L0306		78	98	70	51	27	1"	6
SE445R/L0407		100	120	80	56	32	1-1/4"	7
SE445R/L0509		126	148	102	57	40	1-1/2"	9
SE445R/L0611		160	180	120	61	40	2"	11
SE445R/L0814		199	220	182	61	60	1-7/8"	14
SE445R/L1018		254	274	220	63	60	1-7/8"	18
SE445R/L1222(M)		305/315	325/335	278	63	60	1-7/8"	22
SE445R/L1426		356	376	326	63	60	1-7/8"	26

Locator		Insert Clamp		Clamp Screw	Locator Screw	Washer	Wrench
SEL60-11	SEL60-11L	CP50-7	CP50-7L	CS70-1	CSH0412	CS70-3	TW040

Order No.	Dimensions(mm)					Shim	Shim Screw	Insert Clamp	Clamp Screw	Wrench
	刀徑	夾持接觸面直徑	長度	孔徑	刃數					
Right / Left	DC	DCSFMS	LF	DCON	I No.					
SE445R 5004S	50	60	40	22	4	SMS-42	CSA4009F	CP50-7	CS70-1	TW040

## SE545



▼The biggest diameter 最大尺寸 : 450mm

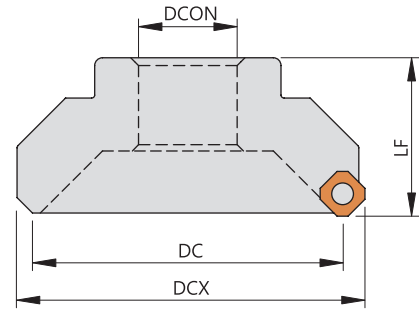
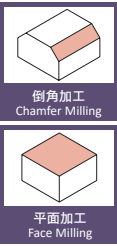
▼The specifications can be customized 規格可接受訂製

Order No.	Insert	Dimensions(mm)						
		刀徑	最大刀徑	夾持接觸面直徑	長度	孔徑		刃數
Right / Left		DC	DCX	DCSFMS	LF	DCON	▽DCON (inch)	I No.
SE545R/L0304	SE..1504	80	98	70	50	27	1"	4
SE545R/L0405		100	120	80	55	32	1-1/4"	5
SE545R/L0506		125	148	102	55	40	1-1/2"	6
SE545R/L0608		160	180	120	60	40	2"	8
SE545R/L0810		200	220	182	60	60	1-7/8"	10
SE545R/L1012		254	274	220	65	60	1-7/8"	12
SE545R/L1214		305	325	278	65	60	1-7/8"	14
SE545R/L1416		356	376	326	65	60	1-7/8"	16
SE545R/L0407		100	120	80	55	32	1-1/4"	7
SE545R/L0509		125	148	102	55	40	1-1/2"	9
SE545R/L0611		160	180	120	60	40	2"	11
SE545R/L0814		200	220	182	60	60	1-7/8"	14
SE545R/L1018		254	274	220	65	60	1-7/8"	18
SE545R/L1222		305	325	278	65	60	1-7/8"	22
SE545R/L1426		356	376	326	65	60	1-7/8"	26

Right / Left	Locator	Insert Clamp	Clamp Screw	Locator Screw	Washer	Wrench
R	SEL60-10	CP50-7	CS70-1	CSH0412	CS70-3	TW040
L	SEL60-10L	CP50-7L	CS70-1	CSH0412	CS70-3	TW040

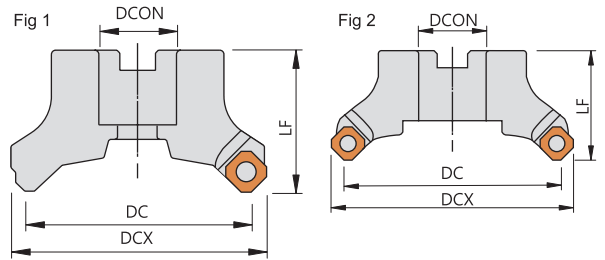
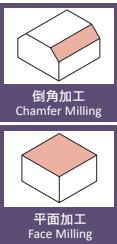


## F45SE12



Order No.	Insert	Dimensions(mm)						Screw	Wrench
		刀徑 DC	長度 LF	最大刀徑 DCX	孔徑 DCON		刃數 I No.		
Right / Left									
F45SE12-D050A04R/L	SEHW1204AF SEKT1204AF	50	40	60	22	-	4	CS45110	DBIT-T15
F45SE12-D063A05R/L		63	50	81	22	1"	5		
F45SE12-D080A06R/L		80	50	95	27	1"	6		
F45SE12-D100B06R/L		100	50	116	32	1-1/4"	6		
F45SE12-D125B07R/L		125	63	141	40	1-1/2"	7		
F45SE12-D160C10R/L		160	63	176	40	2"	10		

## F45SE13



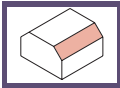
▼ Recommended Inserts 建議刀片品牌: SUMITOMO/MITSUBISHI/KENAMETAL

Order No.	Insert	Dimensions(mm)							
		刀徑 DC	長度 LF	最大刀徑 DCX	孔徑 DCON		刃數 I No.		
F45SE13-D040A03R/L	SEET13T3 SEMT13T3	40	40	53	16	-	-	3	-
F45SE13-D050A04R/L		50	40	63	22	-	3	4	5
F45SE13-D063A05R/L		63	50	76	22	1"	4	5	6
F45SE13-D080A06R/L		80	50	93	27	1"	4	6	8
F45SE13-D100B07R/L		100	50	113	32	1-1/4"	5	7	10
F45SE13-D125B08R/L		125	63	138	40	1-1/2"	6	8	12
F45SE13-D160B10R/L		160	63	173	40	2"	7	10	16
F45SE13-D200C12R/L		200	63	213	60	1-7/8"	8	12	20
F45SE13-D250C14R/L		250	63	263	60	1-7/8"	10	14	24

Insert Screw	Wrench	Shim	Shim Screw	Wrench
CS35119S	DBIT-T15/DBIT-T15L	SME-42	SN5356	LW035

ex.F45SE13-D063A04Rx22, F45SE13-D080B08Rx1"

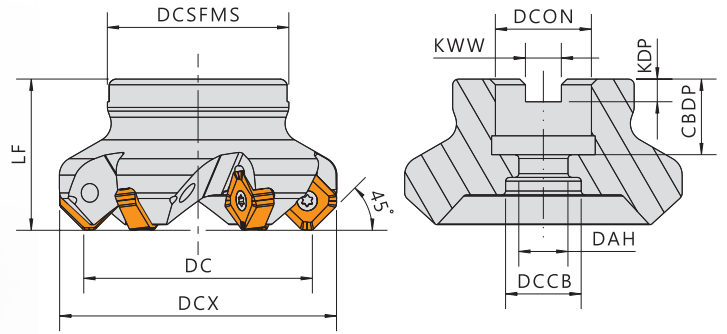
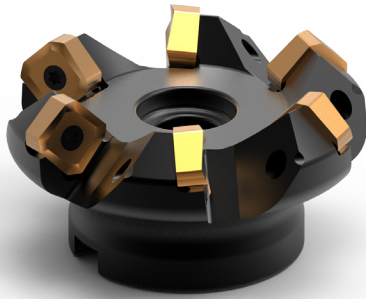
## F45SN13



倒角加工  
Chamfer Milling



平面加工  
Face Milling

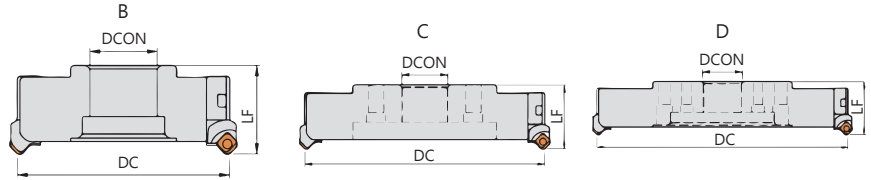
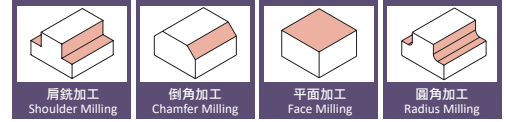


▼ Recommended Inserts 建議刀片品牌：ISCAR/ACC/WALTER

Order No.	Insert	Dimensions(mm)					Screw	Wrench	
		刀徑	長度	最大刀徑	孔徑				刃數
Right / Left		DC	LF	DCX	DCON	DCON (inch)	I No.		
F45SN13-05004	SNMX1205 SNEX1205 SNMU1205 ONMU1205	50	40	63	22	-	4	CSR5014	DBIT-T15
F45SN13-06306		63	40	76	22	1"	6		
F45SN13-08007		80	50	93	27	1"	7		
F45SN13-10008		100	50	113	32	1-1/4"	8		
F45SN13-12510		125	63	138	40	1-1/2"	10		
F45SN13-16012		160	63	173	40	2"	12		
F45SN13-20014		200	63	213	60	1-7/8"	14		
F45SN13-25016		250	63	263	60	1-7/8"	16		

## 鋁合金本體

FACE MILL INTERCHANGEABLE CASSETTES  
HIGH-STRENGTH ALUMINIUM BODY FOR EASY  
AND PRECISE ADJUSTMENT.



Order No.	Dimensions(mm)				
	刀徑 DC	長度 LF	孔徑		刃數 I No.
F125B06R-Cassettes	125	65	40	1-1/2"	6
F160B08R-Cassettes	160	65	40	2"	8
F200C10R-Cassettes	200	65	60	1-7/8"	10
F250C14R-Cassettes	250	65	60	1-7/8"	14
F315D16R-Cassettes	315	73	60	1-7/8"	16
F360D18R-Cassettes	360	73	60	1-7/8"	18

Order No.	Insert	Insert Clamp Screw	Insert Wrench
Right / Left			
 S45SE12	SEHW1204 SEKT1204	CS45110	DBIT-T15
 S90AP16	SUMITOMO APMT1605	CS35090	DBIT-T15
 S90AP1604	MITSUBISHI APMT1604	CS40090	DBIT-T15
 SMORP12	MITSUBISHI RPMT1204	CS35090	DBIT-T15
 S75SP12	SPMN1203	CP50-26 CS7-5018	LW030

PARTS	Clamp Screw	Micro Adjusting Pin	Cassettes Clamp	Lock Screw	Wrench
	CS70-12	AP-01	CP50-9	CS7-6016	LW025

# 側銑刀

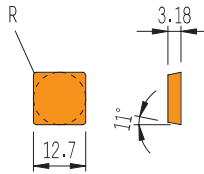
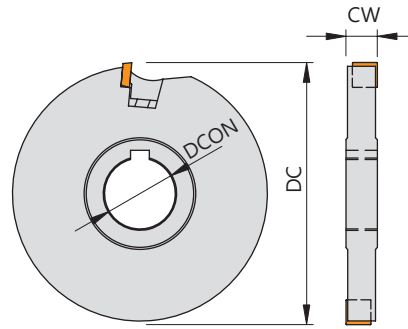
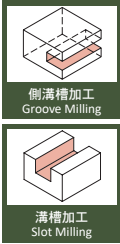
SIDE MILLS



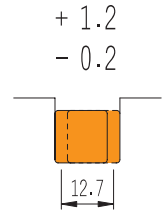
Since 1976



## TSSP4



Positive  
For indexable inserts  
SP 1203



Machine ste Cast iron.  
Non-ferrous application.  
General purpose cutter.  
Can be used as double side mills.  
Can be adjustable for -0.2mm to +1.2mm

▼Recommended Inserts 建議刀片品牌：SUMITOMO

Order No.	Insert	Dimensions(mm)				Insert Clamp	Locking Screw	Clamp Screw	Wrench
		刀徑 DC	切寬 CW	孔徑 DCON					
Right / Left									
TSSP410016	SP..1203	100	16	27	1"	CP50-9	CS7-6016	CS70-7	LW020 LW025 LW030
TSSP410018		100	18	27	1"				
TSSP412516		125	16	32	1-1/4"				
TSSP412518		125	18	32	1-1/4"				
TSSP412520		125	20	32	1-1/4"				
TSSP416016		160	16	32	1-1/4"				
TSSP416018		160	18	32	1-1/4"				
TSSP416020		160	20	32	1-1/4"				
TSSP417516		175	16	40	1-1/2"				
TSSP417518		175	18	40	1-1/2"				
TSSP417520		175	20	40	1-1/2"				
TSSP420016		200	16	40	1-1/2"				
TSSP420018		200	18	40	1-1/2"				
TSSP420020		200	20	40	1-1/2"				
TSSP425016		250	16	50	2"				
TSSP425018		250	18	50	2"				
TSSP425020		250	20	50	2"				

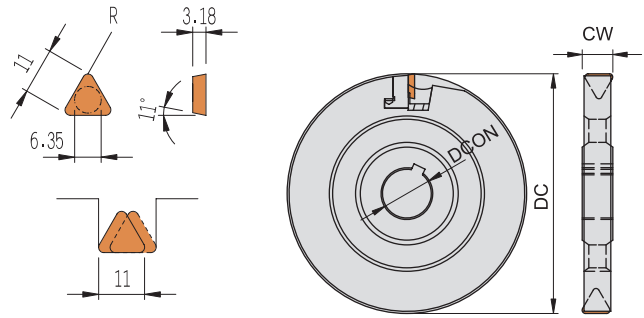
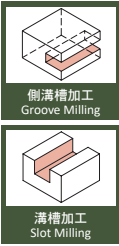
▼Inserts 刀片：

●=Stock / ◎=1st Choice 首選 / ○=2nd Choice 次選 / X=Not Recommend 不建議

Tolerance Class 精度	P	鋼 Carbon Steels		◎					
	M	不鏽鋼 Stainless Steels			◎				
M級	K	鑄鐵 Cast Iron	◎						
Specification 規格			Grade 材質			Dimensions(mm) 尺寸			
			AK201	AP251	TM351	IC	t	α	r
	SPMN120308		●	●	●	12.7	3.18	11	0.8



## TSTP2

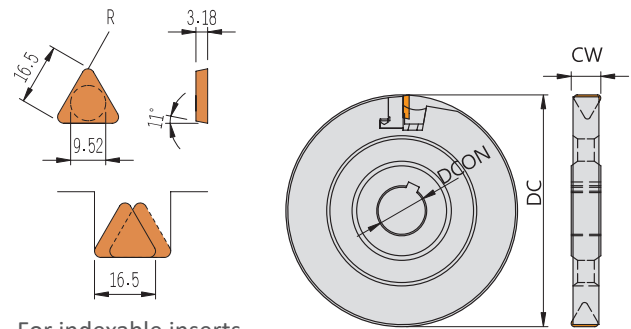


For indexable inserts  
TPAN1103PPN

▼Recommended Inserts 建議刀片品牌: KENNAMETAL/WIDIA

Order No.	Insert	Dimensions(mm)					Locator		Locator Screw	Clamp	Clamp Screw	Wrench
		刀徑 DC	切寬 CW	孔徑 DCON		刃數 I No.	(R)	(L)				
TSTP208012	TP..1103	80	12	27	1"	6	TSL60-12	TSL60-13	CS9-3003 CS9-3006	CP50-6	CS7-6016	LW030 LW015
TSTP210012		100	12	27	1"	8						
TSTP212512		125	12	32	1-1/4"	10						
TSTP216012		160	12	32	1-1/4"	12						

## TSTP3

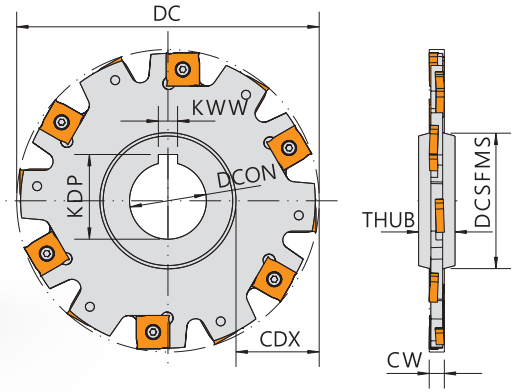
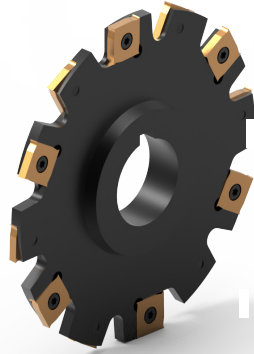
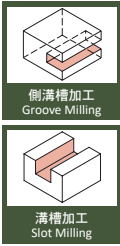


For indexable inserts  
TPAN1603PPN

▼Recommended Inserts 建議刀片品牌: KENNAMETAL/WIDIA

Order No.	Insert	Dimensions(mm)					Locator		Locator Screw	Clamp	Clamp Screw	Wrench
		刀徑 DC	切寬 CW	孔徑 DCON		刃數 I No.	(R)	(L)				
TSTP310016	TP..1603	100	16	27	1"	6	TSL60-14	TSL60-15	CS9-4003 CS9-4012	CP50-9	CS7-6016	LW030 LW020
TSTP310018		100	18	27	1"	6						
TSTP312516		125	16	32	1-1/4"	8						
TSTP312518		125	18	32	1-1/4"	8						
TSTP312520		125	20	32	1-1/4"	8						
TSTP316016		160	16	32	1-1/4"	10						
TSTP316018		160	18	32	1-1/4"	10						
TSTP316020		160	20	32	1-1/4"	10						
TSTP320018		200	18	40	1-1/2"	12						
TSTP320020		200	20	40	1-1/2"	12						
TSTP325018		250	18	50	2"	16						
TSTP325020		250	20	50	2"	16						

## TSSN



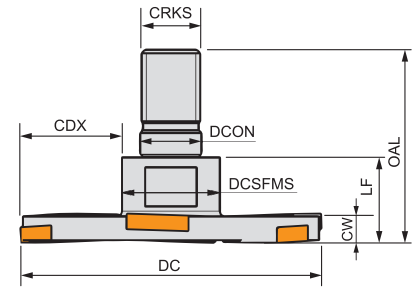
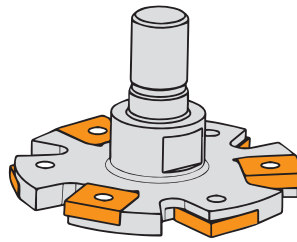
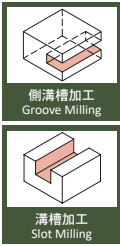
▼The biggest diameterer 最大尺寸 : 350mm

▼The specifications can be customized 規格可接受訂製

Order No.	Insert	Dimensions(mm)								Clamp Screw	Wrench
		刀徑	最大切深	厚度	切寬	夾持接觸面直徑	孔徑		刃數		
Right / Left		DC	CDX	THUB	CW	DCSFMS	DCON	DCON(inch)	I No.		
TSSN11020-08004	SNHX1102	80	18	12	4	44	27	1"	10	CSA30035L	DT-7
TSSN11020-10004		100	27	12	4	45	27	1"	12		
TSSN11020-12504		125	33	12	4	58	40	1-1/2"	14		
TSSN11020-16004		160	46	12	4	68	40	1-1/2"	18		
TSSN11030-08005	SNHX1103	80	18	12	5	44	27	1"	10	CSA30042	DT-7
TSSN11030-10005		100	27	12	5	45	27	1"	12		
TSSN11030-12505		125	33	12	5	55	40	1-1/2"	14		
TSSN11030-16005		160	46	12	5	68	40	1-1/2"	18		
TSSN12030-10006	SNHX1203	100	27	12	6	45	27	1"	10	CSA40051	DT-15
TSSN12030-12506		125	33	12	6	55	40	1-1/2"	12		
TSSN12030-16006		160	46	12	6	68	40	1-1/2"	16		
TSSN12030-20006		200	61	12	6	78	50	2"	18		
TSSN12030-25006		250	82	12	6	86	50	2"	24		
TSSN12040-10007	SNHX1204	100	27	12	7	45	27	1"	10	CSA40059	DT-15
TSSN12040-12507		125	33	12	7	55	40	1-1/2"	12		
TSSN12040-16007		160	46	12	7	68	40	1-1/2"	16		
TSSN12040-20007		200	61	12	7	78	50	2"	18		
TSSN12040-25007		250	82	12	7	86	50	2"	24		
TSSN12050-10010	SNHX1205	100	27	12	10	45	27	1"	10	CSA40079	DT-7
TSSN12050-12510		125	33	12	10	55	40	1-1/2"	12		
TSSN12050-16010		160	46	12	10	68	40	1-1/2"	16		
TSSN12050-20010		200	61	12	10	78	50	2"	18		
TSSN12050-25010		250	82	12	10	86	50	2"	24		

## MICSN

### 鎖牙式側銑刀



- ▼The smallest diameter 最小尺寸：40mm
- ▼The specifications can be customized 規格可接受訂製
- ▼Recommended Inserts 建議刀片品牌：ACC

Insert type 適用刀片：SNHX1102

Order No.	Dimensions(mm)									Clamp Screw	Wrench
	刀徑 DC	切寬 CW	最大切深 CDX	夾持接觸面直徑 DCSFMS	孔徑 DCON	螺紋 CRKS	長度 LF	總長 OAL	刃數 I No.		
MICSN04004	40	4	12	12	8.5	M8	15.5	17	4	CSA30035L	FT-7
MICSN05004	50	4	16	16	10.5	M10	15.5	19	6		
MICSN06304	63	4	20	20	12.5	M12	15.5	22	8		
MICSN08004	80	4	26	25	17	M16	15.5	23	10		

Insert type 適用刀片：SNHX1103

MICSN04005	40	5	12	12	8.5	M8	16.5	17	4	CSA30042	FT-7
MICSN05005	50	5	16	16	10.5	M10	16.5	19	6		
MICSN06305	63	5	20	20	12.5	M12	16.5	22	8		
MICSN08005	80	5	26	25	17	M16	16.5	23	10		

Insert type 適用刀片：SNHX1203

MICSN05006	50	6	16	16	10.5	M10	17.5	19	4	CSA40051	FT-15
MICSN06306	63	6	20	20	12.5	M12	17.5	22	6		
MICSN08006	80	6	26	25	17	M16	17.5	23	8		

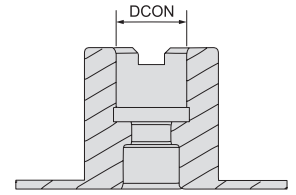
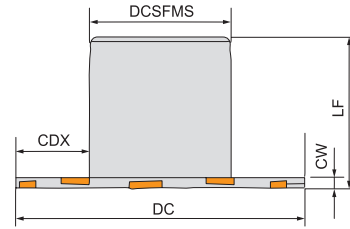
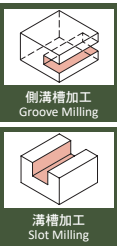
Insert type 適用刀片：SNHX1204

MICSN05007	50	7	16	16	10.5	M10	18.5	19	4	CSA40059	FT-15
MICSN06307	63	7	20	20	12.5	M12	18.5	22	6		
MICSN08007	80	7	26	25	17	M16	18.5	23	8		

Insert type 適用刀片：SNHX1205

MICSN05010	50	10	16	16	10.5	M10	19.5	19	4	CSA40079	FT-15
MICSN06310	63	10	20	20	12.5	M12	19.5	22	6		
MICSN08010	80	10	26	25	17	M16	19.5	23	8		

## NTSSN



▼Recommended Inserts 建議刀片品牌：ACC  
Insert type 適用刀片：SNHX1102

▼The specifications can be customized 規格可接受訂製

Order No.	Dimensions(mm)								Clamp Screw	Wrench	
	Right / Left	刀徑 DC	切寬 CW	最大切深 CDX	長度 LF	夾持接觸面直徑 DCSFMS	孔徑 DCON DCON(inch)				刃數 I No.
NTSSN08004		80	4	19	40	40	22	-	10	CSA30035L	FT-7
NTSSN10004		100	4	25	40	48	27	1"	12		
NTSSN12504		125	4	32	50	58	32	1-1/4"	14		
NTSSN16004		160	4	45	50	70	40	1-1/2"	18		
NTSSN20004		200	4	55	50	88	40	1-1/2"	20		

Insert type 適用刀片：SNHX1103

NTSSN08005	80	5	19	40	40	22	-	10	CSA30042	FT-7
NTSSN10005	100	5	25	40	48	27	1"	12		
NTSSN12505	125	5	32	50	58	32	1-1/4"	14		
NTSSN16005	160	5	45	50	70	40	1-1/2"	18		
NTSSN20005	200	5	55	50	88	40	1-1/2"	20		

Insert type 適用刀片：SNHX1203

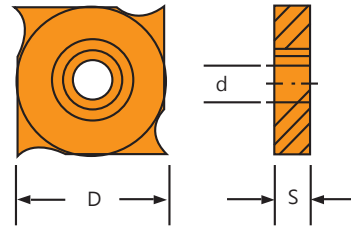
NTSSN08006	80	6	19	40	40	22	-	8	CSA40051	FT-15
NTSSN10006	100	6	25	40	48	27	1"	10		
NTSSN12506	125	6	32	50	58	32	1-1/4"	12		
NTSSN16006	160	6	45	50	70	40	1-1/2"	16		
NTSSN20006	200	6	55	50	88	40	1-1/2"	18		

Insert type 適用刀片：SNHX1204

NTSSN08007	80	7	19	40	40	22	-	8	CSA40059	FT-15
NTSSN10007	100	7	25	40	48	27	1"	10		
NTSSN12507	125	7	32	50	58	32	1-1/4"	12		
NTSSN16007	160	7	45	50	70	40	1-1/2"	16		
NTSSN20007	200	7	55	50	88	40	1-1/2"	18		

Insert type 適用刀片：SNHX1205

NTSSN08010	80	10	19	40	40	22	-	8	CSA40079	FT-15
NTSSN10010	100	10	25	40	48	27	1"	10		
NTSSN12510	125	10	32	50	58	32	1-1/4"	12		
NTSSN16010	160	10	45	50	70	40	1-1/2"	16		
NTSSN20010	200	10	55	50	88	40	1-1/2"	18		

**SNHX**  
側銑刀片


## ▼ Inserts 刀片：

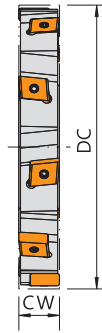
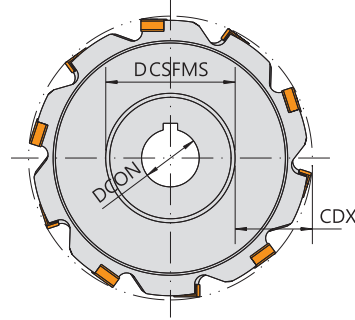
●=Stock / ◎=1st Choice 首選 / ○=2nd Choice 次選 / ✕=Not Recommend 不建議

P	鋼 Carbon Steels	◎						
M	不鏽鋼 Stainless Steels	○		◎				
K	鑄鐵 Cast Iron					◎		
N	鋁合金 Aluminum Alloys		◎					
S	高溫合金 Superalloys	○						
Specification 規格	Dimensions(mm) 尺寸			Grade 材質				Clamp Screw
Insert	s	D	d	AK100/AK101	K110M	TM150	TH200	
SNHX1102-G/H	2.3	11.0	4	●	●	●	●	CSA30035
SNHX1103-G/H	2.7	11.0	5	●				CSA30042
SNHX11032-G/H	3.2	11.0	5.5/6			●		CSA30042
SNHX1203-G/H	3.2	12.7	6	●	●		●	CSA40051
SNHX1204-G/H	4.0	12.7	7					CSA40059
SNHX12045-G/H	4.5	12.7	7.5/8					CSA40069
SNHX1205-G/H	5.4	12.7	10	●	●		●	CSA40089
SNHX1207-G/H	7.0	12.7	12				●	CSA40105

-G : general cutting -H : heavy cutting



## TSCN



▼The specifications can be customized 規格可接受訂製

▼Recommended Inserts 建議刀片品牌: KENNAMETAL/ACC

Insert type 適用刀片: CNHU1005 / Acceptable Customized Thickness 可訂製厚度: 12-18mm

Order No.	Dimensions(mm)						
	刀徑	切寬	最大切深	夾持接觸面直徑	孔徑		刃數
Right / Left	DC	CW	CDX	DCSFMS	DCON	DCON(inch)	I No.
TSCN10-08014	80	14	18	44	27	1"	6
TSCN10-10014	100	14	26	48	27	1"	8
TSCN10-12514	125	14	35	55	32	1-1/4"	10
TSCN10-16014	160	14	46	68	40	1-1/2"	12
TSCN10-20014	200	14	61	78	50	2"	16
TSCN10-25014	250	14	82	86	50	2"	20

Insert type 適用刀片: CNHU1205 / Acceptable Customized Thickness 可訂製厚度: 15-22mm

Order No.	Dimensions(mm)						
	刀徑	切寬	最大切深	夾持接觸面直徑	孔徑		刃數
Right / Left	DC	CW	CDX	DCSFMS	DCON	DCON(inch)	I No.
TSCN12-08018	80	18	18	44	27	1"	6
TSCN12-10018	100	18	26	48	27	1"	8
TSCN12-12518	125	18	35	55	32	1-1/4"	10
TSCN12-16018	160	18	46	68	40	1-1/2"	12
TSCN12-20018	200	18	61	78	50	2"	16
TSCN12-25018	250	18	82	86	50	2"	20

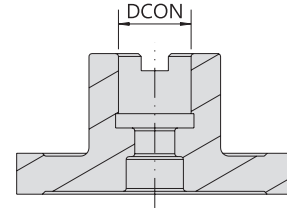
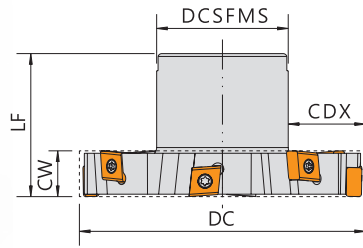
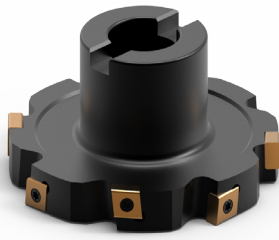
Insert type 適用刀片: CNHU1606 / Acceptable Customized Thickness 可訂製厚度: 20-29mm

Order No.	Dimensions(mm)						
	刀徑	切寬	最大切深	夾持接觸面直徑	孔徑		刃數
Right / Left	DC	CW	CDX	DCSFMS	DCON	DCON(inch)	I No.
TSCN16-08022	80	22	18	44	27	1"	6
TSCN16-10022	100	22	26	48	27	1"	8
TSCN16-12522	125	22	35	55	32	1-1/4"	10
TSCN16-16022	160	22	46	68	40	1-1/2"	12
TSCN16-20022	200	22	61	78	50	2"	16
TSCN16-25022	250	22	82	86	50	2"	20

Order example: TSCN10-08014 x1"

ap (mm)	Insert	L (mm)	Screw	Wrench
13 ~ 17	CNHU1005 / CNHQ1005	10.0	CS40110	DT-15
17 ~ 21	CNHU1205 / CNHQ1205	12.7	CS40110	DT-15
21 ~ 30	CNHU1606 / CNHQ1606	16.0	CS50130	DT-20

## NTSCN



▼Recommended Inserts 建議刀片品牌：KENNAMETAL/ACC

Insert type 適用刀片：CNHU1005 / Acceptable Customized Thickness 可訂製厚度：12-18mm

Order No.	Dimensions(mm)							
Right / Left	刀徑	切寬	最大切深	長度	夾持接觸面直徑	孔徑		刃數
	DC	CW	CDX	LF	DCSFMS	DCON	DCON(inch)	I No.
NTSCN10-08016	80	16	15	50	48	27	1"	6
NTSCN10-10016	100	16	25	50	48	27	1"	8
NTSCN10-12516	125	16	32	50	58	32	1-1/4"	10
NTSCN10-16016	160	16	43	50	70	40	1-1/2"	12
NTSCN10-20016	200	16	55	50	88	40	1-1/2"	16
NTSCN10-25016	250	16	68	50	112	60	2"	20

Insert type 適用刀片：CNHU1205 / Acceptable Customized Thickness 可訂製厚度：15-22mm

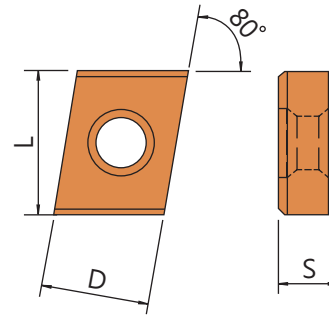
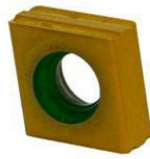
Order No.	Dimensions(mm)							
Right / Left	刀徑	切寬	最大切深	長度	夾持接觸面直徑	孔徑		刃數
	DC	CW	CDX	LF	DCSFMS	DCON	DCON(inch)	I No.
NTSCN12-08020	80	20	15	50	48	27	1"	6
NTSCN12-10020	100	20	25	50	48	27	1"	8
NTSCN12-12520	125	20	32	50	58	32	1-1/4"	10
NTSCN12-16020	160	20	43	50	70	40	1-1/2"	12
NTSCN12-20020	200	20	55	50	88	40	1-1/2"	16
NTSCN12-25020	250	20	68	50	112	60	2"	20

Insert type 適用刀片：CNHU1606 / Acceptable Customized Thickness 可訂製厚度：20-29mm

Order No.	Dimensions(mm)							
Right / Left	刀徑	切寬	最大切深	長度	夾持接觸面直徑	孔徑		刃數
	DC	CW	CDX	LF	DCSFMS	DCON	DCON(inch)	I No.
NTSCN16-08024	80	24	15	50	48	27	1"	6
NTSCN16-10024	100	24	25	50	48	27	1"	8
NTSCN16-12524	125	24	32	50	58	32	1-1/4"	10
NTSCN16-16024	160	24	43	50	70	40	1-1/2"	12
NTSCN16-20024	200	24	55	50	88	40	1-1/2"	16
NTSCN16-25024	250	24	68	50	112	60	2"	20

Order example:NTSCN10-08014x1"

Type	Insert	Screw	Wrench
NTSCN10	CNHU1005	CS40110	DT-15
NTSCN12	CNHU1205	CS40110	DT-15
NTSCN16	CNHU1606	CS50130	DT-20

**CNHU**  
側銑刀片


## ▼ Inserts 刀片：

●=Stock / ◎=1st Choice 首選 / ○=2nd Choice 次選 / X=Not Recommend 不建議

P	鋼 Carbon Steels	◎						
M	不鏽鋼 Stainless Steels	○	◎					
K	鑄鐵 Cast Iron			◎				
N	鋁合金 Aluminum Alloys							
S	高溫合金 Superalloys	○						
Specification 規格	Dimensions(mm) 尺寸				Grade 材質			
Insert	L	D	S	r	c	AK100	TM150	TH200
CNHU1005	10.00	10.06	5.4	-	0.2		●	
CNHU1005R04	10.00	10.06	5.4	0.4	-	●	●	
CNHU1005R08	10.00	10.06	5.4	0.8	-	●	●	
CNHU1005R16	10.00	10.06	5.4	1.6	-		●	
CNHU1205	12.70	10.06	5.4	-	0.2			
CNHU1205R04	12.70	10.06	5.4	0.4	-	●		
CNHU1205R08	12.70	10.06	5.4	0.8	-	●	●	
CNHU1205R12	12.70	10.06	5.4	1.2	-	●		
CNHU1205R16	12.70	10.06	5.4	1.2	-			
CNHU1205R36	12.70	10.06	5.4	3.6	-	●		
CNHU1606	16.00	12.06	5.4	-	0.2		●	
CNHU1606R08	16.00	12.06	5.4	0.8	-		●	
CNHU1606R16	16.00	12.06	5.4	1.6	-		●	
CNHU1606R24	16.00	12.06	5.4	2.4	-			
CNHU1606R32	16.00	12.06	5.4	3.2	-			
CNHX1005R	10.00	10.06	5.4	-	0.2		●	
CNHX100504R	10.00	10.03	5.4	0.4	-			
CNHX100508R	10.00	10.06	5.4	0.8	-		●	
CNHU100516R	10.00	10.06	5.4	1.6	-		●	

CNHU : TSCN side milling

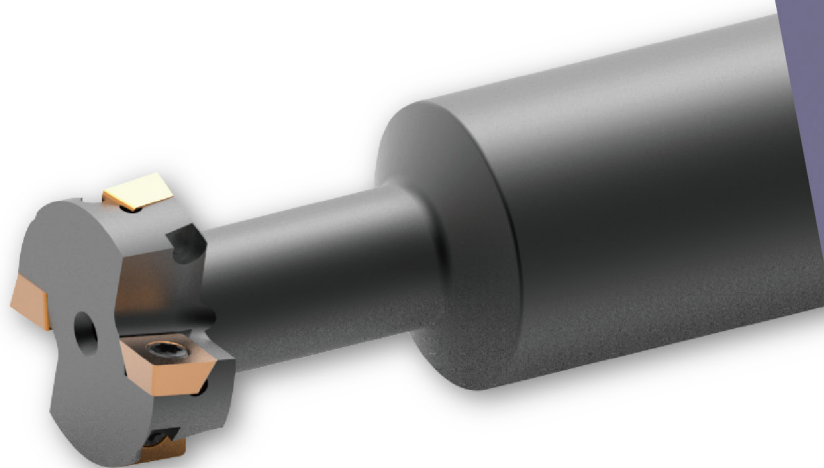
CNHX : F90CN10 shell end milling / face milling

# T型銑刀

SIDE MILLS

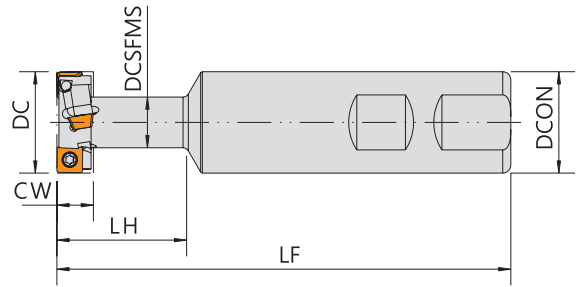
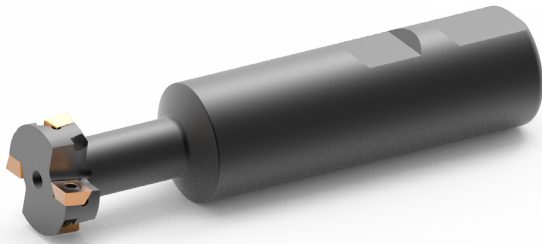
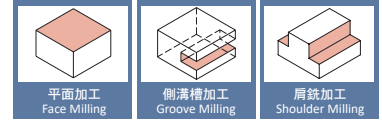


Since 1976



## ETS

### T-SLOT END MILLS



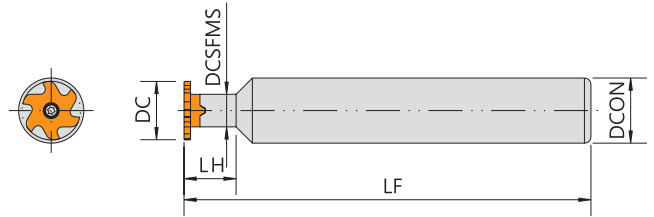
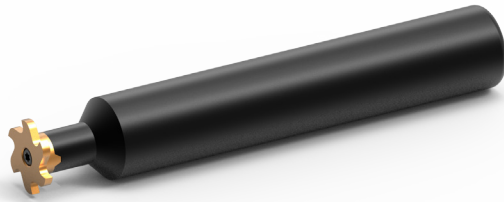
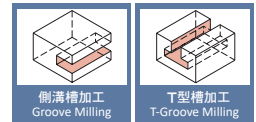
▼Recommended Inserts 建議刀片品牌：KENNAMETAL/KYOCERA/ACC

Order No.	Insert	Dimensions(mm)							Parts	Wrench
		刀徑	柄徑	裝夾接觸面直徑	切寬	長度	頭長	刃數		
Right / Left		DC	DCON	DCSFMS	CW	LF	LH	I No.		
ETS2008-S25	SDMT060304E-K	20	25	10.5	8	110	29	2	CS25065 / CS25062S	DBIT-T8
ETS2009-S25		20	25	11.5	9	110	30	2		
ETS2109-S25		21	25	10.5	9	110	29	2		
ETS2209-S25		22	25	12.5	9	110	29	2		
ETS2210-S25		22	25	12	10	110	30	2		
ETS2410-S25		24	25	12	10	110	30	2		
ETS2509-S25		25	25	12.5	9	112	32	4		
ETS2511-S25		25	25	12.5	11	112	32	4		
ETS3011-S25		30	25	15.5	11	120	38	4		
ETS3014-S25	SDMT080308E-K	30	25	15.5	14	120	38	4	CS30070	DBIT-T10
ETS3214-S32		32	32	15.5	14	120	38	4		
ETS4018-S32	SDMT120408E-K	40	32	20.5	18	130	50	4	CS40090	DBIT-T15
ETS5022-S32		50	32	26.5	22	140	60	4		



## EM618

### T-SLOT END MILLS



▼Recommended Inserts 建議刀片品牌：ACC

Order No.	Insert	Dimensions(mm)					Parts	Wrench
		刀徑	裝夾接觸面直徑	柄徑	長度	頭長		
Right / Left		DC	DCSFMS	DCON	LF	LH		
EM618-S12-100	M618	17.7	9	12	100	12	CS4012P	DBIT-T15
EM618-S16-125		17.7	9	16	125	16		

▼Inserts 刀片：

●=Stock / ◎=1st Choice 首選 / ○=2nd Choice 次選 / X=Not Recommend 不建議

Tolerance Class 精度	P	鋼 Carbon Steels	◎	◎			
	M	不鏽鋼 Stainless Steels	◎	○			
M級	K	鑄鐵 Cast Iron	◎				
Specification 規格			Grade 材質		Dimensions(mm) 尺寸		
Insert			RK100	AK100	ap	T	ae
M618.150.00			●	●	1.5	4.9	3
M618.200.00			●	●	2.0	4.9	3
M618.250.00			●	●	2.5	4.9	3
M618.300.00			●	●	3.0	4.9	3