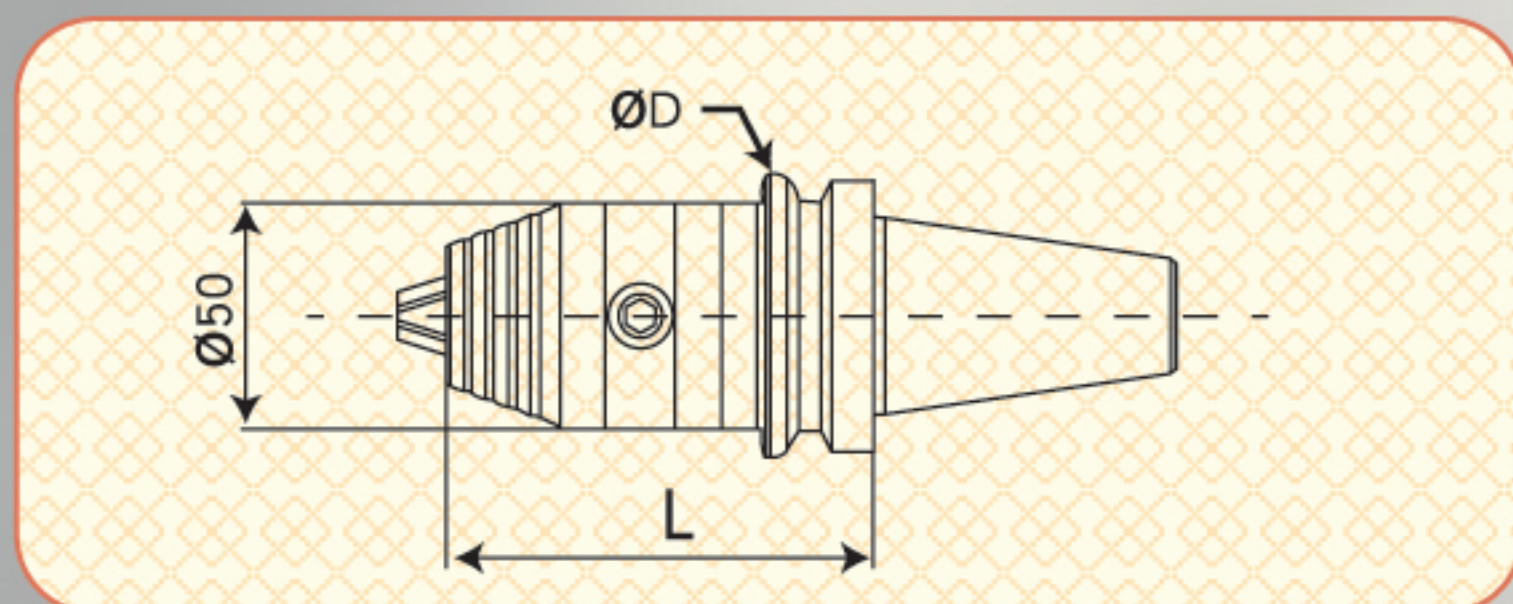


BT 齒輪式夾頭 BT HEX KEY DRILL CHUCK

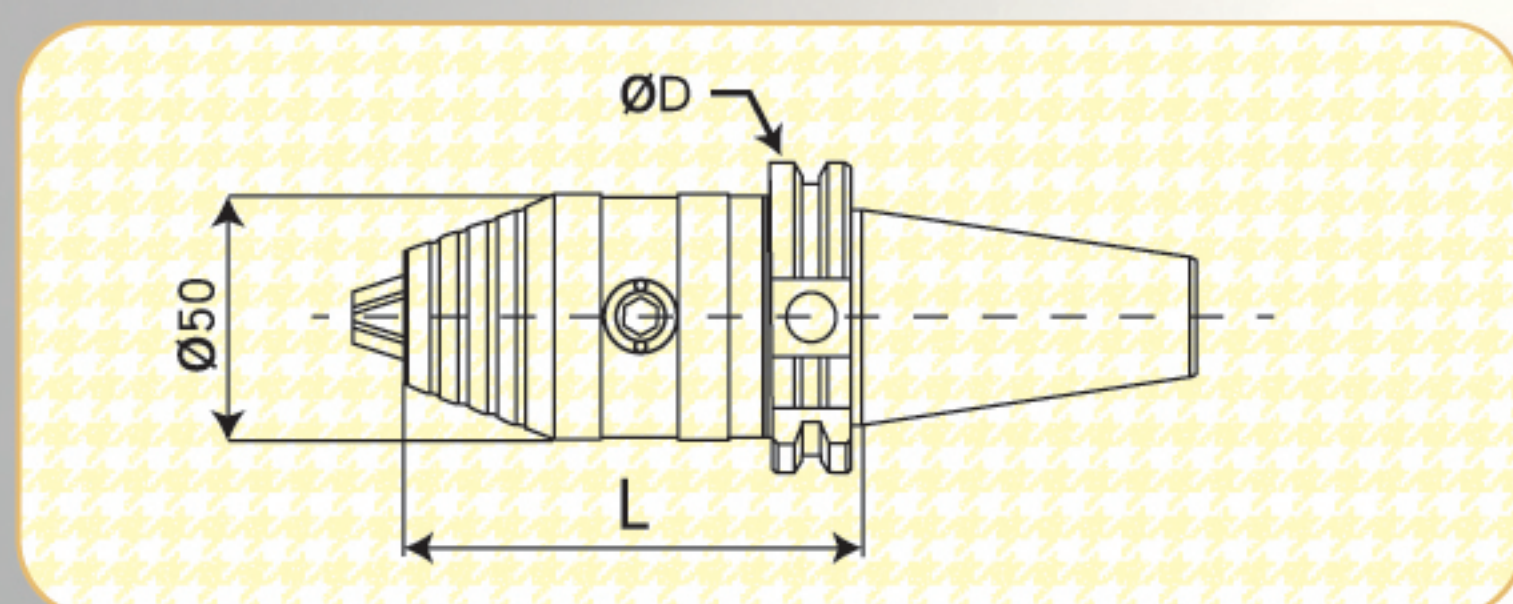
#225



型號 Code No.	規格 Type	夾持範圍Capacity		重量 Weight (g)
		mm	inch	
225413	BT40-GHK13S-98	0.3-13	1/64-1/2	1705
225416	BT40-GHK16S-103	1.5-16	1/16-5/8	1715
225513	BT50-GHK13S-109	0.3-13	1/64-1/2	4100
225516	BT50-GHK16S-114	1.5-16	1/16-5/8	4110

SK 齒輪式夾頭 SK HEX KEY DRILL CHUCK

#235



型號 Code No.	規格 Type	夾持範圍Capacity		重量 Weight (g)
		mm	inch	
235413	SK40-GHK13S-90	0.3-13	1/64-1/2	1550
235416	SK40-GHK16S-95	1.5-16	1/16-5/8	1565
235513	SK50-GHK13S-90	0.3-13	1/64-1/2	3950
235516	SK50-GHK16S-95	1.5-16	1/16-5/8	3965

齒輪式夾頭 HEX KEY DRILL CHUCK

#133



- 1.適合中高低轉速使用。
- 2.輕鬆夾緊鑽頭，絲攻，銑刀。
- 3.夾緊力可靠、信賴。
- 4.夾緊力可達400-800kg-cm。
- 5.鍍鈦爪設計，增加耐磨功能。
- 6.可正反轉。
- 7.中心出水。
- 8.精度佳。

Arbor structure makes its performance perfect for drilling press and machine center. Fine components ensure the tolerance and accuracy well. The benefit of titanium jaws it to increase the intensity and wear-resistance.

Code No.	Size	Capacity		Taper & Thread Mount No. DIN or Jacobs	Length (mm)		Weight (g)
		mm	inch		Open	Closed	
133013	GHK13S	0.3-13	1/64-1/2	JT6	94	105	988
133016	GHK16S	1.5-16	1/16-5/8	JT6	104	113	990
133013-1	GHK13S	0.3-13	1/64-1/2	B16	95	115	1000
133016-1	GHK16S	1.5-16	1/16-5/8	B16	104	112	1280

MT (MORSE TAPER) 齒輪式 HEX KEY DRILL CHUCKS ARBOR TYPE



型號 Code No.	規格 Type	夾持範圍Capacity		L
		mm	inch	
13302	MT2-GHK13S	0.3-13	1/64-1/2	83
13303	MT3-GHK13S	0.3-13	1/64-1/2	88
13303-16	MT3-GHK16S	1.5-16	1/16-5/8	93
13304	MT4-GHK13S	0.3-13	1/64-1/2	89
13304-16	MT4-GHK16S	1.5-16	1/16-5/8	94

D (STRAIGHT SHANK) 齒輪式 HEX KEY DRILL CHUCKS ARBOR TYPE



型號 Code No.	規格 Type	夾持範圍Capacity		全長 L	柄長 L1
		mm	inch		
13320	D20-GHK13S	0.3-13	1/64-1/2	133	50
13320-16	D20-GHK16S	1.5-16	1/16-5/8	138	50
13325	D25-GHK13S	0.3-13	1/64-1/2	138	56
13325-16	D25-GHK16S	1.5-16	1/16-5/8	143	56
13332	D32-GHK13S	0.3-13	1/64-1/2	153	70
13332-16	D32-GHK16S	1.5-16	1/16-5/8	158	70