



## ZX-Speed 3D Tool Setting Probe



Tool Measurement



Hardwired



Multidirectional



Wear-free Measuring Mechanism



Tool Breakage Detection



Tool Length Measurement



Tool Radius Measurement



Axes Compensation



# 3D Tool Setting Probe ZX-Speed

**BLUM**  
focus on productivity



# ZX-Speed | 3D Tool Setting Probe | Tactile tool setting system with cable connection

## 3D tool setting probe for precise tool measurement

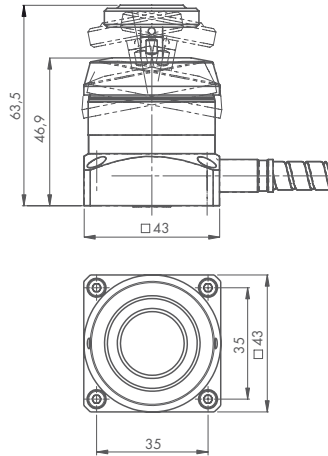
- Tool breakage detection
- Tool length measurement
- Tool radius measurement
- Axes compensation

### Your benefit:

- Reliable measurement with a wide range of tool types and sizes
- Superior precision due to latest measuring mechanism technology
- No subsequent damage due to tool breakage
- Fast ROI
- Compact and robust design

### Optoelectronic measuring mechanism

- Skip signal is generated via shading of an interior miniature light barrier
- Wear-free signal generation
- Enables higher measuring speeds and accuracy than with conventional probes



Tool radius measurement



Tool length measurement



Optional nozzle for tool cleaning

### Technical data

Protection class	IP68
Output	12 ... 30 V/50 mA
Approach direction	$\pm X, \pm Y, -Z$
Measuring force in XY   Z	1.7 N   3.0 N
Max. deflection in XY   Z	$\pm 11^\circ$   6 mm
Repeatability	0.4 $\mu\text{m}$ 2 $\sigma$
Max. probing speed	2 m/min
Min. tool diameter	1 mm *
Mass	700 g (incl. 10 m cable)

\* Depending on geometry and material of tool. Probing force must not result in damage of tool

**BLUM**  
focus on productivity

### Blum worldwide Service & Support

More than 40 subsidiaries and service offices.

[www.blum-novotest.com](http://www.blum-novotest.com)

### Blum-Novotest Ltd.

Unit 15 Granary Wharf Business Park  
Wetmore Road, Burton upon Trent  
Staffordshire, DE14 1DU  
United Kingdom  
Phone: +44 1283 569691  
Fax: +44 1283 563687  
[info@blum-novotest.co.uk](mailto:info@blum-novotest.co.uk)

### Blum-Novotest, Inc.

4144 Olympic Boulevard  
Erlanger, KY 41018  
USA

Phone: +1 (859) 344 6789  
Fax: +1 (859) 344 6799  
[solutions@blum-novotest.us](mailto:solutions@blum-novotest.us)