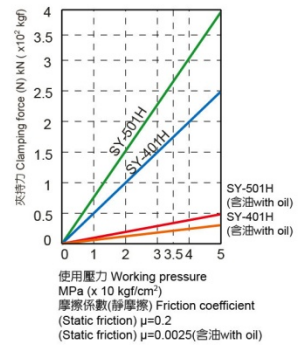
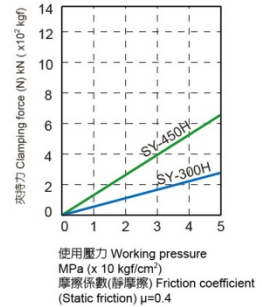
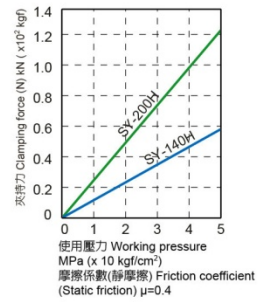
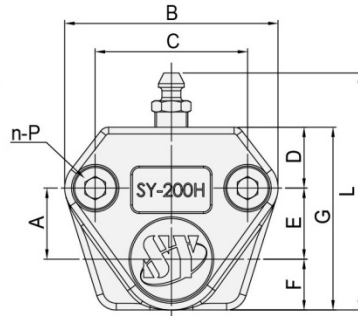
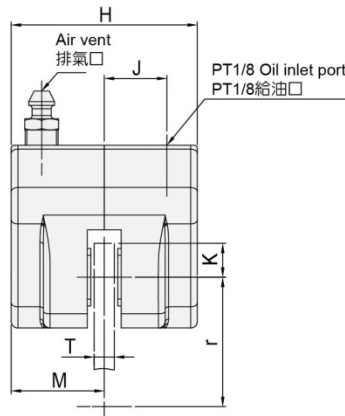
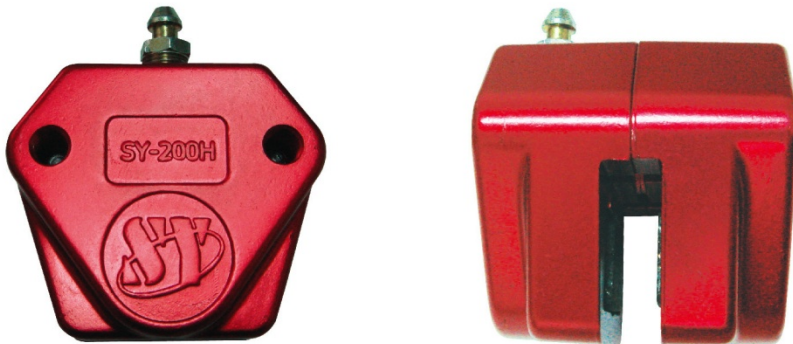


油壓煞車器

型式 Model: SY-140H, SY-200H, SY-300H, SY-450H



規格表 SPECIFICATIONS

型 式 MODEL	SY-140H	SY-200H	SY-300H	SY-450H	SY-401H	SY-501H	SY-5020
缸徑 Cylinder diameter	Ø14	Ø20	Ø30	Ø45	Ø40	Ø35x2	Ø50
碟盤外徑 Outside diameter of disc	Ø50~∞	Ø100~∞		Ø150~∞		Ø260~∞	Ø222~Ø700
有效制動半徑 Effective braking radius	$r=(\text{Dia.}/2-8)/1000$	$r=(\text{Dia.}/2-10)/1000$	$r=(\text{Dia.}/2-12)/1000$	$r=(\text{Dia.}/2-18)/1000$	$r=(\text{Dia.}/2-20)/1000$	$r=(\text{Dia.}/2-20)/1000$	$r=(\text{Dia.}/2-20)/1000$
使用壓力 Working pressure	0.15~5	0.1~5		0.05~5	0.15~3.5		0.15~5.0
扭力計算 Torque formula	$T(N.m)=N.r$						

尺寸表 DIMENSIONS

型 式 MODEL	A	B	C	D	E	F	G	H	J	K	L	M	n-P	S	T	質量 Weight (kg)
SY-140H	18	51	36	13	18	11	42	50	17	8	58	25	2-M6x16	-	3	
SY-200H	21	63	45	18	21	15	54	55	18.5	10	70	27.5	2-M8x15.5	-	6	
SY-300H	28	79	54	18	28	24	70	68	24	12	86	34	2-M10x19	-	6	
SY-450H	30	104	74	23	30	32	85	79	29.5	18	101	39.5	2-M14x21.5	-	10	
SY-401H	55.5	75	45	12	44	28.5	96	112.5	22.5	Ø31	113	56.25	2-M8x16	-	9	
SY-501H	55.5	125	103	12	44	28.5	96	112.5	51.5	Ø31	113	56.25	3-M10x16	-	9	
SY-5020	請參照 背面															



盛鈺精機有限公司

SHENG YU PRECISION MACHINE CO., LTD.

41282 台中市大里區仁美路97號

No.97, Renmei Rd., Dali Dist., Taichung City 41282, Taiwan.

Tel : +886-4-2492-3577

Fax : +886-4-2492-3977

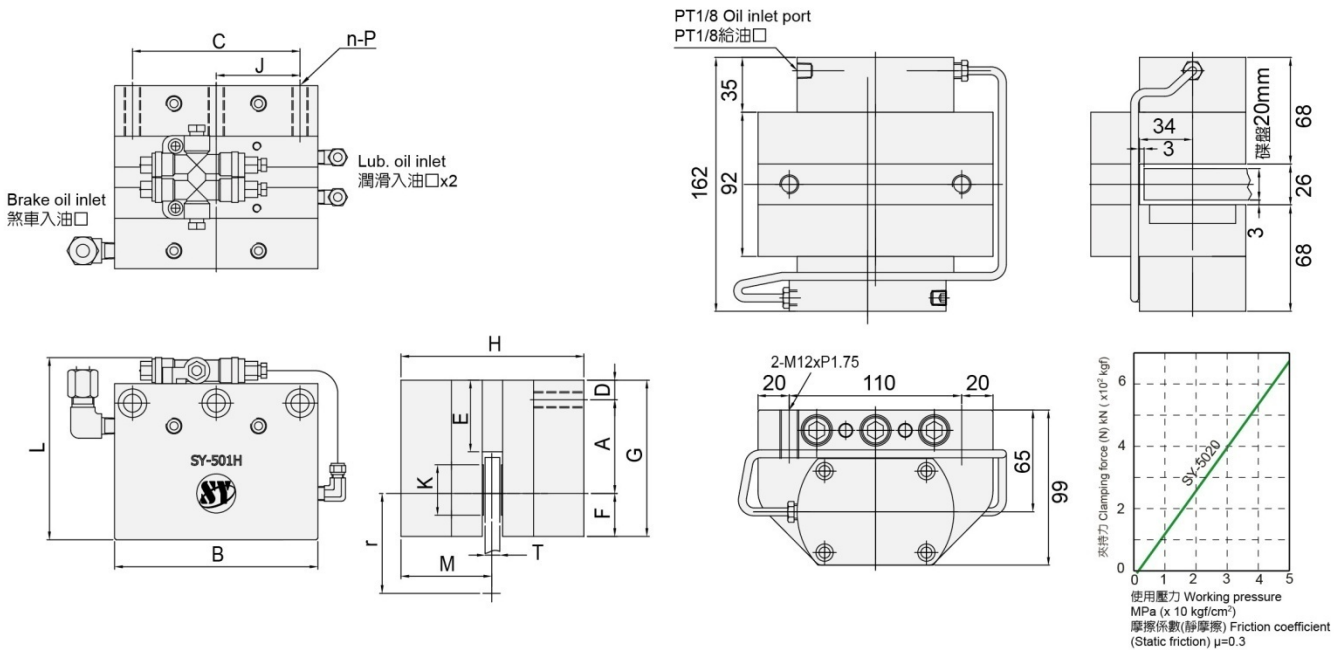
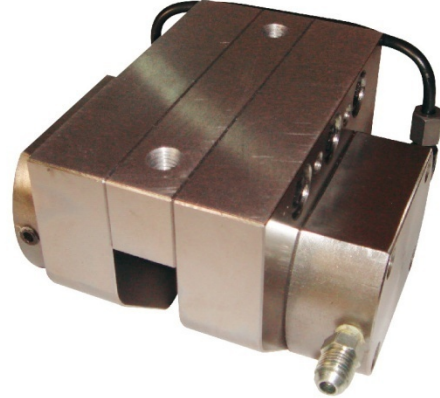
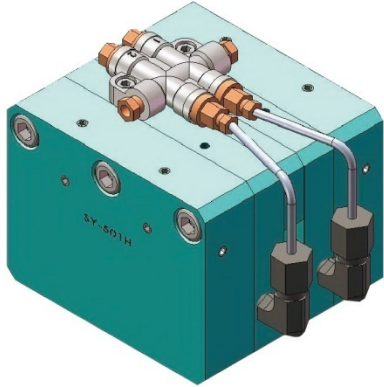
E-mail : b3736@ms16.hinet.net

www.shengyumc.com.tw



型式 Model: SY-401H, SY-501H

型式 Model: SY-5020



- * 注意: SY-401H, SY-501H煞車器之潤滑油需搭配脫壓式注油器，動作工作壓力須8~30kgf/cm²。
- * The lubrication oil applied for the brake SY-401H, SY-501H and should be used together with a pressure-release lubricator. Working pressure required is 8~30kgf/cm².

SY-401 & SY-501H Features:

1. Powerful hydraulic clamping force.
2. Clamping surface has floating feature to prevent deformation of brake disc with great contact surface.
3. With lubrication on the mating surface between the brake and the brake disc; smoother turning and milling motions are achieved.