

- Mounting hole diameter 16mm  
Apparent shapes with rectangular 18X24mm, square 18X18mm and round diameter 18mm
- Illuminated by midjet grooved T1 3/4 lamps including incandescent, discharged and LED lamps
- The lifetime of LED with high brightness up to 50000 hours



**Coding Principle**

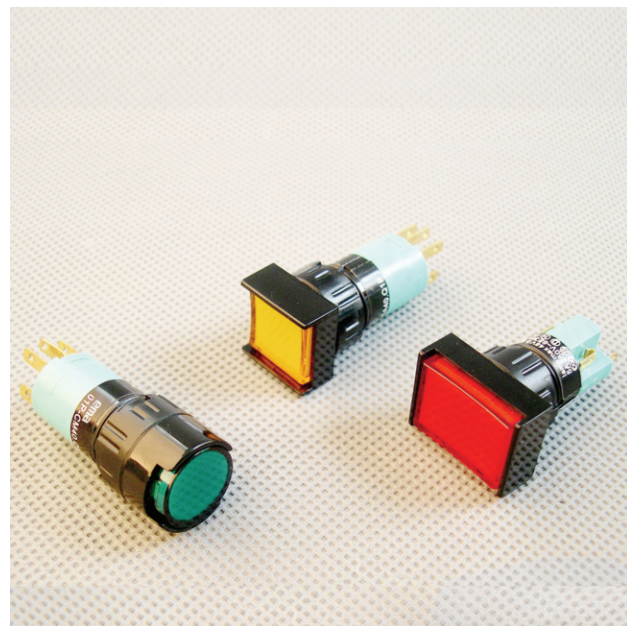
01 P - R I 40 . Q + W + L 24 Y  
I II III IV V VI VII VIII IX X

I: Series code	01 Series with 16mm diameter mounting hole
II: Main category	P=Indicators
III: Front shape	C=Round S=Square R=Rectangular
IV: Function code	I=Indicators
V: Protection rating	40=Standard 65=Rubber-sealed
VI: Terminal type	S=Soldering Q=Plug-in
VII: Cap color	R=Red, Y=Yellow, O=Orange, G=Light Green, V=Deep Green, B=Blue, W=White, K=Black
VIII: Light source	L=LED lamp D=Incandescent lamp A=Discharged lamp Omission=Without lamp
IX: Operating voltage	06=6VDC 12=12VDC 24=24VDC 11=110VAC 22=220VAC
X: Extra code	If the color of lamps and lens are different, please add this code to indicate the color of lamp

Note 1: Available colors of LED are red,yellow, green, blue,white  
 The standard matches between cap and LED are as followed:  
 R→Red LED Y→Yellow LED O→Orange LED G→Green LED V→Green LED B→Blue LED W→Yellow / White LED  
 The standard matches between cap and lamp are as followed:  
 W、R、Y、O→Red lamp G、B、V→Green lamp

**Order information**

Order No.	Drawing	Order No.	Drawing
01P-RI40.Q	E5001	01P-CI40.S	E5004
01P-RI65.Q	E5001	01P-CI65.S	E5004
01P-RI40.S	E5002	01P-SI40.Q	E5005
01P-RI65.S	E5002	01P-SI65.Q	E5005
01P-CI40.Q	E5003	01P-SI40.S	E5006
01P-CI65.Q	E5003	01P-SI65.S	E5006



- Mounting hole diameter 16mm  
Apparent shapes with rectangular 18X24mm, square 18X18mm and round diameter 18mm
- High bezel that prevents accidental touching
- Illuminated by midget grooved T1 3/4 lamps including incandescent, discharged and LED lamps
- Snap-action which accelerates on-off switching
- Normally closed and normally open contacts in each switch block
- Actuating travel: 3mm
- Mechanical lifetime: Momentary 2X10<sup>6</sup> operations; Alternative 1X10<sup>6</sup> operations



01 P — R A 40 . Q 1P + W + L 24 Y  
 I II III IV V VI VII VIII IX X XI

I: Series code	01 Series with 16mm diameter mounting hole		
II: Main category	P=Pushbutton Switches		
III: Front shape	C=Round	S=Square	R=Rectangular
IV: Function code	M=Momentary	A=Alternative	
V: Protection rating	40=Standard	65=Rubber-sealed	
VI: Terminal type	S=Soldering	Q=Plug-in	
VII: Contact mode	1P=1A1B	2P=2A2B	
VIII: Cap color	R=Red, Y=Yellow, O=Orange, G=Light Green, V=Deep Green, B=Blue, W=White, K=Black		
IX: Light source	L=LED lamp D=Incandescent lamp A=Discharged lamp Omission=Without lamp		
X: Operating voltage	06=6VDC 12=12VDC 24=24VDC 11=110VAC 22=220VAC		
XI: Extra code	If the color of lamps and lens are different, please add this code to indicate the color of lamp		

Note 1: Available colors of LED are red,yellow, green, blue,white

The standard matches between cap and LED are as followed:

R→Red LED Y→Yellow LED O→Orange LED G→Green LED V→Green LED B→Blue LED W→Yellow / White LED

The standard matches between cap and lamp are as followed:

W、R、Y、O→Red lamp G、B、V→Green lamp

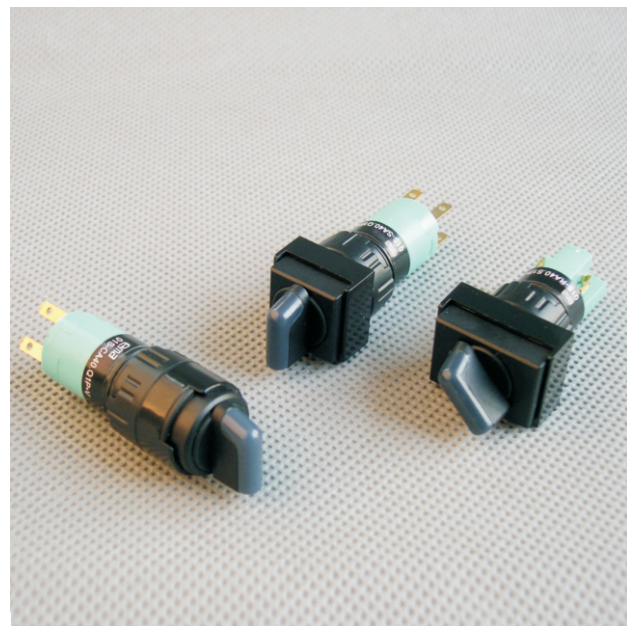
Order information

Order No.	Drawing	Order No.	Drawing
01P-RM40.Q1P	E5007	01P-CA40.S1P	E5011
01P-RM65.Q1P	E5007	01P-CA65.S1P	E5011
01P-RA40.Q1P	E5007	01P-CM40.S2P	E5012
01P-RA65.Q1P	E5007	01P-CM65.S2P	E5012
01P-RM40.S1P	E5008	01P-CA40.S2P	E5012
01P-RM65.S1P	E5008	01P-CA65.S2P	E5012
01P-RA40.S1P	E5008	01P-SM40Q1P	E5013
01P-RA65.S1P	E5008	01P-SM65.Q1P	E5013
01P-RM40.S2P	E5009	01P-SA40.Q1P	E5013
01P-RM65.S2P	E5009	01P-SA65.Q1P	E5013
01P-RA40.S2P	E5009	01P-SM40.S1P	E5014
01P-RA65.S2P	E5009	01P-SM65.S1P	E5014
01P-CM40.Q1P	E5010	01P-SA40.S1P	E5014
01P-CM65.Q1P	E5010	01P-SA65.S1P	E5014
01P-CA40.Q1P	E5010	01P-SM40.S2P	E5015
01P-CA65.Q1P	E5010	01P-SM65.S2P	E5015
01P-CM40.S1P	E5011	01P-SA40.S2P	E5015
01P-CM65.S1P	E5011	01P-SA65.S2P	E5015

16mm Control Switches

22/25/30mm Control Switches

30/50/70mm Multi-Layer Light Tower



- Mounting hole diameter 16mm  
Apparent shapes with rectangular 18X24mm, square 18X18mm and round diameter 18mm
- Snap-action which accelerates on-off switching
- Normally closed and normally open contacts in each switch block
- Actuating travel: 2 positions L 90° and V 90°
- Mechanical lifetime: 50000 operations



**Coding Principle**

01 S — R A 40 . Q 1P \* L  
 I      II      III IV V VI VII VIII

I: Series code	01 Series with 16mm diameter mounting hole		
II: Main category	S=Selector Switches		
III: Front shape	C=Round	S=Square	R=Rectangular
IV: Function code	M=2 way Momentary	A=2 way Alternative	
V: Protection rating	40=Standard	65=Rubber-sealed	
VI: Terminal type	S=Soldering	Q=Plug-in	
VII: Contact mode	1P=1A1B	2P=2A2B	
VIII: Knob type	L=L type 90°	V=V type 90°	

**Order information**

Order No.	Drawing	Order No.	Drawing
01S-RM40.Q1P	E5016	01S-CA40.S1P	E5020
01S-RM65.Q1P	E5016	01S-CA65.S1P	E5020
01S-RA40.Q1P	E5016	01S-CM40.S2P	E5021
01S-RA65.Q1P	E5016	01S-CM65.S2P	E5021
01S-RM40.S1P	E5017	01S-CA40.S2P	E5021
01S-RM65.S1P	E5017	01S-CA65.S2P	E5021
01S-RA40.S1P	E5017	01S-SM40.Q1P	E5022
01S-RA65.S1P	E5017	01S-SM65.Q1P	E5022
01S-RM40.S2P	E5018	01S-SA40.Q1P	E5022
01S-RM65.S2P	E5018	01S-SA65.Q1P	E5022
01S-RA40.S2P	E5018	01S-SM40.S1P	E5023
01S-RA65.S2P	E5018	01S-SM65.S1P	E5023
01S-CM40.Q1P	E5019	01S-SA40.S1P	E5023
01S-CM65.Q1P	E5019	01S-SA65.S1P	E5023
01S-CA40.Q1P	E5019	01S-SM40.S2P	E5024
01S-CA65.Q1P	E5019	01S-SM65.S2P	E5024
01S-CM40.S1P	E5020	01S-SA40.S2P	E5024
01S-CM65.S1P	E5020	01S-SA65.S2P	E5024

16mm Control Switches

22/25/30mm Control Switches

30/50/70mm Multi-Layer Light Tower





- Mounting hole diameter 16mm, Front size is round diameter 26mm
- Cladding cover design to meet the requirement of European system
- There are only red LED and red discharged lamp available in illuminated emergency switch
- Snap-action which accelerates on-off switching
- Normally closed and normally open contacts in each switch block
- Mechanical lifetime: 50000 operations



Coding Principle

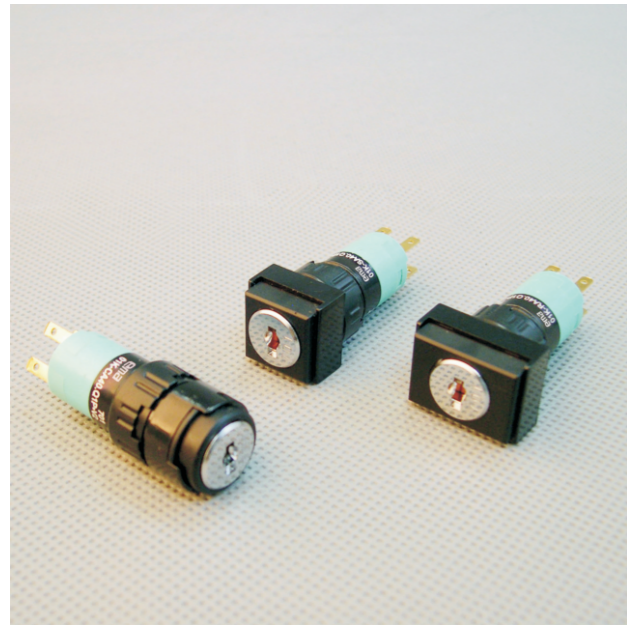
01 S — C E 40 . Q 1P + R + L 12  
I II III IV V VI VII VIII IX X

I: Series code	01 Series with 16mm diameter mounting hole	
II: Main category	S=Emergency Stop Switches	
III: Front shape	C=Round	
IV: Function code	E=Rotate to reset	
V: Protection rating	40=Standard	65=Rubber-sealed
VI: Terminal type	S=Soldering	Q=Plug-in
VII: Contact mode	1P=1A1B	2P=2A2B
VIII: Light color	R=Red	
IX: Light source	L=LED lamp	Omission=Without lamp
X: Operating voltage	06=6VDC 12=12VDC 24=24VDC 11=110VAC 22=220VAC	

Order information

Order No.	Drawing	Order No.	Drawing
01S-CE40.Q1P	E5025	01S-CE65.S1P	E5026
01S-CE65.Q1P	E5025	01S-CE40.S2P	E5027
01S-CE40.S1P	E5026	01S-CE65.S2P	E5027





- Mounting hole diameter 16mm  
Apparent shapes with rectangular 18X24mm, square 18X18mm and round diameter 18mm
- Snap-action which accelerates on-off switching
- Normally closed and normally open contacts in each switch block
- Actuating travel: 2 positions L 90° and V 90°
- Mechanical lifetime: 50000 operations



Coding Principle

01 K — R A 40 . Q 1P \* L2  
I II III IV V VI VII VIII

I: Series code	01 Series with 16mm diameter mounting hole		
II: Main category	K=Keylock Switches		
III: Front shape	C=Round	S=Square	R=Rectangular
IV: Function code	M=2 Way Momentary	A=2 Way Alternative	
V: Protection rating	40=Standard	65=Rubber-sealed	
VI: Terminal type	S=Soldering	Q=Plug-in	
VII: Contact mode	1P=1A1B	2P=2A2B	
VIII: Inlet type	L1=L type 90° one inlet V1=V type 90° one inlet	L2=L type 90° two inlets V2=V type 90° two inlets	

Order information

Order No.	Drawing	Order No.	Drawing
01K-RM40.Q1P	E5028	01K-CA40.S1P	E5032
01K-RM65.Q1P	E5028	01K-CA65.S1P	E5032
01K-RA40.Q1P	E5028	01K-CM40.S2P	E5033
01K-RA65.Q1P	E5028	01K-CM65.S2P	E5033
01K-RM40.S1P	E5029	01K-CA40.S2P	E5033
01K-RM65.S1P	E5029	01K-CA65.S2P	E5033
01K-RA40.S1P	E5029	01K-SM40.Q1P	E5034
01K-RA65.S1P	E5029	01K-SM65.Q1P	E5034
01K-RM40.S2P	E5030	01K-SA40.Q1P	E5034
01K-RM65.S2P	E5030	01K-SA65.Q1P	E5034
01K-RA40.S2P	E5030	01K-SM40.S1P	E5035
01K-RA65.S2P	E5030	01K-SM65.S1P	E5035
01K-CM40.Q1P	E5031	01K-SA40.S1P	E5035
01K-CM65.Q1P	E5031	01K-SA65.S1P	E5035
01K-CA40.Q1P	E5031	01K-SM40.S2P	E5036
01K-CA65.Q1P	E5031	01K-SM65.S2P	E5036
01K-CM40.S1P	E5032	01K-SA40.S2P	E5036
01K-CM65.S1P	E5032	01K-SA65.S2P	E5036



- Mounting hole diameter 16mm  
Apparent shapes with rectangular 18X24mm, square 18X18mm and round diameter 18mm
- 70dB at a distance 30cm



Coding Principle

01 B — R I 40 . Q \* 24 FR  
I II III IV V VI VII VIII

I: Series code	01 Series with 16mm diameter mounting hole		
II: Main category	B=Buzzers		
III: Front shape	C=Round	S=Square	R=Rectangular
IV: Function code	C=Continuous	I=Intermittent	
V: Protection rating	40=Standard		
VI: Terminal type	S=Soldering	Q=Plug-in	
VII: Operating voltage	06=6VDC 12=12VDC 24=24VDC		
VIII: Light source	R=Red LED lamp FR=Flash LED Omission=Without lamp		




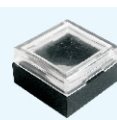
Note: Only rectangular shape can be assembled lamps.

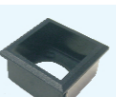
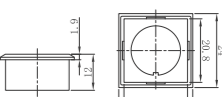

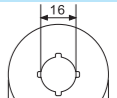








Order information

Order No.	Drawing No.	Order No.	Drawing
01B-RC40.Q *◇◇	E5037	01B-CC40.Q	E5041
01B-RI40.Q *◇◇	E5037	01B-CI40.Q	E5041
01B-RC40.S *◇◇	E5038	01B-CC40.S	E5042
01B-RI40.S *◇◇	E5038	01B-CI40.S	E5042
01B-RC40.Q	E5039	01B-SC40.Q	E5043
01B-RI40.Q	E5039	01B-SI40.Q	E5043
01B-RC40.S	E5040	01B-SC40.S	E5044
01B-RI40.S	E5040	01B-SI40.S	E5044

Note: ◇ Assembled lamps  
Consumption current max. 7mA

Accessories

Order No.	Anti-twisting Ring	Description	Drawing
01Z-100		Enhance the anti-twisting torque	
Order No.	Rectangular cover	Description	Drawing
01Z-200.R		Suitable to rectangular cover	
Order No.	Square cover	Description	Drawing
01Z-200.S		Suitable to square cover	
Order No.	PCB Plug-in Base	Description	Drawing
01Z-300		Only for plug-in terminals	
Order No.	Blanking Plate	Description	Drawing
01Z-400		For blanking hole	
Order No.	Connector	Description	Drawing
01Z-500		Only for plug-in terminals	-
Order No.	Insulation Cover	Description	Drawing
01Z-600		Only for plug in terminals	-
Order No.	Dust-proof rectangular cover	Description	Drawing
01Z-700.R		Suitable to rectangular cover	
Order No.	Dust-proof square cover	Description	Drawing
01Z-700.S		Suitable to square cover	
Order No.	Cover	Description	Drawing
01Z-800.R		Suitable to rectangular flush mounting	

Order No.	Cover	Description	Drawing
01Z-800.S		Suitable to square flush mounting	
Order No.	Blank emergency stop label	Description	Drawing
01Z-900.0 01Z-900.0N		External diameter:45mm, "N" represents that 3M paster is not attached	
Order No.	Emergency-Stop label	Description	Drawing
01Z-900.1 01Z-900.1N		External diameter:45mm, "N" represents that 3M paster is not attached	
Order No.	Mounting Tool	Description	Drawing
01Z-T01		Max.torque force : 0.5Nm	-
Order No.	Lens Remover	Description	Drawing
01Z-T02		Easily pull lens, lamps can be changed before mounting panels	-
Order No.	Lamp Remover	Description	Drawing
01Z-T03		Easily pull lenses	-
Order No.		Description	Drawing
01Z-K168		No.168 key	-
Order No.		Description	Drawing
01Z-K702		No.702 key	-
Order No.	Metallic Screw Nut	Description	Drawing
01Z-NU.M		Metallic screw nut can be used if the panel is excessively thick	-

16mm Control Switches

22/25/30mm Control Switches

30/50/70mm Multi-Layer Light Tower





- Concise design, simple construction, reliable operation and long duration
- Long lifetime and brightness LED lamp embedded in E2C0 indicators
- Light and delicate design, up to the requirement of protection IP40
- The material of lightshade features with anti-abrasion and anti-shock
- Five different colors of indicators can be selected
- Voltage of 24VDC, 110VAC, 220 VAC are available



Coding Principle

Economic indicator light: E2C0W

E	2	C	0	W	3	L
---	---	---	---	---	---	---

Part No.	Code Description
E	Protection classification: E=IP40 standard
2	Mouncting size: 2=22mm standard mounting
C0	Type of indicator: economic indicator
W	Cap color: R=red Y=yellow G=green B=blue W=white
3	Type of light: 3=24VDC 4=110VAC 5=220VAC
L	light source: L=LED

Drawing

Page >>> P.244

E2C0 indicators	Drawing	Color	Built-in LED Part No.
		○	E2C0W◇L
		●	E2C0R◇L
		●	E2C0Y◇L
		●	E2C0G◇L
		●	E2C0B◇L

Remarks :1. ◇Lamp Voltage: 3=24VDC, 4=110VAC, 5=220VAC





- Elegant and sophisticated design, add the extra value and esthetic feeling into applications
- Professional selection of engineering materials, overcome the harshest of your environment
- Friendly handling and modular design, save your time for the installation
- Flexible and module assembly, effectively decrease the cost of stock
- Whole series slim; delicate and light, up to the requirement of protection IP40 and IP65
- Lower and flush mounting actuators, highly increase the fine appearance of your panel
- 22,25 and 30mm mounting holes, fulfill your intentions of choice and replacement



Coding Principle

Indicators E2I/E3I	E	2	I	0	W	3	L	Y
--------------------	---	---	---	---	---	---	---	---

Part No.	Code Description
E	Classification : E=IP40 Standard H=IP65 Rubber-sealed
2	Mounting size : 2=22mm、 25mm Standard mounting 3= 30mm Flush mounting
I0	Cap style : I0=Full lens, I1=Flat lens, I2=Raised lens
W	Cap color : R=Red, Y=Yellow, G=Green, B=Blue, W=White
3	Operating voltage : 1=6VDC, 2=12VDC, 3=24VDC, 4=110VAC, 5=220VAC
L	Light source : D=Incandescent lamp, A=Discharged lamp, L=LED lamp, Omission=Without lamp
Y	Extra code : If the color of lamps and lens are different, please add this code to indicate the color of lamp.
Note	E3I0 full lens style is not available

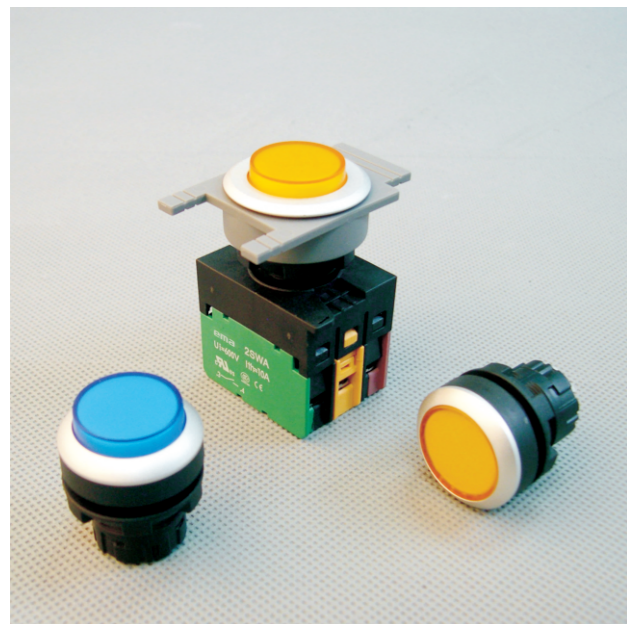
Drawing

Page	>>> P.244
------	-----------

E2I0 Full Lens	Drawing	Color	Built-in LED Part No.	Built-in Incand Part No.
		○	E2I0W◇L	E2I0W◇D
		●	E2I0R◇L	E2I0R◇D
		●	E2I0Y◇L	E2I0Y◇D
		●	E2I0G◇L	E2I0G◇D
		●	E2I0B◇L	E2I0B◇D
E2I1 Flat Lens	Drawing	Color	Built-in LED Part No.	Built-in Incand Part No.
		○	E2I1W◇L	E2I1W◇D
		●	E2I1R◇L	E2I1R◇D
		●	E2I1Y◇L	E2I1Y◇D
		●	E2I1G◇L	E2I1G◇D
		●	E2I1B◇L	E2I1B◇D
E2I2 Raised Lens	Drawing	Color	Built-in LED Part No.	Built-in Incand Part No.
		○	E2I2W◇L	E2I2W◇D
		●	E2I2R◇L	E2I2R◇D
		●	E2I2Y◇L	E2I2Y◇D
		●	E2I2G◇L	E2I2G◇D
		●	E2I2B◇L	E2I2B◇D
E3I1 Flush Flat Lens	Drawing	Color	Built-in LED Part No.	Built-in Incand Part No.
		○	E3I1W◇L	E3I1W◇D
		●	E3I1R◇L	E3I1R◇D
		●	E3I1Y◇L	E3I1Y◇D
		●	E3I1G◇L	E3I1G◇D
		●	E3I1B◇L	E3I1B◇D
E3I2 Flush Raised Lens	Drawing	Color	Built-in LED Part No.	Built-in Incand Part No.
		○	E3I2W◇L	E3I2W◇D
		●	E3I2R◇L	E3I2R◇D
		●	E3I2Y◇L	E3I2Y◇D
		●	E3I2G◇L	E3I2G◇D
		●	E3I2B◇L	E3I2B◇D

- Remarks : 1. ◇Lamp Voltage:1=6VDC, 2=12VDC, 3=24VDC, 4=110VAC, 5=220VAC  
 2. Incandescent lamps powered by 110VAC, 220VAC are not available. Discharged lamps powered by 110VAC、220VAC are available only.  
 3. Please change "E" to "H" for protection rating IP65.  
 4. Please add \*M in the last of order no. if you would like to change the black plastic front ring to the metal ring.  
 5. Please add 'R,'Y,'G,'B,'W,'K,'E' if plastic ring of red, yellow, blue, white, black, grey to be replaced.





- Elegant and sophisticated design, add the extra value and esthetic feeling into applications
- Professional selection of engineering materials, overcome the harshest of your environment
- Friendly handling and module design, save your treasure time while installation
- Flexible and module assembly, effectively decrease the cost of stock
- Whole series slim; delicate and light, up to the requirement of protection IP40 and IP65
- Lower and flush mounting actuators, highly increase the fine appearance of your panel
- 22, 25 and 30mm mounting holes, fulfill your intentions of choice and replacement



Coding Principle

Pushbutton Switches E2P/E3P	E	2	P	1	W	1	A	3	L	Y	.	A
-----------------------------	---	---	---	---	---	---	---	---	---	---	---	---

Part No.	Code Description
E	Classification : E=IP40 Standard H=IP65 Rubber-sealed
2	Mounting size : 2=22mm、25mm Standard mounting 3= 30mm Flush mounting
P1	Cap style : Non-illumination P1=Flat head, P2=Raised head, P3=Sunken head Illumination P1=Flat button, P2=Raised button, P3=Sunken button P4=Mushroom head, P5=High bezel head P4=Mushroom button, P5=High bezel button
W	Cap color : R=Red, Y=Yellow, G=Green, B=Blue, W=wWhite, K=Black
1A	Contact mode : A=1NO B=1NC, provide 1A,2A,3A,4A,1B,2B,3B,4B,AB,2A2B,3A3B,2A1B,1A2B,3A1B,1A3B
3	Operating voltage : 1=6VDC, 2=12VDC, 3=24VDC, 4=110VAC, 5=220VAC
L	Light source : D=Incandescent lamp, A=Discharged lamp, L=LED lamp, Omission=Without lamp
Y	Extra code : If the colors of lamp and lens are different, please add this code to tell the color of lamp.
.A	Function mode : A=Maintained, Omission=Momentary

Drawing


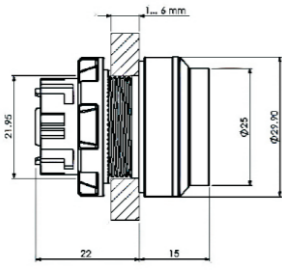

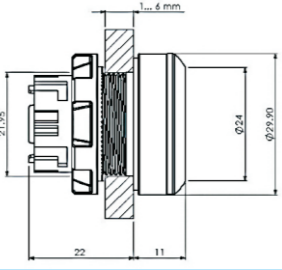

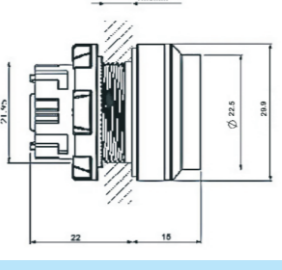

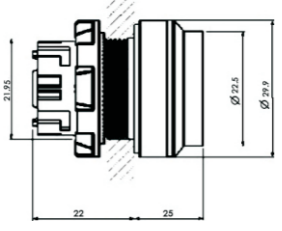
E2P1 Flat Head	Drawing	Color	Momentary Part No.	Maintained Part No.
		○	E2P1W□□	-
		●	E2P1R□□	-
		●	E2P1Y□□	-
		●	E2P1G□□	-
		●	E2P1B□□	-
		●	E2P1K□□	-
		●	E2P1K□□	-
E2P2 Raised Head	Drawing	Color	Momentary Part No.	Maintained Part No.
		○	E2P2W□□	-
		●	E2P2R□□	-
		●	E2P2Y□□	-
		●	E2P2G□□	-
		●	E2P2B□□	-
		●	E2P2K□□	-
		●	E2P2K□□	-
E2P3 Sunken Head	Drawing	Color	Momentary Part No.	Maintained Part No.
		○	E2P3W□□	-
		●	E2P3R□□	-
		●	E2P3Y□□	-
		●	E2P3G□□	-
		●	E2P3B□□	-
		●	E2P3K□□	-
		●	E2P3K□□	-
E2P4 Mushroom Head	Drawing	Color	Momentary Part No.	Maintained Part No.
		●	E2P4R□□.M1	E2P4R□□.A1
		●	E2P4Y□□.M1	E2P4Y□□.A1
		●	E2P4G□□.M1	E2P4G□□.A1
		●	E2P4K□□.M1	E2P4K□□.A1
		-	-	-
		-	-	-
		-	-	-

16mm Control Switches

22/25/30mm Control Switches


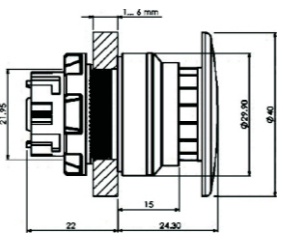

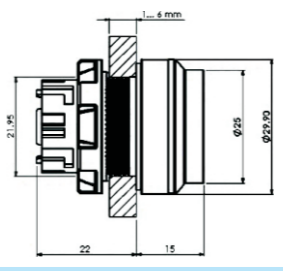

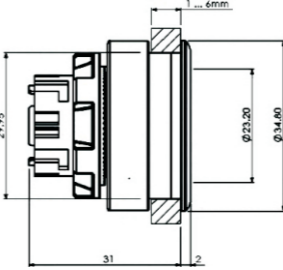

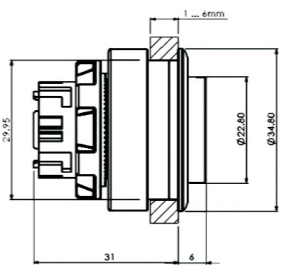
30/50/70mm Multi-Layer Light Tower




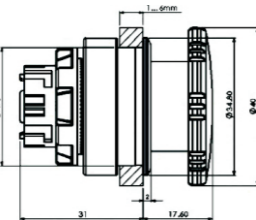





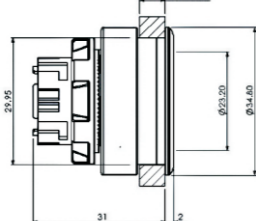






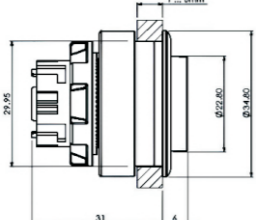





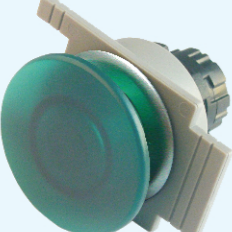
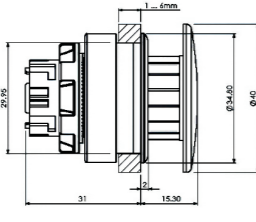





E2P5 High Bezel Head	Drawing	Color	Momentary Part No.	Maintained Part No.
		○	E2P5W□□	-
		●	E2P5R□□	-
		●	E2P5Y□□	-
		●	E2P5G□□	-
		●	E2P5B□□	-
		●	E2P5K□□	-
E2P1 Flat Button	Drawing	Color	Momentary Part No.	Maintained Part No.
		○	E2P1W□□◇L.M	E2P1W□□◇L.A
		●	E2P1R□□◇L.M	E2P1R□□◇L.A
		●	E2P1Y□□◇L.M	E2P1Y□□◇L.A
		●	E2P1G□□◇L.M	E2P1G□□◇L.A
		●	E2P1B□□◇L.M	E2P1B□□◇L.A
		●	E2P1K□□◇L.M	E2P1K□□◇L.A
E2P2 Raised Button	Drawing	Color	Momentary Part No.	Maintained Part No.
		○	E2P2W□□◇L.M	E2P2W□□◇L.A
		●	E2P2R□□◇L.M	E2P2R□□◇L.A
		●	E2P2Y□□◇L.M	E2P2Y□□◇L.A
		●	E2P2G□□◇L.M	E2P2G□□◇L.A
		●	E2P2B□□◇L.M	E2P2B□□◇L.A
		●	E2P2K□□◇L.M	E2P2K□□◇L.A
E2P3 Sunken Button	Drawing	Color	Momentary Part No.	Maintained Part No.
		○	E2P3W□□◇L.M	E2P3W□□◇L.A
		●	E2P3R□□◇L.M	E2P3R□□◇L.A
		●	E2P3Y□□◇L.M	E2P3Y□□◇L.A
		●	E2P3G□□◇L.M	E2P3G□□◇L.A
		●	E2P3B□□◇L.M	E2P3B□□◇L.A
		●	E2P3K□□◇L.M	E2P3K□□◇L.A

Drawing

Page >>> P.245

E2P4 Mushroom Button	Drawing	Color	Momentary Part No.	Maintained Part No.
		○	E2P4W□□◇L.M0	E2P4W□□◇L.A0
		●	E2P4R□□◇L.M0	E2P4R□□◇L.A0
		●	E2P4Y□□◇L.M0	E2P4Y□□◇L.A0
		●	E2P4G□□◇L.M0	E2P4G□□◇L.A0
		●	E2P4B□□◇L.M0	E2P4B□□◇L.A0
		●	E2P4K□□◇L.M0	E2P4K□□◇L.A0
E2P5 High Bezel Button	Drawing	Color	Momentary Part No.	Maintained Part No.
		○	E2P5W□□◇L.M	E2P5W□□◇L.A
		●	E2P5R□□◇L.M	E2P5R□□◇L.A
		●	E2P5Y□□◇L.M	E2P5Y□□◇L.A
		●	E2P5G□□◇L.M	E2P5G□□◇L.A
		●	E2P5B□□◇L.M	E2P5B□□◇L.A
		●	E2P5K□□◇L.M	E2P5K□□◇L.A
E3P1 Flush Flat Head	Drawing	Color	Momentary Part No.	Maintained Part No.
		○	E3P1W□□	-
		●	E3P1R□□	-
		●	E3P1Y□□	-
		●	E3P1G□□	-
		●	E3P1B□□	-
		●	E3P1K□□	-
E3P2 Flush Raised Head	Drawing	Color	Momentary Part No.	Maintained Part No.
		○	E3P2W□□	-
		●	E3P2R□□	-
		●	E3P2Y□□	-
		●	E3P2G□□	-
		●	E3P2B□□	-
		●	E3P2K□□	-

- Remarks :
- Contact Mode: 1A=1NO, 1B=1NC, 2A=2NO, 2B=2NC, AB=1NO+1NC and etc.
  - ◇ Lamp Voltage: 1= 6VDC, 2= 12VDC, 3= 24VDC, 4= 110VAC, 5= 220VAC  
L=LED lamp, D=Incandescent lamps, Omission=Without lamp
  - Highlight-background ◇L in columns of "maintained part no." = This two codes could be omitted, and that stands for the part no. of the maintained pushbutton switches without lamp.
  - Pushbutton without lamp could be attached the 3rdcontact. Please add extra A or B code following the contact mode to present the mode of the 3rdcontact, A means 1 normally open and B1 normally close.
  - Please change "E" to "H" for protection rating IP65.
  - Please add \*M in the last of order no. if you would like to change the black plastic front ring to the metal ring.
  - Please add 'R', 'Y', 'G', 'B', 'W', 'K', 'E' if plastic ring of red, yellow, blue, white, black, grey to be replaced.

E3P4 Flush Mushroom Head	Drawing	Color	Momentary Part No.	Maintained Part No.
			E3P4R□□.M1	E3P4R□□.A1
			E3P4Y□□.M1	E3P4Y□□.A1
			E3P4G□□.M1	E3P4G□□.A1
			E3P4K□□.M1	E3P4K□□.A1
		-	-	-
E3P1 Flush Flat Button	Drawing	Color	Momentary Part No.	Maintained Part No.
			E3P1W□□◇L.M	E3P1W□□◇L.A
			E3P1R□□◇L.M	E3P1R□□◇L.A
			E3P1Y□□◇L.M	E3P1Y□□◇L.A
			E3P1G□□◇L.M	E3P1G□□◇L.A
			E3P1B□□◇L.M	E3P1B□□◇L.A
E3P2 Flush Raised Button	Drawing	Color	Momentary Part No.	Maintained Part No.
			E3P2W□□◇L.M	E3P2W□□◇L.A
			E3P2R□□◇L.M	E3P2R□□◇L.A
			E3P2Y□□◇L.M	E3P2Y□□◇L.A
			E3P2G□□◇L.M	E3P2G□□◇L.A
			E3P2B□□◇L.M	E3P2B□□◇L.A
E3P4 Flush Mushroom Button	Drawing	Color	Momentary Part No.	Maintained Part No.
			E3P4W□□◇L.M0	E3P4W□□◇L.A0
			E3P4R□□◇L.M0	E3P4R□□◇L.A0
			E3P4Y□□◇L.M0	E3P4Y□□◇L.A0
			E3P4G□□◇L.M0	E3P4G□□◇L.A0
			E3P4B□□◇L.M0	E3P4B□□◇L.A0

- Remarks :
- Contact Mode: 1A=1NO, 1B=1NC, 2A=2NO, 2B=2NC, AB=1NO+1NC and etc.
  - ◇ Lamp Voltage: 1= 6VDC, 2= 12VDC, 3= 24VDC, 4= 110VAC, 5= 220VAC  
L=LED lamp, D=Incandescent lamps, Omission=Without lamp
  - Highlight-background◇L in columns of "maintained part no." = This two codes could be omitted, and that stands for the part no. of the maintained pushbutton switches without lamp.
  - Pushbutton without lamp could be attached the 3rdcontact. Please add extra A or B code following the contact mode to present the mode of the 3rdcontact, A means 1 normally open and B1 normally close.
  - Please change "E" to "H" for protection rating IP65.
  - Please add \*M in the last of order no. if you would like to change the black plastic front ring to the metal ring.
  - Please add 'R, 'Y, 'G, 'B, 'W, 'K, 'E if plastic ring of red, yellow, blue, white, black, grey to be replaced.

Drawing





- Elegant and sophisticated design, add the extra value and esthetic feeling into applications
- Professional selection of engineering materials, overcome the harshest of your environment
- Friendly handling and module design, save your treasure time while installation
- Flexible and module assembly, effectively decrease the cost of stock
- Whole series slim; delicate and light, up to the requirement of protection IP40 and IP65
- Lower and flush mounting actuators, highly increase the fine appearance of your panel
- 22、 25 and 30mm mounting holes, fulfill your intentions of choice and replacement



Coding Principle

Selector Switches E2S/E3S	E	2	S	1	K	1	A	3	L	Y	.V	.I
---------------------------	---	---	---	---	---	---	---	---	---	---	----	----

Part No.	Code Description
E	Classification : E=IP40 Standard H=IP65 Rubber-sealed
2	Mounting size : 2=22mm、 25mm Standard mounting 3= 30mm Flush mounting
S1	Handling type : S1=2 Positions, momentary 45° ; S2=2 Positions, maintained 90° S3=3 Positions, left maintained 45° right maintained 45° S4=3 Positions, left momentary 45° right momentary 45° S5=3 Positions, left maintained 45° right momentary 45°
K	Handle type : K=Short handle (knob), L=Long handle (lever)
1A	Contact mode : A=1NO B=1NC, provide 1A,2A,3A,4A,1B,2B,3B,4B,AB,2A2B,3A3B,2A1B,1A2B,3A1B,1A3B
3	Operating voltage : 1=6VDC,2=12VDC,3=24VDC,4=110VAC,5=220VAC
L	Light source : D=Incandescent lamp, A=Discharged lamp, L=LED lamp,Omission=Without lamp
Y	Lamp color : While LED lamp installed, please add this code to identify the color of LED R=Red, Y=Yellow, G=Green, B=Blue, W=White
.V	Handle shape : V=V shape, Omission= L shape(only for S2 handing type)
.I	Handle appearance : I=Transparent, Omission=Non-transparent

Drawing


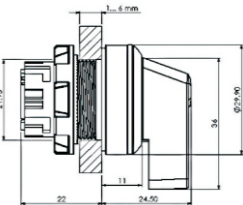
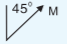
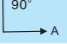
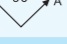

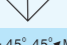

E2SK Knob Selector	Drawing	Handling Type	Part No.
		2 positions, momentary 45°	E2S1K□□
		2 positions, maintained 90°	E2S2K□□
		2 positions, maintained 90° _V shape	E2S2K□□.V
		3 positions, left main.right main. 45°	E2S3K□□
		3 positions, left mome.right mome.45°	E2S4K□□
3 positions, left main.right mome. 45°	E2S5K□□		
E2SK Knob Selector	Drawing	Handling Type	Part No.
		2 positions, momentary 45°	E2S1K□□◇L△.I
		2 positions, maintained 90°	E2S2K□□◇L△.I
		2 positions, maintained 90° _V shape	E2S2K□□◇L△.V.I
		3 positions, left main.right main. 45°	E2S3K□□◇L△.I
		3 positions, left mome.right mome.45°	E2S4K□□◇L△.I
3 positions, left main.right mome. 45°	E2S5K□□◇L△.I		
E3SK Flush Knob Selector	Drawing	Handling Type	Part No.
		2 positions, momentary 45°	E3S1K□□
		2 positions, maintained 90°	E3S2K□□
		2 positions, maintained 90° _V shape	E3S2K□□.V
		3 positions, left main.right main. 45°	E3S3K□□
		3 positions, left mome.right mome.45°	E3S4K□□
3 positions, left main.right mome. 45°	E3S5K□□		
E3SK Flush Knob Selector	Drawing	Handling Type	Part No.
		2 positions, momentary 45°	E3S1K□□◇L△.I
		2 positions, maintained 90°	E3S2K□□◇L△.I
		2 positions, maintained 90° _V shape	E3S2K□□◇L△.V.I
		3 positions, left main.right main. 45°	E3S3K□□◇L△.I
		3 positions, left mome.right mome.45°	E3S4K□□◇L△.I
3 positions, left main.right mome. 45°	E3S5K□□◇L△.I		


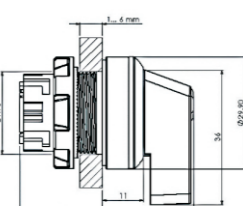
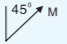
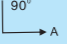
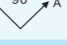
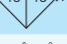
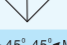

16mm  
Control Switches

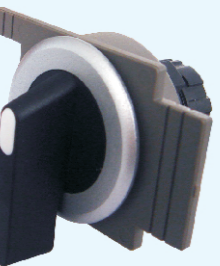
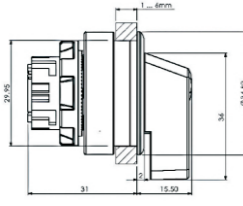
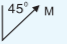
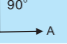
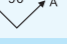



22/25/30mm  
Control Switches

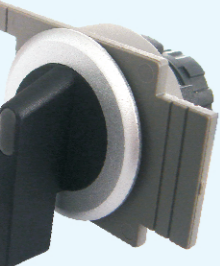
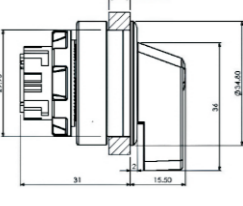
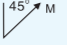
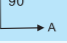




30/50/70mm  
Multi-Layer  
Light Tower



E2SL Lever Selector	Drawing	Handling Type	Part No.
		 2 positions, momentary 45°	E2S1L□□
		 2 positions, maintained 90°	E2S2L□□
		 2 positions, maintained 90° _V shape	E2S2L□□.V
		 3 positions, left main.right main. 45°	E2S3L□□
		 3 positions, left mome.right mome.45°	E2S4L□□
		 3 positions, left main.right mome. 45°	E2S5L□□

E2SL Lever Selector	Drawing	Handling Type	Part No.
		 2 positions, momentary 45°	E2S1L□□◇L△.I
		 2 positions, maintained 90°	E2S2L□□◇L△.I
		 2 positions, maintained 90° _V shape	E2S2L□□◇L△.V.I
		 3 positions, left main.right main. 45°	E2S3L□□◇L△.I
		 3 positions, left mome.right mome.45°	E2S4L□□◇L△.I
		 3 positions, left main.right mome. 45°	E2S5L□□◇L△.I

E3SL Flush Lever Selector	Drawing	Handling Type	Part No.
		 2 positions, momentary 45°	E3S1L□□
		 2 positions, maintained 90°	E3S2L□□
		 2 positions, maintained 90° _V shape	E3S2L□□.V
		 3 positions, left main.right main. 45°	E3S3L□□
		 3 positions, left mome.right mome.45°	E3S4L□□
		 3 positions, left main.right mome. 45°	E3S5L□□

E3SL Flush Lever Selector	Drawing	Handling Type	Part No.
		 2 positions, momentary 45°	E3S1L□□◇L△.I
		 2 positions, maintained 90°	E3S2L□□◇L△.I
		 2 positions, maintained 90° _V shape	E3S2L□□◇L△.V.I
		 3 positions, left main.right main. 45°	E3S3L□□◇L△.I
		 3 positions, left mome.right mome.45°	E3S4L□□◇L△.I
		 3 positions, left main.right mome. 45°	E3S5L□□◇L△.I

- Remarks:
1. Handling type: M= Momentary, A= Maintained ; mome.= Momentary, main.= Maintained
  2. □□Contact mode: 1A=1NO, 1B=1NC, AB=1NO+1NC, 2A=2NO, 2B=2NC and etc.  
Note that the sequence of contact blocks should be consistent with the handling type, in this situation, AB means left A contact and right B,BA means left B contact and right A.
  3. ◇Lamp Voltage:1=6VDC, 2=12VDC, 3=24VDC, 4=110VAC, 5=220VAC  
L=LED lamp,D= Incandescent lamps,A=Discharged lamps(Incandescent lamps powered by 110VAC,220VAC are not available. Discharged lamps powered by 110 VAC、 220VAC are available only. Omission=without lamp.
  4. △Light source color : R=Red, Y=Yellow, G=Green, B=Blue, W=White.
  5. Pushbutton without lamp could be attached the 3rdcontact. Please add extra A or B code following the contact mode to present the mode of the 3rdcontact, A means 1 normally open and B1 normally close.
  6. Please change "E" to "H" for protection rating IP65.
  7. Please add \*M in the last of order no. if you would like to change the black plastic front ring to the metal ring.
  8. Please add 'R, 'Y, 'G, 'B, 'W, 'K, 'E if plastic ring of red, yellow, blue, white, black, grey to be replaced.

Drawing



- Elegant and sophisticated design, add the extra value and esthetic feeling into applications
- Professional selection of engineering materials, overcome the harshest of your environment
- Friendly handling and module design, save your treasure time while installation
- Flexible and module assembly, effectively decrease the cost of stock
- Whole series slim; delicate and light, up to the requirement of protection IP40 and IP65
- Lower and flush mounting actuators, highly increase the fine appearance of your panel
- 22、 25 and 30mm mounting holes, fulfill your intentions of choice and replacement



**Coding Principle**

Pushbutton Switches E2P/E3P

E	2	R	1	R	1	B
---	---	---	---	---	---	---

Part No.	Code Description
E	Classification : E=IP40 Standard H=IP65 Rubber-sealed
2	Mounting size : 2=22mm、 25mm Standard mounting 3= 30mm Standard mounting
R1	Reset mode : R1=Rotate to reset
R	Cap color : R=Red
1B	Contact mode : A=1NO B=1NC, provide 1A,2A,3A,4A,1B,2B,3B,4B,AB,2A2B,3A3B,2A1B,1A2B,3A1B,1A3B

**Drawing**

Page >>> P.247

E2R1 Emergency Stop Switches	Drawing	Color	Reset Mode	Part No.
			rotate to reset	E2R1R□□
E3R1 Emergency Stop Switches	Drawing	Color	Reset Mode	Part No.
			rotate to reset	E3R1R□□

- Remarks:
1. □□ Contact Mode: 1A=1NO, 1B=1NC, 2A=2NO, 2B=2NC, AB=1NO+1NC and etc.
  2. Please change “E” to “H” for protection rating IP65.
  3. Please add \*M in the last of order no. if you would like to change the yellow plastic front ring to the metal ring.



- 3 models meet with EN IEC 60947-5-5:rotate to reset,pull to reset,key to rest
- Elegant and sophisticated design, add the extra value and esthetic feeling into applications
- Professional selection of engineering materials, overcome the harshest of your environment
- Friendly handling and module design, save your treasure time while installation
- Flexible and module assembly, effectively decrease the cost of stock
- Whole series slim; delicate and light, up to the requirement of protection IP40 and IP65
- 22/25mm mounting holes, fulfill your intentions of choice and replacement



Coding Principle

E-stop Switch	E	2	E	1	R	1	B	3	L	R	.I
---------------	---	---	---	---	---	---	---	---	---	---	----

Part No.	Code Description
E	Classification : E=IP40 Standard H=IP65 Rubber-sealed
2	Mounting size : 2=22mm、 25mm Standard mounting
E1	Reset mode : E1=rotate to reset E2=pull to reset E3=key to reset
R	Cap color : R=Red
1B	Contact mode : A=1NO B=1NC, provide 1A,2A,3A,4A,1B,2B,3B,4B,AB,2A2B,3A3B,2A1B,1A2B,3A1B,1A3B
3	Operating voltage : 1=6VDC,2=12VDC,3=24VDC,4=110VAC,5=220VAC
L	Light source:L=LED lamp,Omission=Without lamp
R	Lamp color:R=Red LED
.I	Lamp type:I=Illuminated Omission=Non-illuminated
Notice	E1:With lamp or without lamp E2:No lamp for E2、 E3

E2E1 Non-illuminated	Drawing	Color	Reset Mode	Part No.
			rotate to reset	E2E1R□□
E2E1 Illuminated	Drawing	Color	Reset Mode	Part No.
			rotate to reset	E2E1R□□◇LR.I
E2E2 Push-Pull	Drawing	Color	Reset Mode	Part No.
			pull to reset	E2E2R□□
E2E3 Keylock	Drawing	Color	Reset Mode	Part No.
			key to reset	E2E3R□□

Remarks:

- Contact Mode: 1A=1NO, 1B=1NC, provide 1A,2A,3A,4A,1B,2B,3B,4B,AB,2A2B,3A3B,2A1B,1A2B,3A1B,1A3B
- ◇ Lamp Voltage:1=6VDC, 2=12VDC, 3=24VDC, 4=110VAC, 5=220VAC
- Illuminated switch includes a red LED
- Please change "E" to "H" for protection rating IP65

16mm Control Switches

22/25/30mm Control Switches

30/50/70mm Multi-Layer Light Tower





- Elegant and sophisticated design, add the extra value and esthetic feeling into applications
- Professional selection of engineering materials, overcome the harshest of your environment
- Friendly handling and module design, save your treasure time while installation
- Flexible and module assembly, effectively decrease the cost of stock
- Whole series slim; delicate and light, up to the requirement of protection IP40 and IP65
- Lower and flush mounting actuators, highly increase the fine appearance of your panel
- 22、 25 and 30mm mounting holes, fulfill your intentions of choice and replacement



**Coding Principle**

Keylock Switches E2K/E3K	E	2	K	1	W	1	A	.	V
--------------------------	---	---	---	---	---	---	---	---	---

Part No.	Code Description
E	Classification : E=IP40 Standard H=IP65 Rubber-sealed
2	Mounting size : 2=22mm、 25mm Standard mounting 3= 30mm Flush mounting
K1	Handling type : K1=2 Positions, momentary 45° ; K2=2 Positions, maintained 90° K7=3 Positions, left momentary 45° right maintained 90° K8=3 Positions, left maintained 90° right maintained 90°
W	Key pull : W=Three inlets, I=One inlet, V=Two inlets
1A	Contact mode : A=1NO B=1NC, provide 1A,2A,3A,4A,1B,2B,3B,4B,AB,2A2B,3A3B,2A1B,1A2B,3A1B,1A3B
.V	Handle shape : V= V shape, omission= L shape(only for S2 handing type)

**Drawing**

E2K keylock	Drawing	Handling Type	Part No.
		2 positions, momentary 45°, one inlet	E2K1□□
		2 positions, maintained 90°, one inlet	E2K2□□
		2 positions, maintained 90°, two inlets	E2K2V□□
		2 positions, maintained 90°, one inlet _V shape	E2K2□□.V
		2 positions, maintained 90°, two inlets _V shape	E2K2V□□.V
		3 positions, left mome.45° right main. 90°, one inlet	E2K7□□
		3 positions, left mome.45° right main. 90°, two inlets	E2K7V□□
		3 positions, left main.45° right main. 90°, two inlet	E2K8□□
		3 positions, left main.45° right main. 90°, two inlets	E2K8V□□
		3 positions, left main.45° right main. 90°, three inlets	E2K8W□□

E3K Flush Keylock	Drawing	Handling Type	Part No.
		2 positions, momentary 45°, one inlet	E3K1□□
		2 positions, maintained 90°, one inlet	E3K2□□
		2 positions, maintained 90°, two inlets	E3K2V□□
		2 positions, maintained 90°, one inlet _V shape	E3K2□□.V
		2 positions, maintained 90°, two inlets _V shape	E3K2V□□.V
		3 positions, left mome.45° right main. 90°, one inlet	E3K7□□
		3 positions, left mome.45° right main. 90°, two inlets	E3K7V□□
		3 positions, left main.45° right main. 90°, two inlet	E3K8□□
		3 positions, left main.45° right main. 90°, two inlets	E3K8V□□
		3 positions, left main.45° right main. 90°, three inlets	E3K8W□□

- Remarks :
1. Handling type: M= Momentary, A= Maintained; mome.= Momentary, main.= Maintained
  2. □□Contact mode: 1A=1NO, 1B=1NC, AB=1NO+1NC, 2A=2NO, 2B=2NC and etc.  
Note that the sequence of contact blocks should be consistent with the handling type, in this situation, AB means left A contact and right B, BA means left B contact and right A.
  3. (I,V,W) key-pull type: I= One inlet, V= Two inlets, W= Three inlets, " · " means "plug-out" points of keys.
  4. Please change "E" to "H" for protection rating IP65.
  5. Please add \*M in the last of order no. if you would like to change the black plastic front ring to the metal ring.
  6. Please add 'R, 'Y, 'G, 'B, 'W, 'K, 'E if plastic ring of red, yellow, blue, white, black, grey to be replaced.

16mm Control Switches

22/25/30mm Control Switches

30/50/70mm Multi-Layer Light Tower



- Elegant and sophisticated design, add the extra value and esthetic feeling into applications
- Professional selection of engineering materials, overcome the harshest of your environment
- Friendly handling and module design, save your treasure time while installation
- Flexible and module assembly, effectively decrease the cost of stock
- Whole series slim; delicate and light, up to the requirement of protection IP40 and IP65
- Lower and flush mounting actuators, highly increase the fine appearance of your panel
- 22、25 and 30mm mounting holes, fulfill your intentions of choice and replacement



Coding Principle

Buzzers E2B	E	2	B	1	.	0	6
-------------	---	---	---	---	---	---	---

Part No.	Code Description
E	Classification : E=IP40 Standard H=IP65 Rubber-sealed
2	Mounting size : 2=22mm、25mm Standard mounting 3= 30mm Flush mounting
B1	Tone mode : B1=Continuous, B2=Intermittent
.06	Operating voltage : 06=6VDC, 12=12VDC, 24=24VDC, 11=110VAC, 22=220VAC


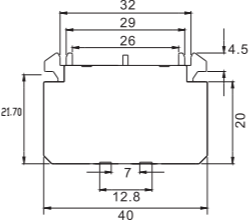


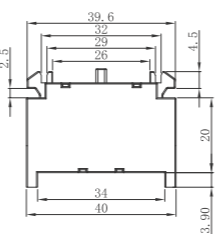


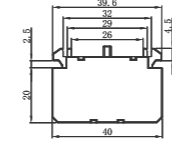

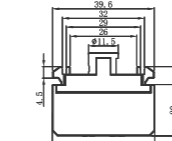

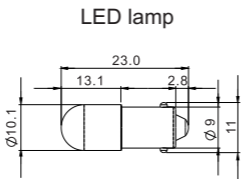

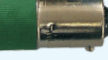


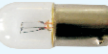
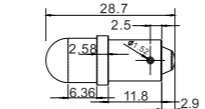
Drawing


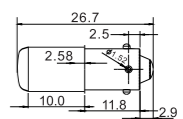


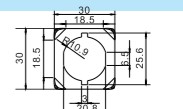

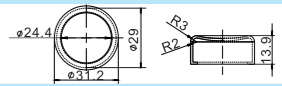

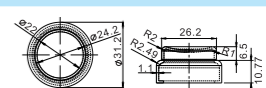

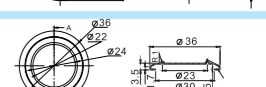

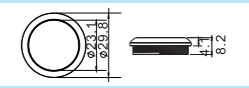

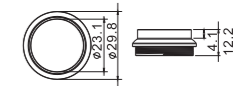
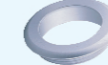
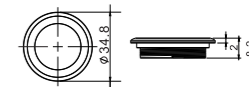

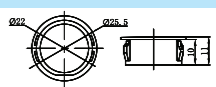

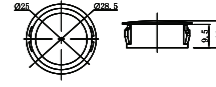

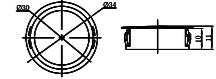
Page	>>> P.247-248
------	---------------

E2B DC Buzzer	Drawing	Voltage	Continuous Part No.	Intermittent Part No.
		6VDC	E2B1.06	E2B2.06
		12VDC	E2B1.12	E2B2.12
		24VDC	E2B1.24	E2B2.24
		-	-	-
		-	-	-
		-	-	-
E2B AC Buzzer	Drawing	Voltage	Continuous Part No.	Intermittent Part No.
		110VAC	E2B1.11	E2B2.11
		220VAC	E2B1.22	E2B2.22
		-	-	-
		-	-	-
		-	-	-
		-	-	-
E3B DC Buzzer	Drawing	Voltage	Continuous Part No.	Intermittent Part No.
		6VDC	E3B1.06	E3B2.06
		12VDC	E3B1.12	E3B2.12
		24VDC	E3B1.24	E3B2.24
		-	-	-
		-	-	-
		-	-	-
E3B AC Buzzer	Drawing	Voltage	Continuous Part No.	Intermittent Part No.
		110VAC	E3B1.11	E3B2.11
		220VAC	E3B1.22	E3B2.22
		-	-	-
		-	-	-
		-	-	-
		-	-	-

- Remarks: 1. Sound maximum 100dB at a distance 70 cm.  
 2. A buzzer by flush mounting is only offered a metal cover.  
 3. Please change "E" to "H" for protection rating IP65.

Accessories

Order No.	Contact block	Description	Drawing
2SWA		2SWA1: 1 normally open, green, 3 — .4	
2SWB		2SWB1: 1 normally close, red, 1 — .2	
Order No.	Connected contact block	Description	Drawing
2SWA.1		2SWA1: 1 normally open, green, 3 — .4	
2SWB.1		2SWB1: 1 normally close, red, 1 — .2	
Order No.	Auxiliary	Description	Drawing
2SWC		2SWC: suitable to only IA or IB	
Order No.	Lamp Holder	Description	Drawing
2LH		X1(+)-X2(-) Make the right connection, while polarized LED lamps installed.	
Order No.	Lamp	Description	Drawing
L.BA9S-L06.R(Y/G/B/W)		LED Lamp Red(Yellow/ Green/Blue/White), 6VDC/AC	
L.BA9S-L12.R(Y/G/B/W)		LED Lamp Red(Yellow/ Green/Blue/White), 12VDC/AC	
L.BA9S-L24.R(Y/G/B/W)		LED Lamp Red(Yellow/ Green/Blue/White), 24VDC/AC	
L.BA9S-L11.R(Y/G/B/W)		LED Lamp Red(Yellow/ Green/Blue/White), 110 VAC	
L.BA9S-L22.R(Y/G/B/W)		LED Lamp Red(Yellow/ Green/Blue/White), 220 VAC	
L.BA9S-D06(12/24)		Incandescent lamp, 6VDC/AC (12/24)	

Order No.	Lamp	Description	Drawing
L.BA9S-A11.R(G)		Discharged Lamp Red(Green), 110VAC	
L.BA9S-A22.R(G)		Discharged Lamp Red(Green), 220VAC	
Order No.	Anti-twisting Ring	Description	Drawing
02Z-100		Only for standard mounting to increase anti-twisting torque while working.	
Order No.	Protective Cap	Description	Drawing
02Z-200.F		F=Suitable to flat head/button pushbutton	
02Z-200.P		P=Suitable to raised head/button pushbutton	
02Z-200.M		M=Suitable to flush flat head/button pushbutton	
Order No.	Metallic Front Ring	Description	Drawing
02Z-300.L		L=Low ring (suitable to standard mounting spec.)	
02Z-300.H		H=High ring (suitable to standard mounting spec.)	
02Z-300.F		F=Flat ring (suitable to flush mounting spec.)	
Order No.	Blind Plug	Description	Drawing
02Z-400.22		22= Suitable to 22mm mounting hole	
02Z-400.25		25= Suitable to 25mm mounting hole	
02Z-400.30		30= Suitable to 30mm mounting hole	


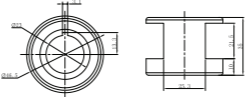

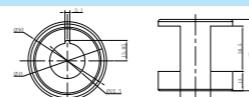

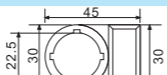

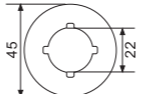







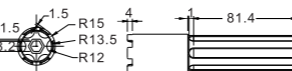

16mm Control Switches

22/25/30mm Control Switches

30/50/70mm Multi-Layer Light Tower



Accessories

Order No.	Emergency Protective Cover	Description	Drawing
02Z-500.R		For mushroom emergency stop switches	
Order No.	Emergency Protective High-length Cover	Description	Drawing
02Z-502.R		For foolproof E-stop switches	
Order No.	Plate	Description	Drawing
02Z-600.22		Suitable to 22mm mounting hole	
Order No.	Emergency stop ring	Description	Drawing
02Z-900.0 02Z-900.0N		External diameter: 45mm, "N" represents that 3M paster is not attached.	
02Z-900.1 02Z-900.1N		External diameter: 45mm, "N" represents that 3M paster is not attached.	
02Z-901.0 02Z-901.0N		External diameter: 60mm, "N" represents that 3M paster is not attached.	
02Z-901.1 02Z-901.1N		External diameter: 60mm, "N" represents that 3M paster is not attached.	
Order No.	Nut Fixer	Description	Drawing
02Z-T01		Fixing torque ranges from 2 to 3 Nm, maximum torque not exceeding 3 Nm.	
Order No.	Key	Description	Drawing
02Z-K268		No.268 key is suitable for key switch and key type emergency stop switch	-