

材質與表面處理

- 本體與掀把:不銹鋼(SUS304)。
- 軸心BS-171,BS-172,BS-173:不銹鋼(SUS304)。
- 擋片:不銹鋼(SUS304)。
- 表面處理:拋毛絲面。

特徵

- 專利設計安裝簡便。
- 耐熱、耐腐蝕性。
- 左、右、上、三方向兼用型。
- 開啓可後退3mm開閉迴轉順暢。
- 關門後門板可迫緊箱框不搖動。
- 防塵、防水(IP66)

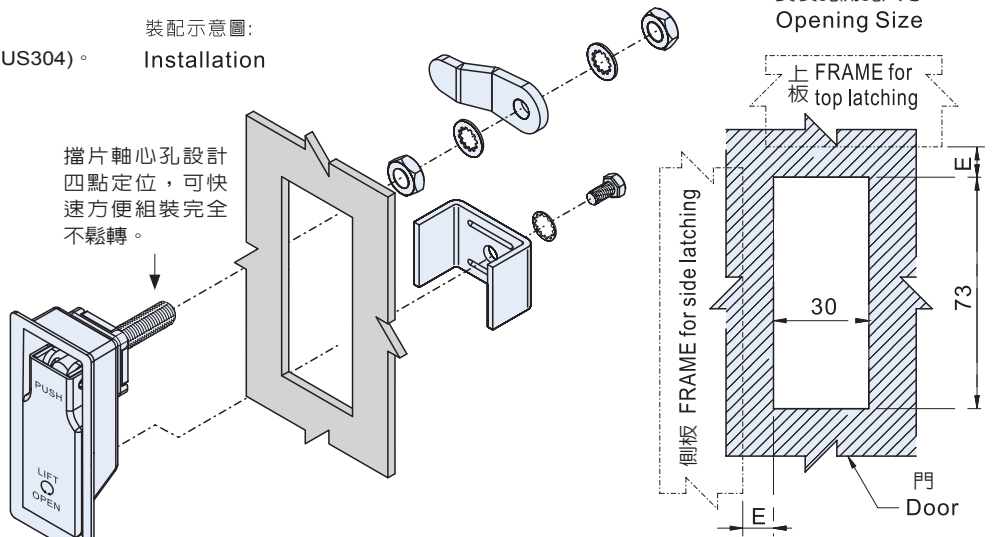
MATERIAL AND FINISH

- Body and Lever: Stainless steel (SUS304). Vibration ground and Brushed finish in front.
- Shaft: Stainless steel (SUS304).
- Pawl and Mounting Bracket: Stainless Steel (SUS304).

FEATURES

- Pawl is fixed by 4 positioning points and the grooved shaft-bolt, easy for assembly and adjustment. Need only to slide the pawl through the shaft-groove to the correct position, more stable and accurate. (PAT)
- Resistance to heat, corrosion and dust.
- Left, right and top opening.
- Once opened, the pawl will be 3mm pull-up reversed to allow lever rotated smoothly.
- Once closed, the pawl will be 3mm pull-up forward to compress the panel and cabinet box securely.
- Dust-resistant and waterproof (IP66).

裝配示意圖: Installation



安裝孔開孔尺寸 Opening Size

Opening Size:

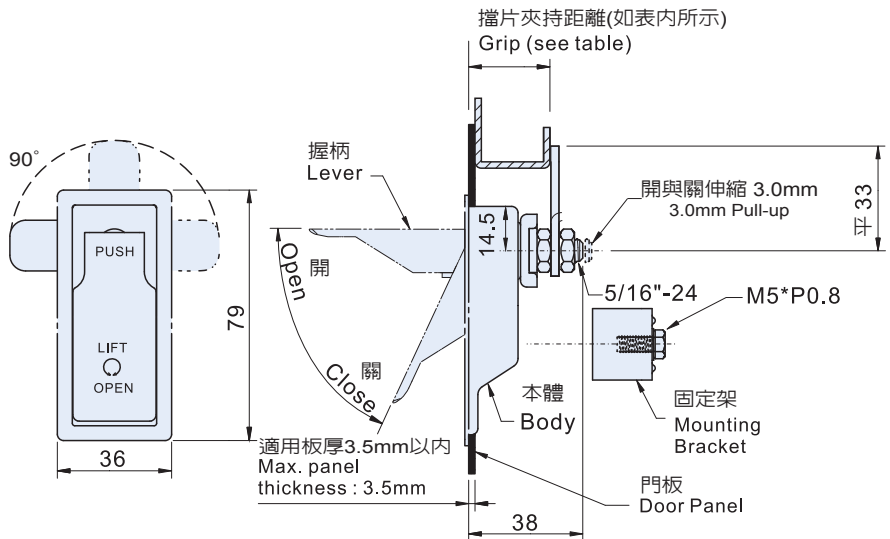
產品編號 Item No.	擋片型式 Pawl Applicable	安裝孔與門框建議距離(E) Suggested distance between the installation hole and panel (E)
BS-171	44S 14S, 15S, 16S	8~10
BS-172 BS-173	14S, 15S, 16S	11~13

擋片型式請參照P.39

Pawl specification : see page 39

BS-171

迫緊門鎖(短軸型) Lift-and-Turn Latch, Short Shaft



用途

- 適用於淺箱體、薄門板,或內部空間較淺者,擋片夾持距離固定。
- 可依尺寸規格表內選用之固定夾持距離而設計箱體。
- 現場裝配者只需旋轉一顆螺母即可快速安裝擋片。

APPLICATION

- Turn only on nut to fit pawl quickly.
- For shallow boxes, thin door panels or any shallow inside space box.

SPECIFICATIONS:

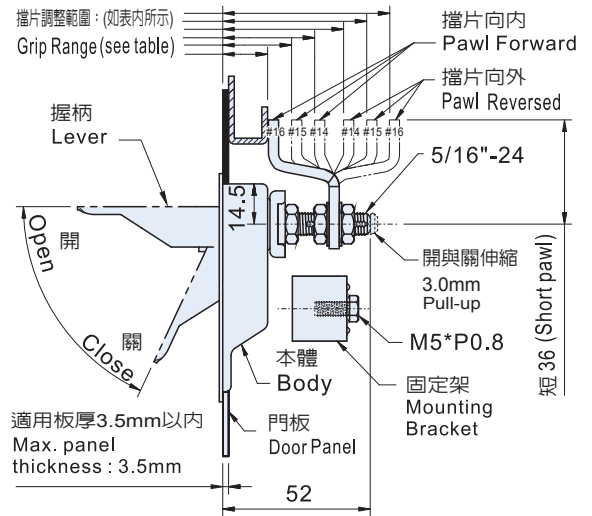
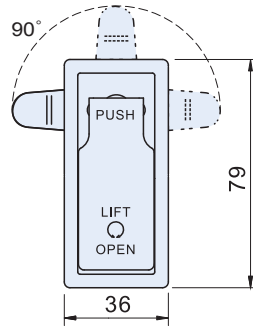
Unit:mm

產品編號 Item No.	擋片型式 Pawl Type 不銹鋼 SUS304	擋片夾持距離 Grip Range		重量 Weight (g)
		向內 Pawl Forward	向外 Pawl Reversed	
BS-171744(W)	44S	26		150
BS-171714(W)	14S	21	31	152.8
BS-171715(W)	15S	13	39	153.8
BS-171716(W)	16S	5	47	156.4

BS-172 Series 迫緊門鎖(標準軸型) *Lift-and-Turn Latch, Standard Shaft*



BS-172



用途

- 擋片調整範圍大且適中，可廣泛使用於一般門板箱體設計上。
- 擋片可自由調整至使用者關門迫緊時較適當之鬆緊程度。

FEATURES

- Used widely for door panel of general cabinet boxes.
- Pawl can be easily positioned to accommodate the suitable compression.

SPECIFICATIONS:

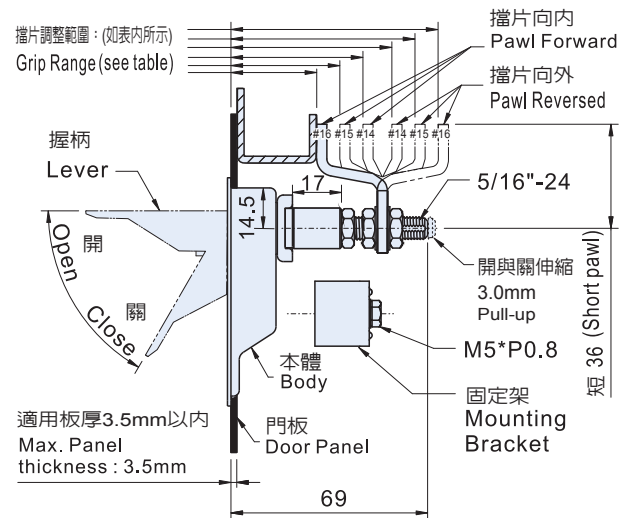
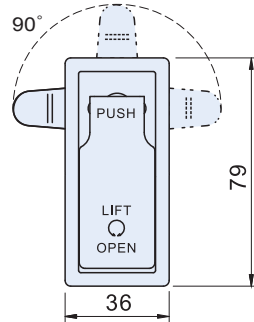
Unit:mm

產品編號 Item No.	擋片型式 Pawl Type	擋片調整範圍 Grip Range		重量 Weight (g)
	不銹鋼 SUS304	向內 Pawl Forward	向外 Pawl Reversed	
BS-172714(W)	14S	27~37	37~47	164
BS-172715(W)	15S	19~29	45~55	165.5
BS-172716(W)	16S	11~21	53~63	167.8

BS-173 Series 迫緊門鎖(長軸型) *Lift-and-Turn Latch, Long Shaft*



BS-173



用途

- 適用於門板內裝設隔音、隔熱材料，或門框較厚之箱體或櫃體。
- 軸心加長可直接穿過隔音材料，不需因擋片彎型過深於擺動時干涉隔音、隔熱材料。

APPLICATION

- For deep boxes, thicker door panels, etc.
- Pawl can be easily positioned to accommodate the suitable compression.

SPECIFICATIONS:

Unit:mm

產品編號 Item No.	擋片型式 Pawl Type	擋片調整範圍 Grip Range		重量 Weight (g)
	不銹鋼 SUS304	向內 Pawl Forward	向外 Pawl Reversed	
BS-173714(W)	14S	44~54	54~64	169
BS-173715(W)	15S	36~46	62~72	170.5
BS-173716(W)	16S	28~38	70~80	172.8