

2024

工业照明灯与智能报警灯

INDUSTRIAL LIGHTING AND
INTELLIGENT SIGNAL LIGHTS

安全·耐用·智能



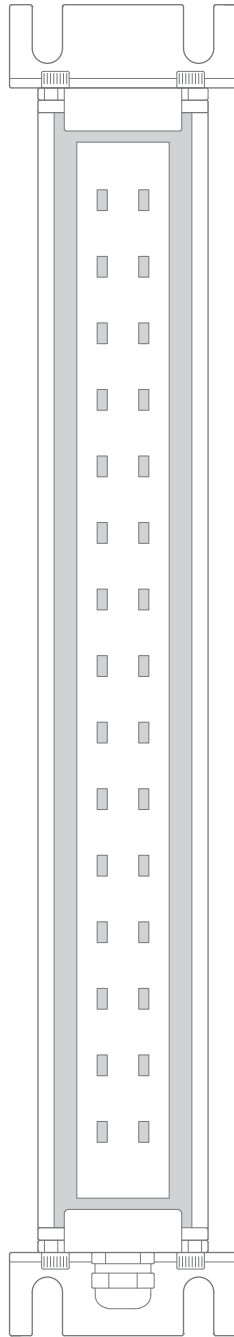
 IO-Link

广州市欧登照明科技有限公司
Otennlux Lighting Technology Co.,LTD



Otennlux®

Safty. Durable. Smart



www.otennlux.com



欧登照明

广州市欧登照明科技有限公司成立于2008年,是专业从事LED工作灯、智能报警灯与扬声器的设计、研发、生产、销售及服务于一体的高新技术企业,主要应用于机器人、机床、设备、加工中心、电柜、生产流水线、仓库、机车、检验、航空航天、船舶、化工、医疗等工业照明领域。

Otennlux Lighting Technology Co., Ltd. was established in 2008. It is a high-tech enterprise specializing in the design,R&D, production, sales and service of LED work lights, smart warning light and speaker, It is used in the fields of industrial lighting such as robert, machine tools, equipment, processing centers, electrical cabinets, production lines, warehouses, locomotives, inspections, aerospace, shipbuilding, chemicals, and medical treatment.

欧登精神 Otennlux Light Spirit

我们的目标是为全球工业照明制造安全、耐用、智能的产品,为客户提供最优的应用解决方案。为此欧登照明将竭尽全力,以专业、专注的精神,追求更好品质,客户的意见是对公司最大的帮助。

Our goal is to create a safe, durable and smart product for global industrial lighting. For this purpose, Otennlux lighting will do its utmost to pursue better quality with a professional and dedicated spirit.

服务理念 Service Philosophy

为客户提供最优的应用解决方案,客户的满意是我们的标准,客户的意见是对公司最大的帮助。

To provide customers with the best application solutions, customer satisfaction is our standard, and customer opinions are the greatest help to the company.

质量理念 Quality Philosophy

追求零缺陷,更好,没有极限。

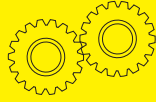
Otennlux lighting pursue zero defects, better, no limit.

合作伙伴 Partner

注：顺序不涉及排名先后



MACHINE/AUTOMATIC/ROBOT
机械/设备/自动化/机器人



- 管状防爆LED灯 Tube LED Light
- 鹅颈式LED灯 Flexible-Tube LED Light
- 扁平式LED灯 Flat LED Light
- LED多功能警示灯 LED Multi-Functional Signal Light
- ESLED灯 ESLED Light
- 基座LED灯 Pivoting-Head LED Light
- 臂式LED灯 Arm-Mounted LED Light



CABINET/WAREHOUSE
电柜/冷柜/仓库



- 管状防爆LED灯 Tube LED Light
- FSLED灯 FSLED Light
- GSLED灯 GSLED Cabinet Light
- HSLED灯 HSLED Cabinet Light
- LED多功能警示灯 LED Multi-Functional Signal Light



R&D AND INSPECTION
实验与检测室



- 管状防爆LED灯 Tube LED Light
- 鹅颈式LED灯 Flexible-Tube LED Light
- LED工作台灯 LED Working Table Light
- 放大镜灯 Magnifier LED Light
- LED多功能警示灯 LED Multi-Functional Signal Light
- GSLED灯 GSLED Signal Light
- HSLED灯 HSLED Signal Light



RAIL TRANSIT
轨道交通



- 管状防爆LED灯 Tube LED Light
- 扁平式LED灯 Flat LED Light
- ESLED灯 ESLED Light
- FSLED灯 FSLED Light
- LED多功能警示灯 LED Multi-Functional Signal Light
- GSLED灯 GSLED Signal Light
- HSLED灯 HSLED Signal Light



WORKSHOP
车间



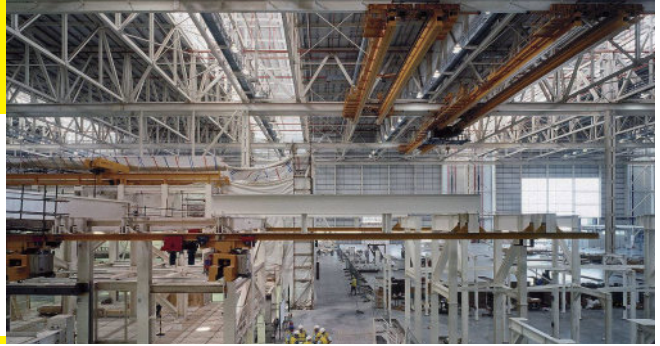
- 管状防爆LED灯 Tube LED Light
- ESLED灯 ESLED Light
- 扁平式LED灯 Flat LED Light
- GSLED灯 GSLED Signal Light
- HSLED灯 HSLED Signal Light



AEROSPACE 航空航天



- 管状防爆LED灯 Tube LED Light
- 鹅颈式LED灯 Flexible-Tube LED Light
- 扁平式LED灯 Flat LED Light
- LED多功能警示灯 LED Multi-Functional Signal Light
- ESLED灯 ESLED Light
- 基座LED灯 Pivoting-Head LED Light
- GSLED灯 GSLED Signal Light
- HSLED灯 HSLED Signal Light



CAR 汽车



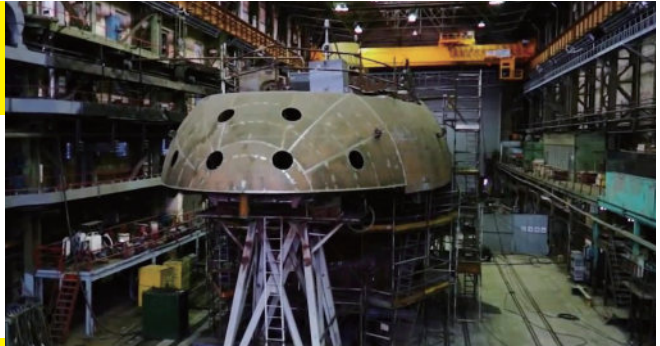
- 管状防爆LED灯 Tube LED Light
- FSLED灯 FSLED Light
- LED多功能警示灯 LED Multi-Functional Signal Light
- GSLED灯 GSLED Signal Light
- HSLED灯 HSLED Signal Light



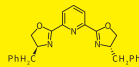
SHIPPING 船舶



- 管状防爆LED灯 Tube LED Light
- 鹅颈式LED灯 Flexible-Tube LED Light
- LED多功能警示灯 LED Multi-Functional Signal Light
- GSLED灯 GSLED Signal Light
- HSLED灯 HSLED Signal Light



CHEMICAL 化工



- 管状防爆LED灯 Tube LED Light
- 扁平式LED灯 Flat LED Light
- ESLED灯 ESLED Light
- FSLED灯 FSLED Light
- LED多功能警示灯 LED Multi-Functional Signal Light
- GSLED灯 GSLED Signal Light
- HSLED灯 HSLED Signal Light



MEDICINE 医疗



- 管状防爆LED灯 Tube LED Light
- ESLED灯 ESLED Light
- 扁平式LED灯 Flat LED Light
- LED多功能警示灯 LED Multi-Functional Signal Light
- GSLED灯 GSLED Light
- HSLED灯 HSLED Light



目录contents

防爆工作灯 WORKING LIGHT

 QLED管状防爆灯 QLED Series P10-11	 OL60系列管状防爆灯 OL60 Series P12	 60LED-M管状防爆灯 60LED-M Series P13	 OL60-T24管状防爆灯 OL60-T24 Series P14	 OL70系列管状防爆灯 OL70 Series P15	 AL30管状防爆灯 AL30 Series P16	 AL45管状防爆灯 AL45 Series P17	 AL60管状防爆灯 AL60 Series P18
 BL30管状防爆灯 BL30 Series P19	 BL60管状防爆灯 BL60 Series P20	 CL30管状防爆灯 CL30 Series P21	 BFLED平面LED灯 BFLED Series P22	 FFLED平面LED灯 FFLED Series P23	 CLED管状防爆灯 CLED Series P24	 ELED管状防爆灯 ELED Series P25	 FHLED平面LED灯 FHLED Series P26-27
 FLED工作灯 FLED Series P28-29	 OFA工作灯 OFA Series P30	 FPLED工作灯 FPLED Series P31	 OFE工作灯 OFE Series P32	 OC LED局部照明灯 OC LED Series P33	 OC4局部照明灯 OC4 Series P34	 OC5局部照明灯 OC5 Series P35	 TLED工作台灯 TLED Series P36

机床工作灯 WORKING LIGHT

 EMLED底座/臂式灯 EMLED Series P39-40	 SPLED鹅颈灯 SPLED Series P41	 SPLED1鹅颈灯 SPLED1 Series P42	 SLED鹅颈灯 SLED Series P43-44	 SLED3鹅颈灯 SLED3 Series P45
---	---	---	--	---



车载用泛光灯 FLOOD LIGHT

 FLLED系列泛光灯 FLLED Series P48	 OLLED系列泛光灯 OLLED Series P49
--	--

电柜灯 ELECTRIC CABINET LIGHT

 DSLED电柜灯 DSLED Series P52	 FSLED电柜灯 FSLED Series P53	 FSLED1电柜灯 FSLED1 Series P54	 GSLED支架灯 GSLED Series P55	 GSLED2电柜灯 GSLED2 Series P56	 HSLED支架灯 HSLED Series P57	 HSLED2电柜灯 HSLED Series P58	 KSLED感应灯 KSLED Series P59
 QSLED2电柜灯 QSLED2 Series P60	 OSLED2电柜灯 OSLED2 Series P61						

视觉照明 VISUAL LIGHT

 OVF光源 OVF Series P64	 OVO光源 OVO Series P65	 OVR环形无影光源 OVR Series P66	 OVT面发光 OVT Series P67
---	---	---	--

LED警示灯 SIGNAL LIGHT



OLL三色灯条
OLL Series
P70



OLL2流水灯
OLL2 Series
P71



OLL3~7三色灯条
OLL3~7 Series
P72~76



OLL8流水灯
OLL8 Series
P77



OLL9七色灯条
OLL9 Series
P78



OLWS警示灯
OLWS Series
P79



OLC警示灯
OLC Series
P80



OLM警示灯
OLM Series
P81



OL5A警示灯
OL5A Series
P82



OL5B警示灯
OL5B Series
P83



OL5C/OL6C警示灯
OL5C/OL6C Series
P84-85



OS50/60警示灯
OS50/60 Series
P86-87



OLT警示灯
OLT Series
P88



OGL警示灯
OGL Series
P89



ODB警示灯
ODBSeries
P90



MSL警示灯
MSL Series
P71



BMSL警示灯
BMSL Series
P92-93



OLS警示灯
OLS Series
P94



OD警示灯
OD Series
P95



OLA警示灯
OLA Series
P96



OM警示灯
OM Series
P97



OB警示灯
OB Series
P98



OLQ警示灯
OLQ Series
P99-101



OS警示灯
OS Series
P102-103



OP警示灯
OP Series
P104



OH警示灯
OH Series
P105



OSLC警示灯
OSLCSeries
P106



OLE警示灯
OLE Series
P107



OLD警示灯
OLD Series
P108



OL6E警示灯
OL6E Series
P109



OL5E警示灯
OL5E Series
P110



OCS防水警示灯
OCS Series
P111

LED指示灯 INDICATOR LIGHT



O30/50/70/90警示灯
O30/50/70/90 Series
P114



O51警示灯
O51 Series
P115



N18/22警示灯
N18/22 Series
P116



H30/50警示灯
H30/50 Series
P117



OI警示灯
OI Series
P118



OR警示灯
OR Series
P119



OL5J/OL6J警示灯
OL5J/OL6J Series
P120

声光控报警灯与扬声器 SOUND AND LIGHT CONTROL SIGNAL LIGHTAND SPEAKERS



OSLA声光警示灯
OSLA Series
P123-124



OSLB声光警示灯
OSLB Series
P125



OSLC声光警示灯
OSLC Series
P126-127



OSLD声光警示灯
OSLD Series
P128



OSLE声光警示灯
OSLE Series
P129



OSLA-SPK声光扬声器
OSLA-SPK Series
P130-132



OLSPK信号扬声器
OLSPK Series
P133-136



DOLSPK信号扬声器
DOLSPK Series
P137-139

智能警示灯 INTELLIGENT SIGNAL LIGHT



OLG智能警示灯
OLG IO-Link Series
P142-144



O50智能警示灯
O50 IO-Link Series
P145



T50触摸警示灯
T50 Series
P146



T51触摸警示灯
T51 Series
P147



B50压力按钮警示灯
B50 Serie
P148



I50红外线警示灯
I50 Series
P149



TLS调光控制器
TLS Series
P150



OBS/O5C USB警示灯
USB Series
P151



OM USB警示灯
OM USB Series
P152



MSL USB警示灯
MSL USB Series
P153



OS60 USB警示灯
OS60 USB Series
P154



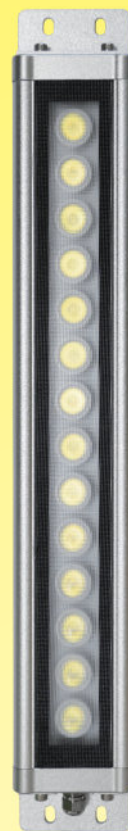
OLSY警示灯
OLSY Series
P155



RS485警示灯
RS485 Series
P156

配件 ACCESSORIES

P157



www.otennlux.com





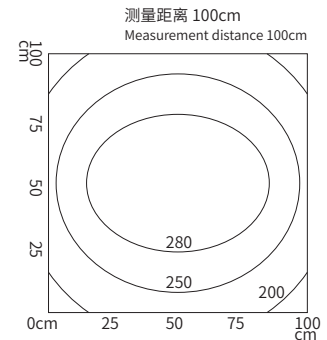
防爆工作灯 WORKING LIGHT

欧登LED工业照明解决方案, 造型时尚, 品质优良, 低功耗高效能, 使用寿命长达50000小时, 具有防水、防油、防蚀与防爆功能, 安装简易、维修率低。适用于CNN机床、激光设备、数控机床、自动设备、包装设备、木工设备、雕铣机、玻璃雕刻机、纺织设备、检测设备、安检设备等。

Otennlux LED industrial lighting solution, stylish, excellent quality, low power consumption and high efficiency, service life up to 50000 hours, with waterproof, oil, corrosion and explosion-proof functions, easy installation, low maintenance rate. Suitable for CNN machine tools, laser equipment, CNC machine tools, automatic equipment, packaging equipment, woodworking equipment, engraving and milling machines, glass engraving machines, textile equipment, inspection equipment, security inspection equipment, etc.



C支架灯 Type C bracket lamp



基于6W实例灯具 测量单位:lx
illuminance based on the example 6W UNIT:lx

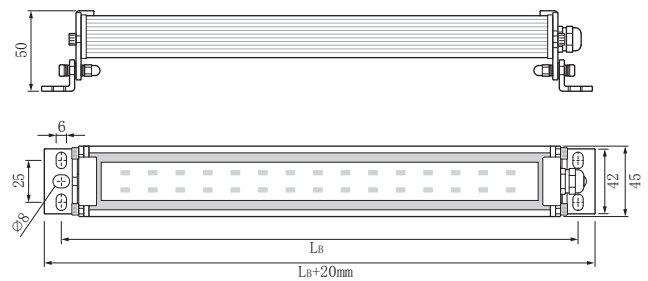
IP67	暖白 4000k 4500k	正白 6000k 6500k	I or III	>80	100% CNC	M12	1.5M	+55 -25	寿命 life 50000h	⚠	45mm
------	----------------------	----------------------	----------	-----	-------------	-----	------	------------	-------------------	---	------

QLED系列管状防爆LED灯 Tube LED Light



B支架灯 Type B bracket lamp

LB: 安装尺寸 Installation Dimension



- 具有防水、防油、防蚀与防爆功能
- 采用散热性良好的优质铝，安全性高的透明钢化玻璃
- 高品质交/直流电子驱动器，低功耗、保护电路、寿命长
- With waterproof, oil-proof, anti-corrosion and explosion-proof functions
- Adopt high-quality aluminum with good heat dissipation and transparent toughened glass with high safety
- High-quality AC/DC electronic driver, low power consumption, protection circuit, long life

应用场所:

数控机床、组合机床、加工中心、电柜、冷库、矿井及其他照明。

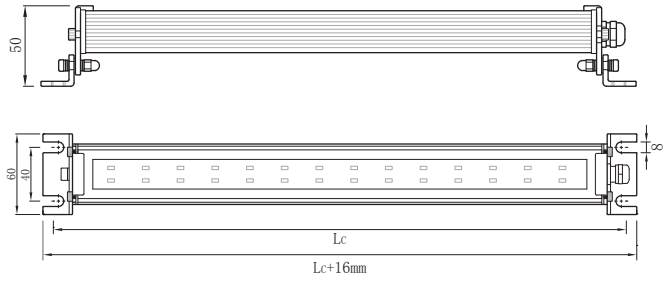
Application:

CNC machine tools, machine tool, machining center, cold storage, electrical cabinet, freezer, mine and other lighting.



C支架灯 Type C bracket lamp

Lc:安装尺寸 Installation Dimension



默认:防水接头及1.5m电源线
Default: waterproof connector and 1.5m power cord






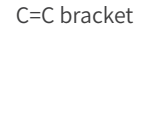

可选: M12四芯接头
Optional: M12 four-core connector

订购型号 示例(order eg.):

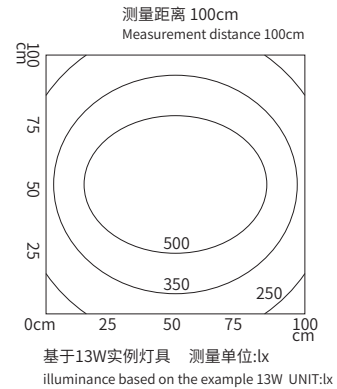
QLED3 - 1 06 - 1 C

└──┬──┘ └──┬──┘ └──┬──┘

6W 24V DC 6000K~6500K正白 C支架 C bracket

型号Model	功率Power	LB(mm)	Lc(mm)	数字(Num)	电压(In. Vol)	色温(Color Tem.)	支架(Bracket)
QLED3-103-□□	3W	108	118	1	24V DC	6000K~6500K正白	 B=B支架 B=B bracket
QLED3-104-□□	4W	165	175				
QLED3-105-□□	5W	208	218				
QLED3-106-□□	6W	293	303	2	24V DC	4000K~4500K暖白	 B=B支架 B=B bracket
QLED3-110-□□	10W	293	303				
QLED3-111-□□	11W	323	333				
QLED3-112-□□	12W	415	425	3	100~277V AC 50/60Hz	6000K~6500K正白	 B=B支架 B=B bracket
QLED3-113-□□	13W	445	455				
QLED3-115-□□	15W	505	515				
QLED3-118-□□	18W	591	601	4	100~277V AC 50/60Hz	4000K~4500K暖白	 C=C支架 C=C bracket
QLED3-120-□□	20W	640	650				
QLED3-122-□□	22W	715	725				
QLED3-124-□□	24W	781	791	11	24V AC/DC	6000K~6500K正白	 B=B支架 B=B bracket
QLED3-126-□□	26W	875	885				
QLED3-130-□□	30W	1006	1016				
QLED3-140-□□	40W	1240	1250	12	24V AC/DC	4000K~4500K暖白	 C=C支架 C=C bracket
QLED3-150-□□	50W	1542	1552				

照度值 (Luminous Flux) >120 lm/W



	暖白 4000k 4500k	正白 6000k 6500k		>80 icon"/>	100% CNC				寿命 life 50000h		
--	----------------------	----------------------	--	-------------	-------------	--	--	--	-------------------	--	--

OL60系列管状防爆LED灯 Tube LED Light

- 扩散板防眩,使操作人员处于良好舒适的光环境下工作
- 具有防水、防油、防蚀与防爆功能
- 光线分布均匀,显色性强,照明效果好,不刺眼

- The diffuser is anti-glare, so that the operator can work in a good and comfortable light environment
- With waterproof, oil-proof, anti-corrosion and explosion-proof functions
- Uniform light distribution, strong color rendering, good lighting effect, not glare



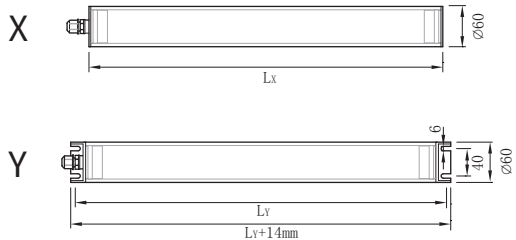
应用场所:

数控机床、组合机床、加工中心、电柜、冷库、矿井及其他照明。

Application:

CNC machine tools, machine tool, machining center, cold storage, electrical cabinet, freezer, mine and other lighting.

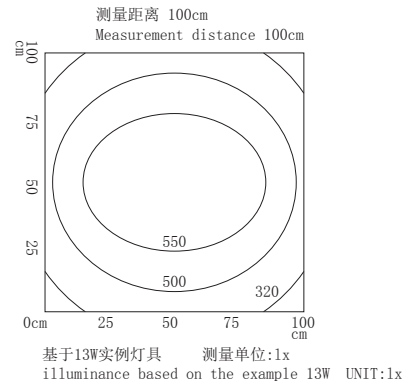
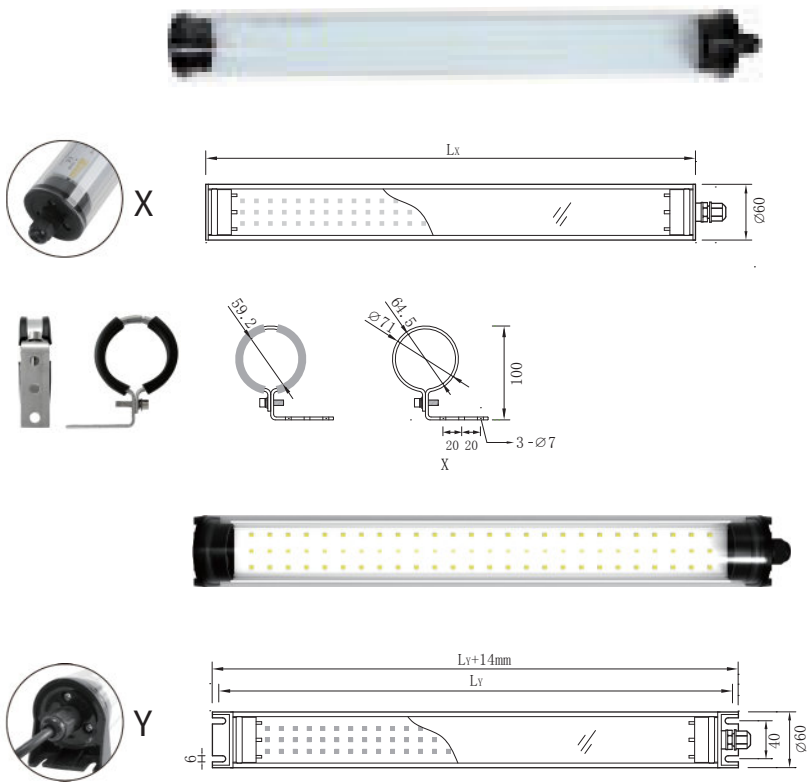
L:安装尺寸 Installation Dimension



型号 Model	功率 Power	Lx(mm)	Ly(mm)	数字 (Num)	电压 (In. Vol)	色温 (Color Tem.)	支架 (Bracket)
OL60-6-□□	6W	285	305	1	24V DC	6000K~6500K正白	X=X型支架 X=X bracket
OL60-9-□□	9W	325	345	2	24V DC	4000K~4500K暖白	
OL60-13-□□	13W	475	495	3	100~277V AC 50/60Hz	6000K~6500K正白	
OL60-17-□□	17W	505	525	4	100~277V AC 50/60Hz	4000K~4500K暖白	
OL60-20-□□	20W	670	690	11	24V AC/DC	6000K~6500K正白	Y=Y型支架 Y=Y bracket
OL60-24-□□	24W	775	795	12	24V AC/DC	4000K~4500K暖白	
OL60-32-□□	32W	1205	/				
OL60-40-□□	40W	1495	/				

照度值 (Luminous Flux) > 120 lm/W

60LED-M系列管状防爆LED灯 Tube LED Light



订购型号 示例(order eg.):

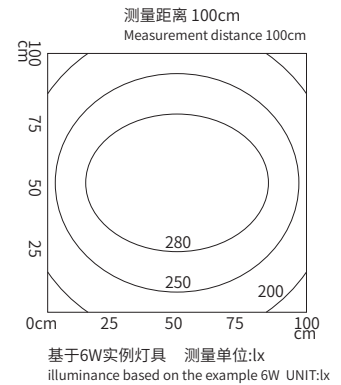
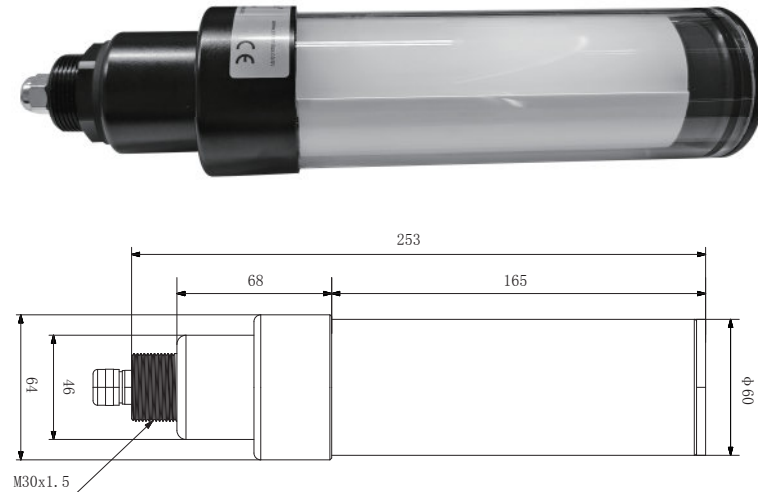
OL60LED - M0 248 - 1 X

9W
24V DC
6000K~6500K正白
X支架 X bracket

管材类型: 硼硅玻璃/透明亚克力
 Tube Type: Borosilicate glass/Transparent Acrylic

型号 Model	功率 Power	LX(mm)	LY(mm)	数字 (Num)	电压 (In. Vol)	色温 (Color Tem.)	支架 (Bracket)
OL60LED-M0230-□□	6W	285	305	1	24V DC	6000K~6500K正白	X=X型支架 X=X bracket
OL60LED-M0248-□□	9W	325	345	2	24V DC	4000K~4500K暖白	
OL60LED-M0266-□□	13W	475	495	3	100~277V AC 50/60Hz	6000K~6500K正白	
OL60LED-M0284-□□	17W	530	550	4	100~277V AC 50/60Hz	4000K~4500K暖白	Y=Y型支架 Y=Y bracket
OL60LED-M0296-□□	20W	670	690	11	24V AC/DC	6000K~6500K正白	
OL60LED-M02120-□□	24W	775	795	12	24V AC/DC	4000K~4500K暖白	
OL60LED-M02160-□□	32W	1205	/				
OL60LED-M02200-□□	40W	1495	/				

照度值 (Luminous Flux) > 120 lm/W



暖白 正白

IP67 4000k 4500k 6000k 6500k I or III >80 100% CNC M12 1.5M +55 -25 寿命 life 50000h 45mm

OL60-T24系列列管状防爆LED灯 Tube LED Light

- 扩散板防眩, 使操作人员处于良好舒适的光环境下工作
- 具有防水、防油、防蚀与防爆功能
- 光线分布均匀, 显色性强, 照明效果好, 不刺眼

- The diffuser is anti-glare, so that the operator can work in a good and comfortable light environment
- With waterproof, oil-proof, anti-corrosion and explosion-proof functions
- Uniform light distribution, strong color rendering, good lighting effect, not glare

应用场所:

数控机床、组合机床、加工中心、电柜、冷库、矿井及其他照明。

Application:

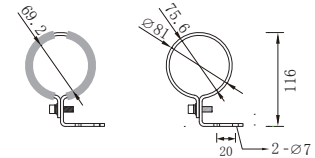
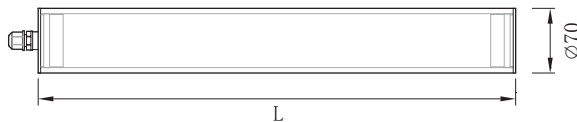
CNC machine tools, machine tool, machining center, cold storage, electrical cabinet, freezer, mine and other lighting.

型号 Model	数字 (Num)	电压 (In. Vol)	色温 (Color Tem.)
OL60-T24- <input type="checkbox"/>	1	24V DC	6000K~6500K正白
	2	24V DC	4000K~4500K暖白
	3	100~277V AC 50/60Hz	6000K~6500K正白
	4	100~277V AC 50/60Hz	4000K~4500K暖白

照度值 (Luminous Flux) > 120 lm/W



安装支架
Mounting bracket



暖白 正白

IP67 4000k 4500k 6000k 6500k I or III >80 100% CNC M12 1.5M +55 -25 寿命 life 50000h 70mm

OL70系列管状防爆LED灯 Tube LED Light

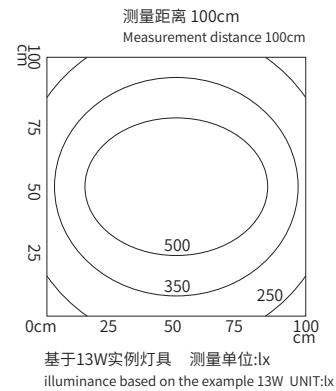
- Ø70玻璃, 扩散板防眩, 使操作人员处于良好舒适的光环境下工作
- 具有防水、防油、防蚀与防爆功能
- 光线分布均匀, 显色性强, 照明效果好, 不刺眼
- Ø70 glass, diffusion plate anti-glare, so that the operator in a good comfortable light environment to work
- With waterproof, oil-proof, anti-corrosion and explosion-proof functions
- Uniform light distribution, strong color rendering, good lighting effect, not glare

应用场所:

数控机床、组合机床、加工中心、电柜、冷库、矿井及其他照明。

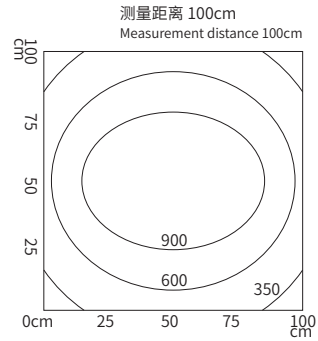
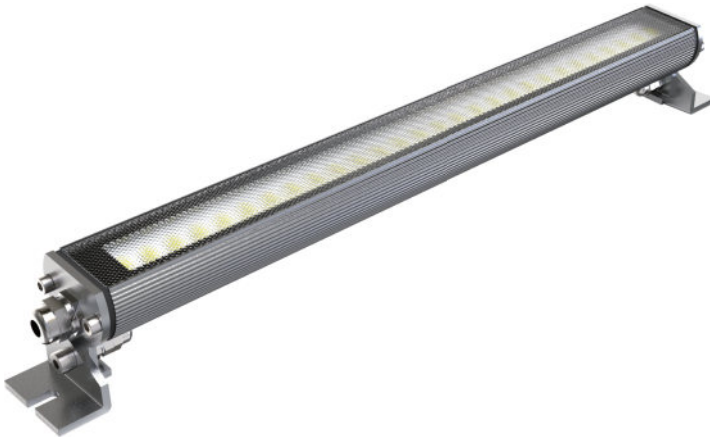
Application:

CNC machine tools, machine tool, machining center, cold storage, electrical cabinet, freezer, mine and other lighting.



型号 Model	功率 Power	L(mm)	数字 (Num)	电压 (In. Vol)	色温 (Color Tem.)
OL70-6-□□	6W	285	1	24V DC	6000K~6500K正白
OL70-9-□□	9W	325	2	24V DC	4000K~4500K暖白
OL70-13-□□	13W	475	3	100~277V AC 50/60Hz	6000K~6500K正白
OL70-17-□□	17W	505	4	100~277V AC 50/60Hz	4000K~4500K暖白
OL70-20-□□	20W	670	11	24V AC/DC	6000K~6500K正白
OL70-24-□□	24W	775	12	24V AC/DC	4000K~4500K暖白
OL70-32-□□	32W	1205			
OL70-40-□□	40W	1495			

照度值 (Luminous Flux) >120 lm/W



基于15W实例灯具 测量单位:lx
 illuminance based on the example 15W UNIT:lx

IP67	暖白 4000k ~ 4500k	正白 6000k ~ 6500k	I or III	>80	100% CNC	M12	1.5M	+55 -25	寿命 life 50000h	30mm
------	---------------------------	---------------------------	----------	-----	-------------	-----	------	------------	-------------------	------

AL30系列管状防爆LED灯 Tube LED Light

- 小巧灵活, 光线分布均匀, 照明效果好
- 散热性良好的优质铝, 耐久性好
- 具有防水、防油、防蚀与防爆功能

- Small and flexible, uniform light distribution, good lighting effect
- High-quality aluminum with good heat dissipation, good durability
- With waterproof, oil-proof, anti-corrosion and explosion-proof functions

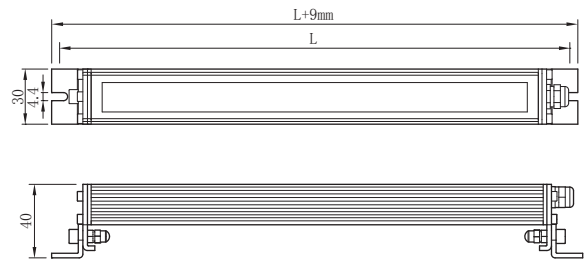


应用场所:

数控机床、组合机床、加工中心、电柜、冷库、矿井及其他照明。

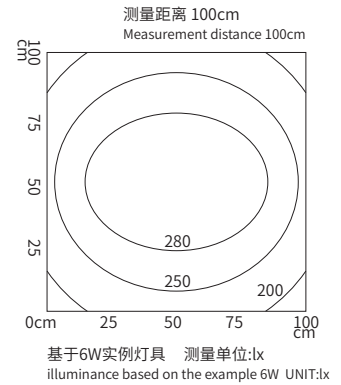
Application:

CNC machine tools, machine tool, machining center, cold storage, electrical cabinet, freezer, mine and other lighting.



型号Model	功率Power	L(mm)	数字(Num)	电压(In. Vol)	色温(Color Tem.)
AL30-3-□	3W	150	1	24V DC	6000K~6500K正白
AL30-6-□	6W	220			
AL30-9-□	9W	300	2	24V DC	4000K~4500K暖白
AL30-12-□	12W	400	3	100~277V AC 50/60Hz	6000K~6500K正白
AL30-15-□	15W	500			
AL30-22-□	22W	790	4	100~277V AC 50/60Hz	4000K~4500K暖白
AL30-26-□	26W	985			

照度值 (Luminous Flux) > 120 lm/W

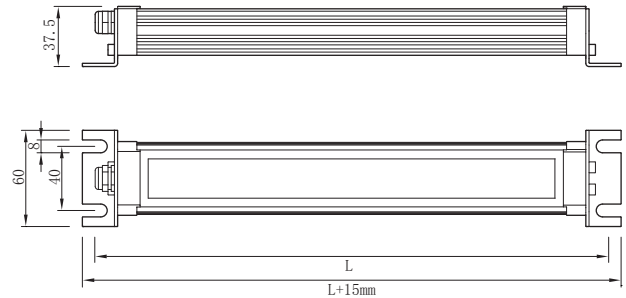


	暖白 4000k 4500k	正白 6000k 6500k		>80 icon"/>	100% CNC				寿命 life 50000h		
--	----------------------	----------------------	--	-------------	-------------	--	--	--	-------------------	--	--

AL45系列管状防爆LED灯 Tube LED Light

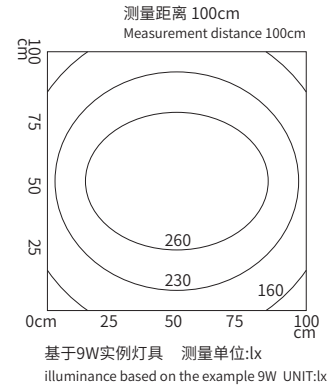
- 扩散板防眩,使操作人员处于良好舒适的光环境下工作
 - 具有防水、防油、防蚀与防爆功能
 - 光线分布均匀,显色性强,不刺眼
 - 安装简易、维修率低
- The diffuser is anti-glare, so that the operator can work in a good and comfortable light environment
 - With waterproof, oil-proof, anti-corrosion and explosion-proof functions
 - Even light distribution, strong color rendering, not glare
 - Easy installation and low maintenance rate

安装尺寸 Installation Dimension



型号Model	功率Power	L(mm)	数字(Num)	电压(In. Vol)	色温(Color Tem.)
AL45-3-□	3W	135	1	24V DC	6000K~6500K正白
AL45-5-□	5W	235			
AL45-6-□	6W	321			
AL45-10-□	10W	321			
AL45-12-□	12W	443			
AL45-15-□	15W	533	2	24V DC	4000K~4500K暖白
AL45-18-□	18W	619			
AL45-20-□	20W	668			
AL45-24-□	24W	808			
AL45-30-□	30W	1033			

照度值 (Luminous Flux) > 120 lm/W



支架
Bracket

IP67	暖白 4000k 4500k	正白 6000k 6500k	I or III	>80	100% CNC	M12	1.5M	+55 -25	寿命 life 50000h	60mm
------	----------------------	----------------------	----------	-----	-------------	-----	------	------------	-------------------	------

AL60系列管状防爆LED灯 Tube LED Light

- 可自由调节安装
- 具有防水、防油、防蚀与防爆功能
- 安装简易、维修率低

- Freely adjustable installation
- With waterproof, oil-proof, anti-corrosion and explosion-proof functions
- Easy installation and low maintenance rate

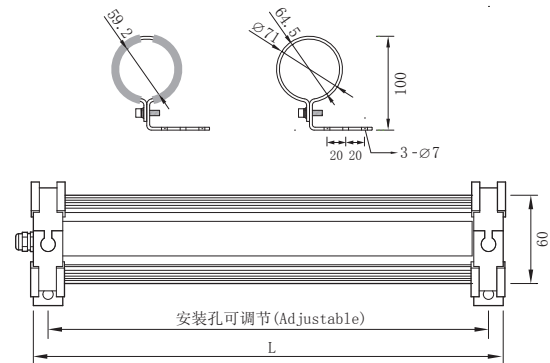


应用场所:

数控机床、组合机床、加工中心、电柜、冷库、矿井及其他照明。

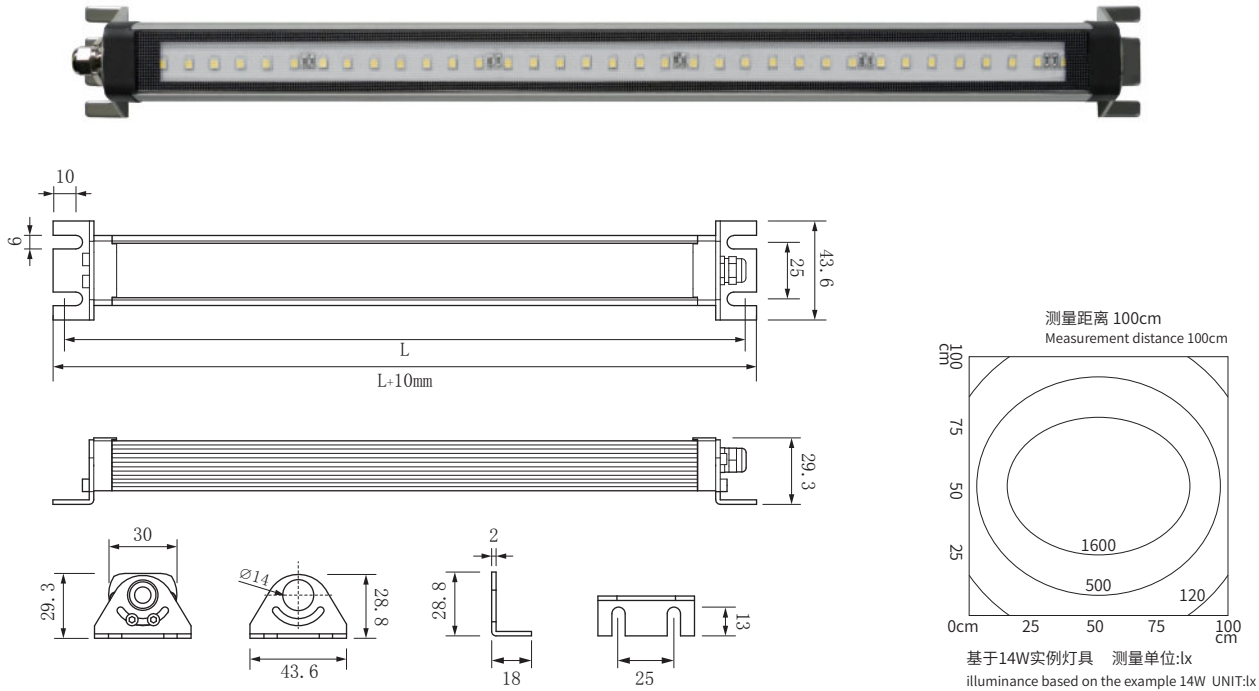
Application:

CNC machine tools, machine tool, machining center, cold storage, electrical cabinet, freezer, mine and other lighting.



型号 Model	功率 Power	L (mm)	数字 (Num)	电压 (In. Vol)	色温 (Color Tem.)
AL60-9-□	9W	285	1	24V DC	6000K~6500K正白
AL60-13-□	13W	430	2	24V DC	4000K~4500K暖白
AL60-17-□	17W	490	3	100~277V AC 50/60Hz	6000K~6500K正白
AL60-20-□	20W	630	4	100~277V AC 50/60Hz	4000K~4500K暖白
AL60-24-□	24W	735	11	24V AC/DC	6000K~6500K正白
			12	24V AC/DC	4000K~4500K暖白

照度值 (Luminous Flux) > 120 lm/W



BL30系列管状防爆LED灯 Tube LED Light

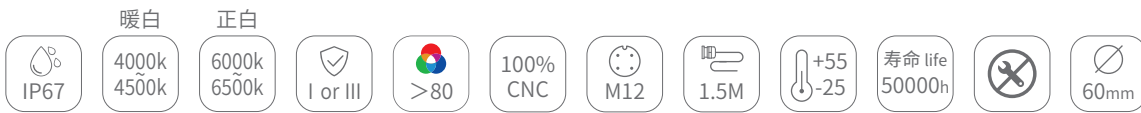
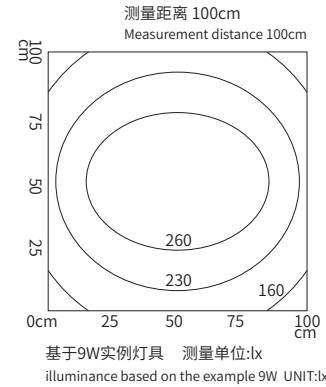
- 光线分布均匀, 显色性强, 照明效果好
- 安装简易, 维修率低
- Uniform distribution of light, excellent color rendering and good lighting effects;
- Easy installation and low maintenance;

应用场所:
数控机床、组合机床、加工中心、电柜、冷库、矿井及其他照明。

Application:
CNC machine tools, machine tool, machining center, cold storage, electrical cabinet, freezer, mine and other lighting.

型号Model	功率Power	L(mm)	数字(Num)	电压(In. Vol)	色温(Color Tem.)	
BL30-3-□	3W	158	1	24V DC	6000K~6500K正白	
BL30-6-□	6W	228				
BL30-9-□	9W	308		2	24V DC	4000K~4500K暖白
BL30-12-□	12W	408				
BL30-15-□	15W	508	3	100~277V AC 50/60Hz	6000K~6500K正白	
BL30-22-□	22W	798				
BL30-26-□	26W	988	4	100~277V AC 50/60Hz	4000K~4500K暖白	

照度值 (Luminous Flux) > 120 lm/W



BL60系列管状防爆LED灯 Tube LED Light

- 经典管状设计, 时尚简洁
- 具有防水、防油、防蚀与防爆功能
- 安装简易、维修率低

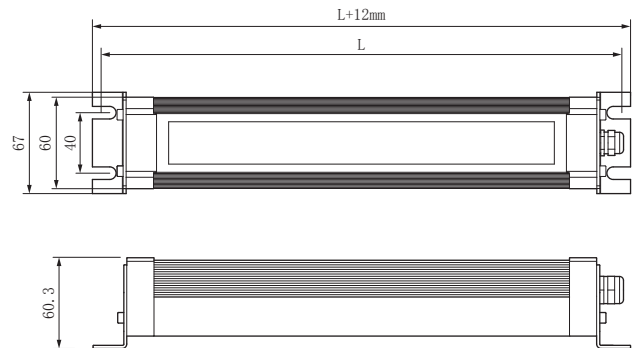
- Classic tubular design, stylish and simple
- With waterproof, oil-proof, anti-corrosion and explosion-proof functions
- Easy installation and low maintenance rate

应用场所:

数控机床、组合机床、加工中心、电柜、冷库、矿井及其他照明。

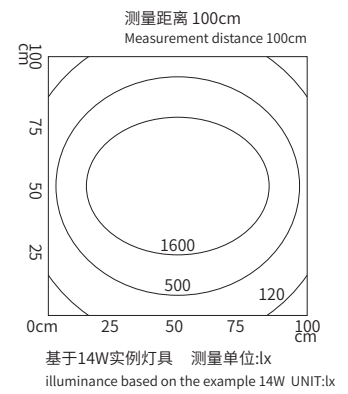
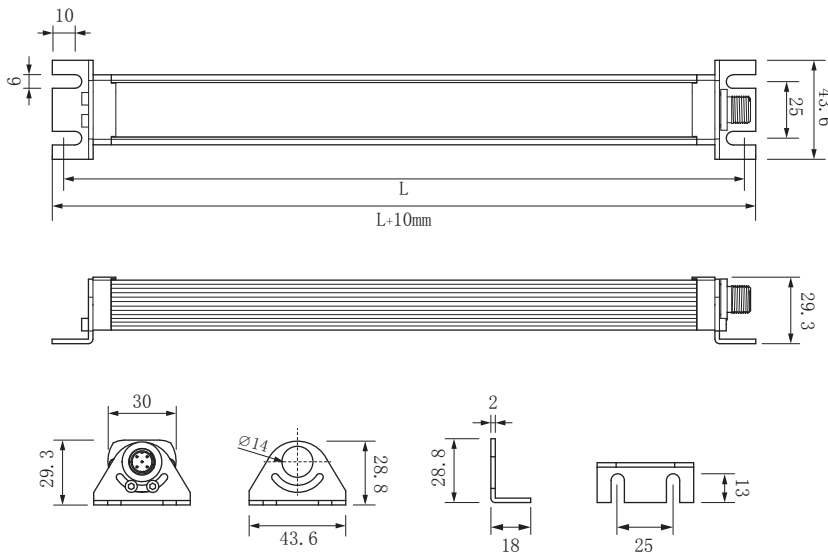
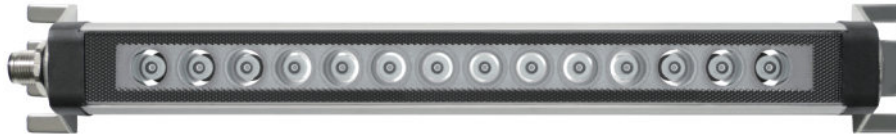
Application:

CNC machine tools, machine tool, machining center, cold storage, electrical cabinet, freezer, mine and other lighting.



型号 Model	功率 Power	L(mm)	数字 (Num)	电压 (In. Vol)	色温 (Color Tem.)
BL60-9-□	9W	344	1	24V DC	6000K~6500K正白
BL60-13-□	13W	490	2	24V DC	4000K~4500K暖白
BL60-17-□	17W	548	3	100~277V AC 50/60Hz	6000K~6500K正白
BL60-20-□	20W	688	4	100~277V AC 50/60Hz	4000K~4500K暖白
BL60-24-□	24W	793	11	24V AC/DC	6000K~6500K正白
			12	24V AC/DC	4000K~4500K暖白

照度值 (Luminous Flux) > 120 lm/W



CL30系列管状防爆LED灯 Tube LED Light

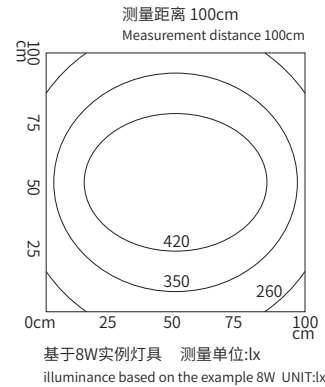
- 光线分布均匀,显色性强,照明效果好
- 安装简易、维修率低
- Uniform distribution of light, excellent color rendering and good lighting effects;
- Easy installation and low maintenance;

应用场所:
数控机床、组合机床、加工中心、电柜、冷库、矿井及其他照明。

Application:
CNC machine tools, machine tool, machining center, cold storage, electrical cabinet, freezer, mine and other lighting.

型号 Model	功率 Power	L(mm)	数字 (Num)	电压 (In. Vol)	色温 (Color Tem.)
CL30-7-□	7W	296	1	24V DC	6000K~6500K正白
CL30-14-□	14W	546			
CL30-21-□	21W	802	2	24V DC	4000K~4500K暖白
CL30-28-□	28W	1002			

照度值 (Luminous Flux) >120 lm/W

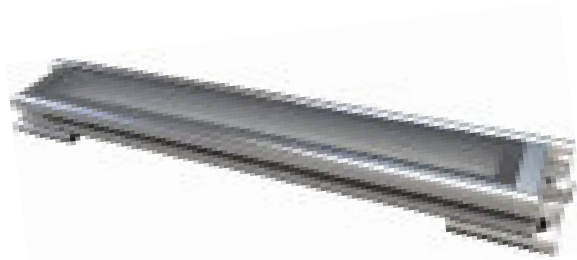


IP65	暖白 4000k 4500k	正白 6000k 6500k	III	>80	100% CNC	M12	1.5M	+55 -25	寿命 life 50000h	无工具
------	----------------------	----------------------	-----	-----	-------------	-----	------	------------	-------------------	-----

BFLED系列平面LED灯 Flat LED Light

- 180°可调节灯体, 照明更灵活
- 超薄灯体, 占用空间小, 外观简约时尚
- 具有防水、防油、防蚀与防爆功能

- 180°adjustable lamp body, more flexible lighting
- Ultra-thin lamp body, small space occupation, simple and stylish appearance
- With waterproof, oil-proof, anti-corrosion and explosion-proof functions

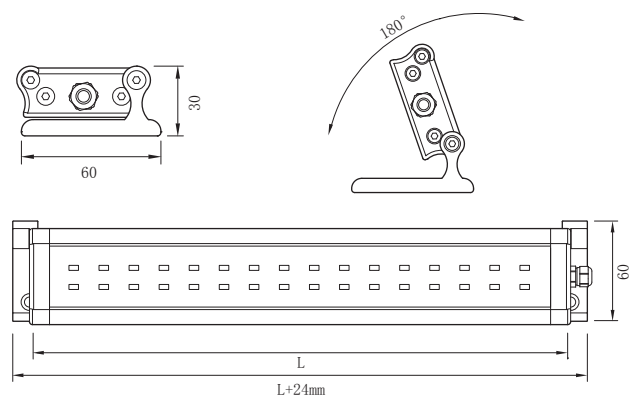


应用场所:

数控机床、组合机床、加工中心及其他照明。

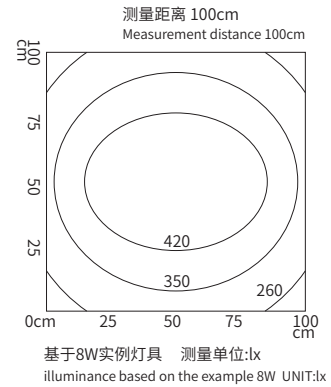
Application:

CNC machine tools, machine tool, machining center and other lighting.



型号Model	功率Power	L(mm)	数字(Num)	电压(In. Vol)	色温(Color Tem.)
BFLED-108-□	8W	288	1	24V DC	6000K~6500K正白
BFLED-112-□	12W	410			
BFLED-115-□	15W	500	2	24V DC	4000K~4500K暖白
BFLED-118-□	18W	586			

照度值 (Luminous Flux) > 120 lm/W



FFLED系列平面LED灯 Flat LED Light

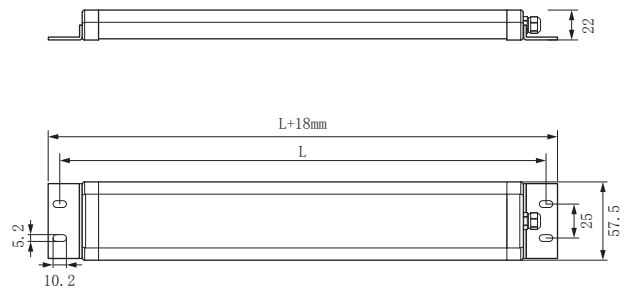
- 超薄灯体, 占用空间小, 圆弧设计简约时尚
- 具有防水、防油、防蚀与防爆功能
- 安装简易, 维修率低
- Ultra-thin lamp body, small footprint, simple and stylish arc design
- With waterproof, oil-proof, anti-corrosion and explosion-proof functions
- Easy installation and low maintenance rate

应用场所:

数控机床、组合机床、加工中心及其他照明。

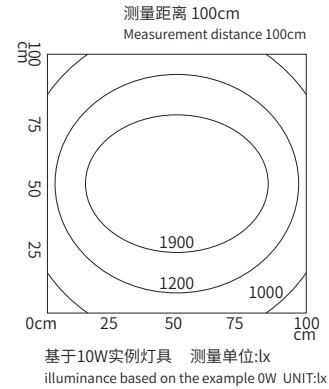
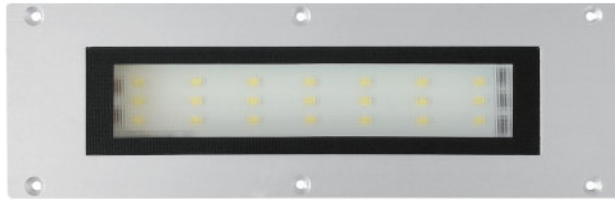
Application:

CNC machine tools, machine tool, machining center and other lighting.



型号Model	功率Power	L(mm)	数字(Num)	电压(In. Vol)	色温(Color Tem.)
FFLED-108-□	8W	271	1	24V DC	6000K~6500K正白
FFLED-112-□	12W	371			
FFLED-124-□	24W	671	2	24V DC	4000K~4500K暖白

照度值 (Luminous Flux) > 120 lm/W



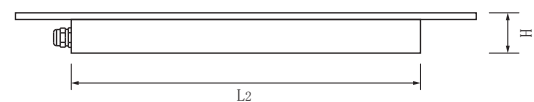
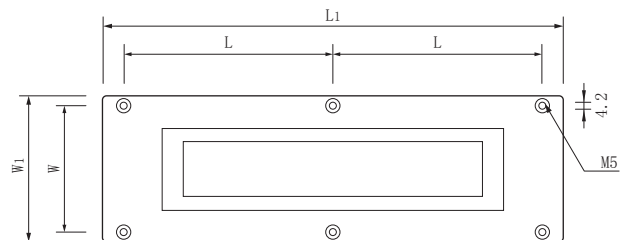
IP67	暖白 4000k 4500k	正白 6000k 6500k	III	>80	100% CNC	M12	1.5M	+55 -25	寿命 life 50000h	无工具
------	----------------------	----------------------	-----	-----	-------------	-----	------	------------	-------------------	-----

CLED嵌入式LED工作灯 Embedded LED Light

- 嵌入式设计, 超薄灯体, 占用空间小
- 光线分布均匀, 显色性强, 照明效果好
- 具有防水、防油、防蚀与防爆功能

- Embedded design, ultra-thin lamp body, small footprint
- Uniform light distribution, strong color rendering, good lighting effect
- With waterproof, oil-proof, anti-corrosion and explosion-proof functions

安装尺寸 Installation Dimension



应用场所:

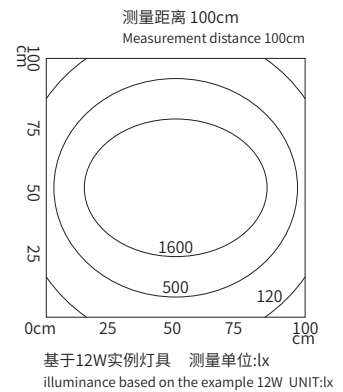
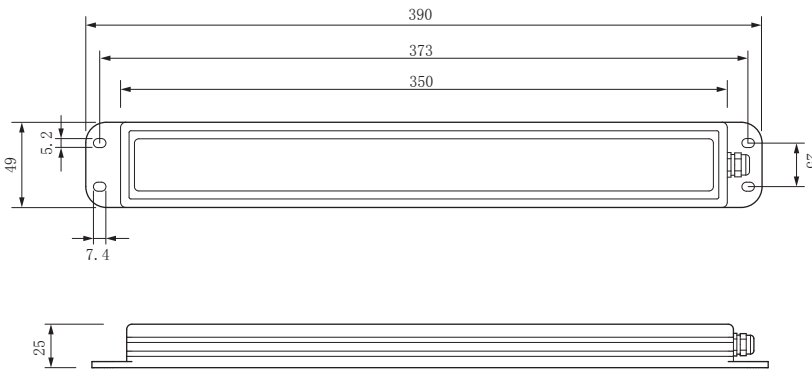
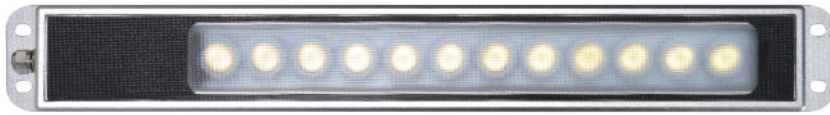
数控机床、组合机床、加工中心及其他照明。

Application:

CNC machine tools, machine tool, machining center and other lighting.

型号Model	功率Power	W(mm)	W1(mm)	L(mm)	L1(mm)	L2(mm)	H(mm)	数字(Num)	电压(In. Vol)	色温(Color Tem.)
CLED-110-□	10W	78	90	133×2	286	217	25	1	24V DC	6000K~6500K正白
CLED-112-□	12W	65	80	187×2	389	327	33.5			4000K~4500K暖白
CLED-115-□	15W	90	105	146.5×2	308	254	29.6	2	24V DC	6000K~6500K正白

照度值 (Luminous Flux) > 120 lm/W



暖白 正白

IP67 4000k~4500k 6000k~6500k III >80 100% CNC M12 1.5M +55 -25 寿命 life 50000h

ELED系列平面防爆LED灯 Flat LED Light

- 防水、防油、防蚀与防爆功能
- 光线分布均匀, 显色性强, 照明效果好
- 安装简易、维修率低

- Good functions of Water proof, oil proof, anti-corrosion and anti-riot
- Uniform distribution of light, excellent color rendering and good lighting effects
- Easy installation and low maintenance

应用场所:

数控机床、组合机床、加工中心、电柜、冷库、矿井及其他照明。

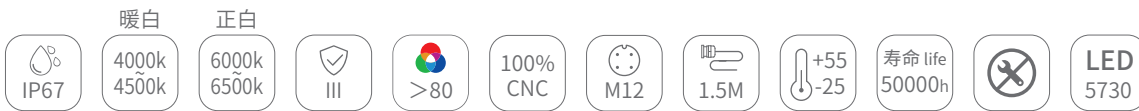
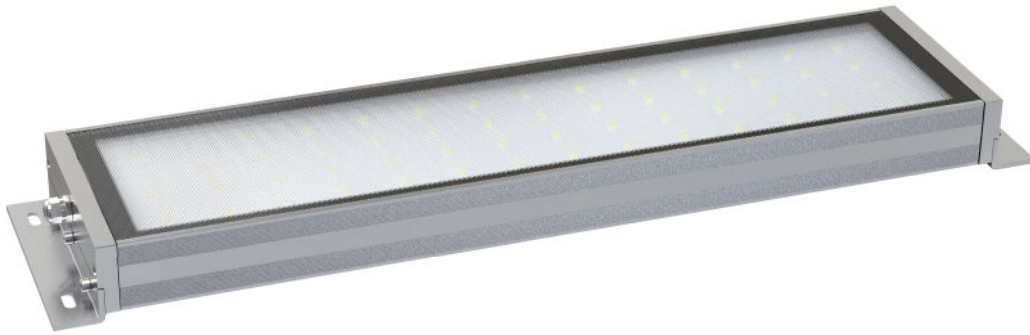
Application:

CNC machine tools, machine tool, machining center, cold storage, electrical cabinet, freezer, mine and other lighting.

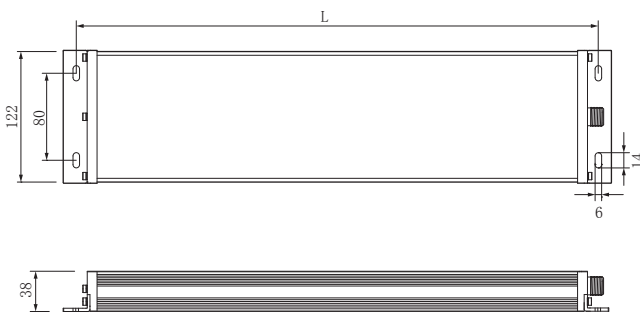
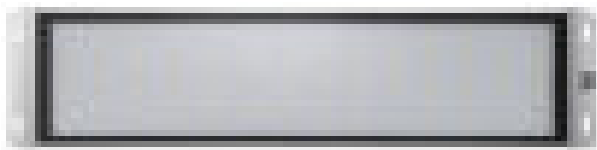
型号 Model	功率 Power	L(mm)	数字 (Num)	电压 (In. Vol)	色温 (Color Tem.)
ELED-12-□	12W	373	1	24V DC	6000K~6500K正白
			2	24V DC	4000K~4500K暖白
			5	24V AC/DC	6000K~6500K正白
			6	24V AC/DC	4000K~4500K暖白

照度值 (Luminous Flux) > 120 lm/W

- 高亮度1200~1500勒克斯(150cm)
- 外观简约时尚
- 超薄灯体, 占用空间小
- High light -1200~1500 lux(150cm)
- The appearance is simple and fashion
- Ultrathin lamp body, using small space



FHLED1系列平面LED灯 Flat LED Light

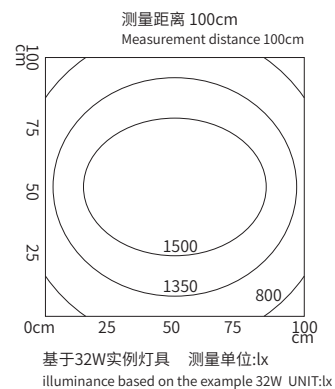


应用场所:

数控机床、组合机床、加工中心及其他照明。

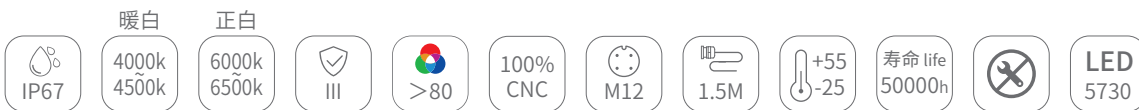
Application:

CNC machine tools, machine tool, machining center and other lighting.



型号Model	功率Power	L(mm)	W(mm)	数字(Num)	电压(In. Vol)	色温(Color Tem.)
FHLED1-120-□	20W	300	120	1	24V DC	6000K~6500K正白
FHLED1-132-□	32W	495	120			
FHLED1-150-□	50W	650	120	2	24V DC	4000K~4500K暖白

照度值 (Luminous Flux) > 120 lm/W



FHLED2系列平面LED灯 Flat LED Light

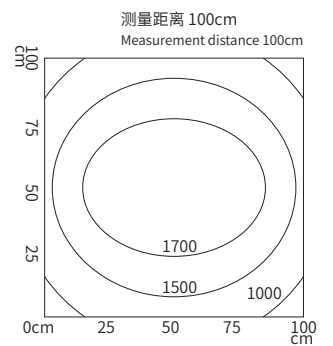
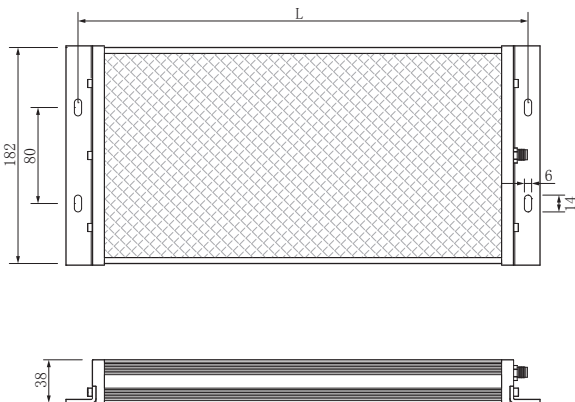
- 高亮度1200~1500勒克斯(150cm)
- 外观简约时尚
- 超薄灯体, 占用空间小
- High light -1200~1500 lux(150cm)
- The appearance is simple and fashion
- Ultrathin lamp body, using small space

应用场所:

数控机床、组合机床、加工中心及其他照明。

Application:

CNC machine tools, machine tool, machining center and other lighting.

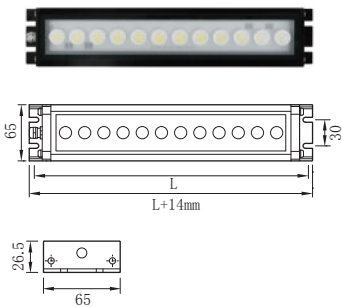


基于45W实例灯具 测量单位:lx
illuminance based on the example 45W UNIT:lx

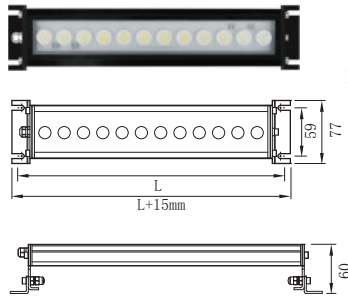
型号 Model	功率 Power	L(mm)	W(mm)	数字 (Num)	电压 (In. Vol)	色温 (Color Tem.)
FHLED2-145-□	45W	375	180	1	24V DC	6000K~6500K正白
FHLED2-170-□	70W	700	180	2	24V DC	4000K~4500K暖白

照度值 (Luminous Flux) >120 lm/W

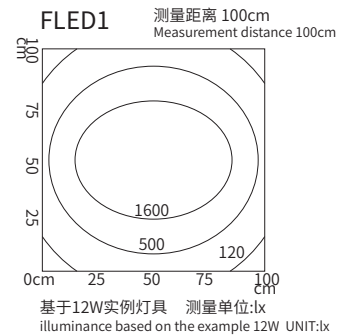
FLED1



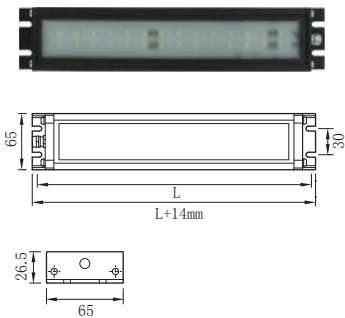
FLED1-X



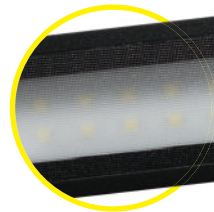
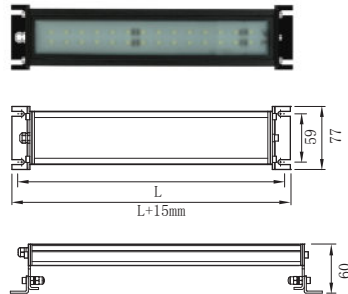
白磨砂玻璃-透镜灯珠



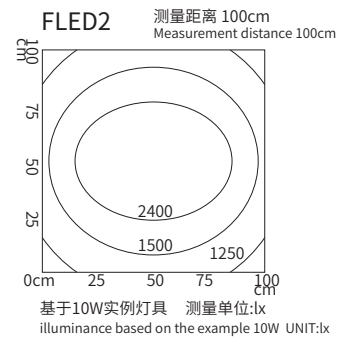
FLED2



FLED2-X



网状玻璃-两排灯珠



暖白 正白

IP67 4000k 4500k 6000k 6500k III >80 100% CNC M12 1.5M +55 -25 寿命 life 50000h

FLED工作灯 Working Light

- 超薄灯体, 占用空间小
- 高品质金属铝基板、透镜
- Ultrathin lamp body, using small space;
- High quality of aluminum PCB, lens.

应用场所:

数控机床、组合机床、加工中心及其他照明。

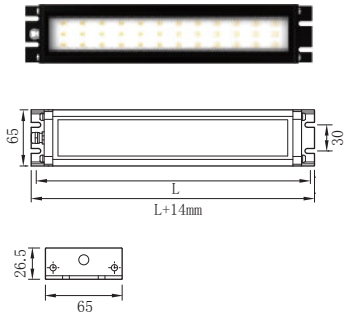
Application:

CNC machine tools, machine tool, machining center and other lighting.

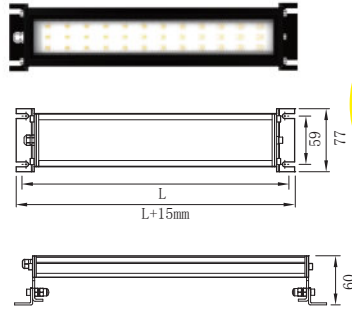
型号Model	功率Power	L(mm)	数字(Num)	电压(In. Vol)	色温(Color Tem.)
FLED1-112-□	12W	314	1	24V DC	6000K~6500K正白
FLED1-112-□X	12W	315			
FLED2-110-□	10W	314	2	24V DC	4000K~4500K暖白
FLED2-110-□X	10W	315			

照度值 (Luminous Flux) > 120 lm/W

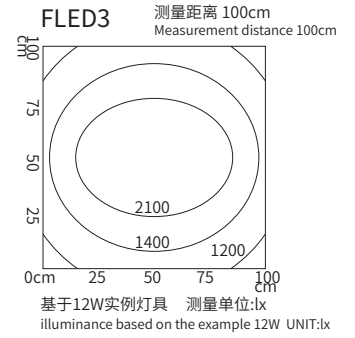
FLED3



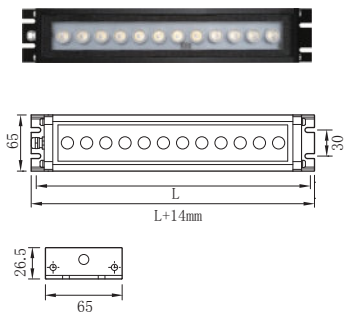
FLED3-X



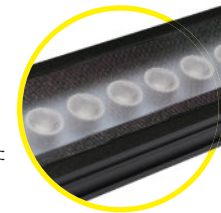
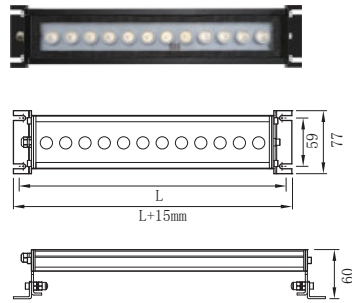
网状玻璃-三排灯珠



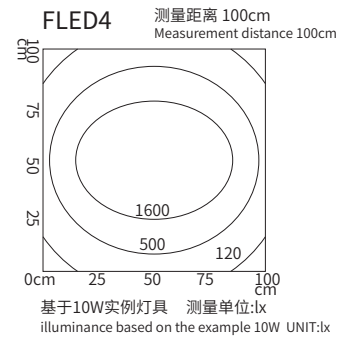
FLED4



FLED4-X



网状玻璃-透镜灯珠



- 高亮度700勒克斯(150cm)
- 外观简约时尚
- High brightness 700 Lux (150cm)
- Simple and stylish appearance

应用场所:

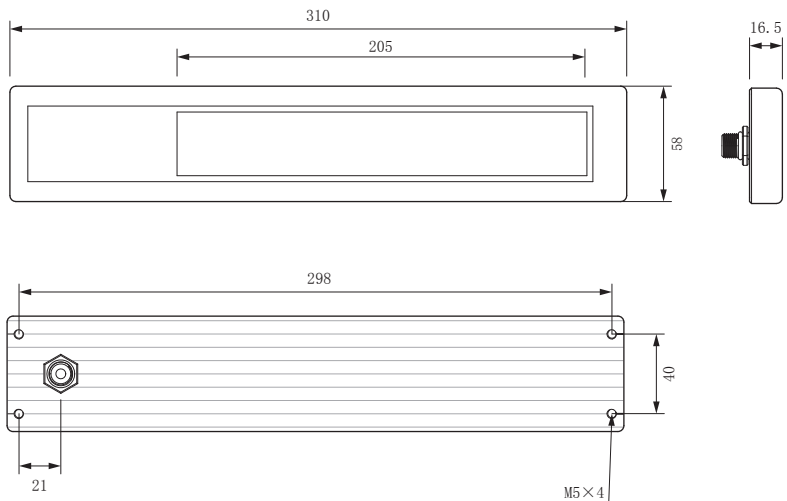
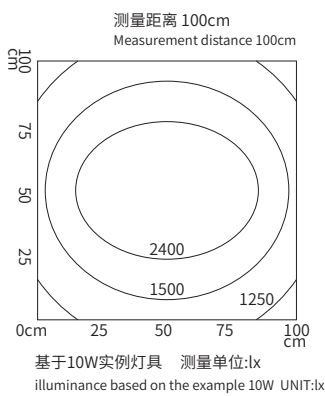
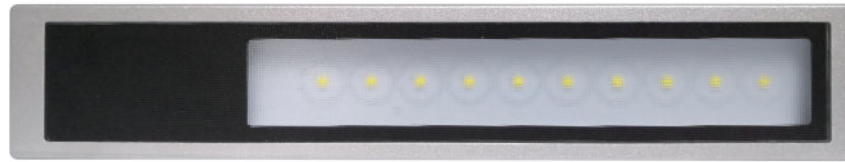
数控机床、组合机床、加工中心及其他照明。

Application:

CNC machine tools, machine tool, machining center and other lighting.

型号 Model	功率 Power	L (mm)	数字 (Num)	电压 (In. Vol)	色温 (Color Tem.)
FLED3-108-□	8W	244	1	24V DC	6000K~6500K正白
FLED3-108-□X	8W	245			
FLED3-112-□	12W	314			
FLED3-112-□X	12W	315			
FLED3-120-□	20W	444			
FLED3-120-□X	20W	445			
FLED3-125-□	25W	534			
FLED3-125-□X	25W	535			
FLED4-112-□	12W	314	2	24V DC	4000K~4500K暖白
FLED4-112-□X	12W	315			
FLED4-120-□	20W	444			
FLED4-120-□X	20W	445			
FLED4-125-□	25W	534			
FLED4-125-□X	25W	535			

照度值 (Luminous Flux) >120 lm/W



暖白 正白

IP67 4000k~4500k 6000k~6500k

III >80 100% CNC M12 +55/-25 寿命 life 50000h



#1棕线(brown)=不连接(not connected)
#2白线(white)=不连接(not connected)
#3蓝线(blue)=0V DC
#4黑线(blue)=+24V DC
#5灰线(gray)=不连接(not connected)

OFA工作灯 LED Light

- 经典简约造型, 纤薄灯体
- 优质LED光源、具有低功耗、高效能、寿命长
- 具有防水、防油、防蚀与防爆功能
- Classic and simple shape, slim body
- High-quality LED light source, with low power consumption, high efficiency and long life
- With waterproof, oil-proof, anti-corrosion and explosion-proof functions

应用场所:

数控机床、组合机床、加工中心、电柜、冷库、矿井及其他照明。

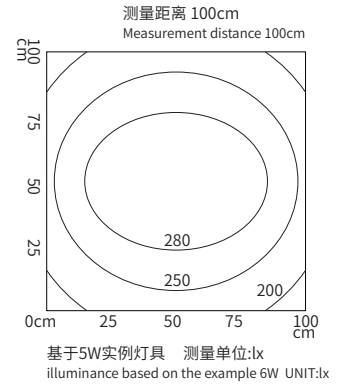
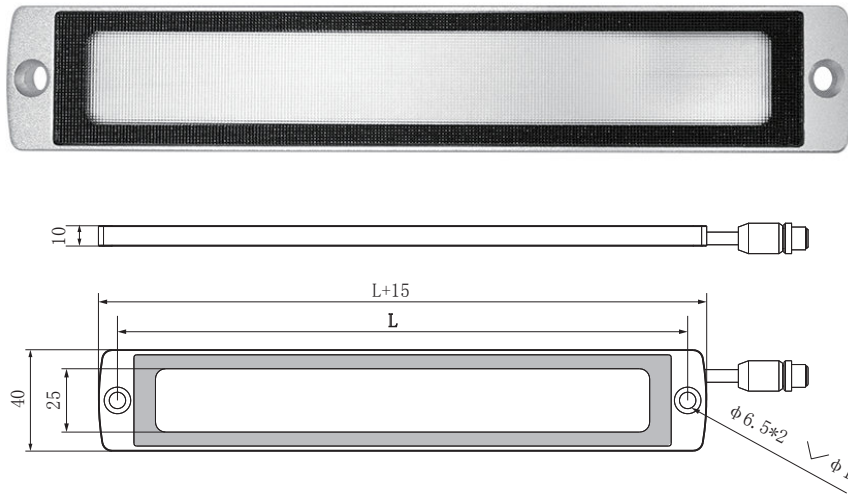
Application:

CNC machine tools, machine tool, machining center, cold storage, electrical cabinet, freezer, mine and other lighting.

L:安装尺寸 Installation Dimension

型号 Model	功率 Power	L (mm)	数字 (Num)	电压 (In. Vol)	色温 (Color Tem.)
OFA-110-□	10W	298	1	24V DC	6000K~6500K正白
			2	24V DC	4000K~4500K暖白

照度值 (Luminous Flux) > 120 lm/W



	暖白 4000k 4500k	正白 6000k 6500k			100% CNC			寿命 life 50000h		
--	----------------------	----------------------	--	--	-------------	--	--	-------------------	--	--

FPLED系列管状防爆LED灯 Tube LED Light

- 具有防水、防油、防蚀与防爆功能
- 采用散热性良好的优质铝，安全性高的透明钢化玻璃
- 高品质交/直流电子驱动器，低功耗、保护电路、寿命长
- With waterproof, oil-proof, anti-corrosion and explosion-proof functions
- Adopt high-quality aluminum with good heat dissipation and transparent toughened glass with high safety
- High-quality AC/DC electronic driver, low power consumption, protection circuit, long life

应用场所:

数控机床、组合机床、加工中心、电柜、冷库、矿井及其他照明。

Application:

CNC machine tools, machine tool, machining center, cold storage, electrical cabinet, freezer, mine and other lighting.

订购型号 示例(order eg.):

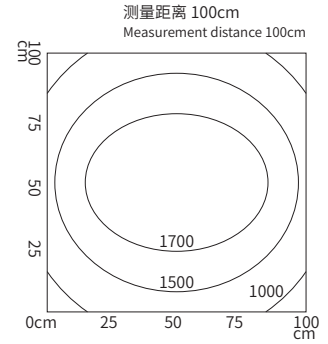
FPLED - 1 05 - 1

└───┘ └──────────┘

5W 24V DC 6000K~6500K正白

型号Model	功率Power	L(mm)	数字(Num)	电压(In. Vol)	色温(Color Tem.)
FPLED-105- □□	5W	225	1	24V DC	6000K~6500K正白
FPLED-108- □□	8W	300			
FPLED-112- □□	12W	400	2	24V DC	4000K~4500K暖白
FPLED-115- □□	15W	500			

照度值 (Luminous Flux) >120 lm/W



基于30W实例灯具 测量单位:lx
illuminance based on the example 30W UNIT:lx



- #1棕线(brown)=不连接(not connected)
- #2白线(white)=不连接(not connected)
- #3蓝线(blue)=0V DC
- #4黑线(blue)=+24V DC
- #5灰线(gray)=不连接(not connected)

IP67

暖白
4000k
4500k

正白
6000k
6500k

III

>80

100%
CNC

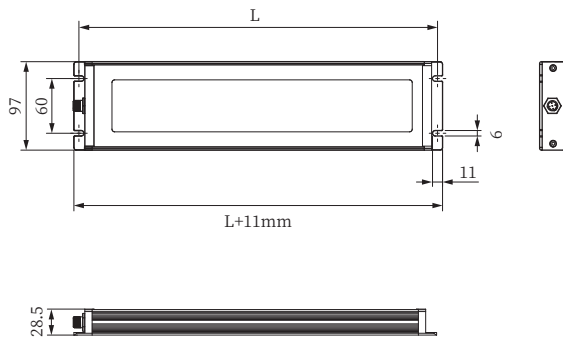
M12

1.5M

+55
-25

寿命 life
50000h

OFE工作灯 LED Light



- 支架安装方便快捷, 大面板, 大照明范围
- 优质LED光源、功耗低、高效能、寿命长
- 具有防水、防油、防蚀与防爆功能

- Bracket installation is convenient and fast, large panel, large lighting range
- High quality LED light source, low power consumption, high performance, long life
- With waterproof, oil-proof, anti-corrosion and explosion-proof functions

应用场所:

数控机床、组合机床、加工中心、电柜、冷库、矿井及其他照明。

Application:

CNC machine tools, machine tool, machining center, cold storage, electrical cabinet, freezer, mine and other lighting.

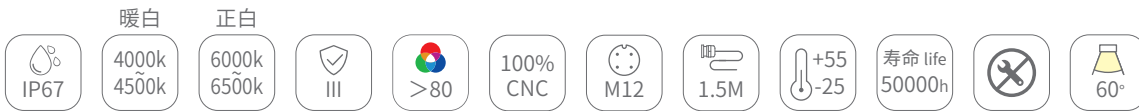
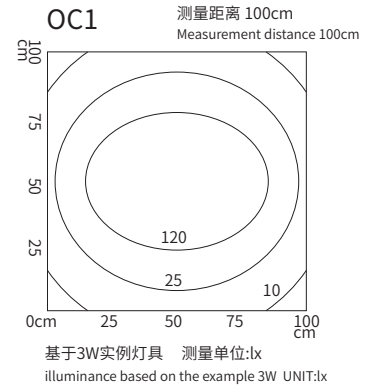
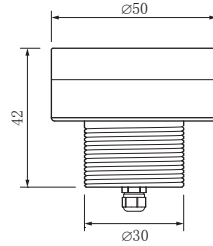
L:安装尺寸 Installation Dimension

型号 Model	功率 Power	L(mm)	数字 (Num)	电压 (In. Vol)	色温 (Color Tem.)
OFE-110-□	10W	260	1	24V DC	6000K~6500K正白
OFE-120-□	20W	460	2	24V DC	4000K~4500K暖白

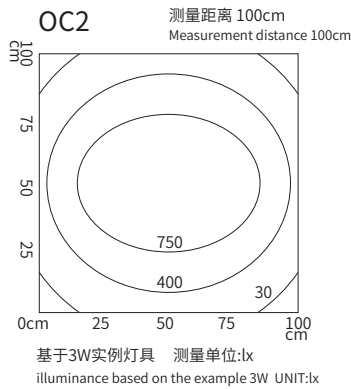
照度值 (Luminous Flux) > 120 lm/W



OC1



OC系列小型局部照明灯 Small Spot LED Light



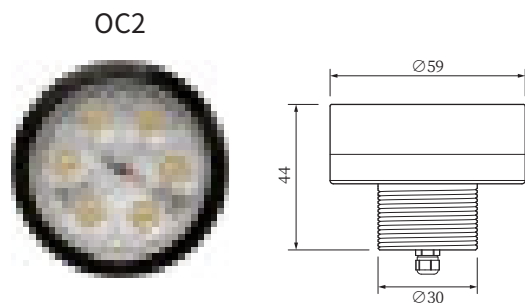
- 具有防水、防油、防蚀与防爆功能
- 光线分布均匀,显色性强,照明效果好,不刺眼
- 体积小,安装简易、维修率低
- With waterproof, oil-proof, corrosion-proof and explosion-proof functions
- Uniform light distribution, strong color rendering, good lighting effect, no glare
- Small size, easy installation and low maintenance rate

应用场所:

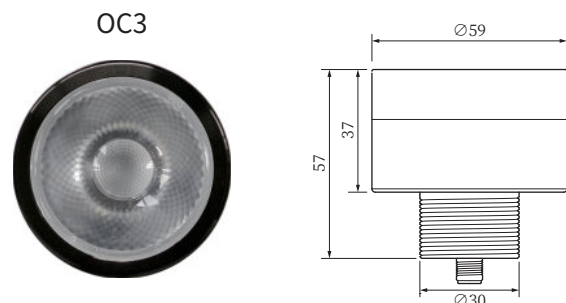
数控机床、组合机床、加工中心、电柜、冷库、矿井及其他照明。

Application:

CNC machine tools, machine tool, machining center, cold storage, electrical cabinet, freezer, mine and other lighting.



OC2

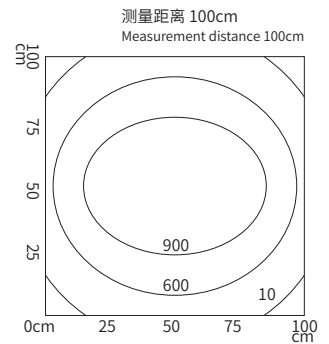
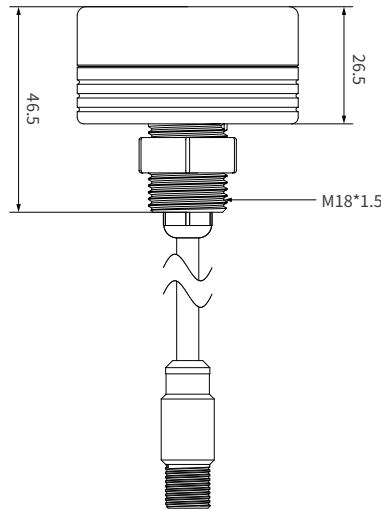
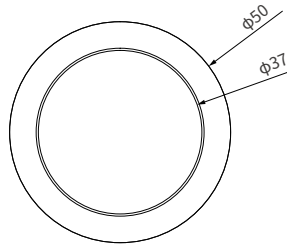


OC3

型号Model	功率Power	L(mm)	数字(Num)	电压(In. Vol)	色温(Color Tem.)
OC1-103-□	3W	50	1	24V DC	6000K~6500K正白
OC1-105-□	5W	50			
OC2-103-□	3W	59	2	24V DC	4000K~4500K暖白
OC2-105-□	5W	59			
OC3-105-□	5W	59			

照度值 (Luminous Flux) >120 lm/W

OC4



基于6W实例灯具 测量单位:lx
illuminance based on the example 6W UNIT:lx

暖白 正白

IP67 4000k 4500k 6000k 6500k I or III >80 100% CNC M12 +55 -25 寿命 life 50000h 60°

OC系列小型局部照明灯 Small Spot LED Light

- 体积小, 安装简易、维修率低
- 防水、防油、防蚀与防爆功能
- 优质LED光源、具有低功耗、高效能、寿命长

- Small size, easy installation and low maintenance rate
- Waterproof, oil-proof, corrosion-proof and explosion-proof functions
- High-quality LED light source, with low power consumption, high efficiency and long life

应用场所:

数控机床、组合机床、加工中心及其他照明。

Application:

CNC machine tools, machine tool, machining center and other lighting.

型号 Model	功率 Power	数字 (Num)	电压 (In. Vol)	色温 (Color Tem.)
OC4-106-□□	6W	1	24V DC	6000K~6500K正白
		2	24V DC	4000K~4500K暖白

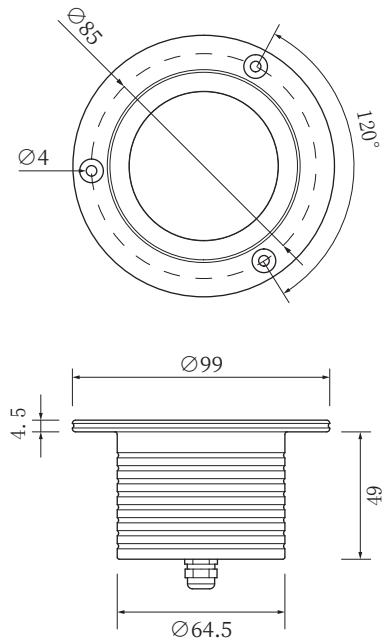
照度值 (Luminous Flux) >120 lm/W

应用场所:

数控机床、组合机床、加工中心、电柜、冷库、矿井及其他照明。

Application:

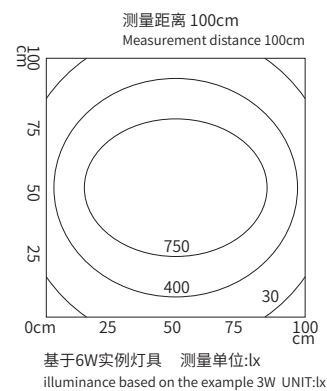
CNC machine tools, machine tool, machining center, cold storage, electrical cabinet, freezer, mine and other lighting.



暖白 正白
IP67 4000k 4500k 6000k 6500k I or III >80 100% CNC M12 1.5M +55 -25 寿命 life 50000h

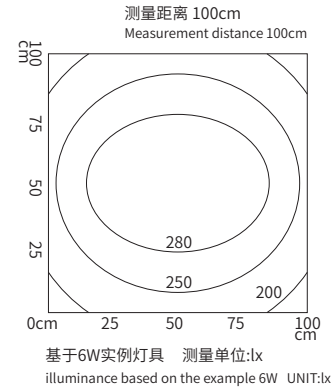
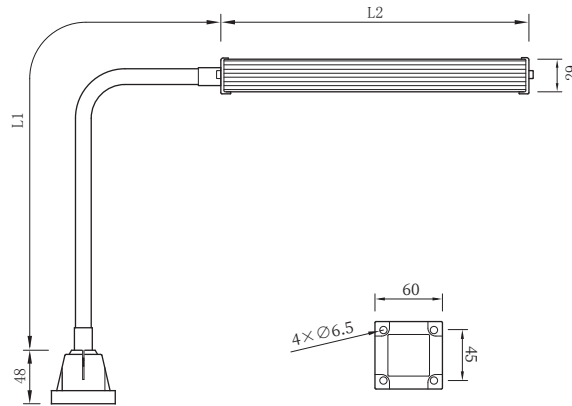
OC系列小型局部照明灯 Small Spot LED Light

- 耐用的高品质照明
- 铝壳, 加厚安全玻璃
- 与机器集成, 特别节省空间
- 耐各种冷却液, 润滑剂, 高温, 振动和冲击
- Durable high-quality lighting
- Aluminum shell, thickened safety glass
- Integrate with the machine to save space
- Resistant to various coolants, lubricants, high temperature, vibration and shock



型号Model	功率Power	φ(mm)	数字(Num)	电压(In. Vol)	色温(Color Tem.)
OC5-106-□	6W	99	1	24V DC	6000K~6500K正白
			2	24V DC	4000K~4500K暖白
			3	100~277V AC 50/60Hz	6000K~6500K正白
			4	100~277V AC 50/60Hz	4000K~4500K暖白

照度值 (Luminous Flux) > 120 lm/W



暖白 正白

IP54 4000k 4500k 6000k 6500k

I or III >80 插头plug 1.5M +55 -25 寿命 life 50000h 60°

TLED系列工作台灯 LED Working Table Light

- 照射角度可任意选择, 非常灵活、最大限度地满足工作区的照明
- 聚光效果好, 光线分布均匀, 显色性强
- 安装简易、维修率低

- Irradiation angle can be arbitrarily selected, which is very flexible and maximizes the lighting of the work area
- Good spotlight effect, uniform light distribution, strong color rendering
- Easy installation and low maintenance rate

应用场所:

适用于科研、测绘、装配线、产品检验局部的操作照明, 及办公环境、电脑台面的理想照明灯具。

Application:

Suitable for local illumination of designing, drawing, assemble line, test of products, which are best fixture for office environment, computer table.

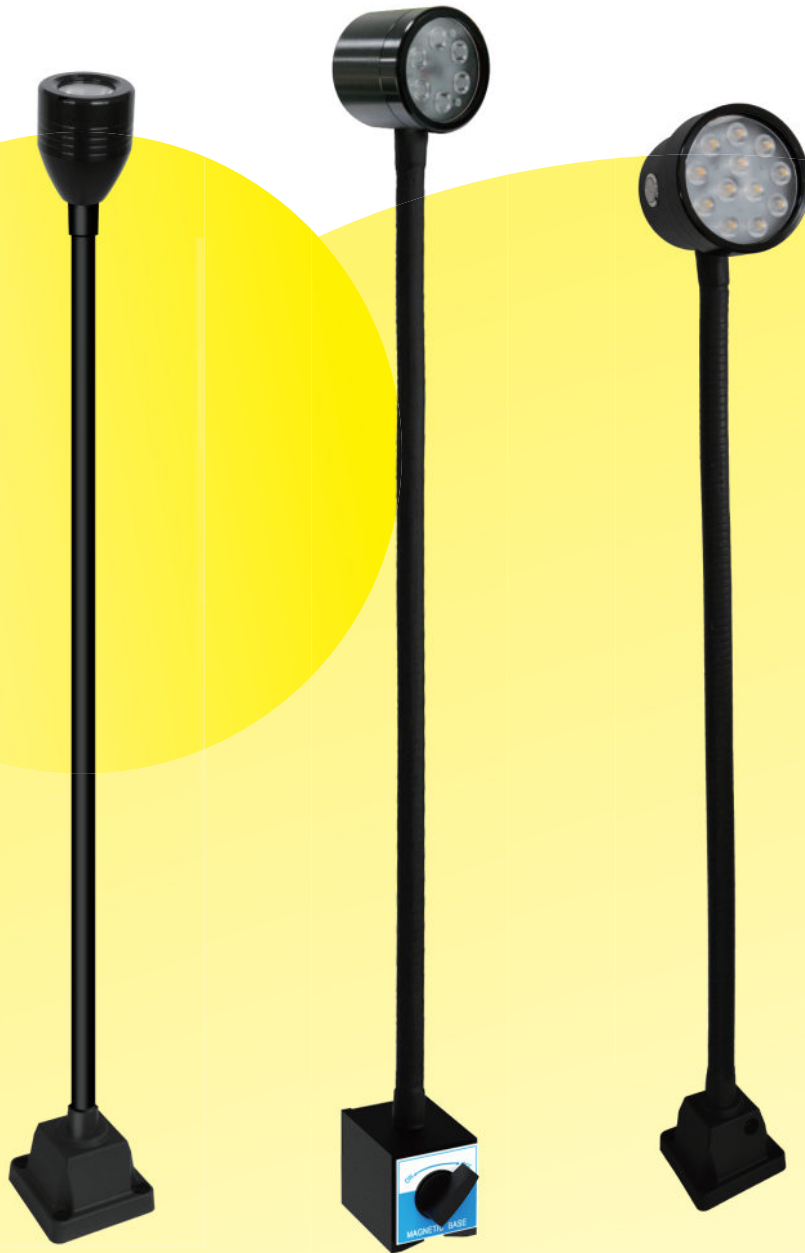
订购型号 示例(order eg.):

TLED1 - 1 06 - 11

6W 24V AC/DC 6000K~6500K正白

型号Model	功率Power	L1(mm)	L2(mm)	数字(Num)	电压(In. Vol)	色温(Color Tem.)
TLED1-106-□	6W	300 460	275	11	24V AC/DC	6000K~6500K正白
				12	24V AC/DC	4000K~4500K暖白
TLED1-110-□	10W	300 460	275	3	100~277V AC 50/60Hz	6000K~6500K正白
				4	100~277V AC 50/60Hz	4000K~4500K暖白

照度值 (Luminous Flux) > 120 lm/W



www.otennlux.com

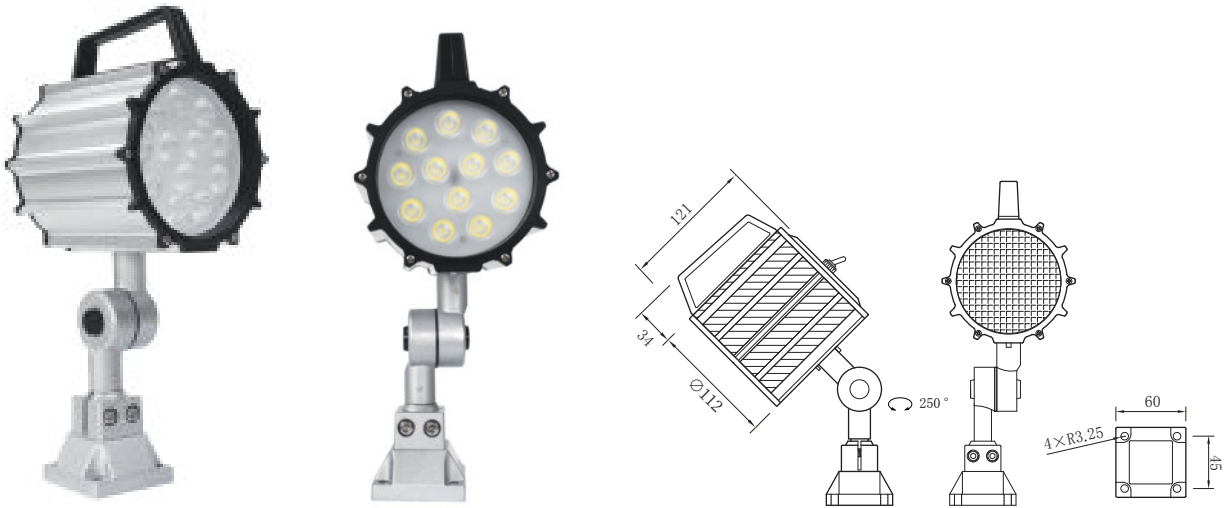




LED机床工作灯 WORKING LIGHT

欧登LED机床照明解决方案，照射角度可任意选择，聚光效果好，使用寿命长达50000小时，具有防水、防油、防蚀与防爆功能，专用于数控机床、组合机床、加工中心等。适用于生产线内部有冷却液、油、水等较恶劣的工作环境。

Otennlux LED machine tool lighting solution, the irradiation angle can be selected arbitrarily, the light gathering effect is good, the service life is up to 50,000 hours, with the functions of waterproof, oil, corrosion and explosion-proof. It is specially used for CNC machine tools, combination machine tools, machining centers, etc. It is suitable for harsh working environment such as coolant, oil and water inside the production line.



EMLED系列底座/臂式LED灯 Pivoting-Head/Arm-Mounted LED Light

- EMLED系列机床灯有长臂、短臂与无臂等多种型号
- 底座最大320°旋转, 照射角度可任意选择
- 聚光效果好, 能够非常灵活的、最大限度地满足工作区的照明

- EMLED series are available as long-arm, short-arm and no arm variant
- The base can rotate 320 degree, radiation angle can be arbitrary choice
- Concentrating effect are nice, a maximum positioning allows a use-friendly lighting in the working area

应用场所:

EMLED系列机床工作灯专用于机床和加工中心强照射灯, 可适用于机器内部有冷却液、油、水等较恶劣的工作环境。

Application:

EMLED series are especially designed for machine tools where special tasks call for an intense and strong point light, these series are used in machines where coolant, oil, water and other fluids are present.

订购型号 示例(order eg.):

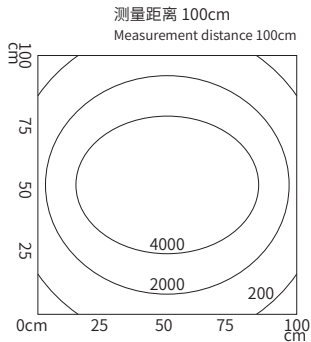
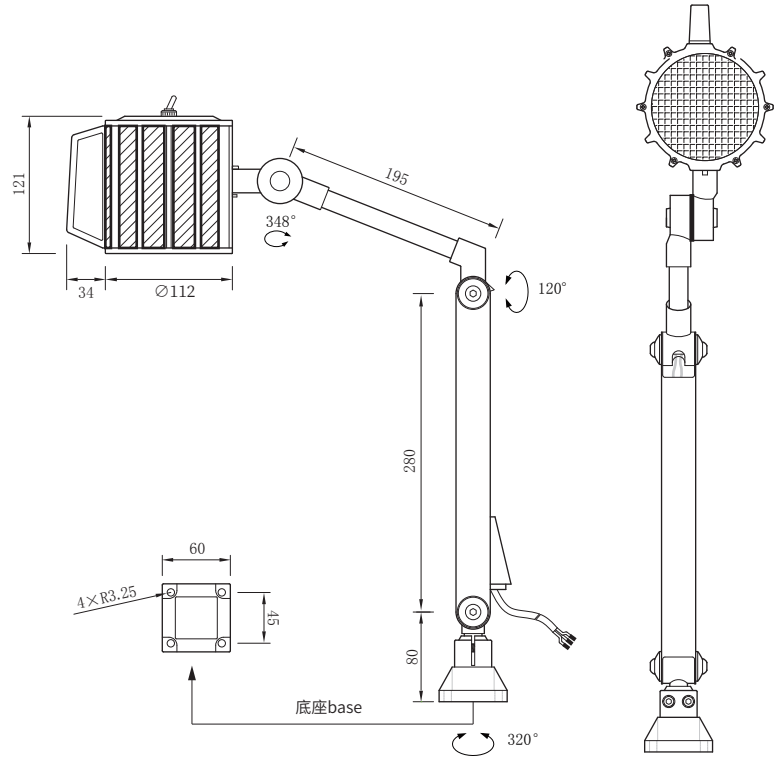
EMLED - 1 09 - 1

└──┬──┘ └──┬──┘

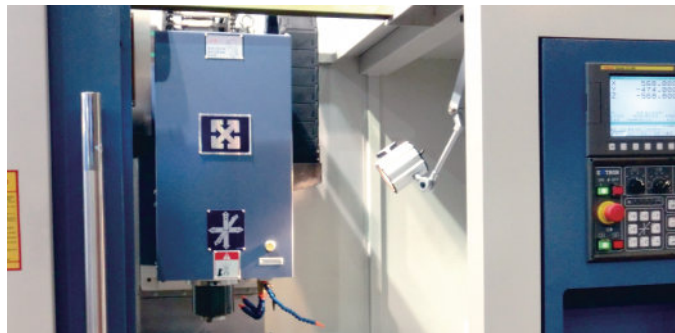
9W 24V AC/DC 6000K~6500K正白 无杆without arm

型号 Model	功率 Power	数字 (Num)	电压 (In. Vol)	色温 (Color Tem.)	杆 (Arm)
EMLED-109-□	9W	1	24V AC/DC	6000K~6500K正白	无杆 without arm
EMLED-112-□	12W	2	24V AC/DC	4000K~4500K暖白	无杆 without arm
		3	100~277V AC 50/60Hz	6000K~6500K正白	无杆 without arm
EMLED-115-□	15W	4	100~277V AC 50/60Hz	4000K~4500K暖白	无杆 without arm

照度值 (Luminous Flux) > 120 lm/W



基于12W实例灯具 测量单位:lx
illuminance based on the example 12W UNIT:lx

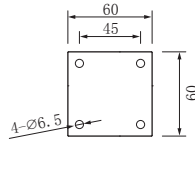
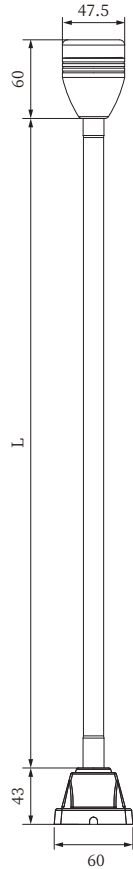


订购型号 示例(order eg.):

EMLED - 1 09 - 5
 9W 24V AC/DC 6000K~6500K正白 有杆with arm

型号Model	功率Power	数字(Num)	电压(In. Vol)	色温(Color Tem.)	杆(Arm)
EMLED-109-□	9W	5	24V AC/DC	6000K~6500K正白	有杆with arm
EMLED-112-□	12W	6	24V AC/DC	4000K~4500K暖白	有杆with arm
EMLED-115-□	15W	7	100~277V AC 50/60Hz	6000K~6500K正白	有杆with arm
		8	100~277V AC 50/60Hz	4000K~4500K暖白	有杆with arm

照度值 (Luminous Flux) > 120 lm/W

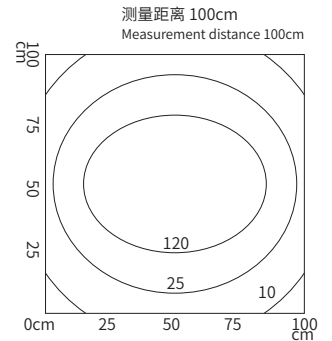


应用场所:

数控机床、组合机床、加工中心及其他照明。

Application:

CNC machine tools, machine tool, machining center and other lighting.



基于3W实例灯具 测量单位:lx
illuminance based on the example 3W UNIT:lx

-
-
-
-
- >80 icon"/>
-
-
-
-
-
-

SPLED系列鹅颈式LED工作灯 Flexible-Head LED Light

- 调节灵活, 提升工作效率
- 光线分布均匀, 显色性强, 照明效果好
- 有防水、防油、防蚀与防爆功能
- 低功耗、保护电路功能, 寿命长

- Flexible adjustment, improve work efficiency
- Even light distribution, strong color rendering and good lighting effect
- With waterproof, oil-proof, corrosion-proof and explosion-proof functions
- Low power consumption, protection circuit function, long life

型号Model	功率Power	杆长(mm)	数字(Num)	电压(In. Vol)	色温(Color Tem.)
SPLED-103-□	3W	500	1	24V DC	6000K~6500K正白
			2	24V DC	4000K~4500K暖白
			3	100~277V AC 50/60Hz	6000K~6500K正白
			4	100~277V AC 50/60Hz	4000K~4500K暖白
			11	24V AC/DC	6000K~6500K正白
			12	24V AC/DC	4000K~4500K暖白

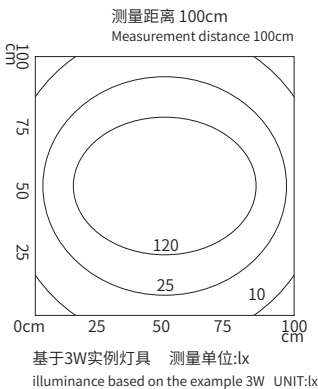
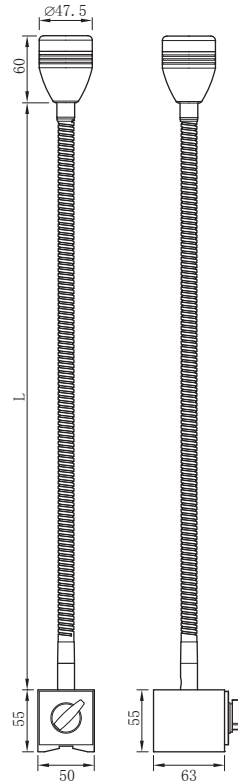
照度值 (Luminous Flux) > 120 lm/W

应用场所:

数控机床、组合机床、加工中心及其他照明。

Application:

CNC machine tools, machine tool, machining center and other lighting.



-
-
-
-
- >80 icon"/>
-
-
-
-
-
-
-

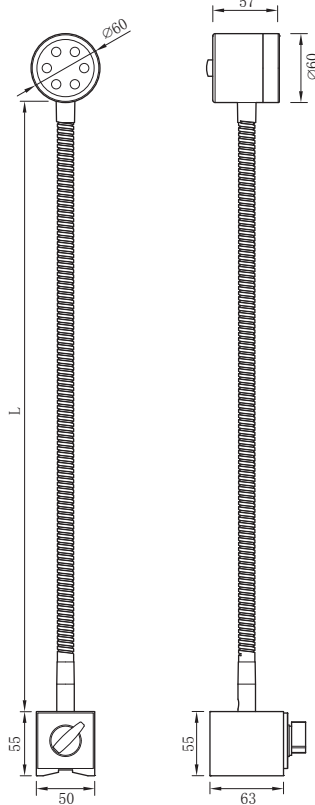
SPLED系列鹅颈式LED磁座灯 Flexible-Head LED Light

- 手电筒造型, 灵活小巧
- 防水、防油、防蚀与防爆功能
- 强力磁铁, 适合机械任意位置

- Flashlight shape, flexible and compact
- Waterproof, oil-proof, corrosion-proof and explosion-proof functions
- Powerful magnet, suitable for any position of the machine

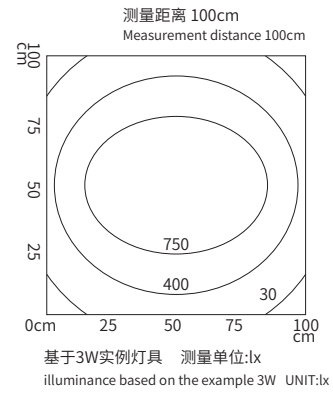
型号 Model	功率 Power	L(mm)	数字 (Num)	电压 (In. Vol)	色温 (Color Tem.)
SPLED1-103-□	3W	500	1	24V DC	6000K~6500K正白
			2	24V DC	4000K~4500K暖白
			3	100~277V AC 50/60Hz	6000K~6500K正白
			4	100~277V AC 50/60Hz	4000K~4500K暖白
			11	24V AC/DC	6000K~6500K正白
			12	24V AC/DC	4000K~4500K暖白

照度值 (Luminous Flux) > 120 lm/W



应用场所:
数控机床、组合机床、加工中心及其他照明。

Application:
CNC machine tools, machine tool, machining center and other lighting.



-
-
-
-
- >80 CRI icon"/>
-
-
-
-
-
-
-

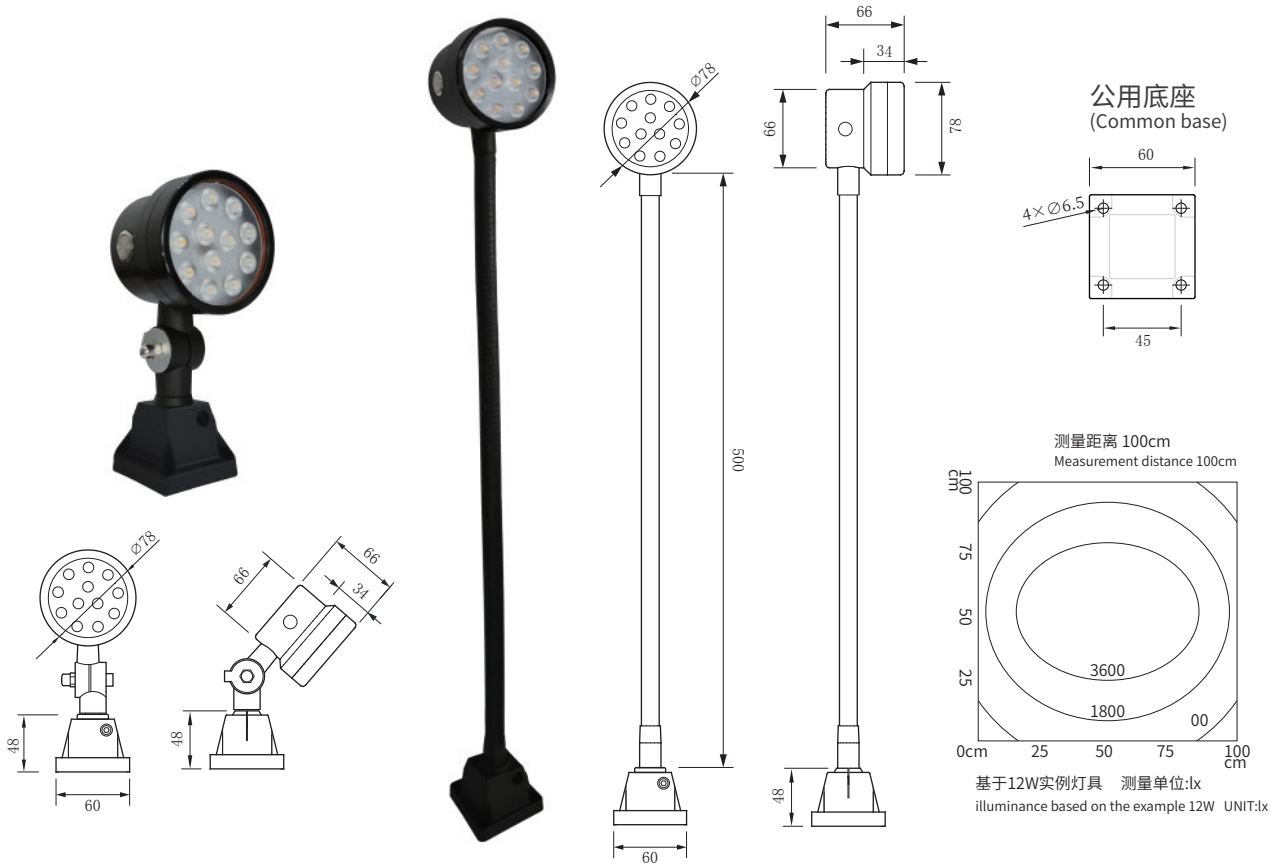
SLED系列鹅颈式LED磁座灯 Flexible-Head LED Light

- 强力磁铁, 适合机械任意位置
- 防水、防油、防锈与防爆功能
- 优质LED光源、显色度高, 低功耗、高效能、寿命长

- Powerful magnet, suitable for any position of the machine
- Waterproof, oil-proof, corrosion-proof and explosion-proof functions
- High-quality LED light source, high color rendering, low power consumption, high efficiency and long life

型号Model	功率Power	L(mm)	数字(Num)	电压(In. Vol)	色温(Color Tem.)
SLED2-103-□	3W	500	1	24V DC	6000K~6500K正白
			2	24V DC	4000K~4500K暖白
			3	100~277V AC 50/60Hz	6000K~6500K正白
			4	100~277V AC 50/60Hz	4000K~4500K暖白
			11	24V AC/DC	6000K~6500K正白
			12	24V AC/DC	4000K~4500K暖白

照度值 (Luminous Flux) > 120 lm/W



-
-
-
-
-
-
-
-
-
-
-
-

SLED3系列鹅颈式LED工作灯 Flexible-Head LED Light

- 大照明区域, 侧按钮设计
- 防水、防油、防蚀与防爆功能
- 优质LED光源、具有低功耗、高效能、寿命长
- Large lighting area, side button design
- Waterproof, oil-proof, corrosion-proof and explosion-proof functions
- High-quality LED light source, with low power consumption, high efficiency and long life

应用场所:
数控机床、组合机床、加工中心及其他照明。

Application:
CNC machine tools, machine tool, machining center and other lighting.

型号Model	功率Power	数字(Num)	电压(In. Vol)	色温(Color Tem.)	杆(Arm)
SLED3-112-□□	12W	3	100~277V AC 50/60Hz	6000K~6500K正白	A=无杆without arm
		4	100~277V AC 50/60Hz	4000K~4500K暖白	
		11	24V AC/DC	6000K~6500K正白	B=有杆with arm
		12	24V AC/DC	4000K~4500K暖白	

照度值 (Luminous Flux) > 120 lm/W



www.otennlux.com





LED车载用泛光灯 FLOOD LIGHT

欧登车载泛光灯采用优质LED，低功耗，使用寿命长，远距离可视范围，材质坚固耐用，多种型号可供客户选择。适用于不同类型的SUV、四轮驱动、吉普车、卡车、皮卡、拖拉机、船、公共汽车、运动工具、农业、采矿、工业、商业和其他领域。

Otennlux car floodlight adopts high-quality LED, low power consumption, long service life, long-distance visual range, durable material, and a variety of models for customers to choose. It is suitable for different types of SUV, four-wheel drive, jeep, truck, pickup, tractor, boat, bus, sports tool, agriculture, mining, industry, business and other fields.



FLLED系列泛光灯 LED Flood Light

- FLLED系列LED灯具具有防水功能
- 优质LED光源, 低功耗、长寿命
- 光线分布均匀, 照明效果好

- FLLED series LED lamps are waterproof
- High-quality LED light source, low power consumption, long life
- Even light distribution, good lighting effect

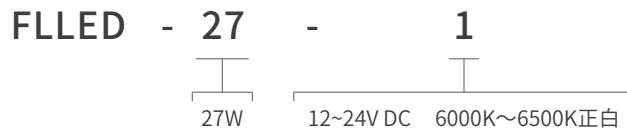
应用场所:

适用于不同类型的SUV、四轮驱动、吉普车、卡车、皮卡、拖拉机、船、公共汽车、运动工具、农业、采矿、工业、商业和其他领域。

Application:

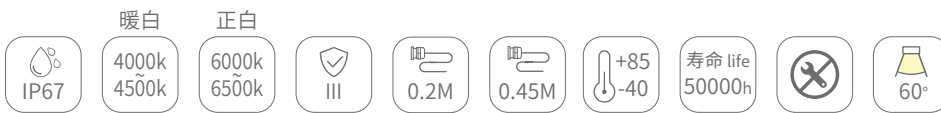
It is suitable for different types of SUV, four-wheel drive, jeep, truck, pickup, tractor, boat, bus, sports tool, agriculture, mining, industry, business and other fields.

订购型号 示例(order eg.):



型号Model	功率Power	L(mm)	W(mm)	H(mm)	安装孔	数字(Num)	电压(In. Vol)	色温(Color Tem.)
FLLED-24-□	24W	76	94	39	M8	1	12~24V DC	6000K~6500K正白
FLLED-27-□	27W	100	122	46	M10			
FLLED-48-□	48W	84	104	46	M8	2	12~24V DC	4000K~4500K暖白
FLLED-64-□	64W	108	131	56	M10			

照度值 (Luminous Flux) > 120 lm/W



OLLED系列泛光灯 LED Flood Light

- 灯泡反射镜采用光学反射率的投影透镜, 反射距离长
- 固定配件, 不锈钢, 防震, 防锈, 防水
- 光线分布均匀, 低功耗、长寿命

- The bulb reflector adopts the projection lens with optical reflectivity, and the reflection distance is long
- Fixed accessories, stainless steel, shockproof, rustproof, waterproof
- Even light distribution, low power consumption, long life

应用场所:

适用于不同类型的SUV、四轮驱动、吉普车、卡车、皮卡、拖拉机、船、公共汽车、运动工具、农业、采矿、工业、商业和其他领域。

Application:

It is suitable for different types of SUV, four-wheel drive, jeep, truck, pickup, tractor, boat, bus, sports tool, agriculture, mining, industry, business and other fields.

订购型号 示例(order eg.):

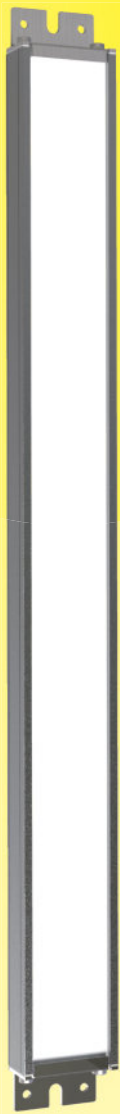
OLLED - 24 - 1

└───┘ └──────────┘ └──┘

24W 12~24V DC 6000K~6500K正白

型号Model	功率Power	L(mm)	W(mm)	H(mm)	安装孔	数字(Num)	电压(In. Vol)	色温(Color Tem.)
OLLED-24-□	24W	82	95	48	M8	1	12~24V DC	6000K~6500K正白
OLLED-36-□	36W	104	120	52	M10			
OLLED-42-□	42W	92	107	52	M8	2	12~24V DC	4000K~4500K暖白
OLLED-56-□	56W	115	132	60	M10			

照度值 (Luminous Flux) > 120 lm/W



www.otennlux.com

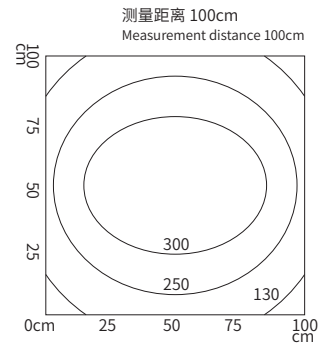
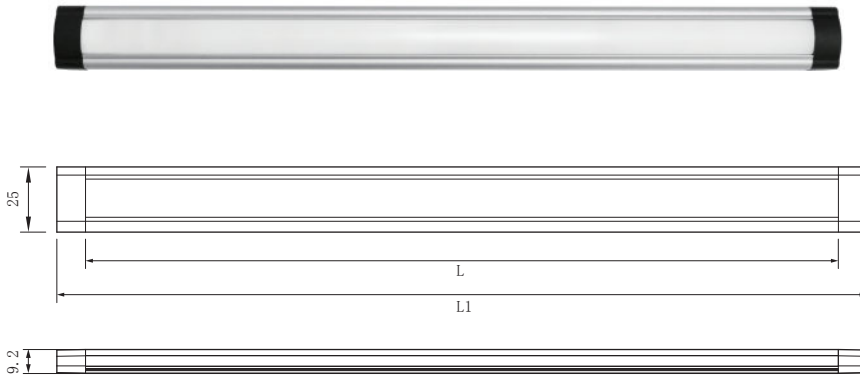




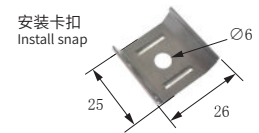
LED电柜灯 ELECTRIC CABINET LIGHT

欧登LED电柜照明解决方案，特殊光学结构，发光均匀，照明无眩光，使用寿命长达50000小时，绿色环保，安装灵活便捷，允许频繁启动，适用于高铁检查机、冰柜、电柜、冷柜、流水线及其他照明。

Otennlux LED electric cabinet lighting solution, special optical structure, uniform light emission, glare-free lighting, service life up to 50000 hours, green and environmental protection, flexible and convenient installation, allowing frequent startup, suitable for high-speed rail inspection machines, freezer, electric cabinet, freezer, assembly line and other lighting.



基于11W实例灯具 测量单位:lx
illuminance based on the example 11W UNIT:lx



DSLED系列电柜灯 Electric cabinet LED Light

- 灵活便捷, 启动快, 允许频繁启动
- 特殊光学结构, 照明无眩光, 发光均匀
- 绿色环保, 无频闪, 无紫外线光, 无红外辐射
- Quick start and frequent starts allowed
- Special optics structure, flicker-free, uniform light distribution
- Green environmental protection, no stroboscopic, no ultraviolet (uv) light, no infrared radiation

应用场所:
高铁闸机、冰柜、电柜、冷柜、流水线及其他照明。

Application:
High-speed rail gate, electrical cabinet, armature, assembly line and other lighting.

订购型号 示例(order eg.):

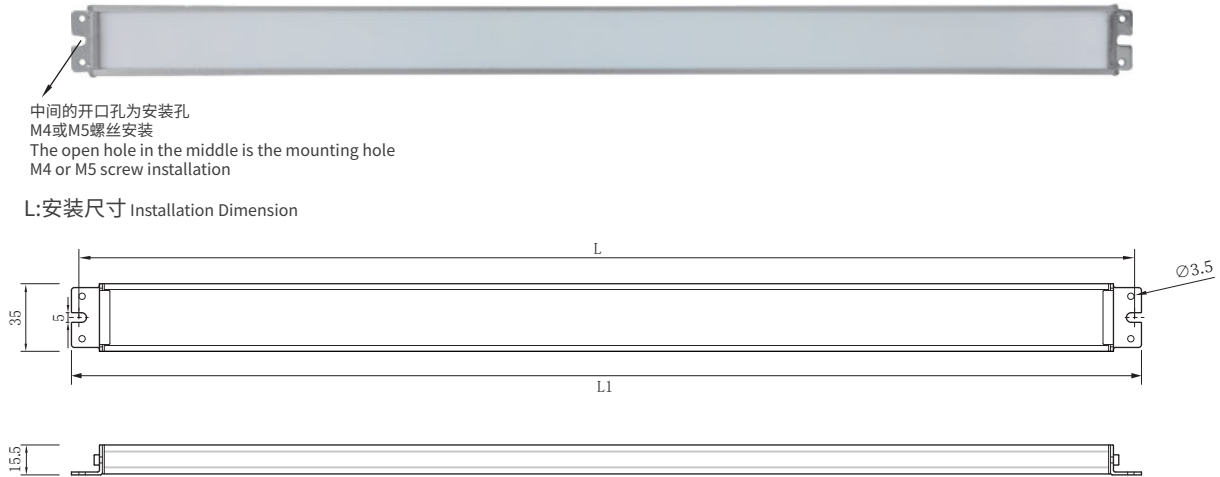
DSLED - 1 05 - 1

└──┬──┘ └──┬──┬──┬──┘

5W 24V DC 6000K~6500K正白

型号Model	功率Power	L(mm)	L1(mm)	数字(Num)	电压(In. Vol)	色温(Color Tem.)
DSLED-103-□	3W	150	172	1	24V DC	6000K~6500K正白
DSLED-105-□	5W	225	247			
DSLED-106-□	6W	300	322			
DSLED-108-□	8W	375	397			
DSLED-110-□	10W	450	472	2	24V DC	4000K~4500K暖白
DSLED-111-□	11W	525	547			
DSLED-112-□	12W	600	622			
DSLED-115-□	15W	750	772			

照度值 (Luminous Flux) > 100 lm/W



FSLED系列电柜灯 Electric cabinet LED Light

- 高效率, 节约能源损耗
- 灵活便捷, 启动快, 允许频繁启动
- 绿色环保、无频闪、无紫外线光、无红外辐射

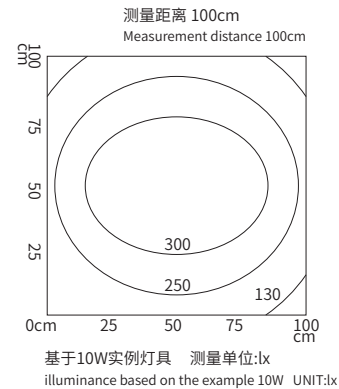
- Saving energy consumption
- Quick start and frequent starts allowed
- Green environmental protection, no stroboscopic, no ultraviolet (uv) light, no infrared radiation

应用场所:

高铁闸机、冰柜、电柜、冷柜、流水线及其他照明。

Application:

High-speed rail gate, electrical cabinet, armature, assembly line and other lighting.



型号Model	功率Power	L(mm)	L1(mm)	数字(Num)	电压(In. Vol)	色温(Color Tem.)
FSLED-103-□	3W	130	138	1	24V DC	6000K~6500K正白
FSLED-105-□	5W	215	223			
FSLED-110-□	10W	380	388			
FSLED-115-□	15W	545	553			
FSLED-120-□	20W	735	743	2	24V DC	4000K~4500K暖白
FSLED-125-□	25W	900	908			
FSLED-130-□	30W	1065	1073			

照度值 (Luminous Flux) > 100 lm/W

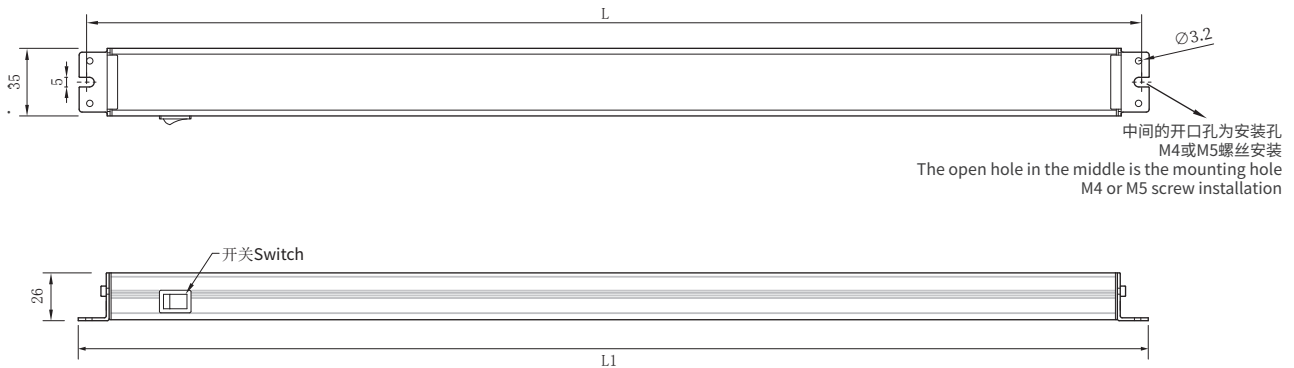


应用:



FSLED1系列电柜灯 Electric cabinet LED Light

L:安装尺寸 Installation Dimension

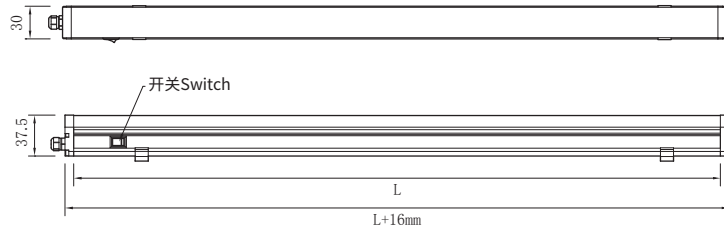


型号Model	功率Power	L(mm)	L1(mm)	数字(Num)	电压(In. Vol)	色温(Color Tem.)
FSLED1-103-□	3W	130	138	1	24V DC	6000K~6500K正白
FSLED1-105-□	5W	215	223			
FSLED1-110-□	10W	380	388	2	24V DC	4000K~4500K暖白
FSLED1-115-□	15W	545	553			
FSLED1-120-□	20W	735	743	3	100~277V AC 50/60Hz	6000K~6500K正白
FSLED1-125-□	25W	900	908			
FSLED1-130-□	30W	1065	1073	4	100~277V AC 50/60Hz	4000K~4500K暖白

照度值 (Luminous Flux) >100 lm/W



安装方式 Installation: 卡扣式 Card buckle



暖白 正白

IP20 4000k 4500k 6000k 6500k I or III >80 M12 1.5M +55 -25 寿命 life 50000h LED 5730

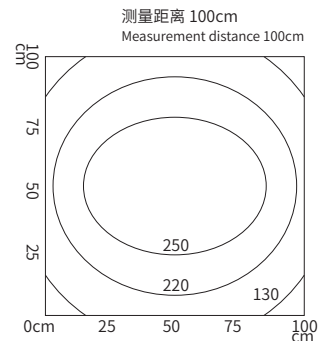
GSLED系列LED支架灯 LED Bracket Light

- 开关控制, 灵活便捷, 允许频繁启动
- 较传统光源寿命长, 高效率, 节约能源损耗
- Switch control, flexible and convenient, allowing frequent start
- Longer lifespan than traditional light sources, high energy efficiency, saving energy consumption

订购型号 示例(order eg.):

GSLED - 1 08 - 1

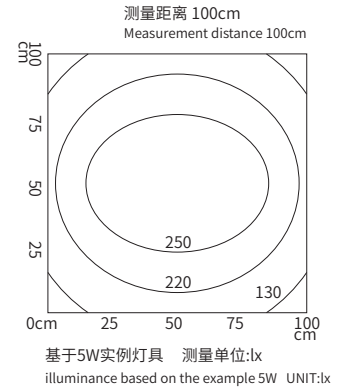
8W 24V DC 6000K~6500K正白



基于5W实例灯具 测量单位:lx
illuminance based on the example 5W UNIT:lx

型号Model	功率Power	L(mm)	数字(Num)	电压(In. Vol)	色温(Color Tem.)
GSLED-105-□	5W	200	1	24V DC	6000K~6500K正白
GSLED-108-□	8W	300	1	24V DC	6000K~6500K正白
GSLED-110-□	10W	450	2	24V DC	4000K~4500K暖白
GSLED-115-□	15W	600	3	100~277V AC 50/60Hz	6000K~6500K正白
GSLED-118-□	18W	900	3	100~277V AC 50/60Hz	6000K~6500K正白
GSLED-124-□	24W	1200	4	100~277V AC 50/60Hz	4000K~4500K暖白

照度值 (Luminous Flux) >100 lm/W



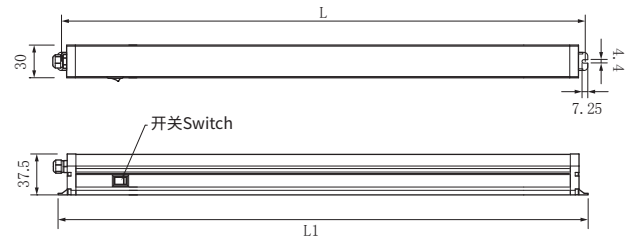
暖白 正白

IP20 4000k 4500k 6000k 6500k III >80 M12 1.5M +55 -25 寿命 life 50000h LED 5730

GSLED2系列LED支架灯 LED Bracket Light

- 开关控制, 灵活便捷
- 照明无眩晕, 高效率, 发光均匀

Switch control, flexible and convenient
Lighting without glare, high energy efficiency, uniform luminescence



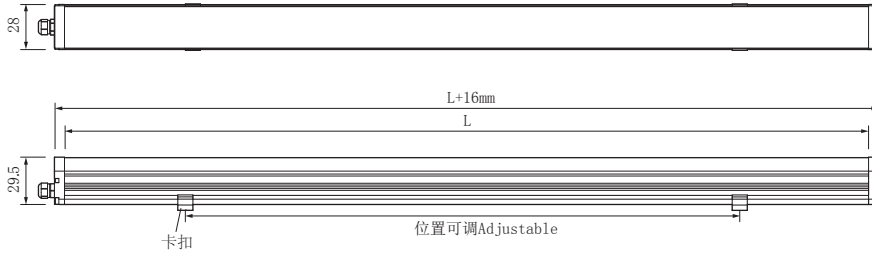
订购型号 示例(order eg.):

GSLED2 - 1 08 - 1

8W 24V DC 6000K~6500K正白

型号 Model	功率 Power	L(mm)	L1(mm)	数字 (Num)	电压 (In. Vol)	色温 (Color Tem.)
GSLED2-105-□	5W	229	236	1	24V DC	6000K~6500K正白
GSLED2-108-□	8W	329	336			
GSLED2-110-□	10W	479	486	2	24V DC	4000K~4500K暖白
GSLED2-115-□	15W	629	636			
GSLED2-118-□	18W	929	936	3	100~277V AC 50/60Hz	6000K~6500K正白
GSLED2-124-□	24W	1229	1236			
				4	100~277V AC 50/60Hz	4000K~4500K暖白

照度值 (Luminous Flux) > 100 lm/W



安装方式 Installation: 卡扣式 Card buckle

暖白 正白

IP20 4000k 4500k 6000k 6500k III >80 M12 1.5M +55 -25 寿命 life 50000h LED 5730

HSLED系列LED支架灯 LED Bracket Light

应用场所:

高铁检查机、冰柜、电柜、冷柜、流水线及其他照明。

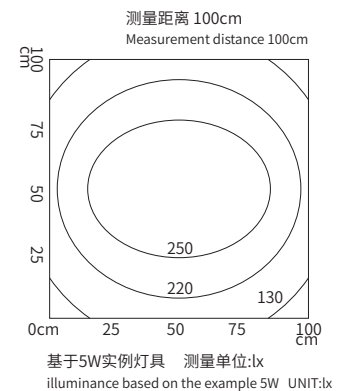
Application:

Deep freezer, electrical cabinet, armature, assembly line and other lighting.

订购型号 示例(order eg.):

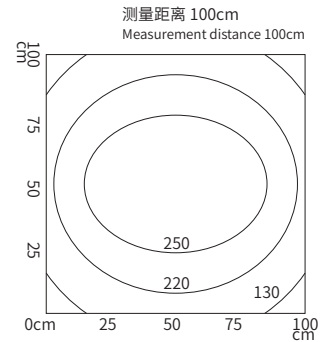
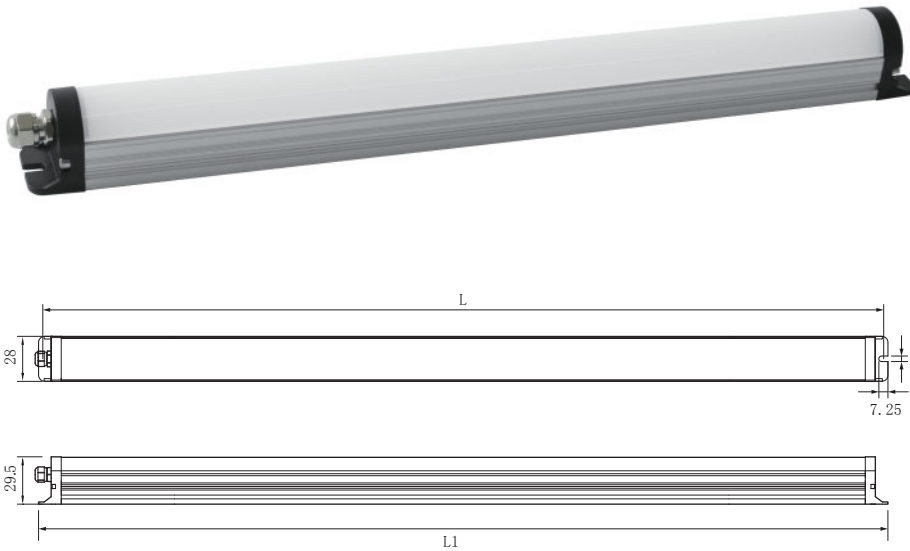
HSLED - 1 10 - 1

10W 24V DC 6000K~6500K正白



型号 Model	功率 Power	L(mm)	数字 (Num)	电压 (In. Vol)	色温 (Color Tem.)
HSLED-105-□	5W	200	1	24V DC	6000K~6500K正白
HSLED-108-□	8W	300			
HSLED-110-□	10W	450			
HSLED-115-□	15W	600	2	24V DC	4000K~4500K暖白
HSLED-118-□	18W	900			
HSLED-124-□	24W	1200			

照度值 (Luminous Flux) >100 lm/W



基于5W实例灯具 测量单位:lx
illuminance based on the example 5W UNIT:lx

暖白 正白

IP20 4000k 4500k 6000k 6500k III >80 M12 1.5M +55 -25 寿命 life 50000h LED 5730

HSLED2系列LED支架灯 LED Bracket Light

应用场所:

高铁闸机、冰柜、电柜、冷柜、流水线及其他照明。

Application:

High-speed rail gate, electrical cabinet, armature, assembly line and other lighting.



订购型号 示例(order eg.):

HSLED2 - 1 10 - 1

10W 24V DC 6000K~6500K正白

型号Model	功率Power	L(mm)	L1(mm)	数字(Num)	电压(In. Vol)	色温(Color Tem.)
HSLED2-105-□	5W	229	236	1	24V DC	6000K~6500K正白
HSLED2-108-□	8W	329	336			
HSLED2-110-□	10W	479	486			
HSLED2-115-□	15W	629	636	2	24V DC	4000K~4500K暖白
HSLED2-118-□	18W	929	936			
HSLED2-124-□	24W	1229	1236			

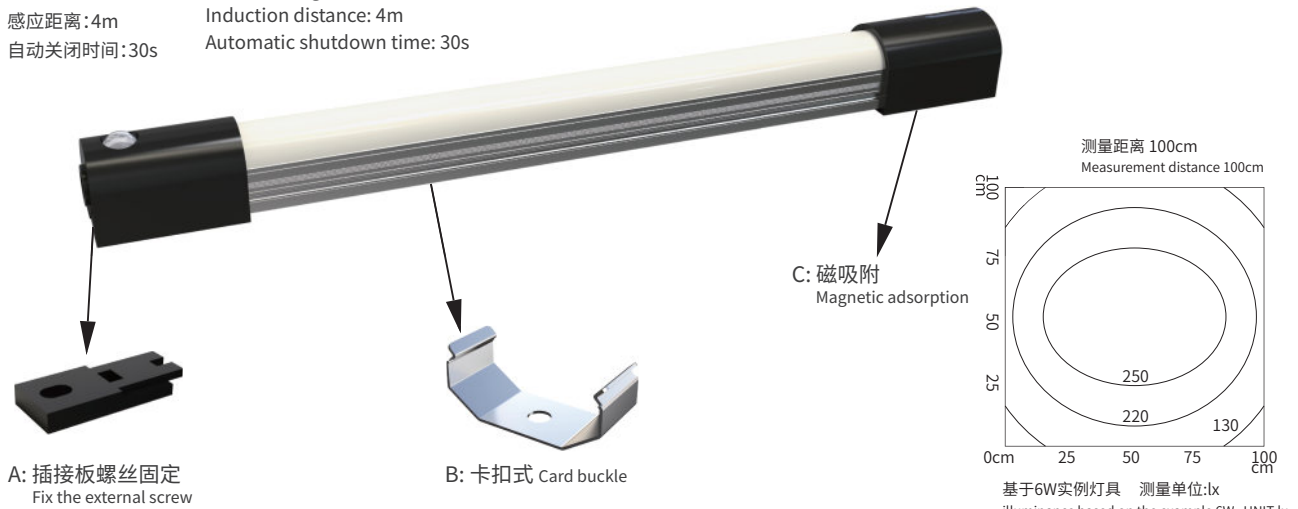
照度值 (Luminous Flux) >100 lm/W

感应性能:

感应模式: 人体运动
感应角度: 120°
感应距离: 4m
自动关闭时间: 30s

Sensitivity:

Induction mode: human movement
Induction Angle: 120°
Induction distance: 4m
Automatic shutdown time: 30s



暖白 正白

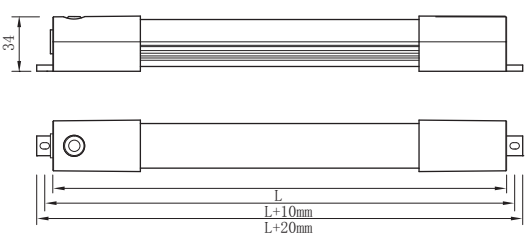
IP20 4000k 4500k 6000k 6500k III >80 M12 1.5M +55 -25 寿命 life 50000h

KSLED系列LED感应灯 Sense LED Light

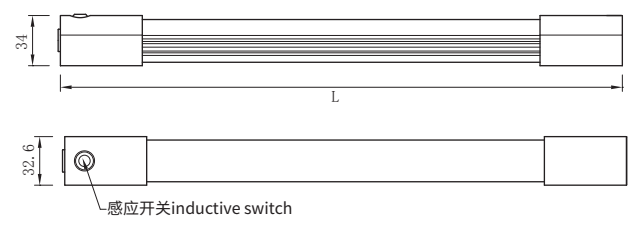
- 人体感应, 自动感应亮灯, 操作简单
- 特殊光学结构, 照明无眩光, 发光均匀
- 高效率, 节约能源损耗
- Human body induction, automatic induction lighting; key switch, simple operation
- Special optical structure, illumination without glare, uniform light emission
- High energy efficiency, saving energy consumption

应用场所:
高铁闸机、冰柜、电柜、冷柜、流水线及其他照明。

Application:
High-speed rail gate, electrical cabinet, armature, assembly line and other lighting.



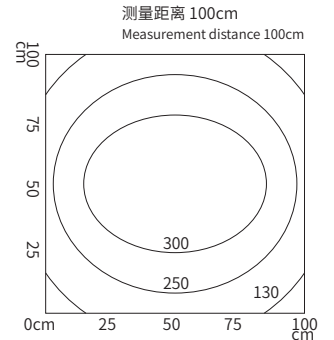
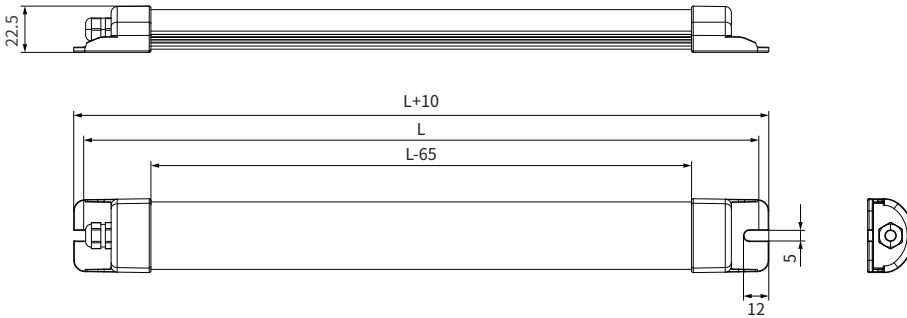
安装方式A (Installation A)



安装方式B、C (Installation B、C)

型号 Model	功率 Power	L (mm)	数字 (Num)	电压 (In. Vol)	色温 (Color Tem.)	安装 (installation)
KSLED-103-□□	3W	385	1	24V DC	6000K~6500K正白	A 插接板螺丝固定 (Fix the external screw)
KSLED-106-□□	6W	685				B 卡扣式 (Card buckle)
KSLED-109-□□	9W	985	2	24V DC	4000K~4500K暖白	C 磁吸附 (Magnetic adsorption)
KSLED-112-□□	12W	1285				

照度值 (Luminous Flux) > 100 lm/W



基于6W实例灯具 测量单位:lx
illuminance based on the example 6W UNIT:lx

-
- 暖白**
4000k
4500k
- 正白**
6000k
6500k
-
- >80 CRI icon"/>
-
-
- 寿命 life**
50000h
-

QSLED系列电柜灯 Electric cabinet LED Light

- 灵活便捷, 启动快, 允许频繁启动
- 特殊光学结构, 照明无眩光, 发光均匀
- 绿色环保、无频闪、无紫外线光、无红外辐射
- Quick start and frequent starts allowed
- Special optics structure, flicker-free, uniform light distribution
- Green environmental protection, no stroboscopic, no ultraviolet (uv) light, no infrared radiation

应用场所:
高铁闸机、冰柜、电柜、冷柜、流水线及其他照明。

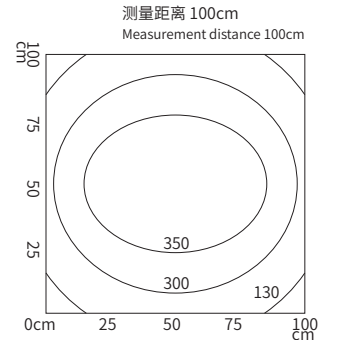
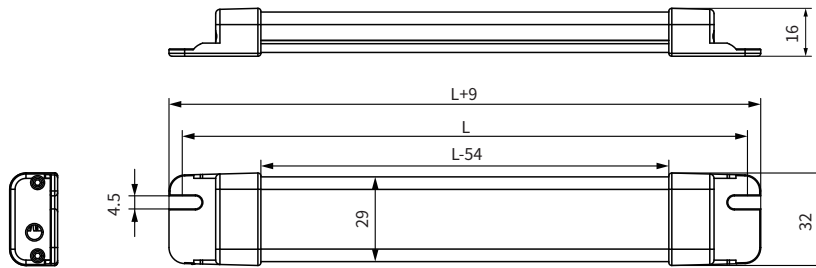
Application:
High-speed rail gate, electrical cabinet, armature, assembly line and other lighting.

订购型号 示例(order.eg.):

QSLED - 1 04 - 1
└───┘ └───┘
4W 24V DC 6000K~6500K正白

型号Model	功率Power	L(mm)	L1(mm)	数字(Num)	电压(In. Vol)	色温(Color Tem.)
QSLED-103-□	3W	150	172	1	24V DC	6000K~6500K正白
QSLED-105-□	5W	225	247			
QSLED-106-□	6W	300	322	2	24V DC	4000K~4500K暖白
QSLED-108-□	8W	375	397			

照度值 (Luminous Flux) > 100 lm/W



基于12W实例灯具 测量单位:lx
illuminance based on the example 12W UNIT:lx

IP20
暖白 4000k 4500k
正白 6000k 6500k
III
>80
1.5M
+55 -25
寿命 life 50000h

RSLED系列电柜灯 Electric cabinet LED Light

- 灵活便捷, 启动快, 允许频繁启动
- 特殊光学结构, 照明无眩光, 发光均匀
- 绿色环保, 无频闪, 无紫外线光, 无红外辐射

- Quick start and frequent starts allowed
- Special optics structure, flicker-free, uniform light distribution
- Green environmental protection, no stroboscopic, no ultraviolet (uv) light, no infrared radiation

应用场所:

高铁闸机、冰柜、电柜、冷柜、流水线及其他照明。

Application:

High-speed rail gate, electrical cabinet, armature, assembly line and other lighting.

订购型号 示例(order eg.):

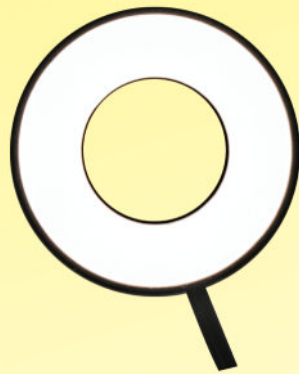
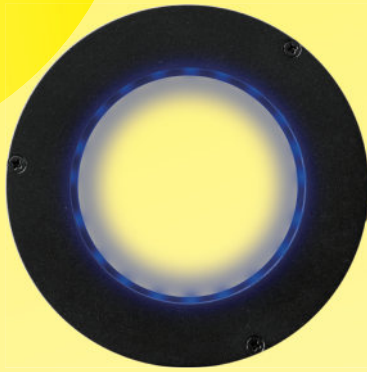
RSLED - 1 03 - 1

└───┬───┘ └───┬───┘

3W 24V DC 6000K~6500K正白

型号Model	功率Power	L(mm)	数字(Num)	电压(In. Vol)	色温(Color Tem.)
RSLED-103-□	3W	195	1	24V DC	6000K~6500K正白
RSLED-106-□	6W	335			
RSLED-109-□	9W	475			
RSLED-112-□	12W	615	2	24V DC	4000K~4500K暖白
RSLED-118-□	18W	895			
RSLED-124-□	24W	1175			

照度值 (Luminous Flux) > 100 lm/W



www.otennlux.com





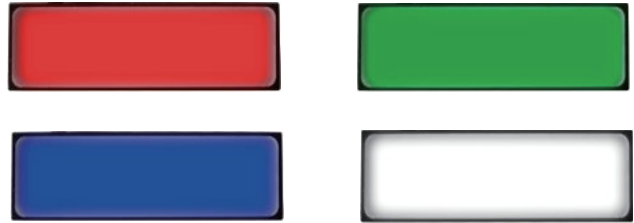
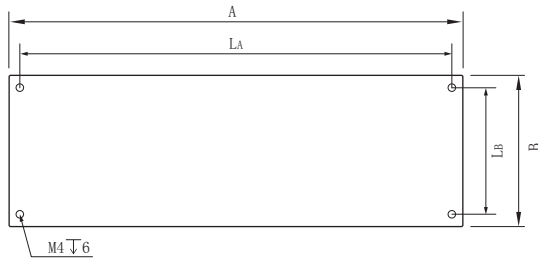
视觉照明 VISUAL LIGHT

欧登视觉照明, 高自由度均匀照射, 可以将被测物特征最大化, 并减少相应的背景中对比物的影响, 适用于检测产品包装袋上的日期、检测表面高亮/反光的物体、检测IPA高精度部件的外形尺寸、检测包装/标签等。

Otennlux Visual illumination, high degree of freedom and uniform illumination can maximize the characteristics of the measured object and reduce the influence of the contrast in the corresponding background. It is suitable for detecting the date on the product packaging bag, detecting the highlight/reflective object on the surface, and detecting IPA. High-precision components, dimensions, inspection packaging/labels, etc.



- 检测产品包装袋上的日期
- 检测表面高亮、反光的物体
- 检测IPA高精度部件的外形尺寸
- 检测包装、标签
- Test the date on the packaging bag
- Inspect surface highlights and reflective objects
- Monitor the dimensions of IPA high precision components
- checking package and label



非凝结
non-condensable



OVF系列机器/设备视觉照明 Machine/equipment visual lighting

峰值波长:

红色 620~630nm
绿色 525~530nm
蓝色 465~470nm
白色 6500K(色温)
紫外 365~395nm
红外 850~860nm/930~940nm

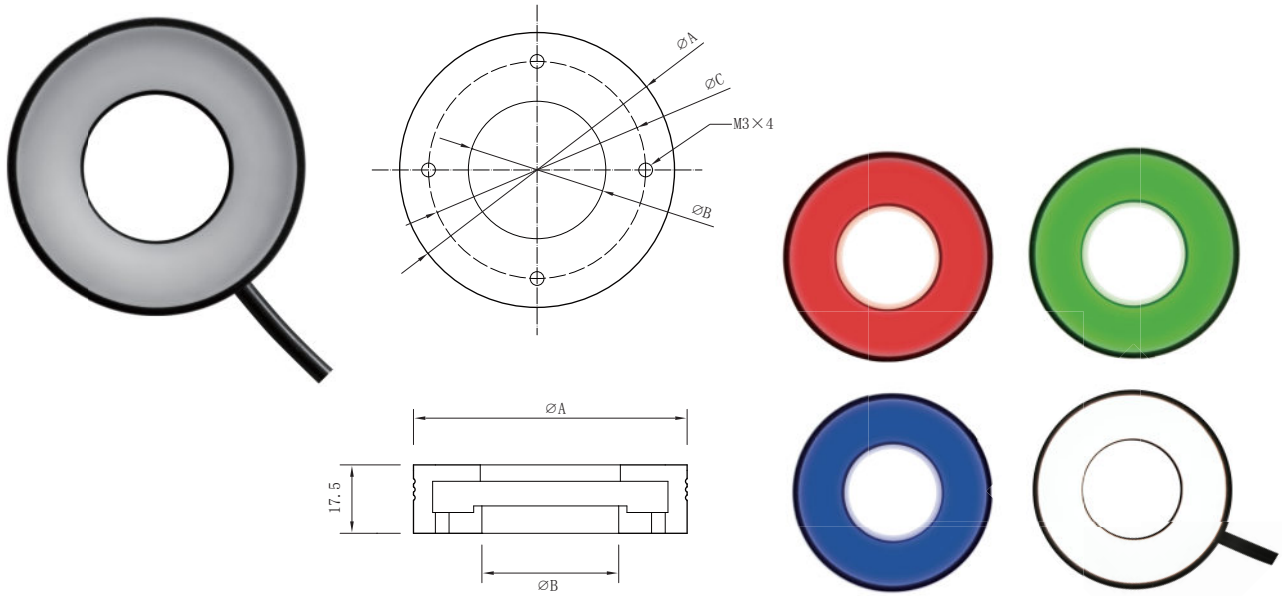
Peak wavelength:

Red: 620~630nm
Green: 525~530nm
Blue: 465~470nm
White: 6500K (Color temperature)
Ultraviolet: 365~395nm
Infrared: 850~860nm/930~940nm

L:安装尺寸 Installation Dimension

型号Model	功率Power	A(mm)	LA(mm)	B(mm)	LB(mm)	H(mm)	电压(In. Vol)	光色Color
OVF-20-1	3W	60	54	20	14	18	24V DC	<ul style="list-style-type: none"> ● 红色 Red ● 绿色 Green ● 蓝色 Blue ● 白色 White
OVF-20-2	5W	100	94					
OVF-20-3	7W	150	144					
OVF-20-4	9W	200	194					
OVF-40-1	5W	100	94	40	34	22		
OVF-40-2	8W	150	144					
OVF-40-3	10W	200	194					
OVF-40-4	12W	300	294					
OVF-60-1	8W	150	144	60	54	25		
OVF-60-2	10W	250	244					
OVF-60-3	12W	350	344					
OVF-60-4	15W	450	444					

透光率transmittance >0.8



非凝结
non-condensable



OVO系列机器/设备视觉照明 Machine/equipment visual lighting

·峰值波长:

- 红色 620~630nm
- 绿色 525~530nm
- 蓝色 465~470nm
- 白色 6500K(色温)
- 紫外 365~395nm
- 红外 850~860nm/930~940nm

·Peak wavelength:

- Red: 620~630nm
- Green: 525~530nm
- Blue: 465~470nm
- White: 6500K (Color temperature)
- Ultraviolet: 365~395nm
- Infrared: 850~860nm/930~940nm

应用:

- 检测食品袋上的日期
- 检测表面高亮、反光的物体
- 检测包装、标签

Application:

- Check the date on the food bag
- Inspect surface highlights and reflective objects
- checking package and label

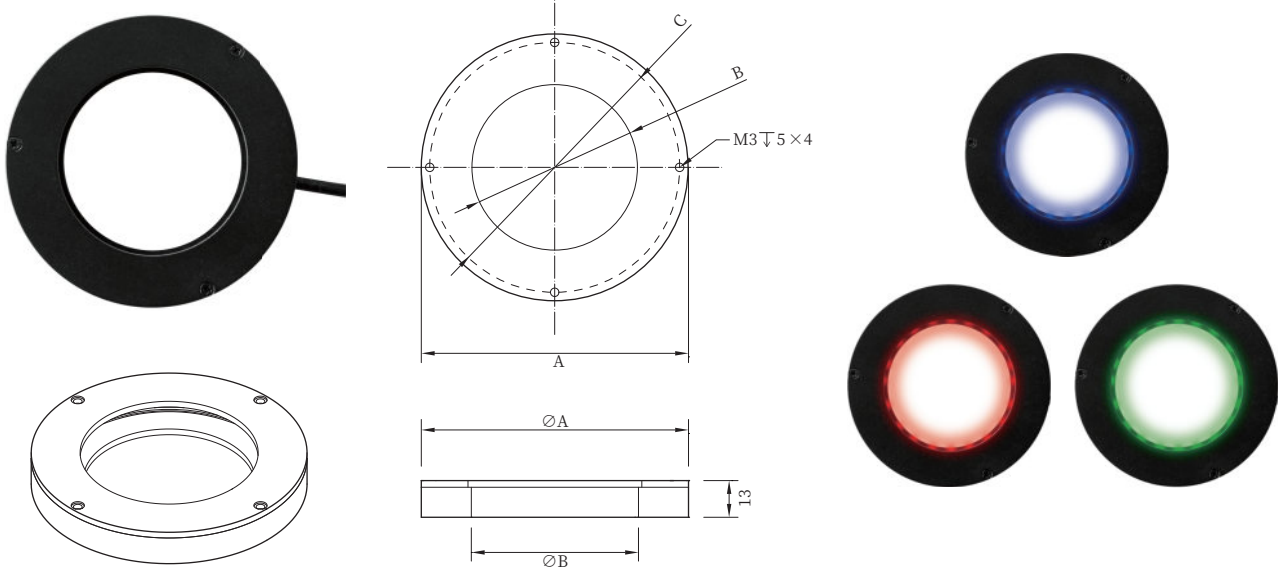
应用范例Application Example:

按钮精确定位Positioning of buttons.



型号Model	功率Power	A(mm)	B(mm)	C(mm)	电压(In. Vol)	光色Color
OVO-02	5W	50	18	39.5	24V DC	● 红色 Red
OVO-03	8W	80	40	62		● 绿色 Green
OVO-05	10W	100	50	75		● 蓝色 Blue
OVO-06	12W	120	60	92		● 白色 White

透光率transmittance > 0.8



非凝结
non-condensable



OVR系列机器/设备视觉照明 Machine/equipment visual lighting

·峰值波长:

红色 620~630nm
绿色 525~530nm
蓝色 465~470nm
白色 6500K (色温)
紫外 365~395nm
红外 850~860nm/930~940nm

· peak wavelength:

Red: 620~630nm
Green: 525~530nm
Blue: 465~470nm
White: 6500K (Color temperature)
Ultraviolet: 365~395nm
Infrared: 850~860nm/930~940nm

应用:

- 检测产品包装袋上的日期;
- 检测表面高亮、反光的物体;
- 检测IPA高精密部件的外形尺寸;
- 检测包装、标签。

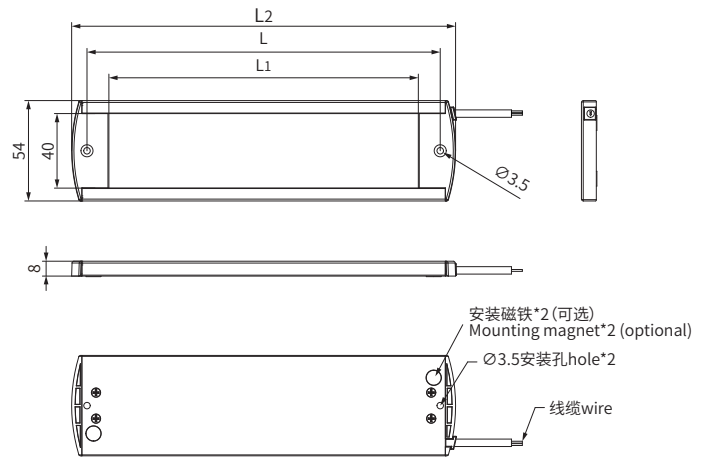
Application:

- Test the date on the packaging bag;
- Inspect surface highlights and reflective objects;
- Monitor the dimensions of IPA high precision components;
- checking package and label.

型号Model	功率Power	A(mm)	B(mm)	C(mm)	电压(In. Vol)	光色Color
OVR-02	2W	60	31	55	24V DC	<ul style="list-style-type: none"> ● 红色 Red ● 绿色 Green ● 蓝色 Blue ● 白色 White
OVR-03	3W	70	41	65		
OVR-05	5W	100	71	95		
OVR-06	6W	120	91	115		
OVR-08	8W	130	101	125		
OVR-10	10W	150	121	145		



OLV1



OLV系列面发光工作灯 Face-lit Working Light

- 整个面发光, 发光均匀
- 安装方式有螺丝固定· 磁铁
- 特殊光学结构, 照明无眩光, 发光均匀
- Evenly illuminated on the entire surface
- Special optical structure, no glare, uniform luminescence
- Mounted with screws -Magnets

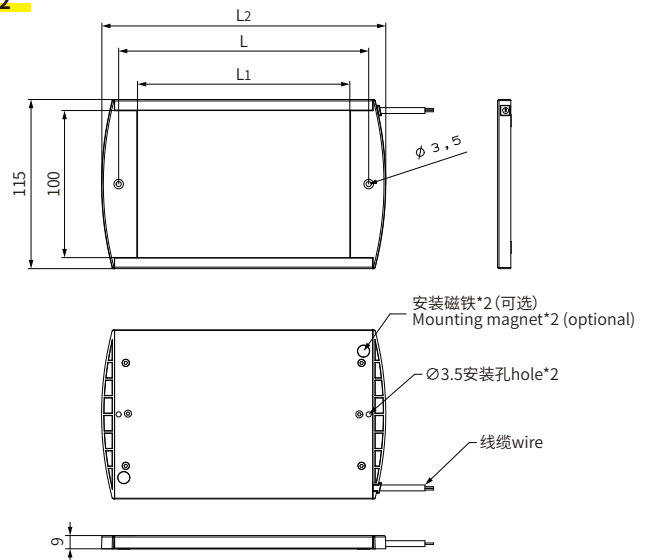
应用场所:

适用于小型设备, 用于检查产品外观、毛刺等。

Application:

Suitable for small machines for checking product appearance, burrs, etc.

OLV2



型号Model	功率Power	L(mm)	L1(mm)	L2(mm)	W(mm)	电压(In. Vol)	光色Color
OLV1-2-1	2W	90	66	107	54	24VDC	● 白色
OLV1-5-1	5W	190	166	207			
OLV1-9-1	9W	290	266	307			
OLV1-12-1	12W	390	366	407			
OLV2-8-1	8W	120	94	143	115	24VDC	● 红色
OLV2-16-1	16W	170	144	193			



www.otennlux.com



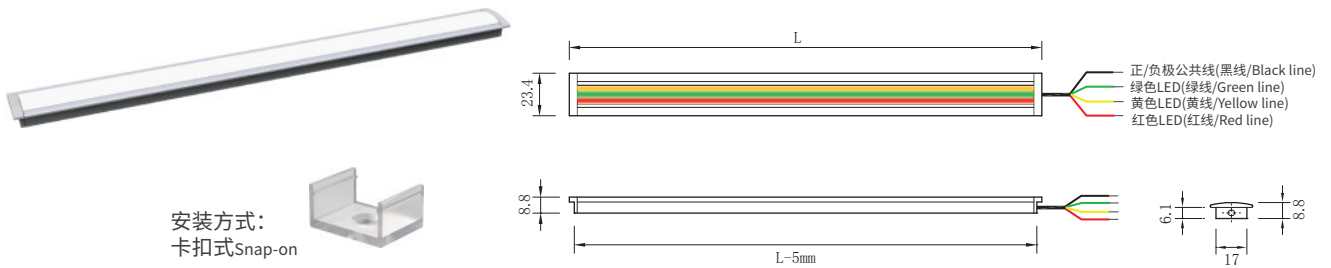


LED警示灯 SIGNAL LIGHT

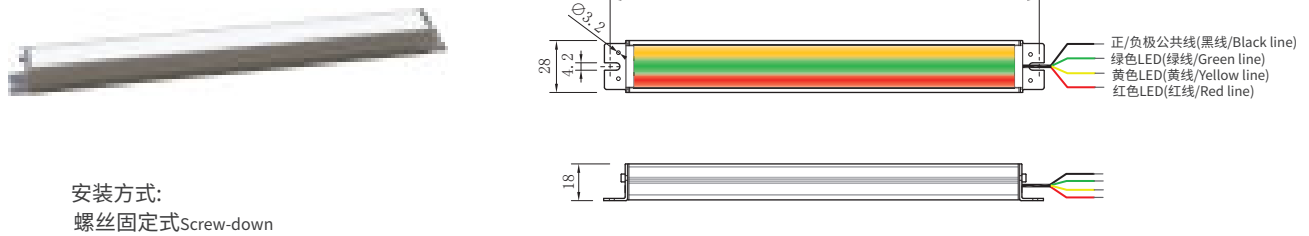
欧登警示灯采用优质LED, 使用寿命长, 远距离可视范围, 识别效果清晰, 材质坚固耐用, 多种型号可供客户选择。适用于数控机床、组合机床、加工中心、安防设备、激光设备、流水线、安检系统及其他。

Otennlux signal tower light adopts high-quality LED, long service life, long-distance visible range, clear identification effect, strong and durable material, a variety of models are available for customers to choose. It is suitable for CNC machine tools, combination machine tools, machining centers, security equipment, laser equipment, assembly lines, security inspection systems and others.

OLL



OLL1



OLL系列LED三色灯条 LED tricolor light bar

- 高效LED多功能灯条, 性价比高
- 高透光率的亚克力灯罩, 防眩光
- 灯体由铝合金制成, 易散热抗冲击

- High efficiency LED multi-function strip, high cost performance
- Acrylic lamp shade with high light transmittance, anti-glare
- The lamp body is made of aluminum alloy, easy to dissipate heat and resist impact

应用场所:

数控机床、组合机床、加工中心、安防设备、激光设备、流水线、安检系统及其他。

Application:

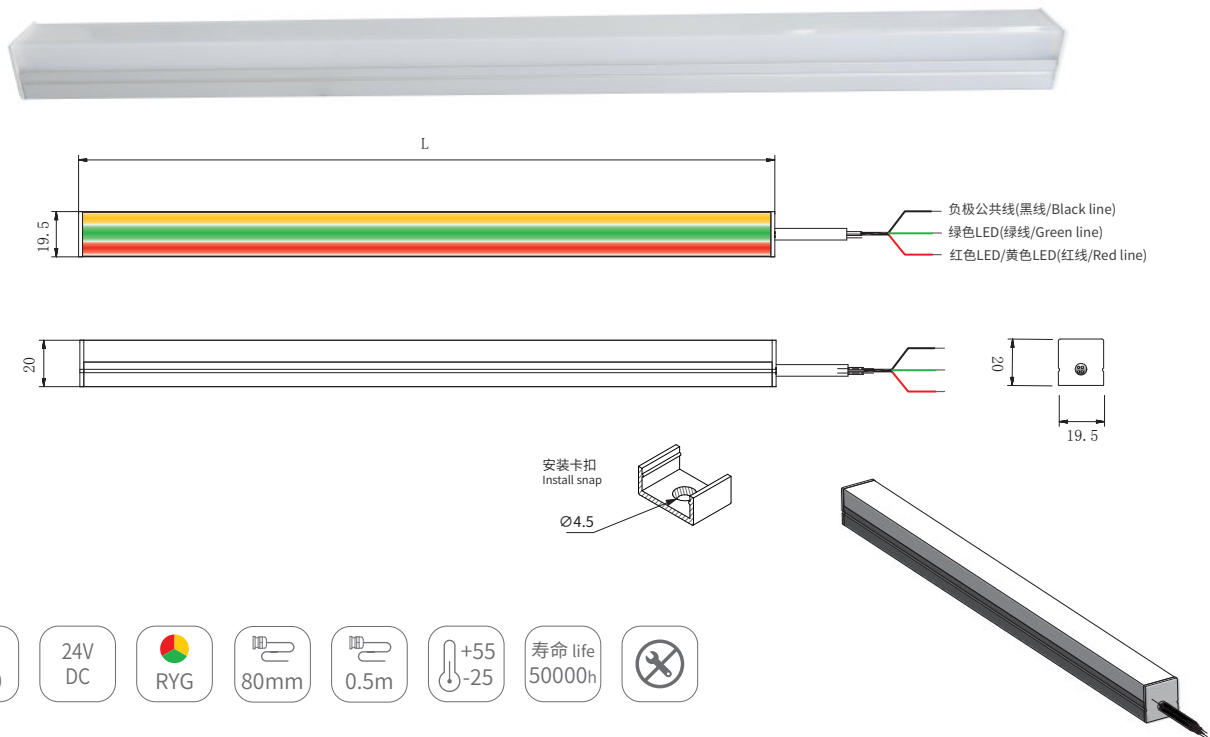
CNC machine tools, machine tool, machining center, security equipment, laser equipment, assembly line, security system and other lighting.

光色Color ● ● ●

型号Model	L(mm)	末端代码(end code)
OLL-1-□	260	N-共负极 (PNP型)
OLL-2-□	812	
OLL-3-□	854	P-共正极 (NPN型)
OLL-4-□	1654	

光色Color ● ● ●

型号Model	L(mm)	末端代码(end code)
OLL1-1-□	300	N-共负极 (PNP型)
OLL1-2-□	500	
OLL1-3-□	800	P-共正极 (NPN型)
OLL1-4-□	1200	



OLL2系列LED流水灯 LED Flowing water lights

- 高效LED多功能灯条, 性价比高
- 高透光率的亚克力灯罩, 防眩光
- 灯体由铝合金制成, 易散热抗冲击

- High efficiency LED multi-function strip, high cost performance
- Acrylic lamp shade with high light transmittance, anti-glare
- The lamp body is made of aluminum alloy, easy to dissipate heat and resist impact

应用场所:

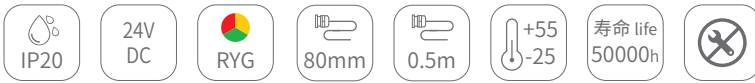
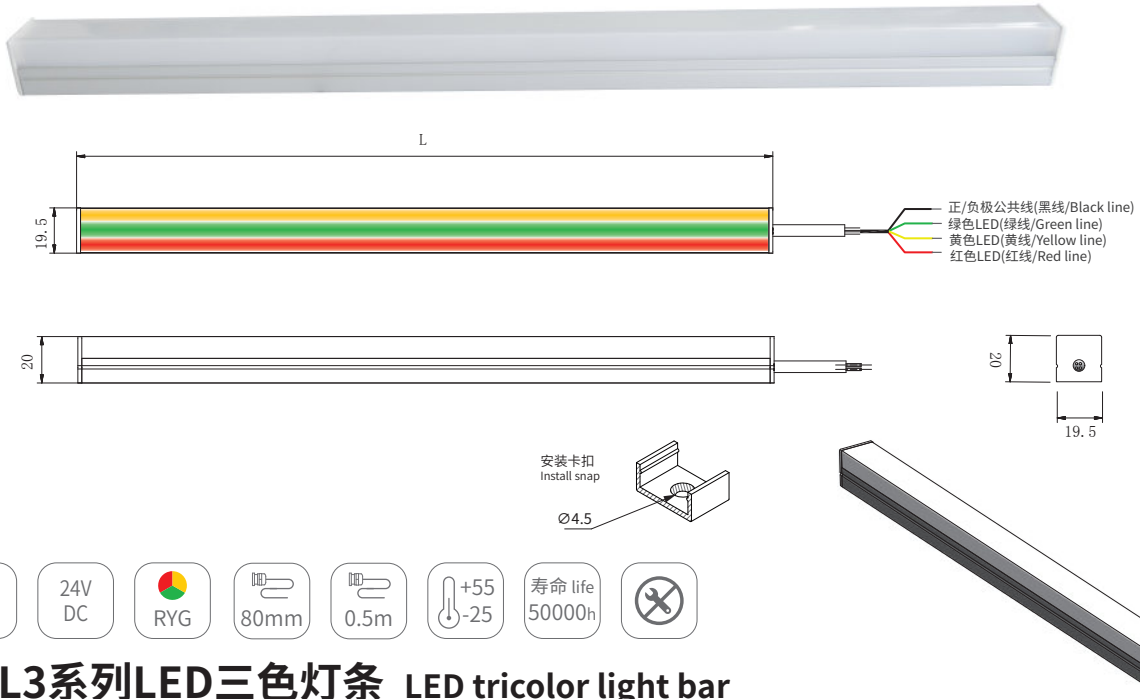
数控机床、组合机床、加工中心、安防设备、激光设备、流水线、安检系统及其他。

Application:

CNC machine tools, machine tool, machining center, security equipment, laser equipment, assembly line, security system and other lighting.

型号 Model	L (mm)	光色 Color
OLL2-300-□	300	● ● ●
OLL2-346-□	346	● ● ●
OLL2-400-□	400	● ● ●
OLL2-454-□	454	● ● ●
OLL2-500-□	500	● ● ●
OLL2-600-□	600	● ● ●
OLL2-800-□	800	● ● ●
OLL2-1000-□	1000	● ● ●
OLL2-1200-□	1200	● ● ●
OLL2-1500-□	1500	● ● ●
OLL2-1700-□	1700	● ● ●
OLL2-2000-□	2000	● ● ●

1	红色 Red
2	黄色 Yellow
3	绿色 Green
4	红色&绿色 Red & Green
5	黄色&绿色 Yellow & Green



OLL3系列LED三色灯条 LED tricolor light bar

- 高效LED多功能灯条, 性价比高
- 高透光率的亚克力灯罩, 防眩光
- 灯体由铝合金制成, 易散热抗冲击
- High efficiency LED multi-function strip, high cost performance
- Acrylic lamp shade with high light transmittance, anti-glare
- The lamp body is made of aluminum alloy, easy to dissipate heat and resist impact

应用场所:

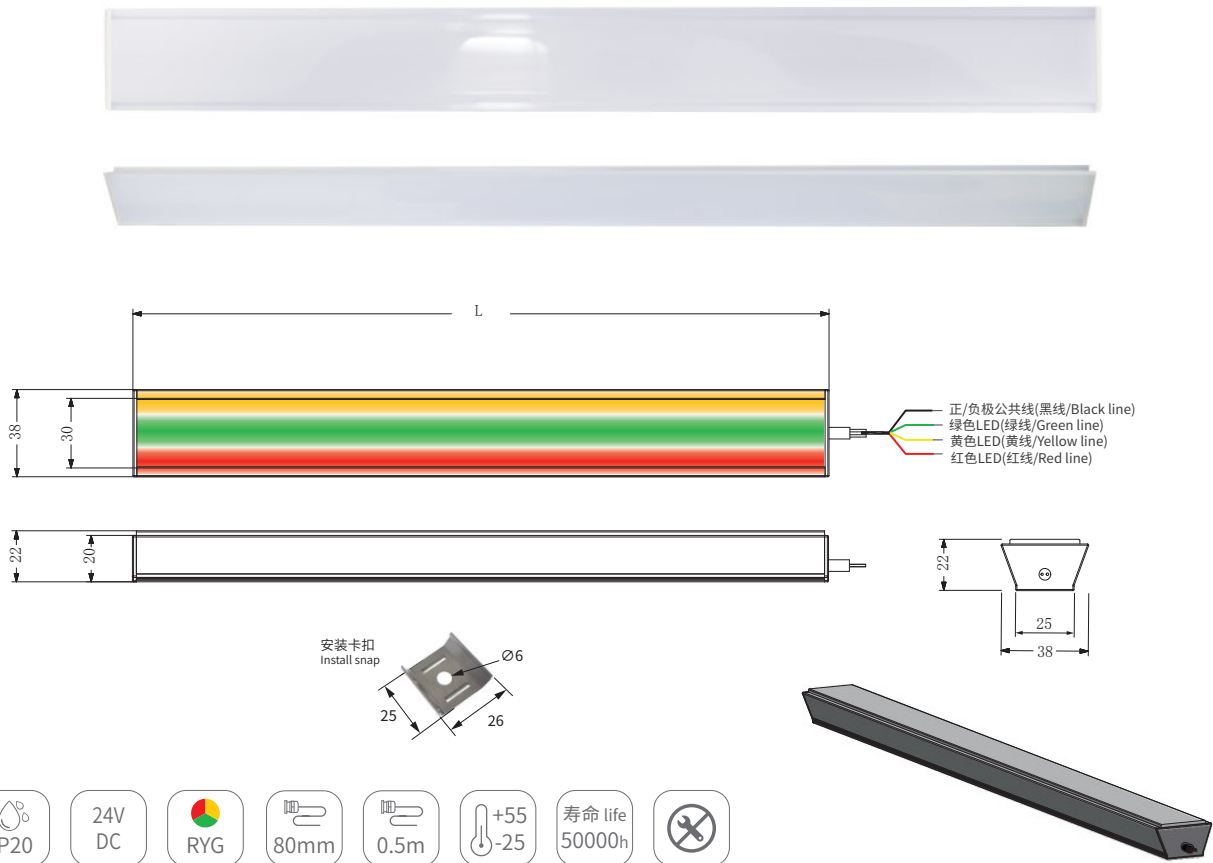
数控机床、组合机床、加工中心、安防设备、激光设备、流水线、安检系统及其他。

Application:

CNC machine tools, machine tool, machining center, security equipment, laser equipment, assembly line, security system and other lighting.

光色Color ● ● ●

型号Model	L(mm)	末端代码(end code)
OLL3-238-□	238	N-共负极 (PNP型) P-共正极 (NPN型)
OLL3-300-□	300	
OLL3-346-□	346	
OLL3-400-□	400	
OLL3-454-□	454	
OLL3-500-□	500	
OLL3-600-□	600	
OLL3-670-□	670	
OLL3-778-□	778	
OLL3-800-□	800	
OLL3-1000-□	1000	
OLL3-1200-□	1200	
OLL3-1426-□	1426	
OLL3-1500-□	1500	
OLL3-1700-□	1700	
OLL3-2000-□	2000	



-
-
-
-
-
-
-
-

OLL4系列LED三色灯条 LED tricolor light bar

- 高透光率的亚克力灯罩, 防眩光
- 高效LED多功能灯条, 性价比高
- 寿命长, 高能效, 节约能源损耗
- High transmittance acrylic lampshade, anti-glare
- High efficiency LED multifunctional light bar, high cost performance
- Long life, high energy efficiency, save energy loss

应用场所:

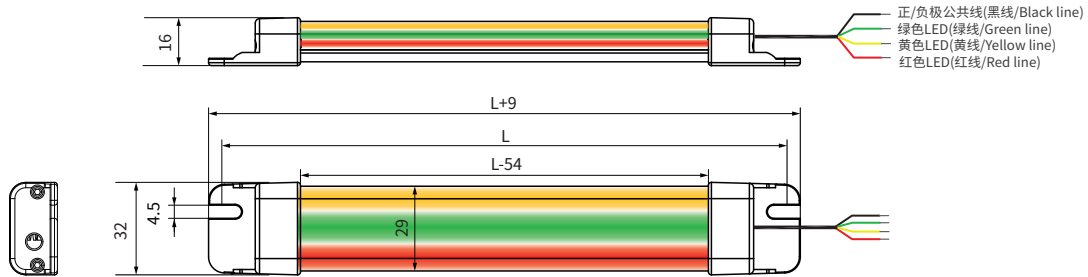
数控机床、组合机床、加工中心、安防设备、激光设备、流水线、安检系统及其他。

Application:

CNC machine tools, machine tool, machining center, security equipment, laser equipment, assembly line, security system and other lighting.

光色Color ● ● ●

型号Model	L(mm)	末端代码(end code)
OLL4-1-□	300	N-共负极 (PNP型)
OLL4-2-□	400	
OLL4-3-□	500	P-共正极 (NPN型)
OLL4-4-□	600	



OLL5系列LED三色灯条 LED tricolor light ba

- 高效LED多功能灯条, 性价比高
- 高透光率的亚克力灯罩, 防眩光
- 灯体由铝合金制成, 易散热抗冲击

- High efficiency LED multi-function strip, high cost performance
- Acrylic lamp shade with high light transmittance, anti-glare
- The lamp body is made of aluminum alloy, easy to dissipate heat and resist impact

应用场所:

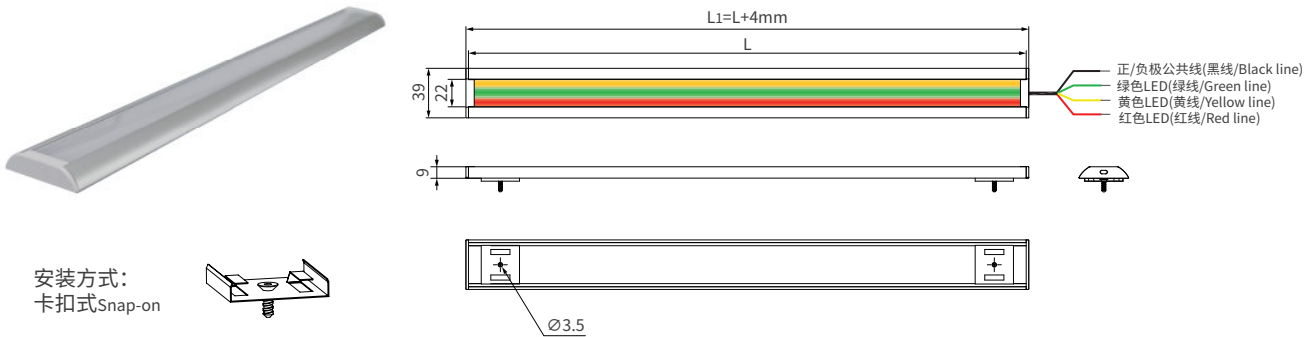
数控机床、组合机床、加工中心、安防设备、激光设备、流水线、安检系统及其他。

Application:

CNC machine tools, machine tool, machining center, security equipment, laser equipment, assembly line, security system and other lighting.

光色Color ● ● ●

型号 Model	L (mm)	末端代码(end code)
OLL5-195- <input type="checkbox"/>	195	N-共负极 (PNP型) P-共正极 (NPN型)
OLL5-335- <input type="checkbox"/>	335	
OLL5-475- <input type="checkbox"/>	475	
OLL5-615- <input type="checkbox"/>	615	
OLL5-895- <input type="checkbox"/>	895	
OLL5-1175- <input type="checkbox"/>	1175	



OLL6系列LED多功能警示灯 LED Multi-Functional Signal Light

- 灯体宽度39mm, 外观时尚简约
- 高效LED多功能灯条, 高辨识能力强的光源, 鲜艳醒目, 可满足多种环境
- 灯体由铝合金制成, 易散热抗冲击
- Light body width 39mm, stylish and simple appearance
- High efficiency LED multifunctional light bar, high recognition ability light source, bright and eye-catching, can meet a variety of environments
- Light body made of aluminum alloy, easy heat dissipation and impact resistance

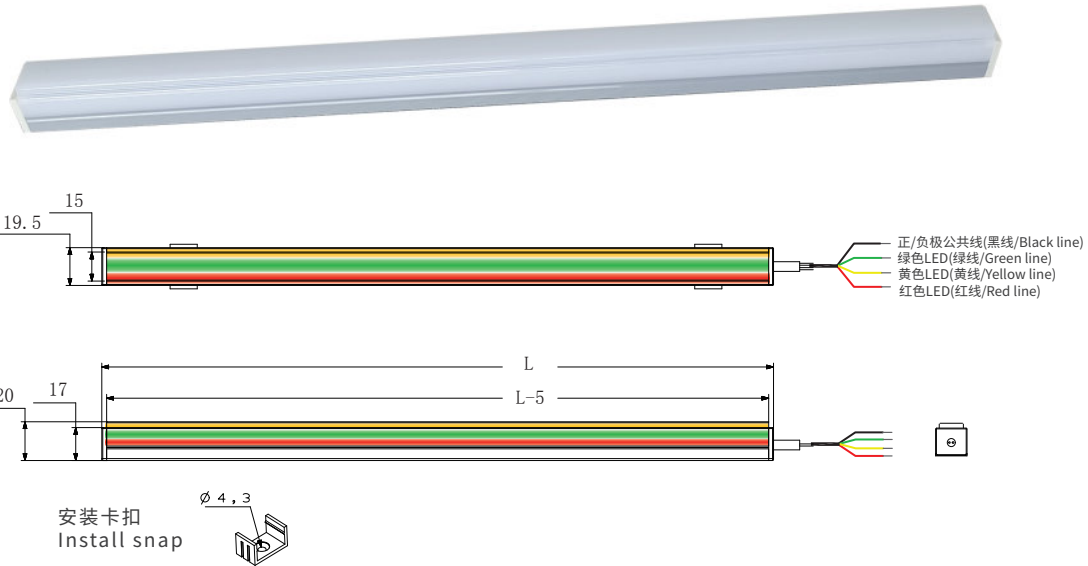
应用场所:

数控机床、组合机床、加工中心、安防设备、激光设备、流水线、安检系统及其他。

Application:

CNC machine tools, machine tool, machining center, security equipment, laser equipment, assembly line, security system and other lighting.

型号Model	L(mm)	L1(mm)	末端代码(end code)	光色Color
OLL6-1-□	300	304	N-共负极 (PNP型) P-共正极 (NPN型)	
OLL6-2-□	400	404		
OLL6-3-□	500	504		
OLL6-4-□	600	604		
OLL6-5-□	800	804		
OLL6-6-□	1000	1004		



OLL7系列LED多功能警示灯 LED Multi-Functional Signal Light

- 高效LED多功能灯条, 性价比高
- 高透光率的亚克力灯罩, 防眩光
- 灯体由铝合金制成, 易散热抗冲击

- High efficiency LED multi-function strip, high cost performance
- Acrylic lamp shade with high light transmittance, anti-glare
- The lamp body is made of aluminum alloy, easy to dissipate heat and resist impact

应用场所:

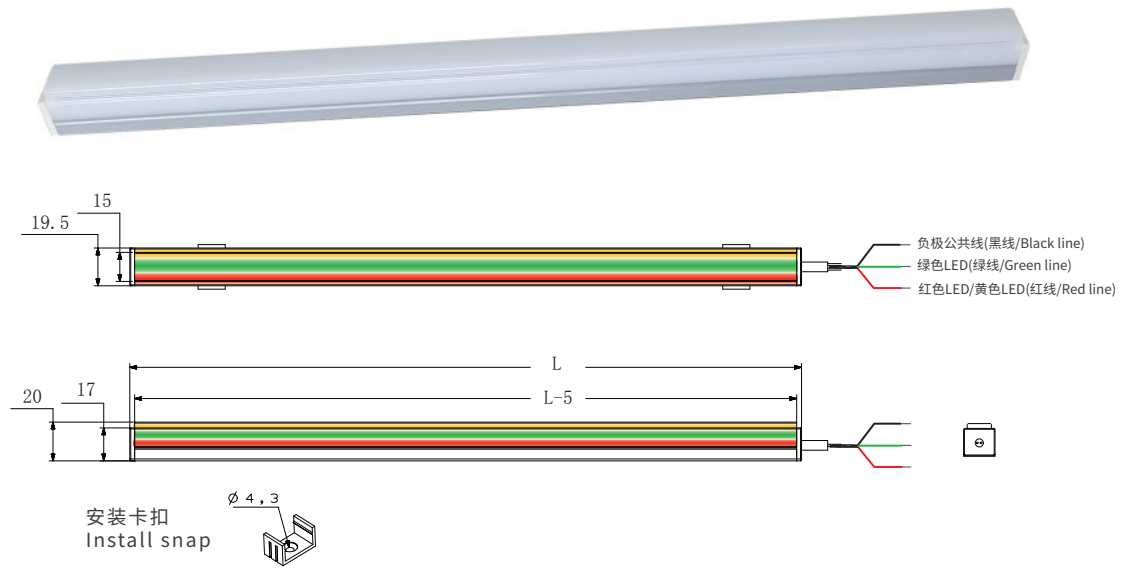
数控机床、组合机床、加工中心、安防设备、激光设备、流水线、安检系统及其他。

Application:

CNC machine tools, machine tool, machining center, security equipment, laser equipment, assembly line, security system and other lighting.

光色Color ● ● ●

型号Model	L(mm)	末端代码(end code)
OLL7-238-□	238	
OLL7-300-□	300	
OLL7-346-□	346	
OLL7-400-□	400	
OLL7-454-□	454	
OLL7-500-□	500	N-共负极 (PNP型)
OLL7-600-□	600	
OLL7-670-□	670	P-共正极 (NPN型)
OLL7-778-□	778	
OLL7-800-□	800	
OLL7-1000-□	1000	
OLL7-1200-□	1200	
OLL7-1426-□	1426	
OLL7-1500-□	1500	
OLL7-1700-□	1700	
OLL7-2000-□	2000	



OLL8系列LED流水灯 LED Flowing water lights

- 高效LED多功能灯条, 性价比高
- 高透光率的亚克力灯罩, 防眩光
- 灯体由铝合金制成, 易散热抗冲击

- High efficiency LED multi-function strip, high cost performance
- Acrylic lamp shade with high light transmittance, anti-glare
- The lamp body is made of aluminum alloy, easy to dissipate heat and resist impact

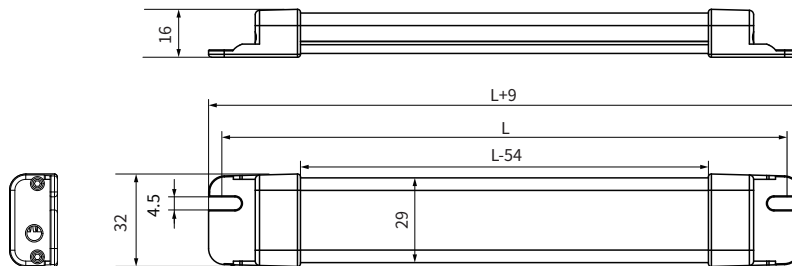
应用场所:

数控机床、组合机床、加工中心、安防设备、激光设备、流水线、安检系统及其他。

Application:

CNC machine tools, machine tool, machining center, security equipment, laser equipment, assembly line, security system and other lighting.

型号 Model	L(mm)	光色 Color
OLL8-300-□	300	
OLL8-346-□	346	
OLL8-400-□	400	
OLL8-454-□	454	
OLL8-500-□	500	
OLL8-600-□	600	
OLL8-800-□	800	
OLL8-1000-□	1000	
OLL8-1200-□	1200	
OLL8-1500-□	1500	
OLL8-1700-□	1700	
OLL8-2000-□	2000	
		1 红色 Red
		2 黄色 Yellow
		3 绿色 Green
		4 红色&绿色 Red & Green
		5 黄色&绿色 Yellow & Green

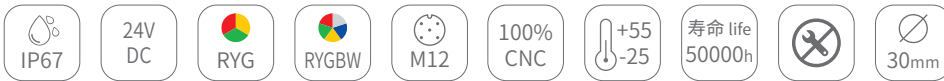
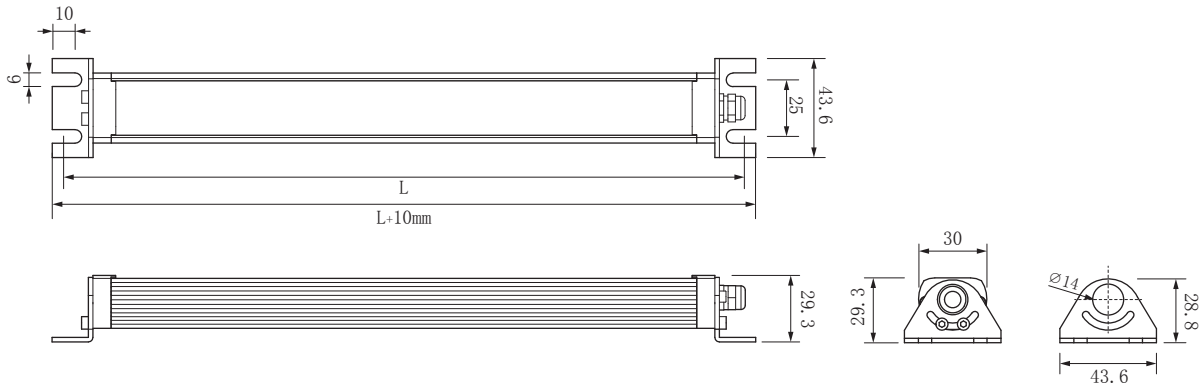


OLL9列LED七色灯条 LED Seven-color light ba

接线(Wiring)	序号(Num)	光色 (Signal Colors)	接线 (Wiring)
	1	■ 红色Red	红线Red line
	2	■ 绿色Green	绿线Green line
	3	■ 蓝色Bule	蓝线Bule line
	4	■ 黄色Yellow	红线+绿线(Red line+Green line)
	5	■ 青色Cyan	绿线+蓝线(Green line+Bule line)
	6	■ 紫色Purple	红线+蓝线(Red line+Bule line)
	7	■ 白色White	红线+绿线+蓝线(Red line+Green line+Bule line)

光色Color ● ● ● ● ● ● ●

型号Model	L(mm)	末端代码(end code)
OLL9-195-□	195	N-共负极 (PNP型) P-共正极 (NPN型)
OLL9-335-□	335	
OLL9-475-□	475	
OLL9-615-□	615	
OLL9-895-□	895	
OLL9-1175-□	1175	



OLWS系列管状防爆LED灯 Tube LED Light

- 具有防水、防油、防蚀与防爆功能
- 采用散热性良好的优质铝, 安全性高的透明钢化玻璃
- 低功耗、保护电路、寿命长
- With waterproof, oil-proof, anti-corrosion and explosion-proof functions
- Adopt high-quality aluminum with good heat dissipation and transparent toughened glass with high safety
- Low power consumption, protection circuit, long life

应用场所:

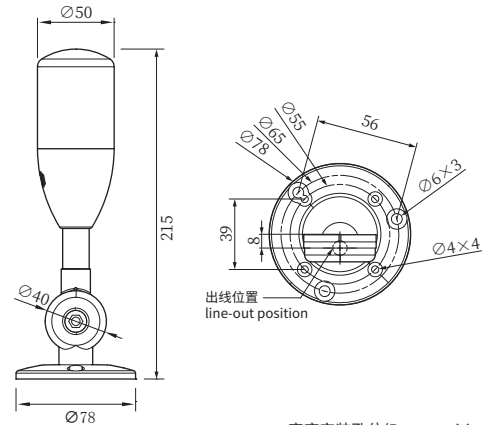
将照明和指示结合在一个设备中, 以照亮区域或机器, 并显示状态变化。

Application:

Combine lighting and indication in one device to illuminate areas or machines and show status changes.

M12	序号(Num)	光色 (Signal Colors)	接线 (Wiring)
	1	红色 (red)	pin1(棕brown)
	2	绿色 (green)	pin2(白white)
	3	蓝色 (blue)	pin3(蓝blue)
	4	黄色 (yellow)	pin1(棕brown)+pin2(白white)
	5	白色 (white)	pin1(棕brown)+pin2(白white)+pin3(蓝blue)

型号Model	功率Power	L(mm)	信号颜色(Signal Colors)
OLWS-346- □□	6W	346	RYG
OLWS-625- □□	12W	625	
OLWS-910- □□	18W	910	RYGBW
OLWS-1190- □□	24W	1190	



底座安装孔位(Base position size)

安装 (Installation)	螺丝位 (Screw hole position)	规格 (Specifications)	螺丝数量 (Quantity)
形式 (Form) A	Ø65	M5/M6	3
形式 (Form) B	Ø55	M4	4



OLC系列LED多功能警示灯 LED Multi-Functional Signal Light

- 高效LED多功能信号灯, 可满足各种需求, 性价比高
- 混合棱镜切割灯罩, 大大提高了远距离的可视性能
- 利用双反射镜构造用最少LED产生鲜明的彩色识别效果
- 灯体由尼龙66制成, 耐热抗冲击

- High-efficiency LED multi-function signal lamp, can meet various needs, high cost performance
- Hybrid prism cutting lampshade greatly improves the visual performance at a long distance
- The use of dual mirror construction with a minimum number of LEDs to produce a vivid color recognition effect
- The lamp body is made of Nylon66, with good thermal shock resistance

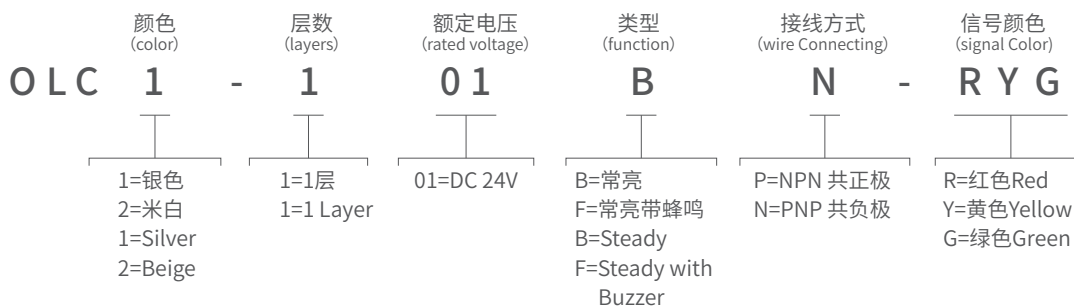
应用场所:

数控机床、组合机床、加工中心、安防设备、激光设备、流水线、安检系统及其他场所。

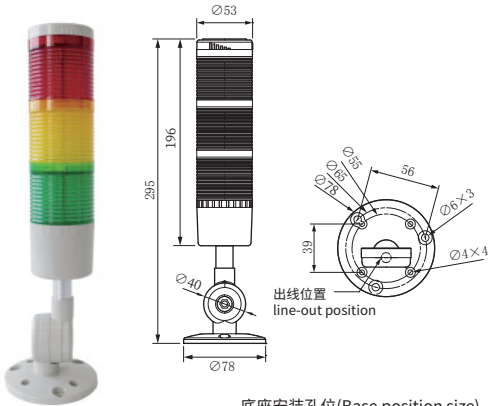
Application:

CNC machine tools, machine tool, machining center, security equipment, laser equipment, assembly line, security system and other places.

订购型号 示例 (order eg.):



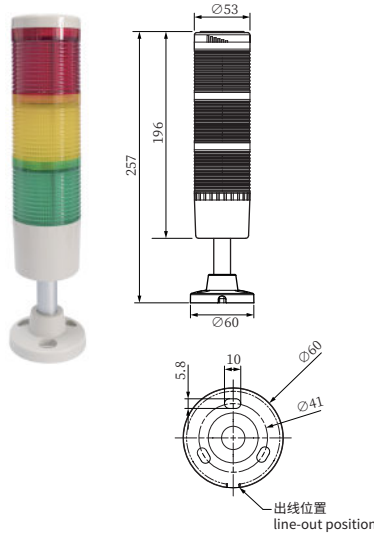
OLM1-折叠式



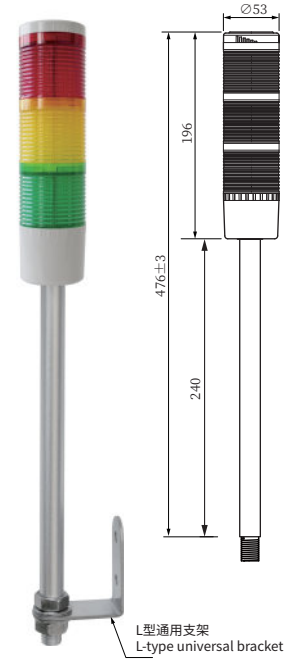
底座安装孔位(Base position size)

安装 (Installation)	螺丝位 (Screw hole position)	规格 (Specifications)	螺丝数量 (Quantity)
形式 (Form) A	Ø65	M5/M6	3
形式 (Form) B	Ø55	M4	4

OLM2-直立式



OLM3-直杆式



OLM系列LED多功能警示灯 LED Multi-Functional Signal Light

- 混合棱镜切割灯罩,提高了远距离的可视性能
- 利用双反射镜构造用最少LED产生鲜明的彩色识别效果
- 灯体由尼龙66制成,耐热抗冲击

- The hybrid prism cuts the lampshade to improve the long-distance visual performance
- Use of double mirror structure to produce vivid color recognition effect with minimal LED
- The lamp body is made of nylon 66, heat and shock resistance

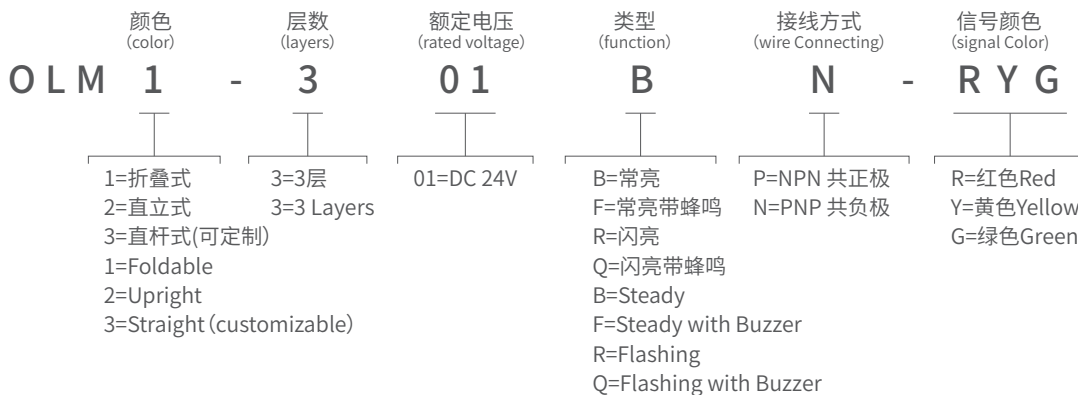
应用场所:

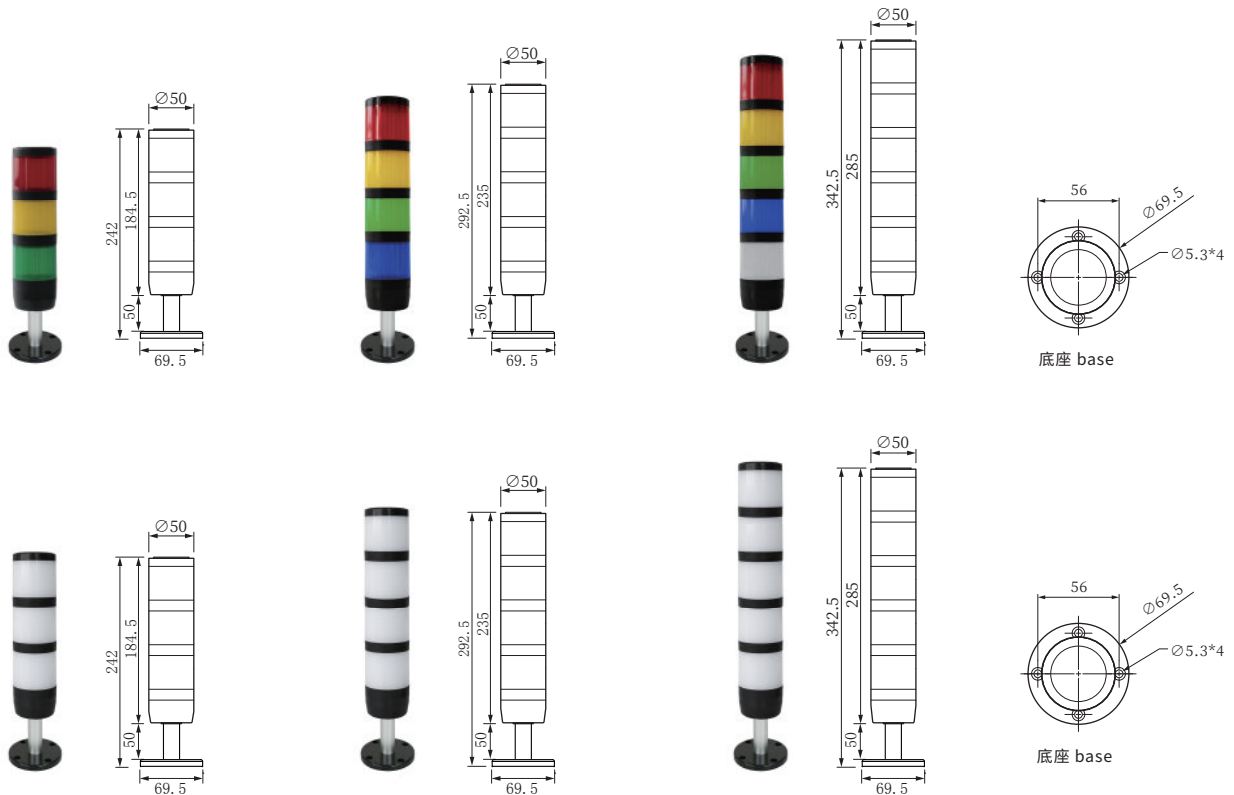
数控机床、组合机床、加工中心、安防设备、激光设备、流水线、安检系统及其他场所。

Application:

CNC machine tools, machine tool, machining center, security equipment, laser equipment, assembly line, security system and other places.

订购型号 示例 (order eg.):





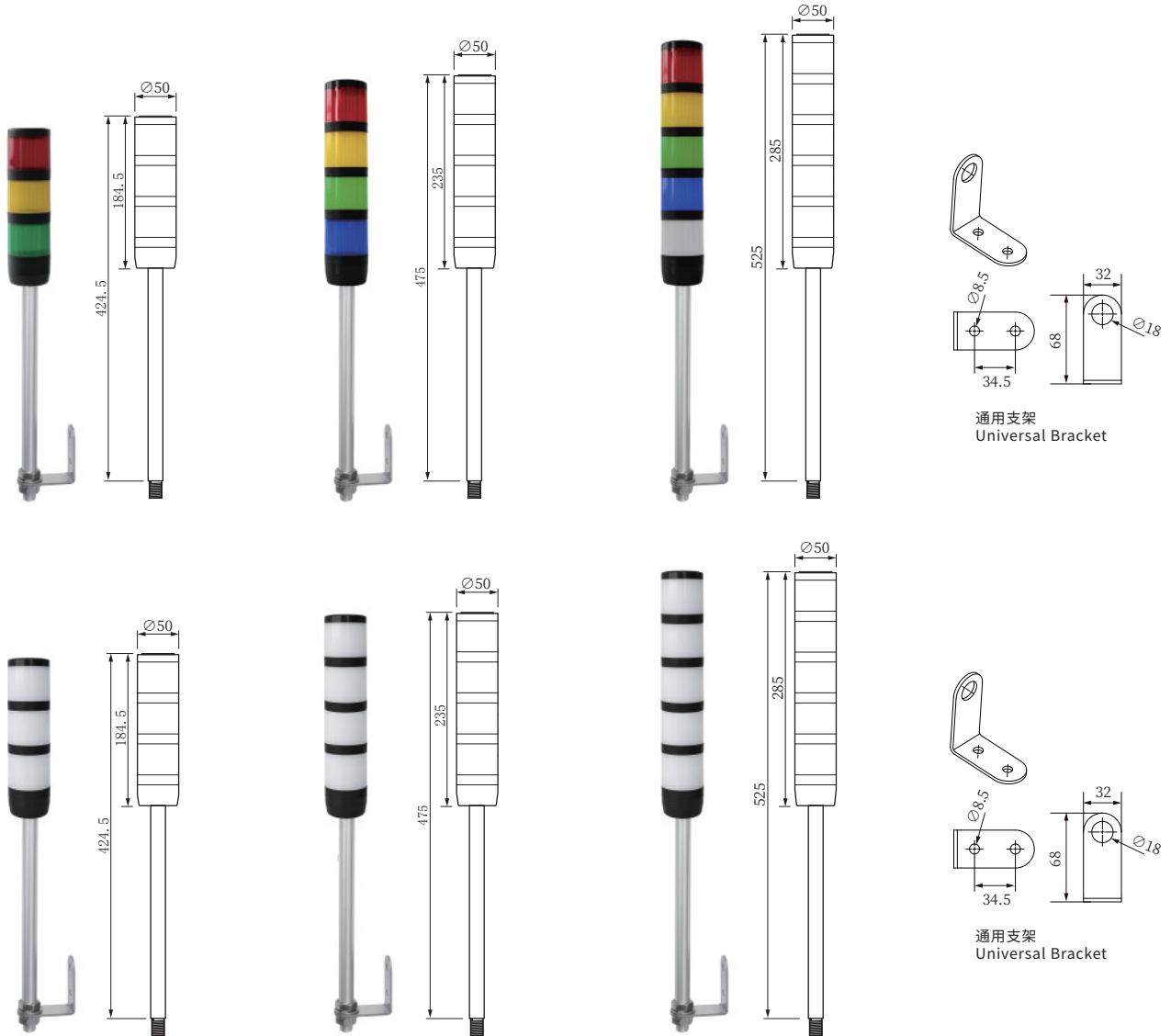
可选



OL5A系列LED多功能警示灯 LED Multi-Functional Signal Light

订购型号 示例(order eg.):

透光材质 (Light material)	层数 (layers)	额定电压 (rated voltage)	类型 (function)	接线方式 (wire Connecting)	信号颜色 (signal Color)
OL5A	1	01	B	N	RYG
5=Ø50	1=彩色PC 2=乳白PC 1=color PC 2=Milky PC	01=DC 24V	B=常亮 F=常亮带蜂鸣 R=闪亮 Q=闪亮带蜂鸣 B=Steady F=Steady with Buzzer R=Flashing Q=Flashing with Buzzer	P=NPN 共正极 N=PNP 共负极	R=红色Red Y=黄色Yellow G=绿色Green B=蓝色Blue W=白色White
	3~5层 3~5 Layers				



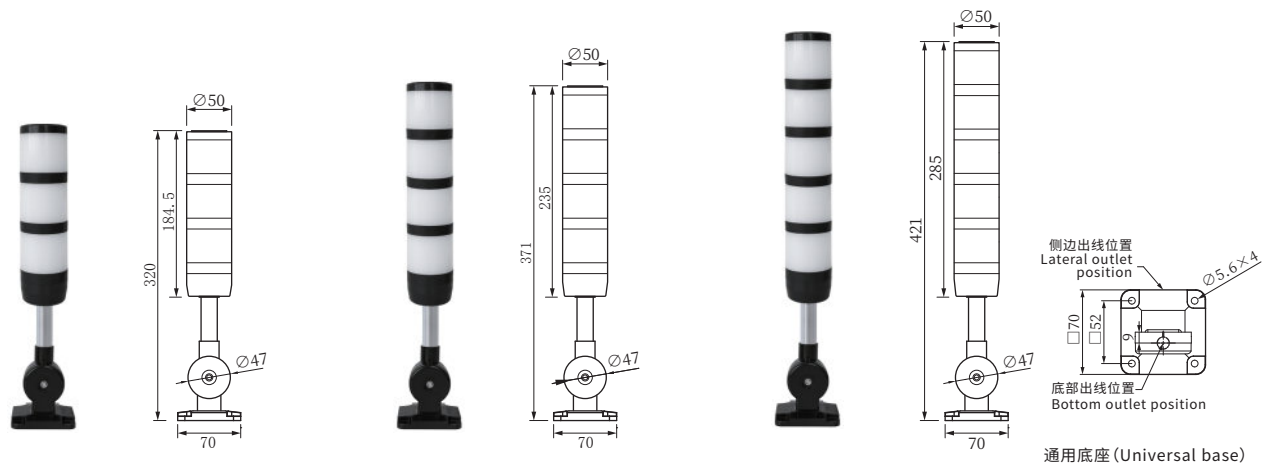
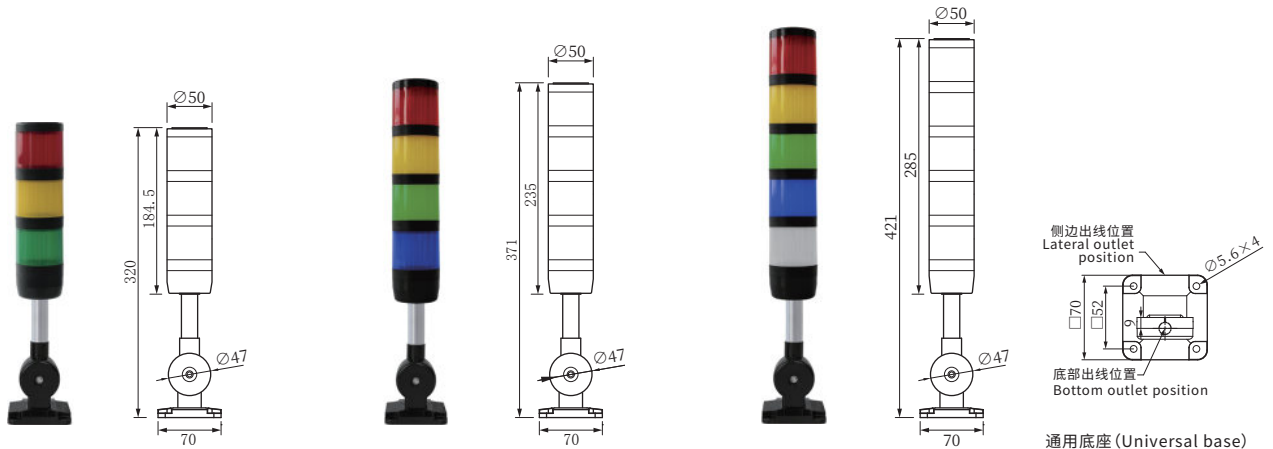
可选



OL5B系列LED多功能警示灯 LED Multi-Functional Signal Light

订购型号 示例(order eg.):

OL5B	透光材质 (Light material)	层数 (layers)	额定电压 (rated voltage)	类型 (function)	接线方式 (wire Connecting)	信号颜色 (signal Color)
5=Ø50	1=彩色PC 2=乳白PC 1=color PC 2=Milky PC	3~5层 3~5 Layers	01=DC 24V	B=常亮 F=常亮带蜂鸣 R=闪亮 Q=闪亮带蜂鸣 B=Steady F=Steady with Buzzer R=Flashing Q=Flashing with Buzzer	P=NPN 共正极 N=PNP 共负极	R=红色Red Y=黄色Yellow G=绿色Green B=蓝色Blue W=白色White

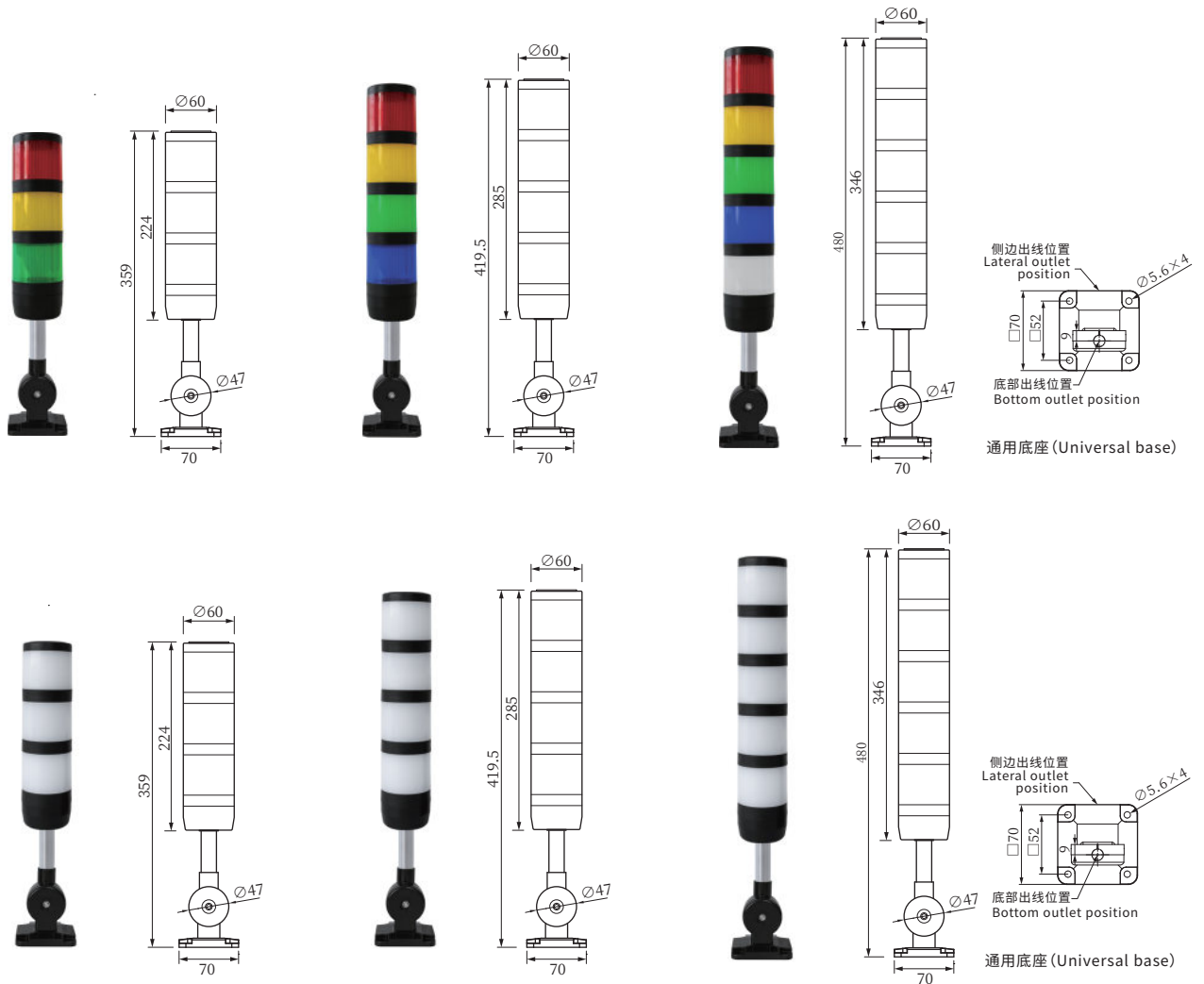


- 可选
- IP20
 - IP54
 - 24V DC
 - RYGBW
 - M12
 - 0.5m
 - +55
-25
 - 寿命 life
50000h
 - 360°

OL5C系列LED多功能警示灯 LED Multi-Functional Signal Light

订购型号 示例(order eg.):

订购型号	透光材质 (Light material)	层数 (layers)	额定电压 (rated voltage)	类型 (function)	接线方式 (wire Connecting)	信号颜色 (signal Color)
OL5C	1	3	01	B	N	RYG
5=Ø50	1=彩色PC 2=乳白PC 1=color PC 2=Milky PC	3~5层 3~5 Layers	01=DC 24V	B=常亮 F=常亮带蜂鸣 R=闪亮 Q=闪亮带蜂鸣 B=Steady F=Steady with Buzzer R=Flashing Q=Flashing with Buzzer	P=NPN 共正极 N=PNP 共负极	R=红色Red Y=黄色Yellow G=绿色Green B=蓝色Blue W=白色White



- 可选
- -
 -
 -
 -
 -
 -
 -
 -
 -

OL6C系列LED多功能警示灯 LED Multi-Functional Signal Light

订购型号 示例 (order eg.):

OL6C	透光材质 (Light material)	层数 (layers)	额定电压 (rated voltage)	类型 (function)	接线方式 (wire Connecting)	信号颜色 (signal Color)
6=Ø60	1 1=彩色PC 2=乳白PC 1=color PC 2=Milky PC	3 3~5层 3~5 Layers	01 01=DC 24V	B B=常亮 F=常亮带蜂鸣 R=闪亮 Q=闪亮带蜂鸣 B=Steady F=Steady with Buzzer R=Flashing Q=Flashing with Buzzer	N P=NPN 共正极 N=PNP 共负极	RYG R=红色Red Y=黄色Yellow G=绿色Green B=蓝色Blue W=白色White

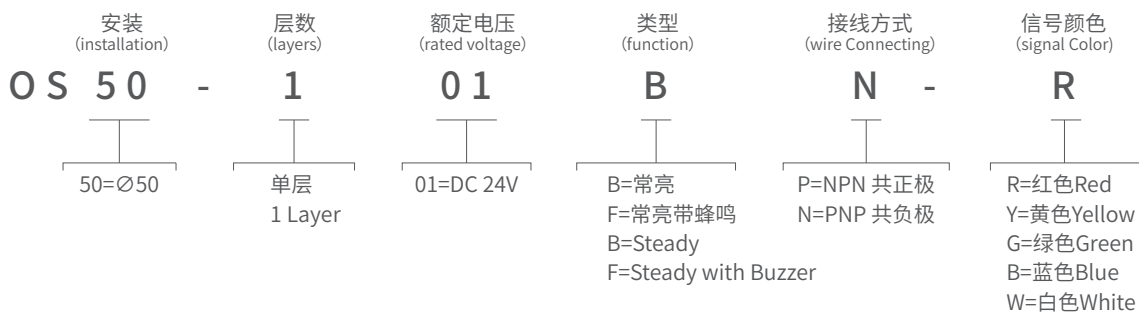


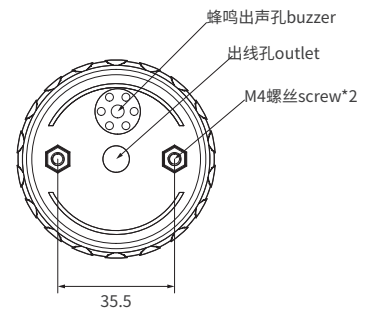
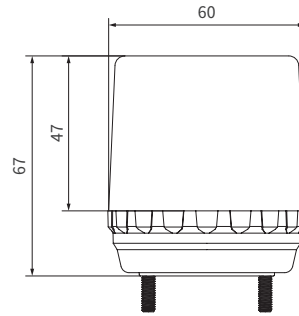
OS50系列LED多功能警示灯 LED Multi-Functional Signal Light

- 使用寿命长、超亮LED增强照明
- 低功耗可提高能效
- 高抗振性和不必要的灯泡更换使其无需维护
- 使用接线板方便接线
- 适用于小型工具机、控制面板等
- 可用颜色有红色、黄色、绿色、蓝色和白色
- 具有CE标志并符合EC指令的要求

- Enhanced Illumination with the use of long-life, super bright LEDs.
- Low power consumption increases energy efficiency
- High vibration-resistance and unnecessary bulb replacement makes it maintenance-free
- Uses a terminal block for easy wiring
- Applications are suitable for small tooling machines, control panels, etc
- Available colors are in Red, Yellow, Green, Blue, and White
- Has the CE mark and conforms to the requirements for the EC directive

订购型号 示例 (order eg.):





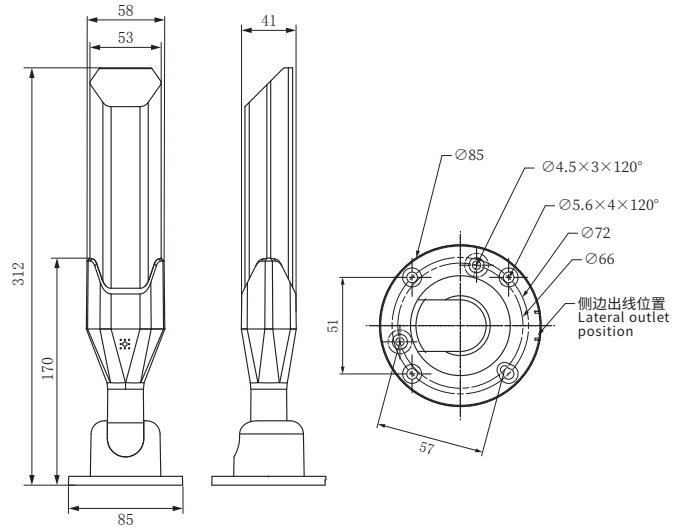
OS60系列LED多功能警示灯 LED Multi-Functional Signal Light

- 使多功能LED信号灯, 可满足各种需求, 性价比高
- 用寿命长、超亮LED增强照明, 低功耗提高能效
- 高抗振性和不必要的灯泡更换使其无需维护
- 使用接线板方便接线
- 适用于小型工具机、控制面板等
- 可用颜色有红色、黄色、绿色、蓝色和白色
- 具有CE标志并符合EC指令的要求

- Make multi-functional LED signal light, can meet a variety of needs, cost-effective
- Enhanced lighting with long-life, ultra-bright LEDs and low power consumption for energy efficiency
- High vibration resistance and unnecessary lamp replacement make it maintenance-free
- Easy wiring with terminal blocks
- Applicable to small tool machines, control panels, etc.
- Available colors are red, yellow, green, blue and white
- CE marked and meets the requirements of the EC Directive

订购型号 示例(order eg.):

安装 (installation)	层数 (layers)	额定电压 (rated voltage)	类型 (function)	接线方式 (wire Connecting)	信号颜色 (signal Color)
OS 60	1	01	B	N -	Y
60=Ø60	单层 1 Layer	01=DC 24V	B=常亮 F=常亮带蜂鸣 B=Steady F=Steady with Buzzer	P=NPN 共正极 N=PNP 共负极	R=红色Red Y=黄色Yellow G=绿色Green B=蓝色Blue W=白色White



底座安装孔位(Base position size)

安装 (Installation)	螺丝位 (Screw hole position)	规格 (Specifications)	螺丝数量 (Quantity)
形式 (Form) A	Ø72	M5	4
形式 (Form) B	Ø66	M4	3

应用场所:

数控机床、组合机床、加工中心、安防设备、激光设备、流水线、安检系统及其他。

Application:

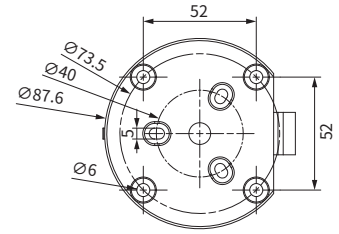
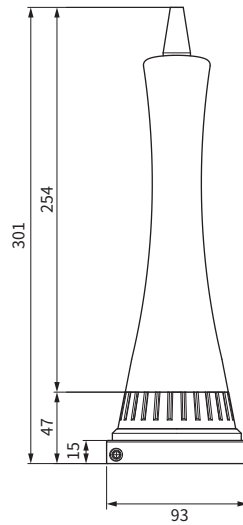
CNC machine tools, machine tool, machining center, security equipment, laser equipment, assembly line, security system and other lighting.



OLT系列LED多功能警示灯 LED Multi-Functional Signal Light

订购型号 示例 (order eg.):

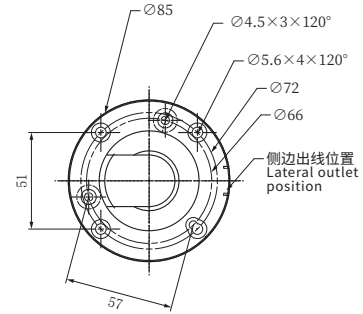
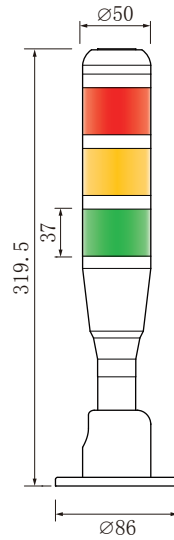
层数 (layers)	额定电压 (rated voltage)	类型 (function)	接线方式 (wire Connecting)	信号颜色 (signal Color)
OLT - 1	01	B	N	RYG
单层3色 1 layer 3 colors	01=DC 24V	B=常亮 F=常亮带蜂鸣 R=闪亮 Q=闪亮带蜂鸣 B=Steady F=Steady with Buzzer R=Flashing Q=Flashing with Buzzer	P=NPN 共正极 N=PNP 共负极	R=红色Red Y=黄色Yellow G=绿色Green



OGL系列LED多功能警示灯 LED Multi-Function Signal Light

订购型号 示例 (order eg.):

层数 (layers)	额定电压 (rated voltage)	类型 (function)	接线方式 (wire Connecting)	信号颜色 (signal Color)
OGL - 1	01	B	N -	RYG
单层三色 1 Layer 3 colors	01=DC 24V	B=常亮 F=常亮带蜂鸣 R=闪亮 Q=闪亮带蜂鸣 B=Steady F=Steady with Buzzer R=Flashing Q=Flashing with Buzzer	P=NPN 共正极 N=PNP 共负极	R=红色 Red Y=黄色 Yellow G=绿色 Green B=蓝色 Blue W=白色 White



底座安装孔位(Base position size)

安装 (Installation)	螺丝位 (Screw hole position)	规格 (Specifications)	螺丝数量 (Quantity)
形式 (Form) A	Ø72	M5	4
形式 (Form) B	Ø66	M4	3



ODB系列LED多功能警示灯 LED Multi-Functional Signal Light

- 高透光率的亚克力灯罩,防眩光
- 高品质LED芯片,低功耗,高效能,性价比高
- 安装简易,维修方便

- Acrylic lampshade with high light transmittance, anti-glare
- High-quality LED chips, low power consumption, high performance, high cost performance
- Easy to install and easy to maintain

应用场所:

数控机床、组合机床、加工中心、安防设备、激光设备、流水线、安检系统及其他场所。

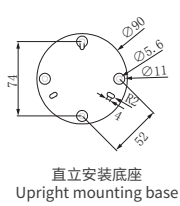
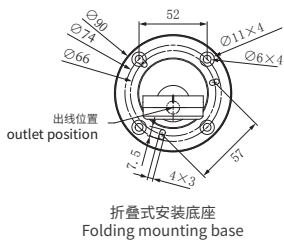
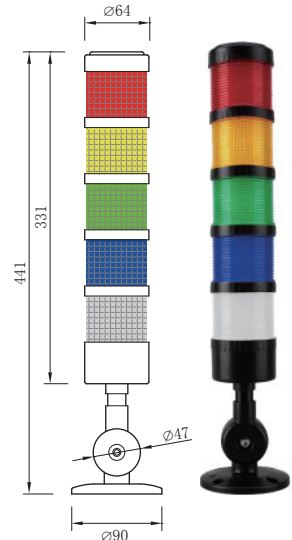
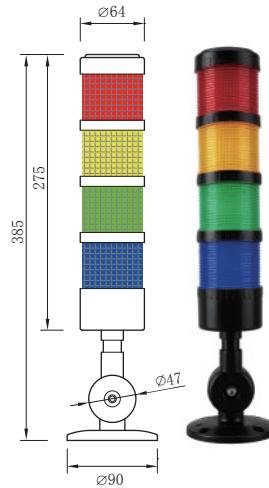
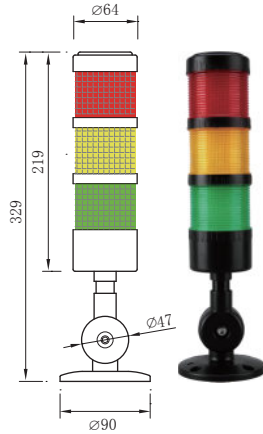
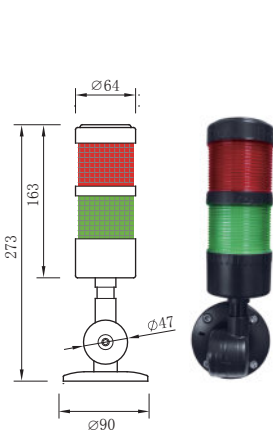
Application:

CNC machine tools, machine tool, machining center, security equipment, laser equipment, assembly line, security system and other places.

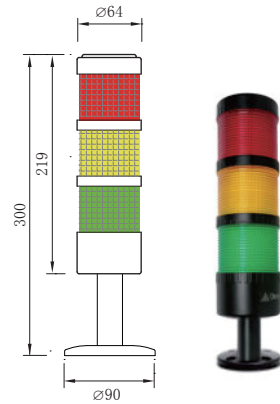
订购型号 示例 (order eg.):

O D B	-	3	-	0 1	-	B	-	N	-	R Y G
		层数 (layers)		额定电压 (rated voltage)		类型 (function)		接线方式 (wire Connecting)		信号颜色 (signal Color)
		3=3层 3=3 Layers		01=DC 24V		B=常亮 F=常亮带蜂鸣 R=闪亮 Q=闪亮带蜂鸣 B=Steady F=Steady with Buzzer R=Flashing Q=Flashing with Buzzer		P=NPN 共正极 N=PNP 共负极		R=红色Red Y=黄色Yellow G=绿色Green

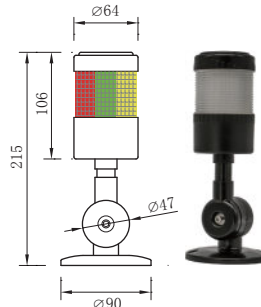
MSL1-折叠式 Foldable



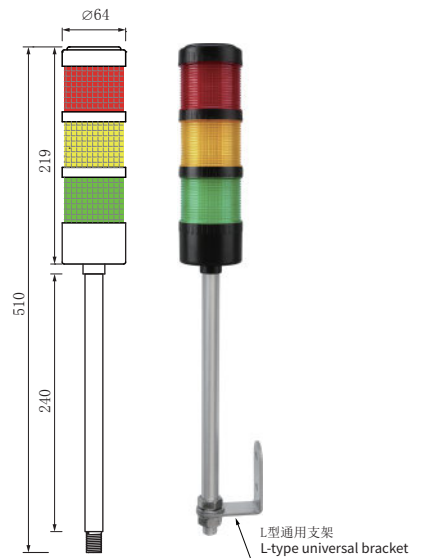
MSL2-直立式 Straight



MSL3-单层三色式 ONE layer



MSL4-直杆式 Straight



MSL系列LED多功能警示灯 LED Multi-Functional Signal Light

- 高效LED多功能信号灯, 可满足各种需求, 性价比高
- 混合棱镜切割灯罩大大提高了远距离的可视性能

- High-efficiency LED multi-function signal lamp, can meet various needs, high cost performance
- Hybrid prism cutting lampshade greatly improves the visual performance at a long distance

订购型号 示例 (order eg.):

MSL	安装 (installation)	层数 (layers)	额定电压 (rated voltage)	类型 (function)	接线方式 (wire Connecting)	信号颜色 (signal Color)
MSL	1	-	5	01	B	N - RYGBW
	1=折叠式 2=直立式 3=单层三色式 4=直杆式(可定制) 1=Foldable 2=Straight 3=ONE layer 4=Straight (customizable)	1~5层 1~5 Layers	01=DC 24V	B=常亮 F=常亮带蜂鸣 R=闪亮 Q=闪亮带蜂鸣 B=Steady F=Steady with Buzzer R=Flashing Q=Flashing with Buzzer	P=NPN 共正极 N=PNP 共负极	R=红色 Red Y=黄色 Yellow G=绿色 Green B=蓝色 Blue W=白色 White



BMSL系列LED多功能警示灯 LED Multi-Functional Signal Light

- 不需要PLC或其他控件即可进行操作
- BMSL站非常适合需要手动塔灯的项目

- No PLC or other controls required for operation
- BMSL station is very suitable for projects that require manual tower lights

订购型号 示例(orderteg.):

安装 (installation)	层数 (layers)	额定电压 (rated voltage)	类型 (function)	接线方式 (wire Connecting)	信号颜色 (signal Color)
BMSL 1	- 5	01	B	V	- RYGBW
1=长杆式 1=Long pole	3~5层 3~5 Layers	01=DC 24V	B=常亮 F=常亮带蜂鸣 R=闪亮 Q=闪亮带蜂鸣 B=Steady F=Steady with Buzzer R=Flashing Q=Flashing with Buzzer	V=100~277V/50~60Hz	R=红色Red Y=黄色Yellow G=绿色Green B=蓝色Blue W=白色White



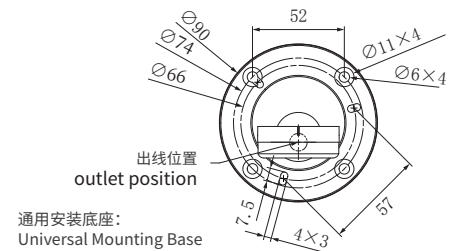
三层三色
3 layers and 3 colors



四层四色
4 layers and 4 colors



五层五色
5 layers and 5 colors



BMSL系列LED多功能警示灯 LED Multi-Functional Signal Light

- 经典外型, 品质耐用寿命长
- 不需要PLC或其他控件即可进行操作
- Classic appearance, quality, durability and long life
- No PLC or other controls required for operation

应用场所:

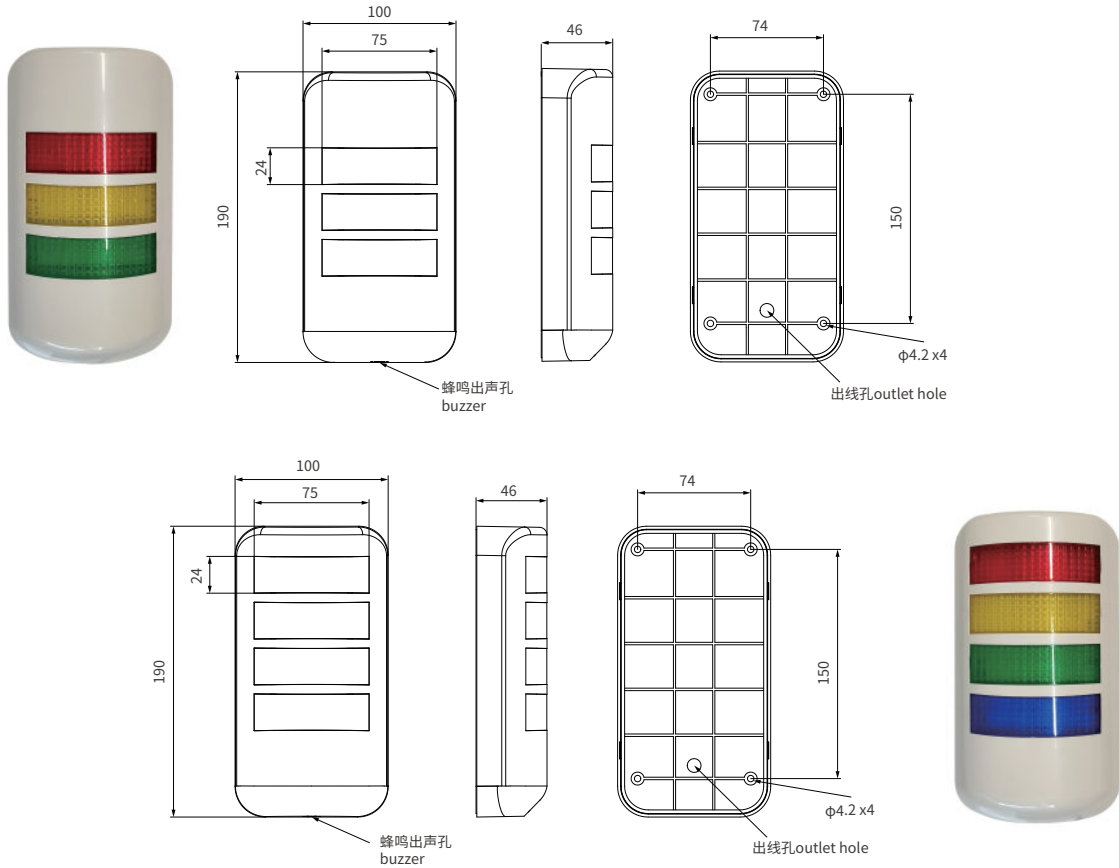
BMSL站非常适合需要手动塔灯的项目, 例如: 安防设备、流水线、安检系统及其他场所。

Application:

The BMSL stations is ideal for projects where a manual tower light is needed. For example: security equipment, assembly line, security system and other places.

订购型号 示例(order eg.):

安装 (installation)	层数 (layers)	额定电压 (rated voltage)	类型 (function)	接线方式 (wire Connecting)	信号颜色 (signal Color)
BMSL 2	- 4	01	B	V	- RYGB
2=折叠式 2=Folding	3~5层 3~5 Layers	01=DC 24V	B=常亮 F=常亮带蜂鸣 R=闪亮 Q=闪亮带蜂鸣 B=Steady F=Steady with Buzzer R=Flashing Q=Flashing with Buzzer	V=100~277V/50~60Hz	R=红色Red Y=黄色Yellow G=绿色Green B=蓝色Blue W=白色White

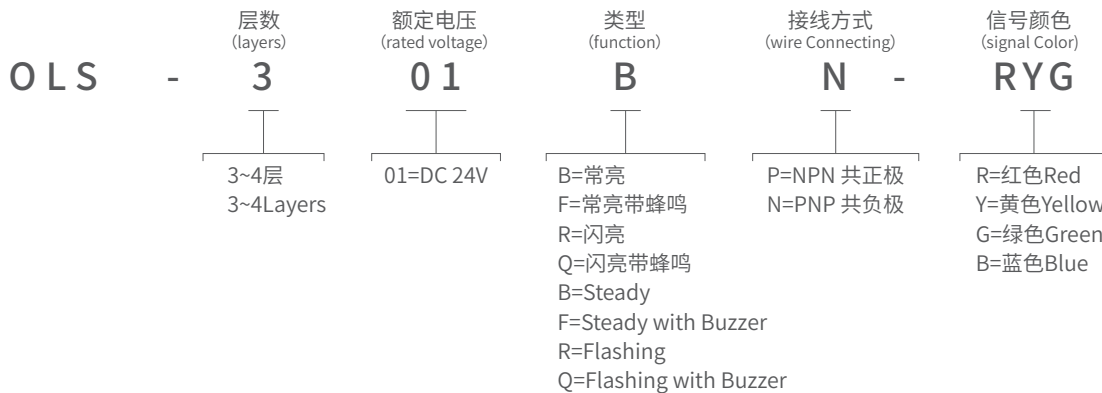


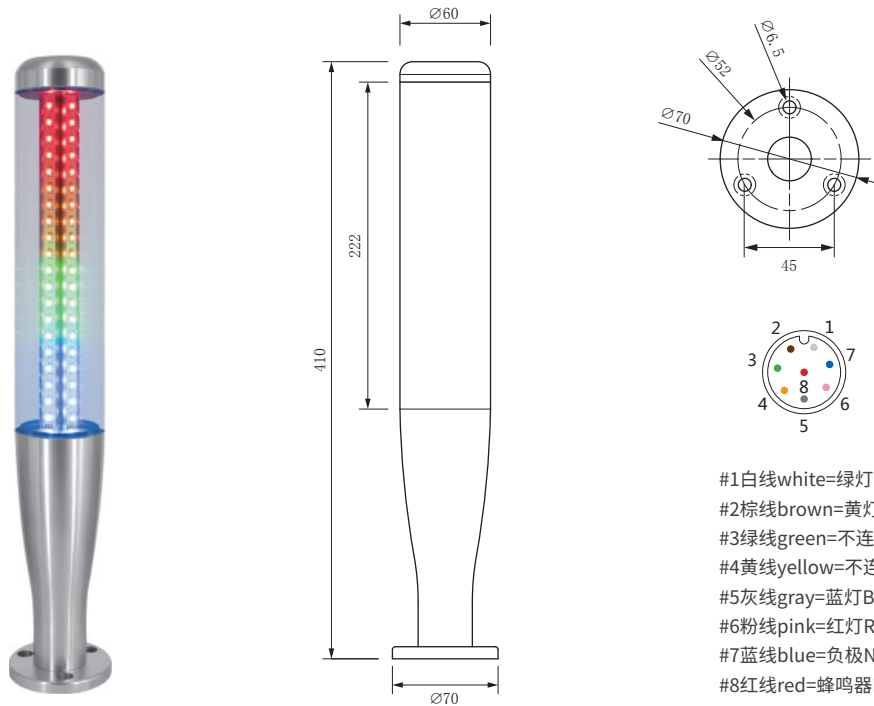
OLS系列LED多功能警示灯 LED Multi-Functional Signal Light

- 使多功能LED信号灯,可满足各种需求,性价比高
- 用寿命长、超亮LED增强照明,低功耗提高能效
- 高抗振性和不必要的灯泡更换使其无需维护
- 使用接线板方便接线
- 挂壁式安装,节省空间

- Make multi-functional LED signal light, can meet a variety of needs, cost-effective
- Enhanced lighting with long-life, ultra-bright LEDs and low power consumption for energy efficiency
- High vibration resistance and unnecessary lamp replacement make it maintenance-free
- Easy wiring with terminal blocks
- Wall mounted for space saving

订购型号 示例(order eg.):





- #1白线white=绿灯GREEN LED
- #2棕线brown=黄灯YELLOW LED
- #3绿线green=不连接not connected
- #4黄线yellow=不连接not connected
- #5灰线gray=蓝灯BLUE LED
- #6粉线pink=红灯RED LED
- #7蓝线blue=负极Negative pole
- #8红线red=蜂鸣器BUZZER



OD系列LED多功能警示灯 LED Multi-Functional Signal Light

- 识别效果清晰, 远距离可视范围
- 简约圆弧灯杯, 高品质铝耐热抗冲击
- 安装简便, 拆卸方便

- Clear recognition effect, long-distance visual range
- Simple arc lamp cup, high-quality aluminum heat and shock resistance
- Easy to install and disassemble

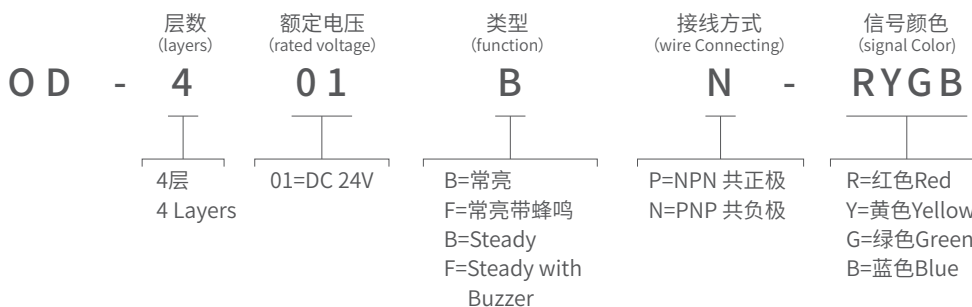
应用场所:

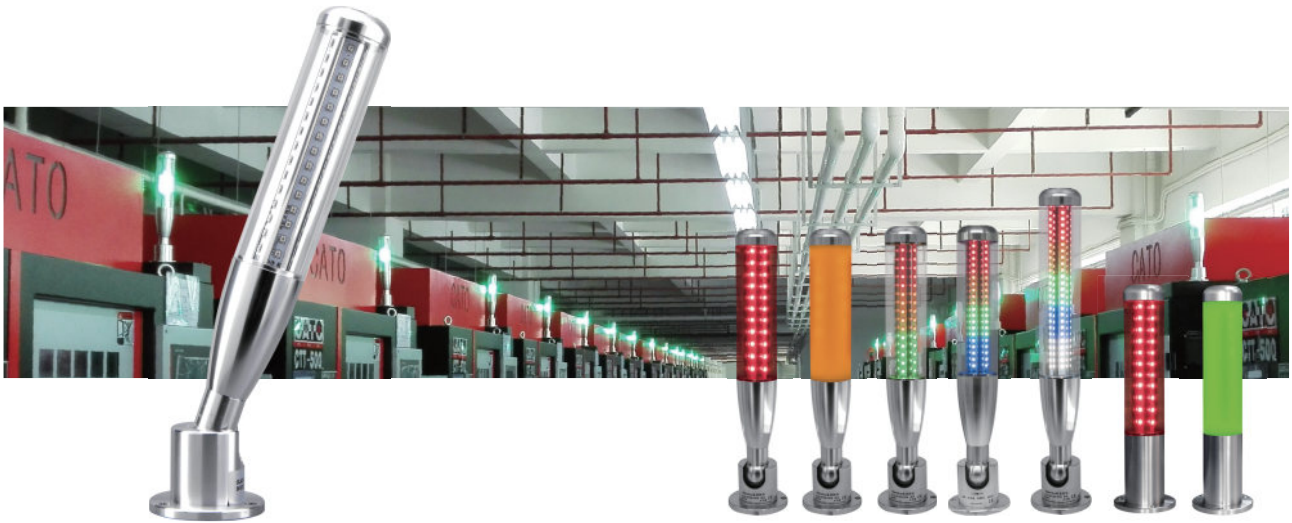
数控机床、组合机床、加工中心、安防设备、激光设备、流水线、安检系统及其他场所。

Application:

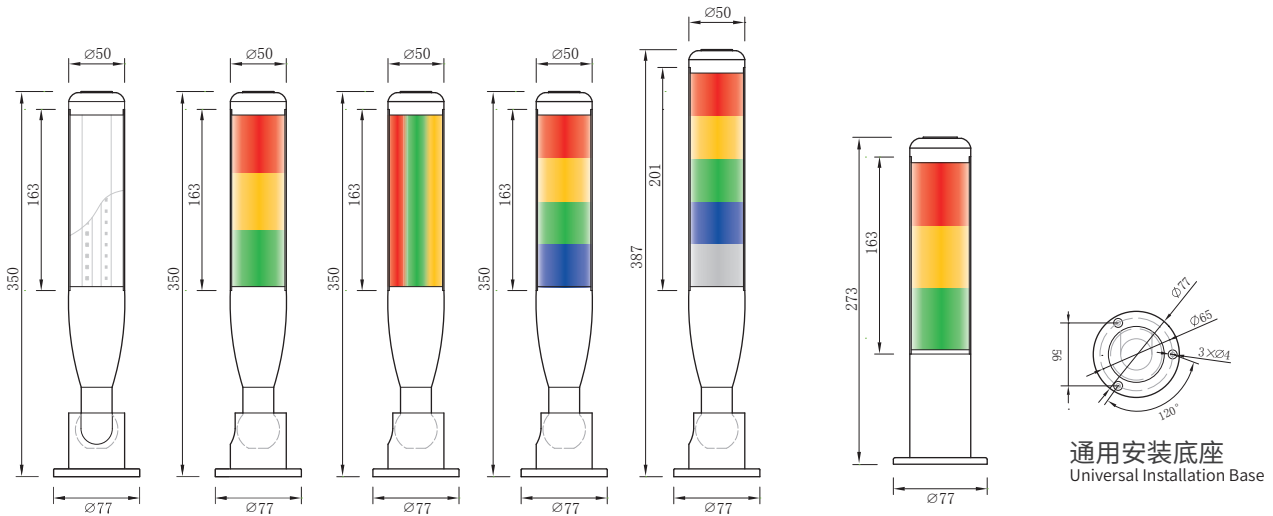
CNC machine tools, machine tool, machining center, security equipment, laser equipment, assembly line, security system and other places.

订购型号 示例(order eg.):



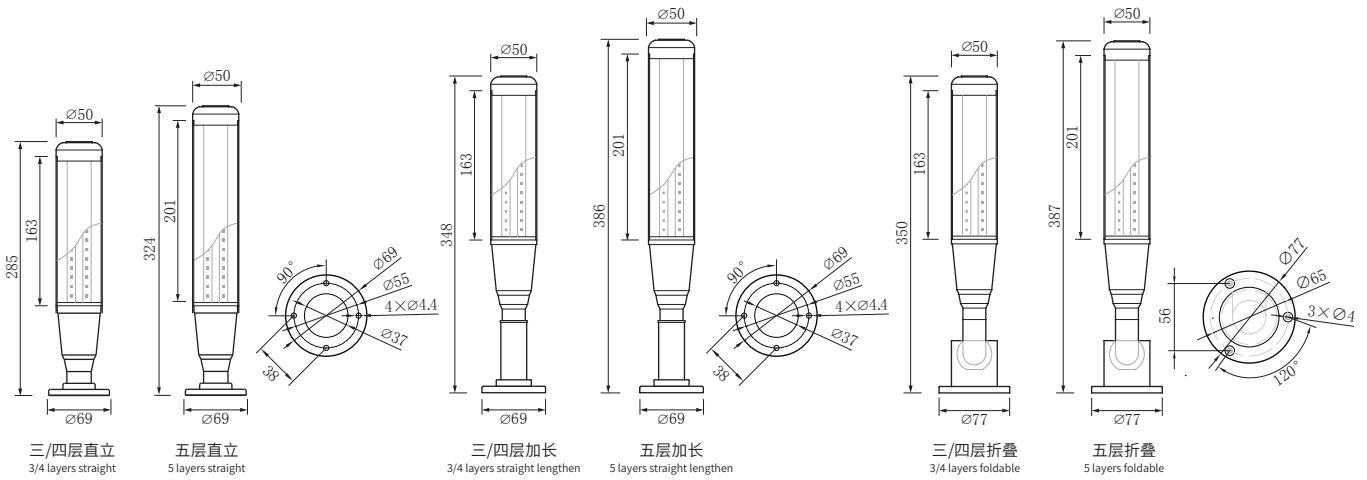


OLA系列LED多功能警示灯 LED Multi-Functional Signal Light



订购型号 示例(order eg.):

安装 (installation)	透光材质 (light material)	层数 (layers)	额定电压 (rated voltage)	类型 (function)	接线方式 (wire Connecting)	信号颜色 (signal Color)
OLA 2	1	-	5	01	B	N - RYGBW
2=折叠式 3=一体三色式 4=直立式 2=Foldable 3=ONE layer 4=Straight	1=透明亚克力 2=乳白亚克力 1=Clear acrylic 2=Milky acrylic	1~5层 1~5 Layers	01=DC 24V	B=常亮 F=常亮带蜂鸣 R=闪亮 Q=闪亮带蜂鸣 B=Steady F=Steady with Buzzer R=Flashing Q=Flashing with Buzzer	P=NPN 共正极 N=PNP 共负极	R=红色 Red Y=黄色 Yellow G=绿色 Green B=蓝色 Blue W=白色 White



OM系列LED多功能警示灯 LED Multi-Functional Signal Light

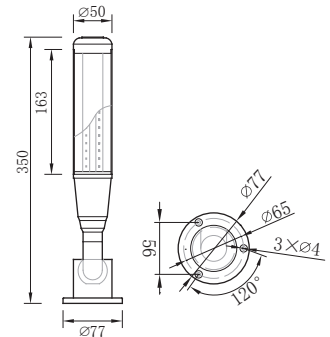
订购型号 示例 (order eg.):

OM	C	1	-	3	01	B	-	N	-	RYG
安装 (installation)		透光材质 (light material)	层数 (layers)	额定电压 (rated voltage)	类型 (function)	接线方式 (wire connecting)	信号颜色 (signal Color)			
I=直立 J=加长 C=折叠 I=Straight J=Straight lengthen C=Foldable	1=透明亚克力 1=Clear acrylic	3~5层 3~5 Layers	01=DC 24V	B=常亮 F=常亮带蜂鸣 R=闪亮 Q=闪亮带蜂鸣 B=Steady F=Steady with Buzzer R=Flashing Q=Flashing with Buzzer	P=NPN 共正极 N=PNP 共负极	R=红色 Red Y=黄色 Yellow G=绿色 Green B=蓝色 Blue W=白色 White				

OBC1



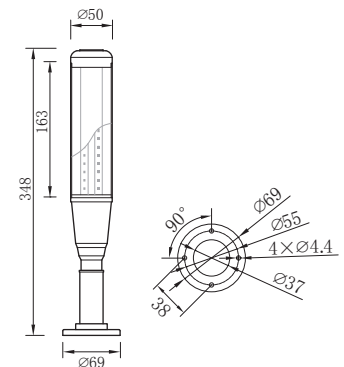
OBC2



OBJ1



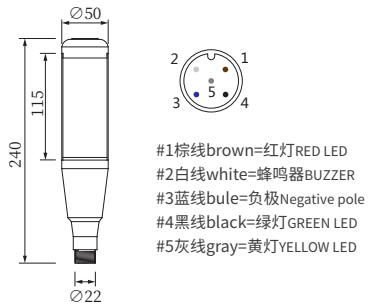
OBJ2



OBS1



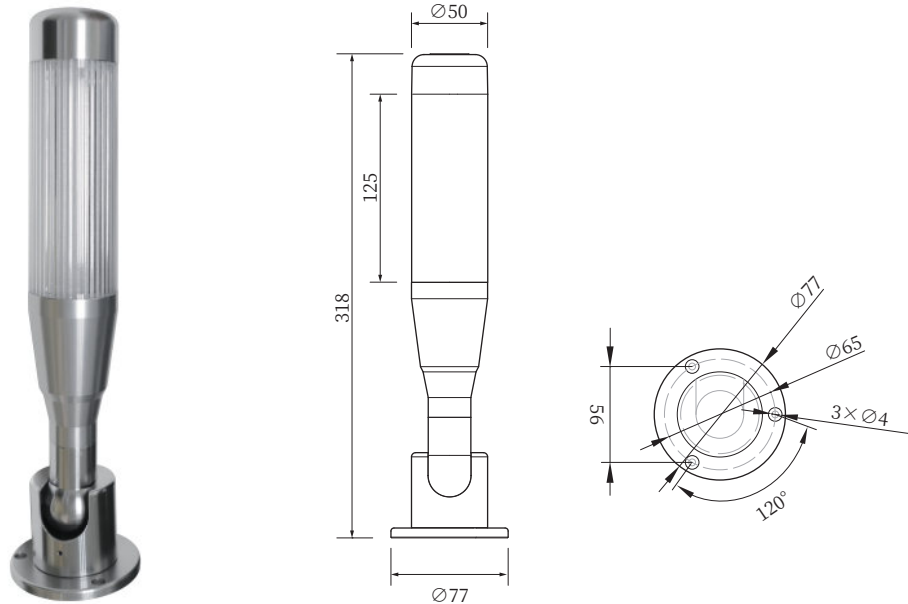
OBS2



OB系列LED多功能警示灯 LED Multi-Functional Signal Light

订购型号 示例(order eg.):

安装 (installation)	透光材质 (light material)	层数 (layers)	额定电压 (rated voltage)	类型 (function)	接线方式 (wire Connecting)	信号颜色 (signal Color)
OB C	1	1	01	B	N	RYG
C=折叠 J=加长 S=螺母紧锁式 C=Foldable J=Straight lengthen S=Nut lock	1=透明亚克力 2=乳白亚克力 1=Clear acrylic 2=Milky acrylic	单层3色 1 Layer 3 colors	01=DC 24V	B=常亮 F=常亮带蜂鸣 R=闪亮 Q=闪亮带蜂鸣 B=Steady F=Steady with Buzzer R=Flashing Q=Flashing with Buzzer	P=NPN 共正极 N=PNP 共负极	R=红色Red Y=黄色Yellow G=绿色Green



OLQ系列LED多功能警示灯 LED Multi-Functional Signal Light

- 混合棱镜切割灯罩,提高远距离的可视性
- 柔和扩散,防眩光
- 高品质LED芯片,低功耗,高效能,性价比高
- 安装简易,维修方便

- Hybrid prism cut lampshade for improved visibility at long distances
- Soft diffusion, anti-glare
- High quality LED chip, low power consumption, high performance, high cost performance
- Easy installation, easy maintenance

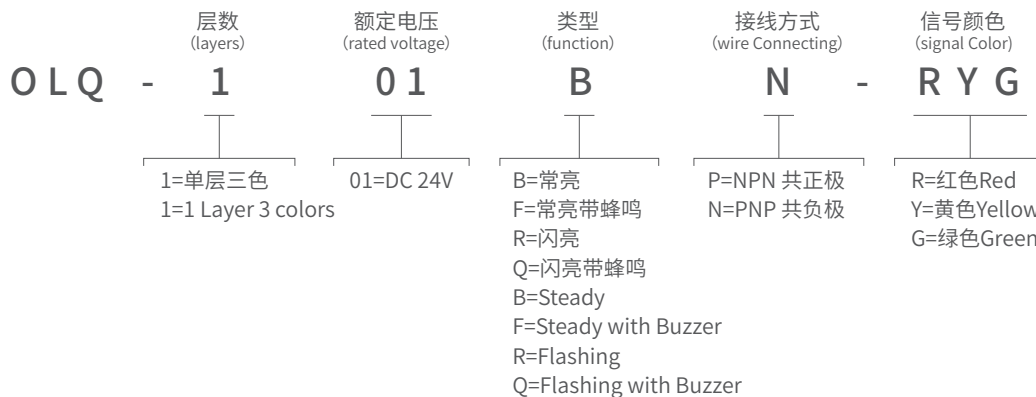
应用场所:

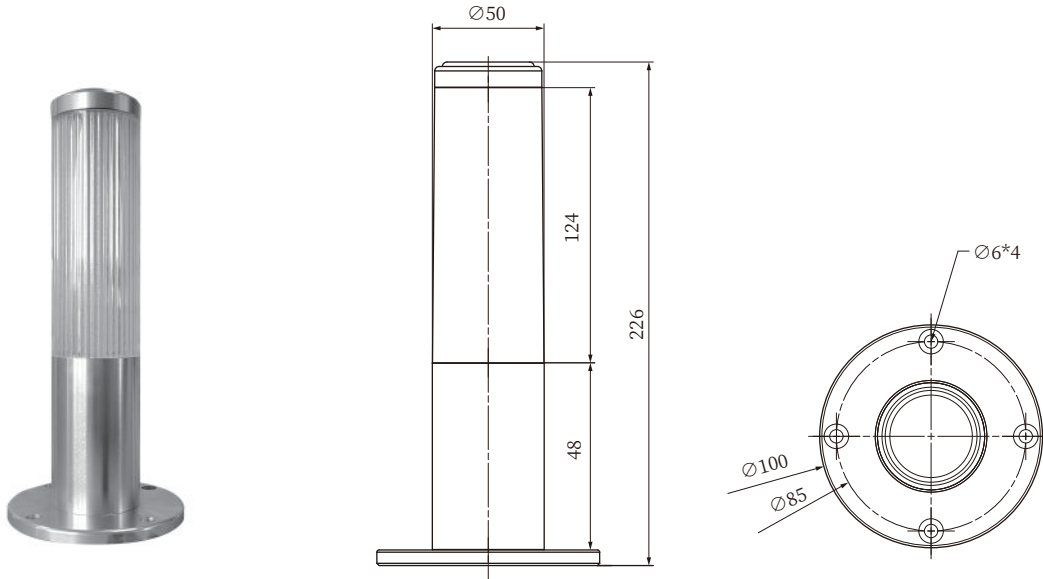
数控机床、组合机床、加工中心、安防设备、激光设备、流水线、安检系统及其他场所。

Application:

CNC machine tools, machine tool, machining center, security equipment, laser equipment, assembly line, security system and other places.

订购型号 示例(order eg.):





OLQ1系列LED多功能警示灯 LED Multi-Functional Signal Light

- 混合棱镜切割灯罩, 提高远距离的可视性
- 柔和扩散, 防眩光
- 高品质LED芯片, 低功耗, 高效能, 性价比高
- 安装简易, 维修方便

- Hybrid prism cut lampshade for improved visibility at long distances
- Soft diffusion, anti-glare
- High quality LED chip, low power consumption, high performance, high cost performance
- Easy installation, easy maintenance

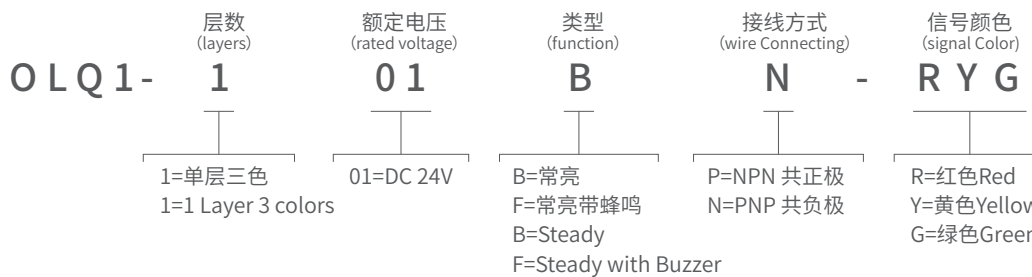
应用场所:

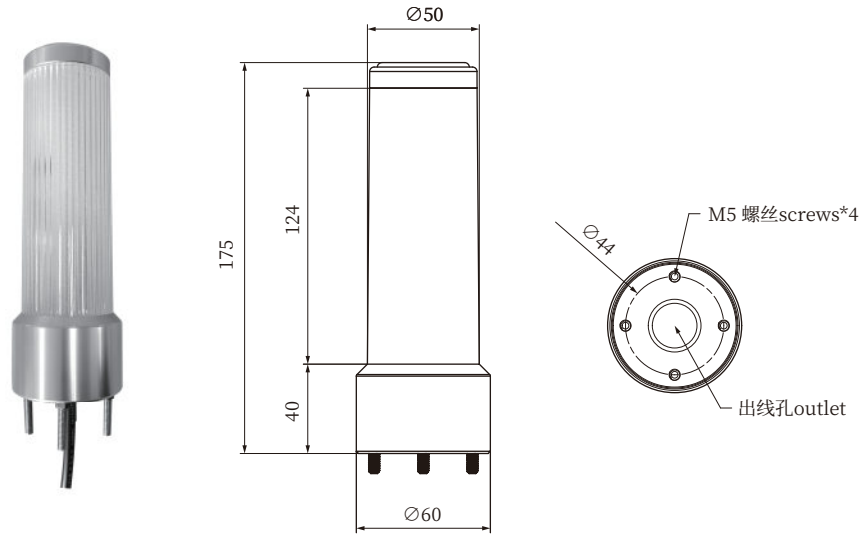
数控机床、组合机床、加工中心、安防设备、激光设备、流水线、安检系统及其他场所。

Application:

CNC machine tools, machine tool, machining center, security equipment, laser equipment, assembly line, security system and other places.

订购型号 示例 (order eg.):





OLQ2系列LED多功能警示灯 LED Multi-Functional Signal Light

- 混合棱镜切割灯罩,提高远距离的可视性
- 柔和扩散,防眩光
- 高品质LED芯片,低功耗,高效能,性价比高
- 安装简易,维修方便

- Hybrid prism cut lampshade for improved visibility at long distances
- Soft diffusion, anti-glare
- High quality LED chip, low power consumption, high performance, high cost performance
- Easy installation, easy maintenance

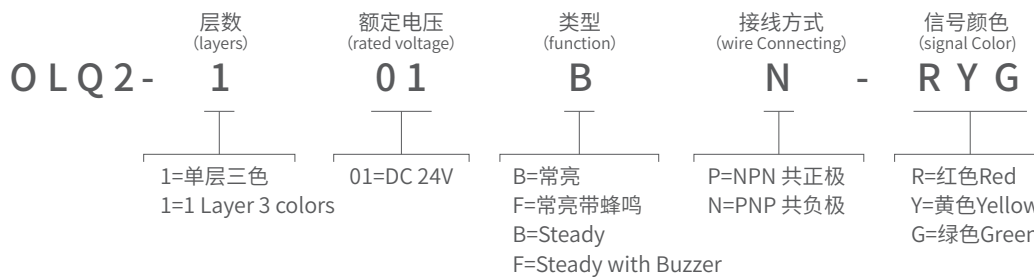
应用场所:

数控机床、组合机床、加工中心、安防设备、激光设备、流水线、安检系统及其他场所。

Application:

CNC machine tools, machine tool, machining center, security equipment, laser equipment, assembly line, security system and other places.

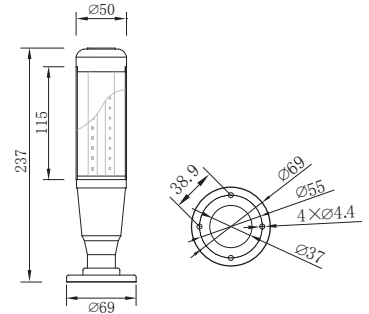
订购型号 示例 (order eg.):



OS11



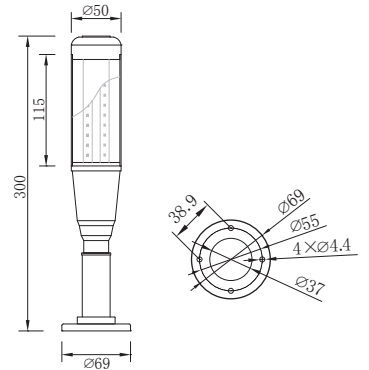
OS12



OSJ1



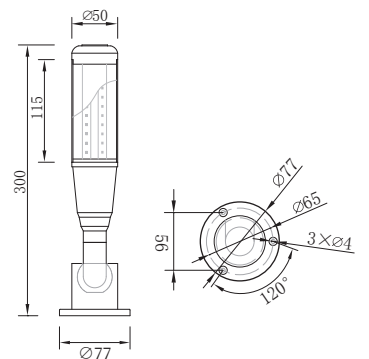
OSJ2



OSC1



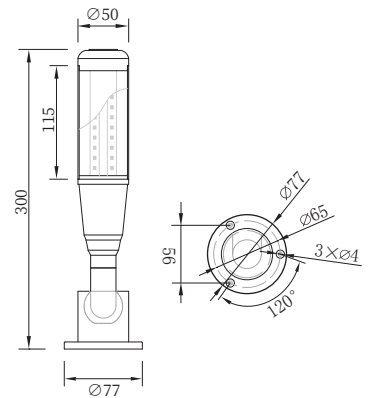
OSC2



OS系列LED多功能警示灯 LED Multi-Functional Signal Light

订购型号 示例(order eg.):

安装 (installation)	透光材质 (light material)	层数 (layers)	额定电压 (rated voltage)	类型 (function)	接线方式 (wire Connecting)	信号颜色 (signal Color)
OSJ	1	1	01	B	N	RYG
I=直立 J=加长 C=折叠 I=Straight J=Straight lengthen C=Foldable	1=透明亚克力 2=乳白亚克力 1=Clear acrylic 2=Milky acrylic	单层3色 1 Layer 3 colors	01=DC 24V	B=常亮 F=常亮带蜂鸣 R=闪亮 Q=闪亮带蜂鸣 B=Steady F=Steady with Buzzer R=Flashing Q=Flashing with Buzzer	P=NPN 共正极 N=PNP 共负极	R=红色Red Y=黄色Yellow G=绿色Green



OSC七色灯系列LED多功能警示灯 LED Multi-Functional Signal Light

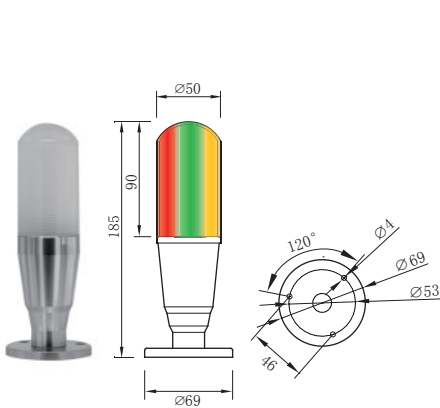
订购型号 示例(order eg.):

安装 (installation)	透光材质 (light material)	层数 (layers)	额定电压 (rated voltage)	类型 (function)	接线方式 (wire Connecting)	信号颜色 (Signal Color)
OSC	1	1	01	B	N	7 colors
I=直立 J=加长 C=折叠 I=Straight J=Straight lengthen C=Foldable	1=透明亚克力 2=乳白亚克力 1=Clear acrylic 2=Milky acrylic	单层7色 1 Layer 7 colors	01=DC 24V	B=常亮 F=常亮带蜂鸣 R=闪亮 Q=闪亮带蜂鸣 B=Steady F=Steady with Buzzer R=Flashing Q=Flashing with Buzzer	P=NPN 共正极 N=PNP 共负极	R=红色Red Y=黄色Yellow G=绿色Green B=蓝色Blue C=青色Cyan P=紫色Purple W=白色White

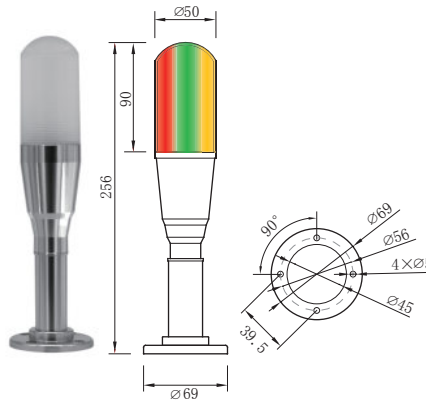
接线 (Wiring)	序号 (Num)	光色 (Signal Colors)	接线 (Wiring)
	1	红色 (red)	红线 (red line)
	2	绿色 (green)	绿线 (green line)
	3	蓝色 (blue)	蓝线 (blue line)
	4	黄色 (yellow)	红线+绿线 (red line+green line)
	5	青色 (cyan)	绿线+蓝线 (green line+blue line)
	6	紫色 (purple)	红线+蓝线 (red line+blue line)
	7	白色 (white)	红线+绿线+蓝线 (red line+green line+blue line)
	8	蜂鸣器 (buzzer)	棕线 (brown line)

M12	序号 (Num)	光色 (Signal Colors)	接线 (Wiring)
	1	红色 (red)	pin1(棕) (pin1(brown))
	2	绿色 (green)	pin2(白) (pin2(white))
	3	蓝色 (blue)	pin3(蓝) (pin3(blue))
	4	黄色 (yellow)	pin1(棕)+pin2(白) (pin1(brown)+pin2(white))
	5	青色 (cyan)	pin2(白)+pin3(蓝) (pin2(white)+pin3(blue))
	6	紫色 (purple)	pin1(棕)+pin3(蓝) (pin1(brown)+pin3(blue))
	7	白色 (white)	pin1(棕)+pin2(白)+pin3(蓝) (pin1(brown)+pin2(white)+pin3(blue))
	8	蜂鸣器 (buzzer)	pin5(灰) (pin5(gray))

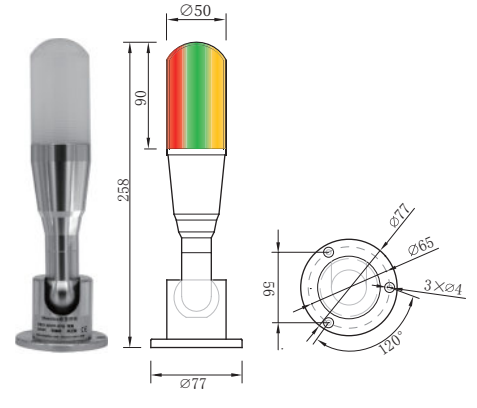
OPI1



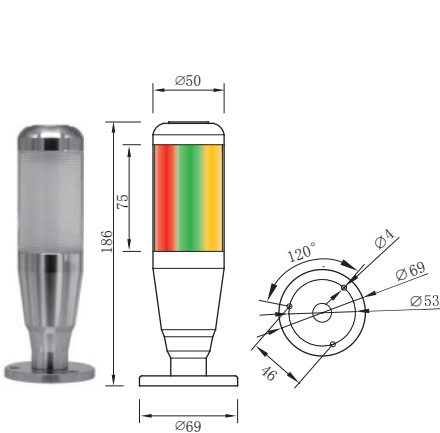
OPJ1



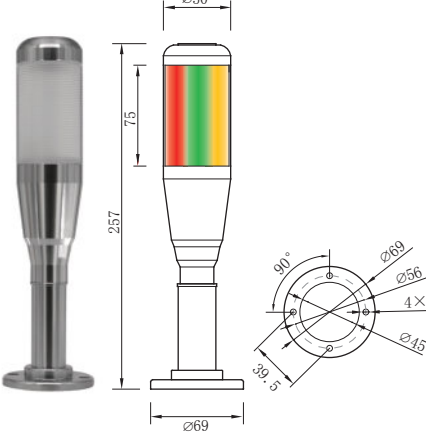
OPC1



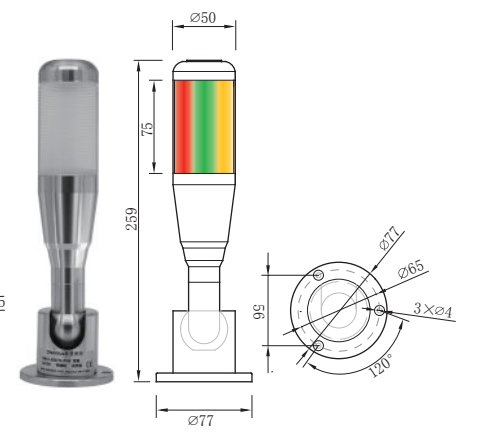
OPI2



OPJ2



OPC2

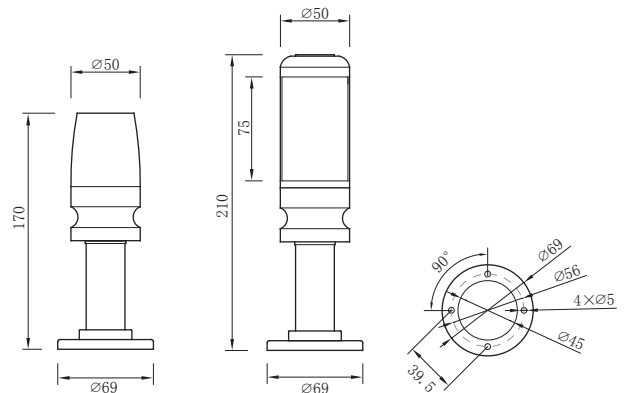


OP系列LED多功能警示灯 LED Multi-Functional Signal Light

订购型号 示例(order eg.):

安装 (installation)	透光材质 (light material)	层数 (layers)	额定电压 (rated voltage)	类型 (function)	接线方式 (wire Connecting)	信号颜色 (signal Color)
OP I	1	- 1	01	B	N -	RYG
I=直立 J=加长 C=折叠 I=Straight J=Straight lengthen C=Foldable	1=水晶圆顶 2=水晶通体 1=Dome crystal 2=Tubular crystal	单层3色 1 Layer 3 colors	01=DC 24V	B=常亮 F=常亮带蜂鸣 R=闪亮 Q=闪亮带蜂鸣 B=Steady F=Steady with Buzzer R=Flashing Q=Flashing with Buzzer	P=NPN 共正极 N=PNP 共负极	R=红色Red Y=黄色Yellow G=绿色Green

OH11



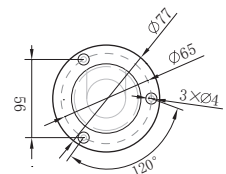
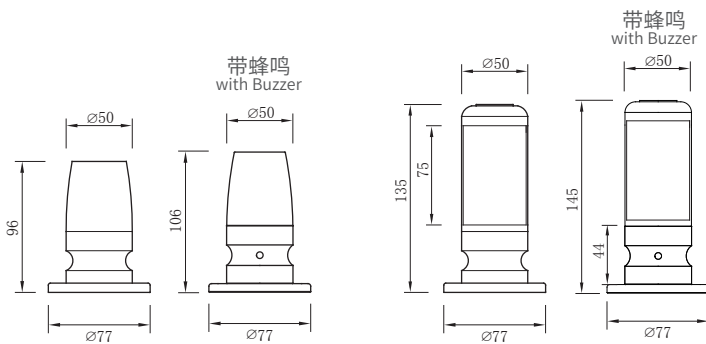
OH12



OH01



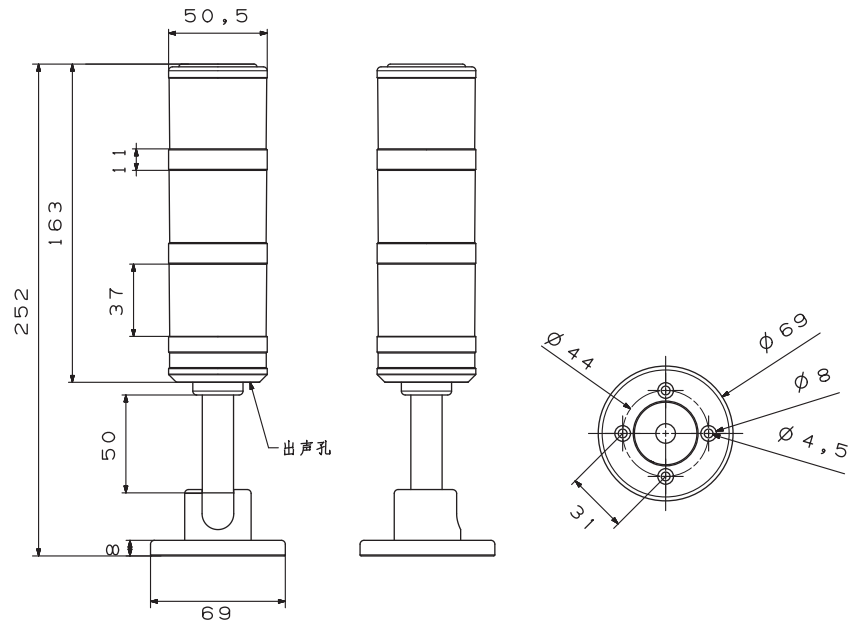
OH02



OH系列LED多功能警示灯 LED Multi-Functional Signal Light

订购型号 示例(order eg.):

安装 (installation)	透光材质 (light material)	层数 (layers)	额定电压 (rated voltage)	类型 (function)	接线方式 (wire Connecting)	信号颜色 (signal Color)
O H I	1	- 1	01	B	N	- RYG
I=直立长杆 O=无杆 I=Upright pole O=Rodless	1=水晶平顶 2=水晶通体 1=Crystal flat top 2=Tubular crystal	单层3色 1 Layer 3 colors	01=DC 24V	B=常亮 F=常亮带蜂鸣 R=闪亮 Q=闪亮带蜂鸣 B=Steady F=Steady with Buzzer R=Flashing Q=Flashing with Buzzer	P=NPN 共正极 N=PNP 共负极	R=红色Red Y=黄色Yellow G=绿色Green



OSLC系列LED多功能警示灯 LED Multi-Functional Signal Light

- 混合棱镜切割灯罩,提高了远距离的可视性能
- 利用双反射镜构造用最小的LED产生鲜明的彩色识别效果
- 灯体优质铝制成,耐热抗冲击

- The hybrid prism cuts the lampshade to improve the long-distance visual performance
- Use of double mirror structure to produce vivid color recognition effect with minimal LED
- The lamp body is made of high-quality aluminum, heat-resistant and impact resistant

应用场所:

数控机床、组合机床、加工中心、安防设备、激光设备、流水线、安检系统及其他场所。

Application:

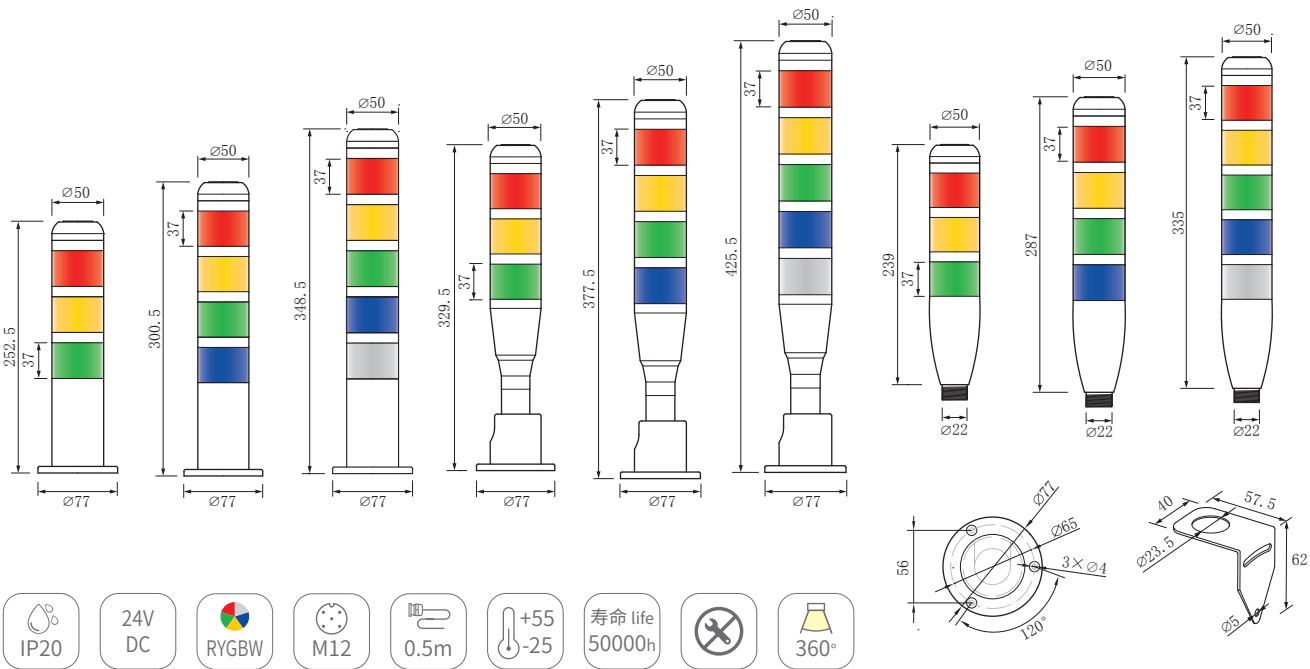
CNC machine tools, machine tool, machining center, security equipment, laser equipment, assembly line, security system and other places.

订购型号 示例 (order eg.):

安装 (installation)	透光材质 (light material)	层数 (layers)	额定电压 (rated voltage)	类型 (function)	接线方式 (wire Connecting)	信号颜色 (signal Color)
OSL C	3	- 3	01	F	P -	RYG
C=折叠 C=Foldable	3=彩色PC 3=Color PC	3层 3Layers	01=DC 24V	B=常亮 F=常亮带蜂鸣 R=闪亮 Q=闪亮带蜂鸣 B=Steady F=Steady with Buzzer R=Flashing Q=Flashing with Buzzer	P=NPN 共正极 N=PNP 共负极	R=红色Red Y=黄色Yellow G=绿色Green



安装支架
Mounting brackets

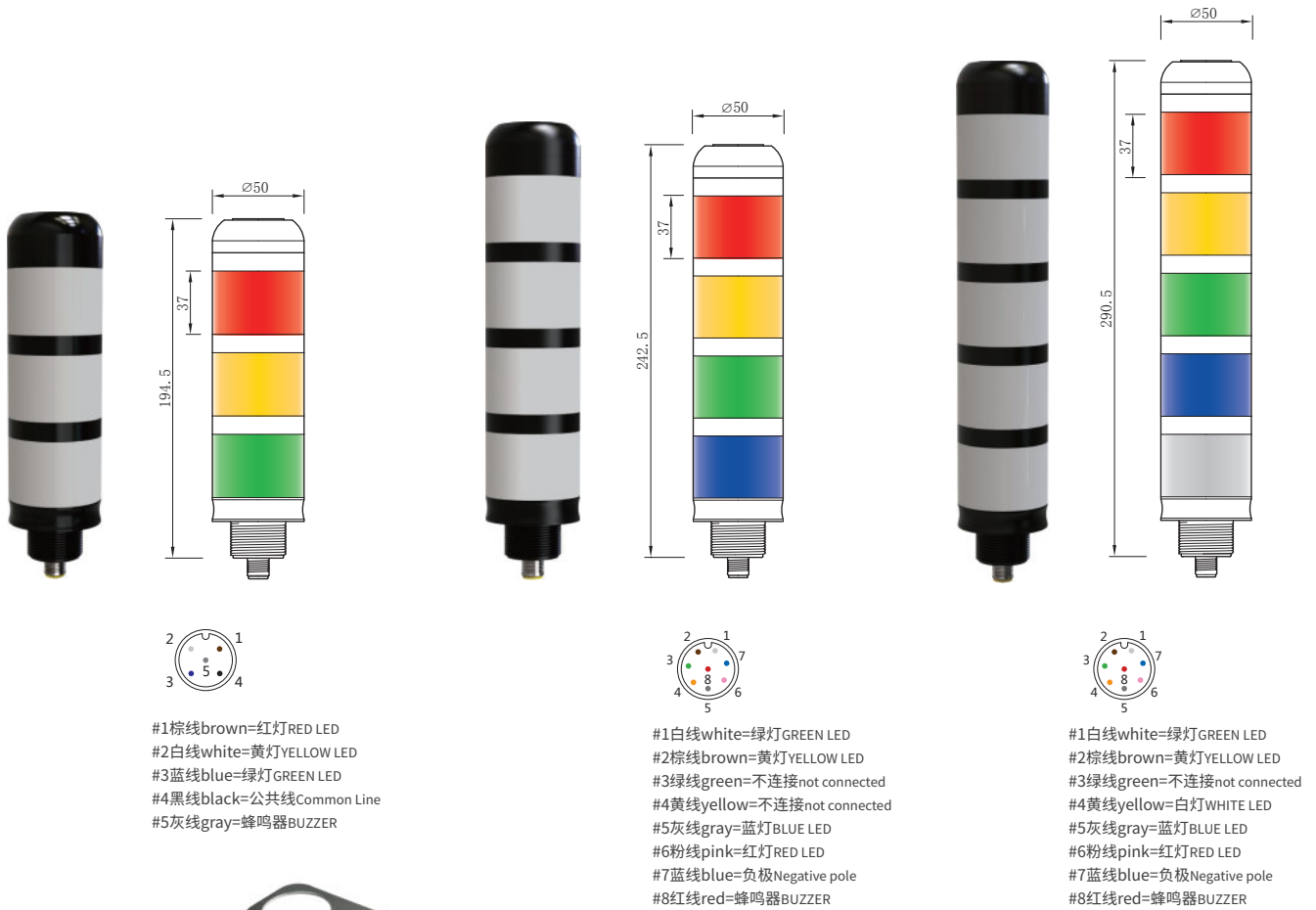


-
-
-
-
-
-
-
-
-

OLE系列LED多功能警示灯 LED Multi-Functional Signal Light

订购型号 示例(order eg.):

安装 (installation)	层数 (layers)	额定电压 (rated voltage)	类型 (function)	接线方式 (wire Connecting)	信号颜色 (signal Color)
OLE 2 - 3	01	B	N - RYG		
1=直立 2=折叠 3=螺母紧锁式 1=Straight 2=Foldable 3=Nut lock	3~5层 3~5 Layers	01=DC 24V	B=常亮 F=常亮带蜂鸣 R=闪亮 Q=闪亮带蜂鸣 B=Steady F=Steady with Buzzer R=Flashing Q=Flashing with Buzzer	P=NPN 共正极 N=PNP 共负极	R=红色Red Y=黄色Yellow G=绿色Green B=蓝色Blue W=白色White



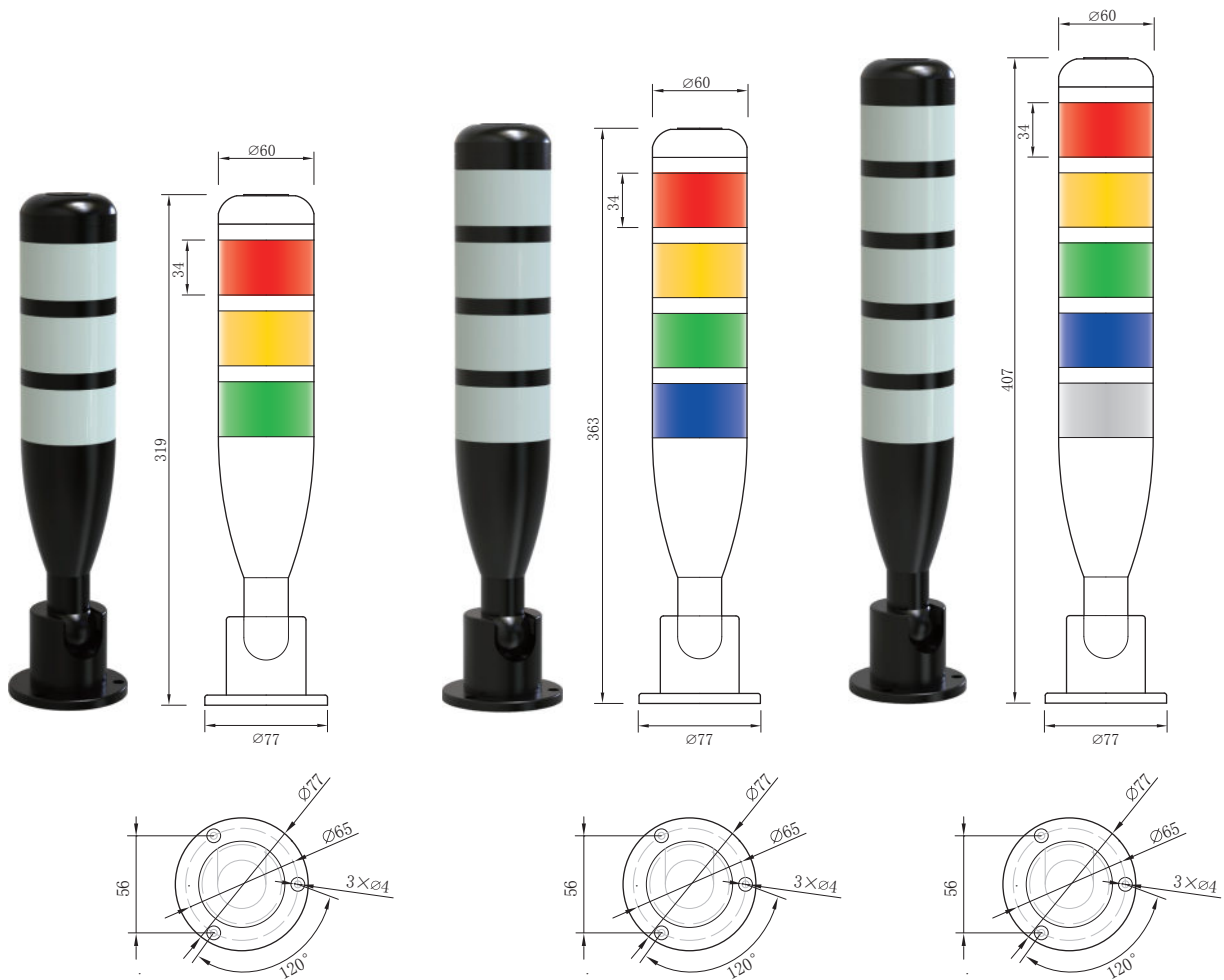
通用支架配件
Universal bracket accessories



OLD系列LED多功能警示灯 LED Multi-Functional Signal Light

订购型号 示例(order eg.):

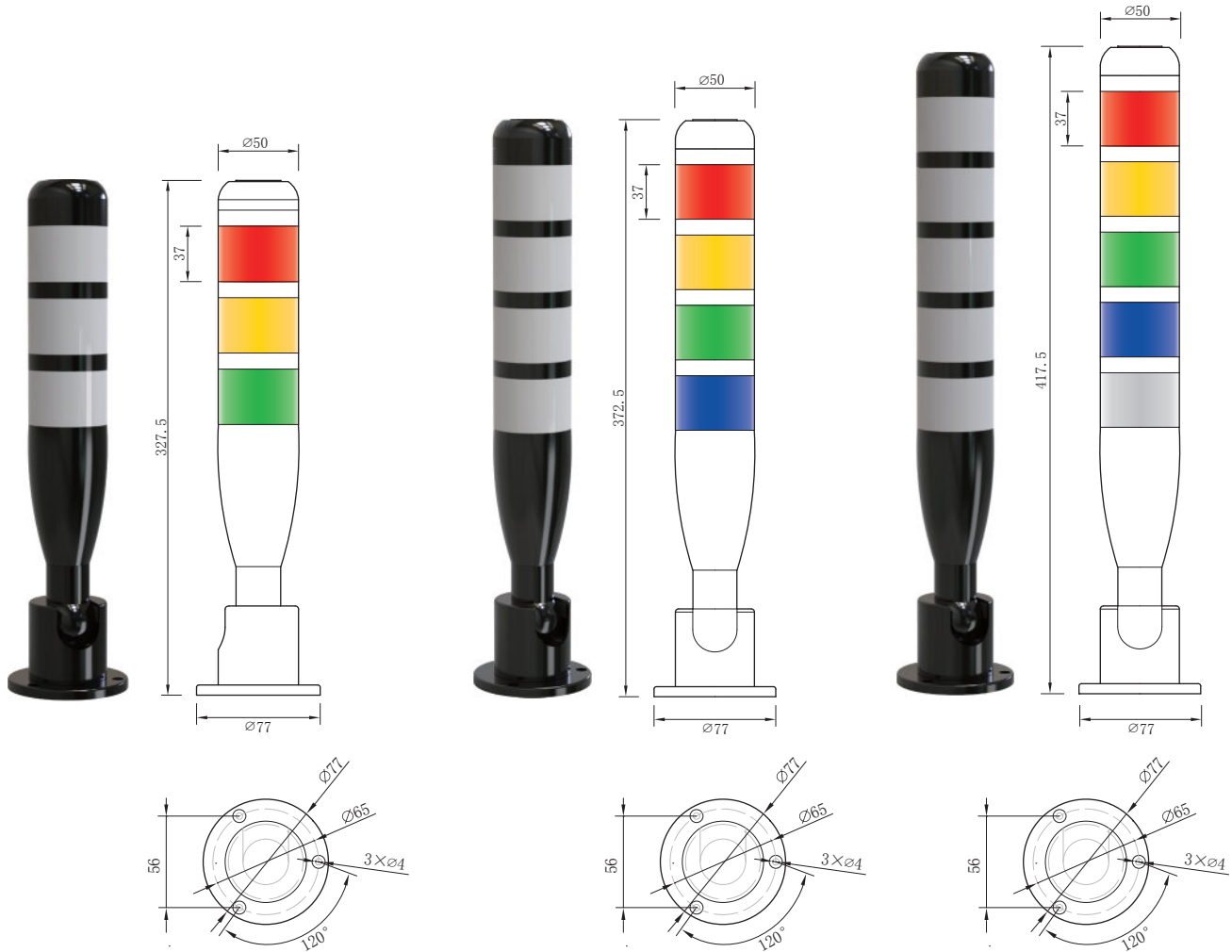
层数 (layers)	额定电压 (rated voltage)	类型 (function)	接线方式 (wire Connecting)	信号颜色 (signal Color)
OLD - 4	01	B	N -	RYGB
3=3层3色 4=4层4色 5=5层5色 3=3 Layers 3 colors 4=4 Layers 4 colors 5=5 Layers 5 colors	01=DC 24V	B=常亮 F=常亮带蜂鸣 R=闪亮 Q=闪亮带蜂鸣 B=Steady F=Steady with Buzzer R=Flashing Q=Flashing with Buzzer	P=NPN 共正极 N=PNP 共负极	R=红色Red Y=黄色Yellow G=绿色Green B=蓝色Blue W=白色White



OL6E系列LED多功能警示灯 LED Multi-Functional Signal Light

订购型号 示例(order eg.):

层数 (layers)	额定电压 (rated voltage)	类型 (function)	接线方式 (wire Connecting)	信号颜色 (signal Color)
OL6E - 3	01	B	N	- RYG
3=3层3色 4=4层4色 5=5层5色 3=3 Layers 3 colors 4=4 Layers 4 colors 5=5 Layers 5 colors	01=DC 24V	B=常亮 F=常亮带蜂鸣 R=闪亮 Q=闪亮带蜂鸣 B=Steady F=Steady with Buzzer R=Flashing Q=Flashing with Buzzer	P=NPN 共正极 N=PNP 共负极	R=红色Red Y=黄色Yellow G=绿色Green B=蓝色Blue W=白色White



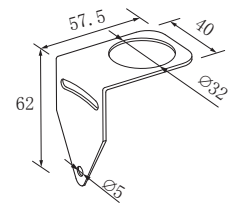
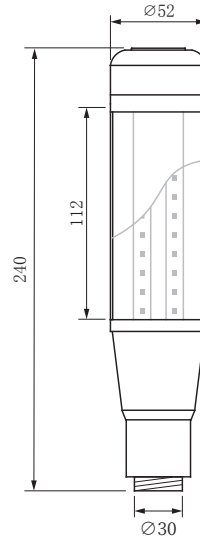
OL5E系列LED多功能警示灯 LED Multi-Functional Signal Light

订购型号 示例(order eg.):

层数 (layers)	额定电压 (rated voltage)	类型 (function)	接线方式 (wire Connecting)	信号颜色 (signal Color)
OL5E - 5	01	B	N	- RYGBW
3=3层3色 4=4层4色 5=5层5色 3=3 Layers 3 colors 4=4 Layers 4 colors 5=5 Layers 5 colors	01=DC 24V	B=常亮 F=常亮带蜂鸣 R=闪亮 Q=闪亮带蜂鸣 B=Steady F=Steady with Buzzer R=Flashing Q=Flashing with Buzzer	P=NPN 共正极 N=PNP 共负极	R=红色Red Y=黄色Yellow G=绿色Green B=蓝色Blue W=白色White



通用支架配件
Universal bracket accessories



可选M12接口
Optional M12 connector



- #1棕线brown=红灯RED LED
- #2白线white=蜂鸣器BUZZER
- #3蓝线blue=负极Negative pole
- #4黑线black=绿灯GREEN LED
- #5灰线gray=黄灯YELLOW LED



OCS防水系列LED多功能警示灯 LED Multi-Function Signal Light

- 具有防水、防油、防蚀与防爆功能
- 高效LED多功能信号灯, 提高远距离可视性能
- 灯体由铝合金制成, 易散热抗冲击
- With waterproof, oil-proof, corrosion-proof and explosion-proof functions
- High-efficiency LED multi-function signal light, improve long-distance visual performance
- The lamp body is made of aluminum alloy, easy to dissipate heat and resist impact

应用场所:

数控机床、组合机床、加工中心、电柜、冷库、矿井及其他照明。

Application:

CNC machine tools, machine tool, machining center, cold storage, electrical cabinet, freezer, mine and other lighting.

订购型号 示例(order eg.):

安装 (installation)	透光材质 (light material)	层数 (layers)	额定电压 (rated voltage)	类型 (function)	接线方式 (wire Connecting)	信号颜色 (signal Color)
O C S	1	1	01	B	N	RYG
S=螺母紧锁式 S=Nut lock	1=透明亚克力 2=乳白亚克力 1=Clear acrylic 2=Milky acrylic	单层3色 1 Layer 3 colors	01=DC 24V	B=常亮 F=常亮带蜂鸣 R=闪亮 Q=闪亮带蜂鸣 B=Steady F=Steady with Buzzer R=Flashing Q=Flashing with Buzzer	P=NPN 共正极 N=PNP 共负极	R=红色Red Y=黄色Yellow G=绿色Green



www.otennlux.com





LED指示灯 INDICATOR LIGHT

欧登LED指示灯为工厂作业提供简单的解决方案，高品质LED光源节能环保，产品使用寿命长。灯具外观时尚，结构紧凑密封性好，体积玲珑，能够向各个方向提供均匀的照明，使用简便，易于安装。

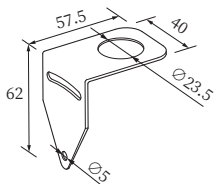
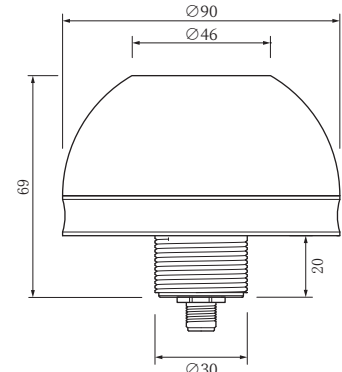
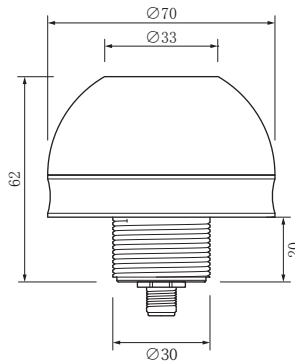
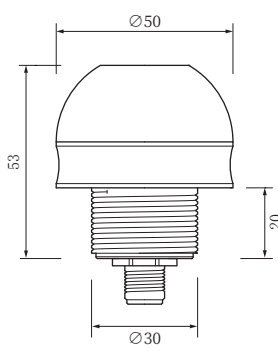
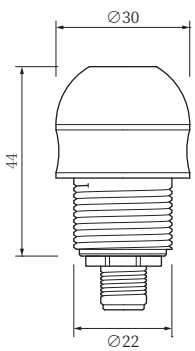
Otenlux LED indicator provides a simple solution for factory operations, high-quality LED light source is energy-saving and environmentally friendly, and the product has a long service life. The lamps and lanterns are fashionable in appearance, compact in structure, good in sealing, exquisite in volume, able to provide uniform illumination in all directions, easy to use and easy to install.

O30

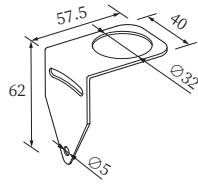
O50

O70

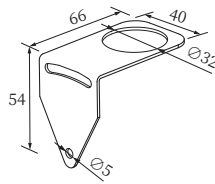
O90



O30支架brackets



O50/O70支架brackets



O90支架brackets



通用支架配件
Universal bracket accessories



- #1棕线brown=红灯RED LED
- #2白线white=黄灯YELLOW LED
- #3蓝线blue=绿灯GREEN LED
- #4黑线black=公共线Common Line
- #5灰线gray=蜂鸣器BUZZER

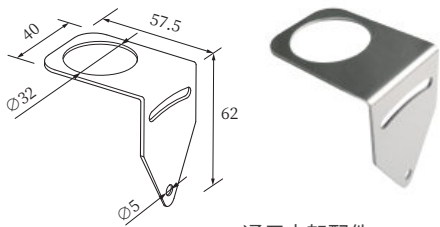
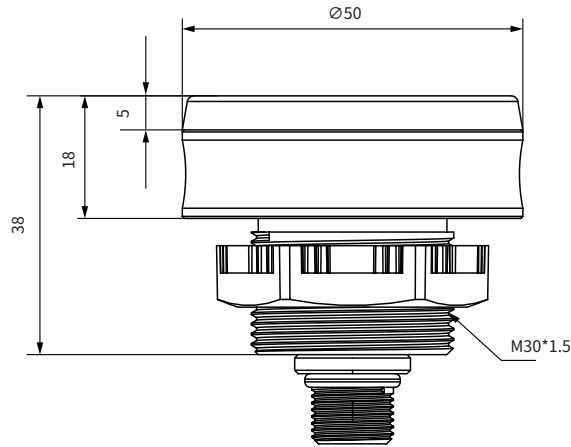
蜂鸣器



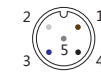
O30/50/70/90系列LED多功能警示灯 LED Multi-Functional Signal Light

订购型号 示例(order eg.):

安装 (installation)	层数 (layers)	额定电压 (rated voltage)	类型 (function)	接线方式 (wire Connecting)	信号颜色 (signal Color)
O 50	- 1	01	B	N	- RYG
30=Ø30 50=Ø50 70=Ø70 90=Ø90	单层3色 1 layer 3 colors	01=DC 24V	B=常亮 F=常亮带蜂鸣 R=闪亮(O90) Q=闪亮带蜂鸣(O90) B=Steady F=Steady with Buzzer R=Flashing(O90) Q=Flashing with Buzzer(O90)	P=NPN 共正极 N=PNP 共负极	R=红色Red Y=黄色Yellow G=绿色Green



通用支架配件
Universal bracket accessories



- #1棕线brown=红灯RED LED
- #2白线white=黄灯YELLOW LED
- #3蓝线blue=绿灯GREEN LED
- #4黑线black=公共线Common Line
- #5灰线gray=蜂鸣器BUZZER

蜂鸣器

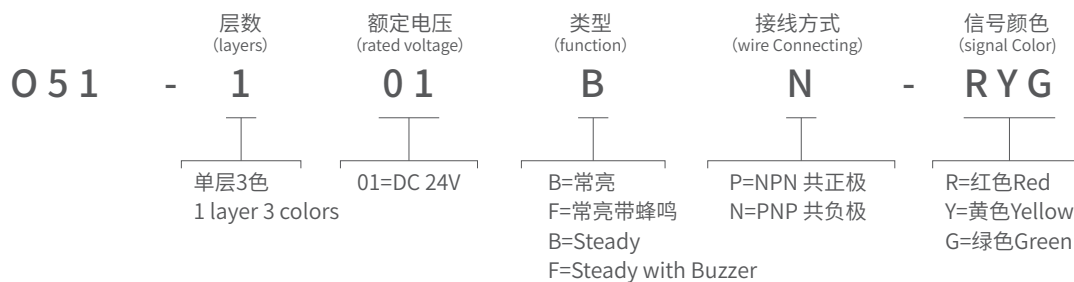


O51系列LED多功能警示灯 LED Multi-Functional Signal Light

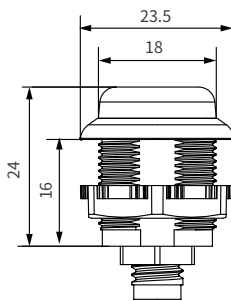
- 优质LED光源, 使用寿命长, 节能环保
- 易于安装, 坚固耐用, 全密封, 防护等级IP69K
- 360度无转角照射, 消除了可能存在的视觉盲点, 大大提高了远距离的可视性能

- High-quality LED light source, long service life, energy saving and environmental protection
- Easy to install, durable, fully sealed, protection class IP69K
- 360 degrees without corner exposure, eliminate the visual blind spots may exist, greatly improving the visual performance of long distance

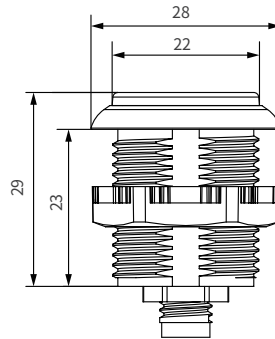
订购型号 示例(order eg.):



N18



N22



- #1棕线brown=红灯RED LED
- #2白线white=黄灯YELLOW LED
- #3蓝线blue=绿灯GREEN LED
- #4黑线black=公共线Common Line
- #5灰线gray=不连接NOT CONNECTED

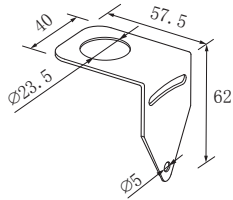
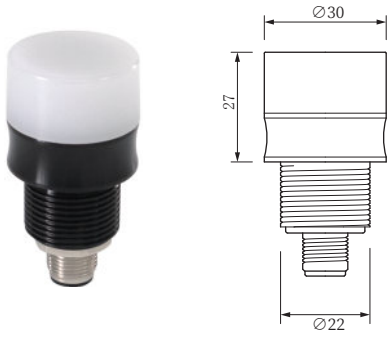


N18/22 系列LED多功能警示灯 LED Multi-Functional Signal Light

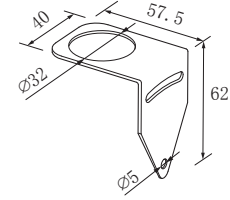
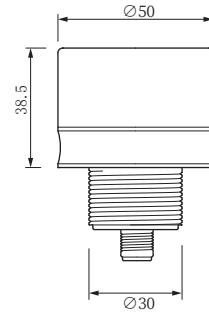
订购型号 示例(order eg.):

安装 (installation)	层数 (layers)	额定电压 (rated voltage)	类型 (function)	接线方式 (wire Connecting)	信号颜色 (signal Color)
N 18	- 1	01	B	N	- RYG
18=Ø18 22=Ø22	单层3色 1 layer 3 colors	01=DC 24V	B=常亮 B=Steady	P=NPN 共正极 N=PNP 共负极	R=红色Red Y=黄色Yellow G=绿色Green

H30



H50



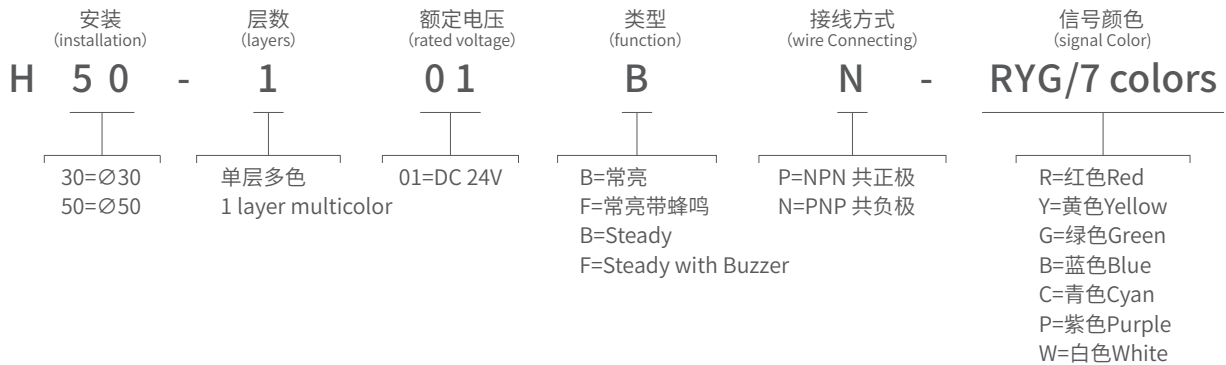
通用支架配件
Universal bracket accessories

蜂鸣器



H30/50系列LED多功能警示灯 LED Multi-Functional Signal Light

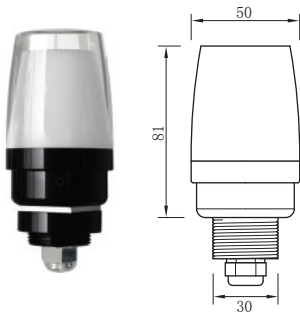
订购型号 示例(order eg.):



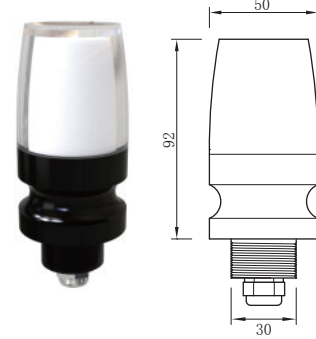
RYG	序号 (Num)	光色 (Signal Colors)	接线 (Wiring)
	1	红色 (red)	pin 1(棕brown)
	2	黄色 (yellow)	pin 2(白white)
	3	绿色 (green)	pin 3(蓝blue)
	4	公共线 (Common Line)	pin 4(黑black)
	5	蜂鸣器 (buzzer)	pin 5(灰gray)

7 colors	序号 (Num)	光色 (Signal Colors)	接线 (Wiring)
	1	红色 (red)	pin1(棕) pin1(brown)
	2	绿色 (green)	pin2(白) pin2(white)
	3	蓝色 (blue)	pin3(蓝) pin3(blue)
	4	黄色 (yellow)	pin1(棕)+pin2(白) pin1(brown)+pin2(white)
	5	青色 (cyan)	pin2(白)+pin3(蓝) pin2(white)+pin3(blue)
	6	紫色 (purple)	pin1(棕)+pin3(蓝) pin1(brown)+pin3(blue)
	7	白色 (white)	pin1(棕)+pin2(白)+pin3(蓝) pin1(brown)+pin2(white)+pin3(blue)
	8	蜂鸣器 (buzzer)	pin5(灰) pin5(gray)

OIS1



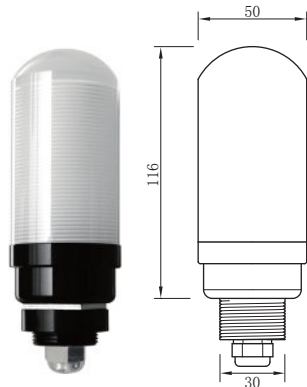
OIT1



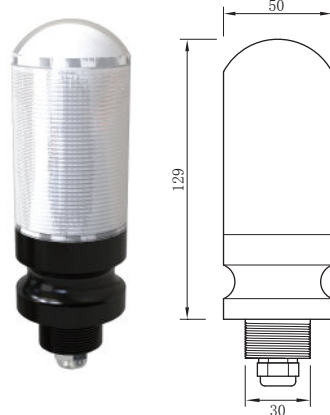
OIP1



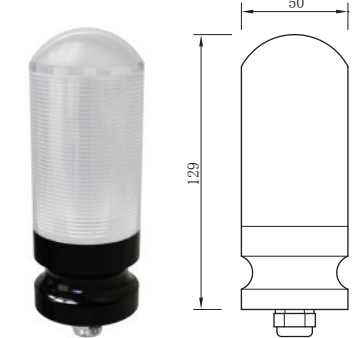
OIS3



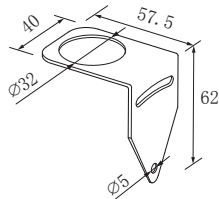
OIT3



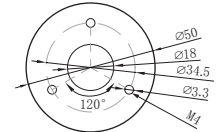
OIP3



- #1棕线brown=红灯RED LED
- #2白线white=黄灯YELLOW LED
- #3蓝线blue=绿灯GREEN LED
- #4黑线black=公共线Common Line
- #5灰线gray=蜂鸣器BUZZER



通用支架配件
Universal bracket accessories



IP67

24V
DC

RYG

M12

0.5m

+55
-25

寿命 life
50000h

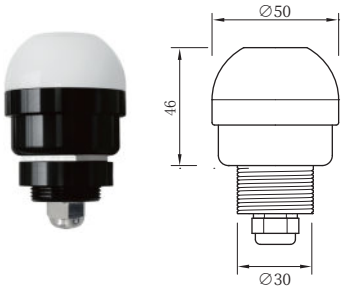
360°

OI系列LED多功能警示灯 LED Multi-Functional Signal Light

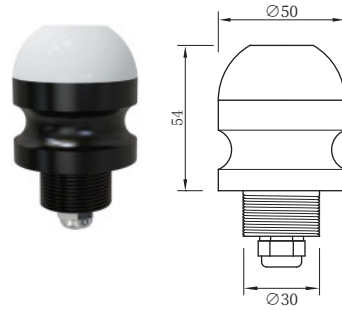
订购型号 示例(order eg.):

安装 (installation)	透光材质 (light material)	层数 (layers)	额定电压 (rated voltage)	类型 (function)	接线方式 (wire Connecting)	信号颜色 (signal Color)
O I S	1	- 1	01	B	N -	RYG
S=火炬底 T=工字螺丝底 P=工字底 S=Torch shape T=I shape+screw P=I shape	1=水晶平顶 3=水晶圆顶 1=Flat top crystal 3=Dome crystal	单层3色 1 layer 3 colors	01=DC 24V	B=常亮 F=常亮带蜂鸣 B=Steady F=Steady with Buzzer	P=NPN 共正极 N=PNP 共负极	R=红色Red Y=黄色Yellow G=绿色Green

ORS1



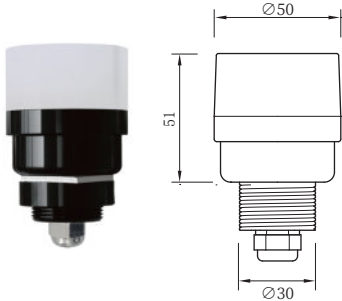
ORT1



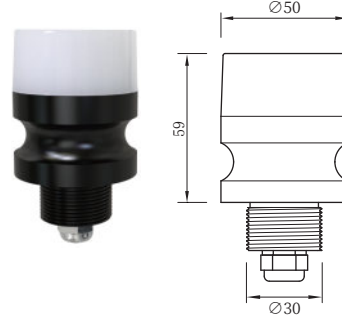
ORP1



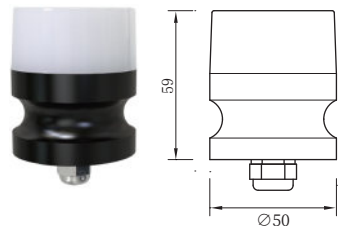
ORS2



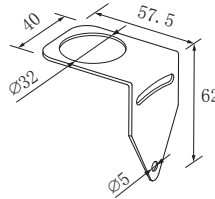
ORT2



ORP2



通用支架配件
Universal bracket accessories



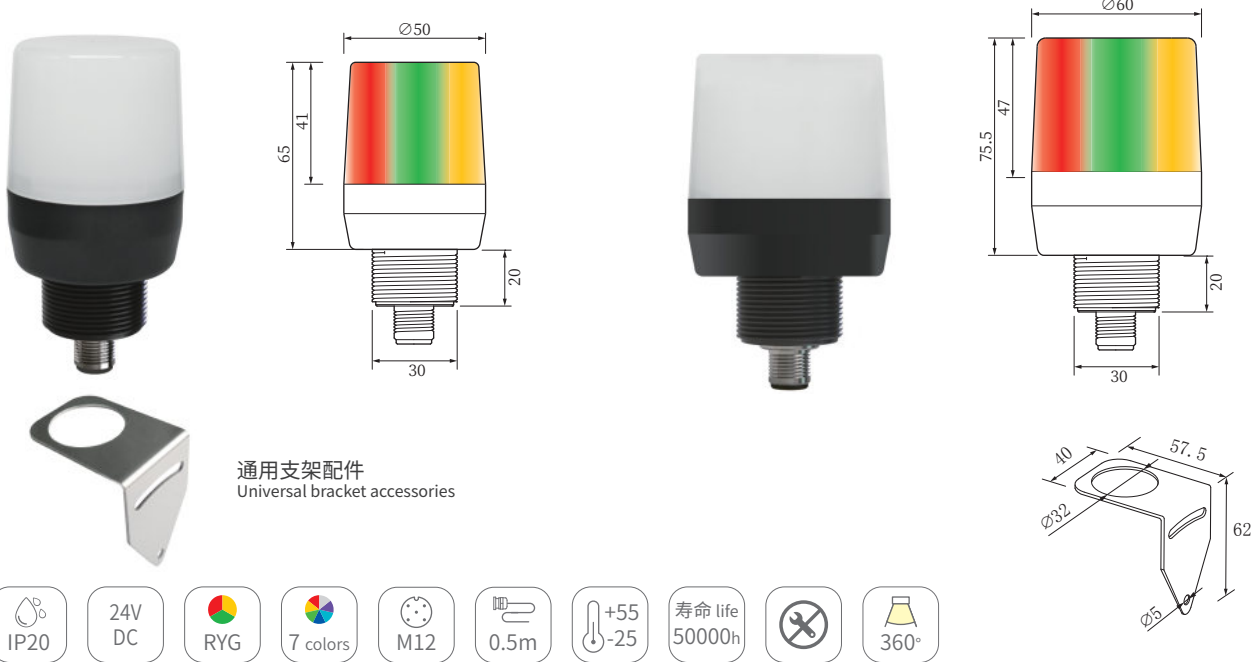
- #1棕线brown=红灯RED LED
- #2白线white=黄灯YELLOW LED
- #3蓝线blue=绿灯GREEN LED
- #4黑线black=公共线Common Line
- #5灰线gray=蜂鸣器BUZZER



OR系列LED多功能警示灯 LED Multi-Function Signal Light

订购型号 示例 (order eg.):

安装 (installation)	透光材质 (light material)	层数 (layers)	额定电压 (rated voltage)	类型 (function)	接线方式 (wire Connecting)	信号颜色 (signal Color)
OR S	1	1	01	B	N	RYG
S=火炬底 T=工字螺丝底 P=工字底 S=Torch shape T=I shape+screw P=I shape	1=水晶圆顶 2=水晶平顶 1=Dome crystal 2=Flat top crystal	单层3色 1 layer 3 colors	01=DC 24V	B=常亮 F=常亮带蜂鸣 B=Steady F=Steady with Buzzer	P=NPN 共正极 N=PNP 共负极	R=红色Red Y=黄色Yellow G=绿色Green



OLJ系列LED多功能警示灯 LED Multi-Functional Signal Light

订购型号 示例(oder eg.):

直径 (calibre)	层数 (layers)	额定电压 (rated voltage)	类型 (function)	接线方式 (wire Connecting)	信号颜色 (signal Color)
OL5J	- 1	01	B	N	RYG/7 colors
5=Ø50 6=Ø60	单层多色 1 Layer multicolor	01=DC 24V	B=常亮 F=常亮带蜂鸣 B=Steady F=Steady with Buzzer	P=NPN 共正极 N=PNP 共负极	R=红色Red Y=黄色Yellow G=绿色Green B=蓝色Blue C=青色Cyan P=紫色Purple W=白色White

RYG	序号 (Num)	光色 (Signal Colors)	接线 (Wiring)
	1	红色 (red)	pin 1(棕brown)
	2	黄色 (yellow)	pin 2(白white)
	3	绿色 (green)	pin 3(蓝blue)
	4	公共线 (Common Line)	pin 4(黑black)
	5	蜂鸣器 (buzzer)	pin 5(灰gray)

7 colors	序号 (Num)	光色 (Signal Colors)	接线 (Wiring)
	1	红色 (red)	pin1(棕) pin1(brown)
	2	绿色 (green)	pin2(白) pin2(white)
	3	蓝色 (blue)	pin3(蓝) pin3(blue)
	4	黄色 (yellow)	pin1(棕)+pin2(白) pin1(brown)+pin2(white)
	5	青色 (cyan)	pin2(白)+pin3(蓝) pin2(white)+pin3(blue)
	6	紫色 (purple)	pin1(棕)+pin3(蓝) pin1(brown)+pin3(blue)
	7	白色 (white)	pin1(棕)+pin2(白)+pin3(蓝) pin1(brown)+pin2(white)+pin3(blue)
	8	蜂鸣器 (buzzer)	pin5(灰) pin5(gray)



www.otennlux.com





声光警示灯与扬声器 SOUND-LIGHT ALARM AND SPEAKER

欧登声光警示灯为满足客户对报警响度和安装位置的特殊要求而设置。同时发出声、光二种警报信号。专用领域：钢铁冶金、电信铁塔、起重机械、工程机械、港口码头、交通运输、风力发电、远洋船舶等行业。

Otennlux The sound and light alarm lights are set to meet the special requirements of customers on the loudness of the alarm and the installation location. Both sound and light alarm signals are issued at the same time. Special fields: iron and steel metallurgy, telecommunications towers, hoisting machinery, construction machinery, ports, transportation, wind power, ocean-going ships and other industries.



OSLA系列声光警示灯 Sound and Light Signal Light

- 爆闪、闪亮、转闪、常亮、蜂鸣警示方式
- 混合棱镜切割灯罩，散发明亮的信号光
- 耐震动和抗冲击性能优秀
- 优质高效能LED，使用寿命长

- Strobe, shiny, flash, steady, buzzer warning mode
- Hybrid prism cut lampshade to diffuse bright signal light
- Excellent vibration and impact resistance
- High-quality high-performance LED, long service life

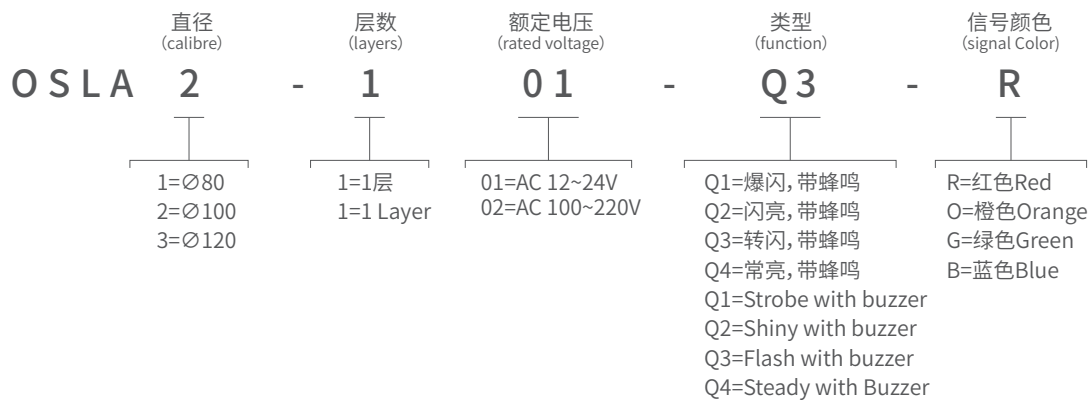
应用场所:

起重机械、工程机械、港口码头、交通运输、安防设备及其他场所。

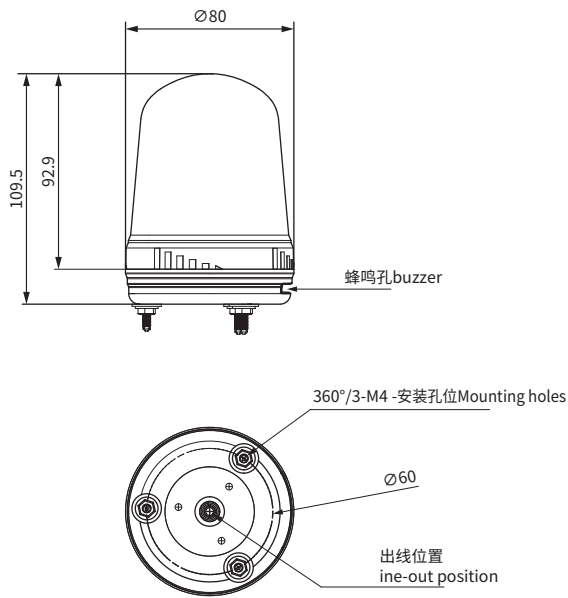
Application:

Lifting machinery, construction machinery, ports, transportation, security equipment and other places.

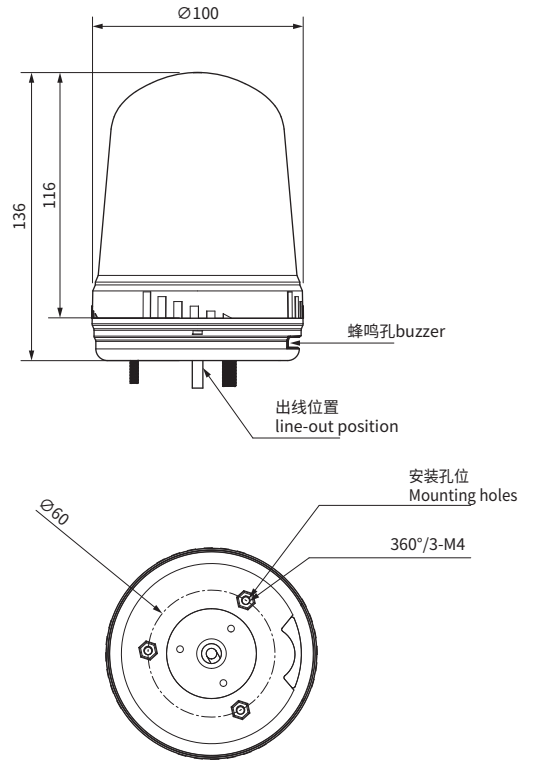
订购型号 示例 (order eg.):



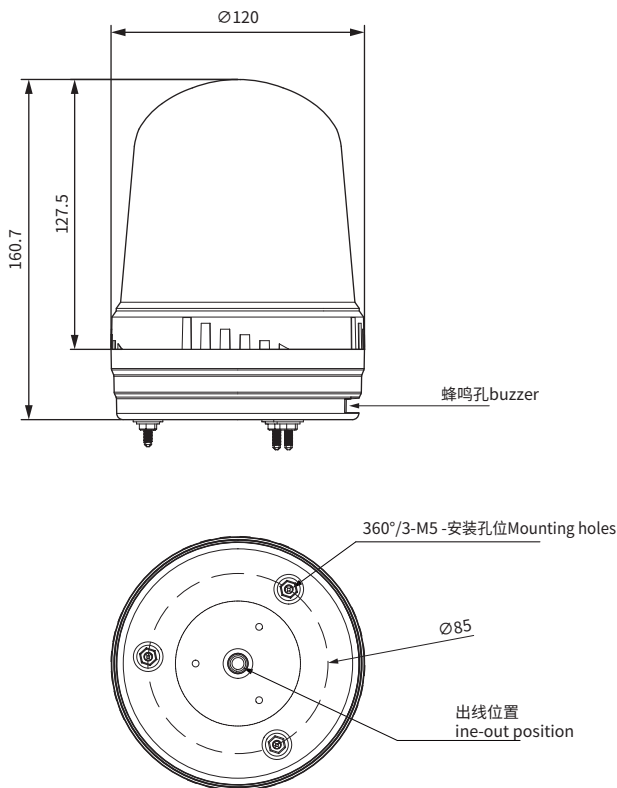
OSLA1



OSLA2

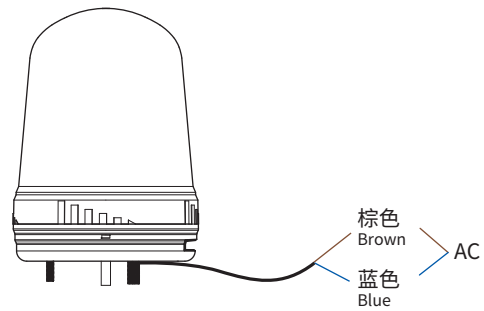


OSLA3

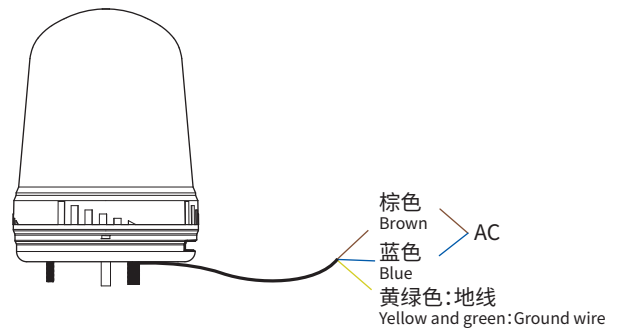


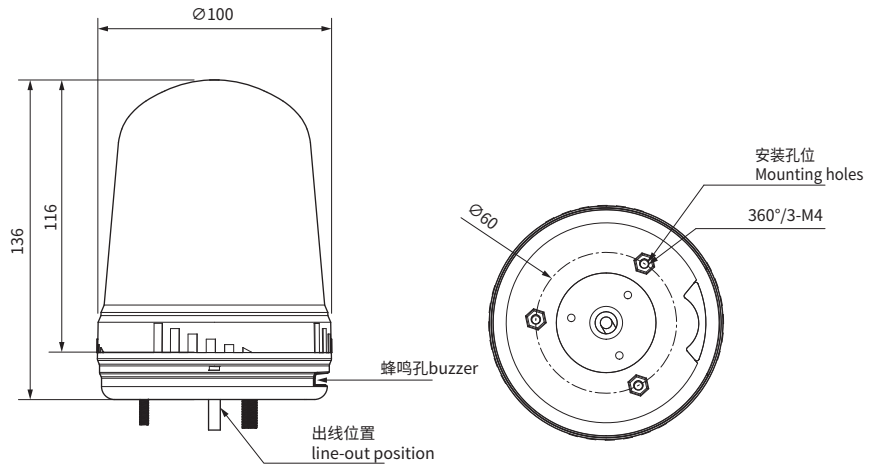
接线方式 Wiring diagram:

12~24V AC



100~220V AC





OSLB系列声光警示灯 Sound and Light Signal Light

- 三色常亮带蜂鸣警示方式
- 混合棱镜切割灯罩，散发明亮的信号光
- 耐震动和抗冲击性能优秀
- 优质高效能LED，使用寿命长

- Three-color constant light with buzzer warning mode
- Hybrid prism cut lampshade to diffuse bright signal light
- Excellent vibration and impact resistance
- High-quality high-performance LED, long service life

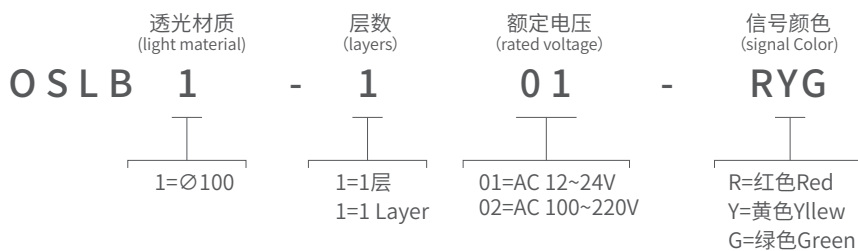
应用场所:

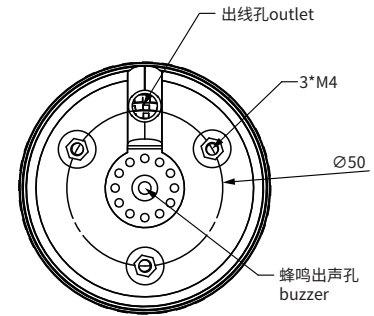
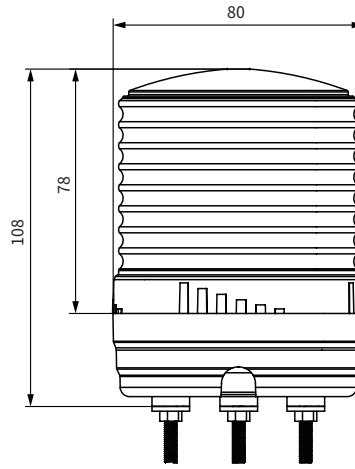
起重机械、工程机械、港口码头、交通运输、安防设备及其他场所。

Application:

Lifting machinery, construction machinery, ports, transportation, security equipment and other places.

订购型号 示例(order eg.):





OSLC系列声光警示灯 Sound and Light Signal Light

- 三色常亮带蜂鸣警示方式
- 混合棱镜切割灯罩，散发明亮的信号光
- 耐震动和抗冲击性能优秀
- 优质高效能LED，使用寿命长

- Three-color constant light with buzzer warning mode
- Hybrid prism cut lampshade to diffuse bright signal light
- Excellent vibration and impact resistance
- High-quality high-performance LED, long service life

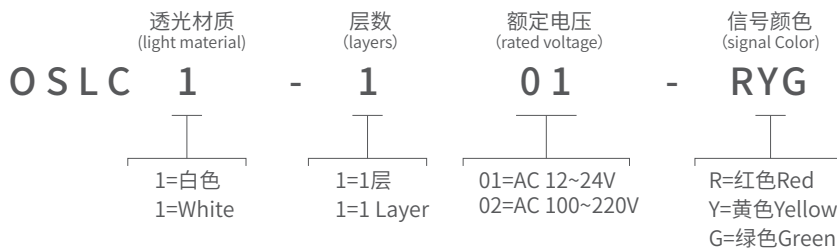
应用场所:

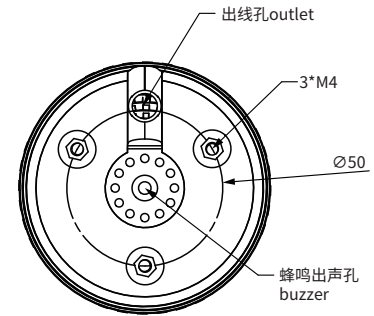
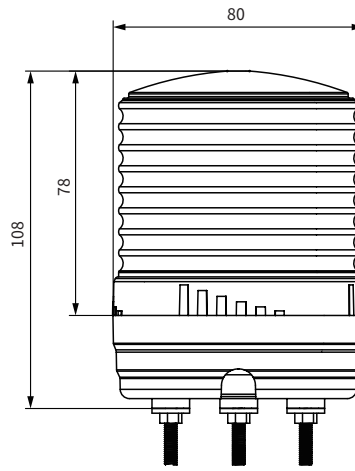
起重机械、工程机械、港口码头、交通运输、安防设备及其他场所。

Application:

Lifting machinery, construction machinery, ports, transportation, security equipment and other places.

订购型号 示例 (order eg.):





OSLC系列声光警示灯 Sound and Light Signal Light

- 爆闪、闪亮、转闪、常亮、蜂鸣警示方式
- 混合棱镜切割灯罩，散发明亮的信号光
- 耐震动和抗冲击性能优秀
- 优质高效能LED，使用寿命长

- Strobe, shiny, flash, steady, buzzer warning mode
- Hybrid prism cut lampshade to diffuse bright signal light
- Excellent vibration and impact resistance
- High-quality high-performance LED, long service life

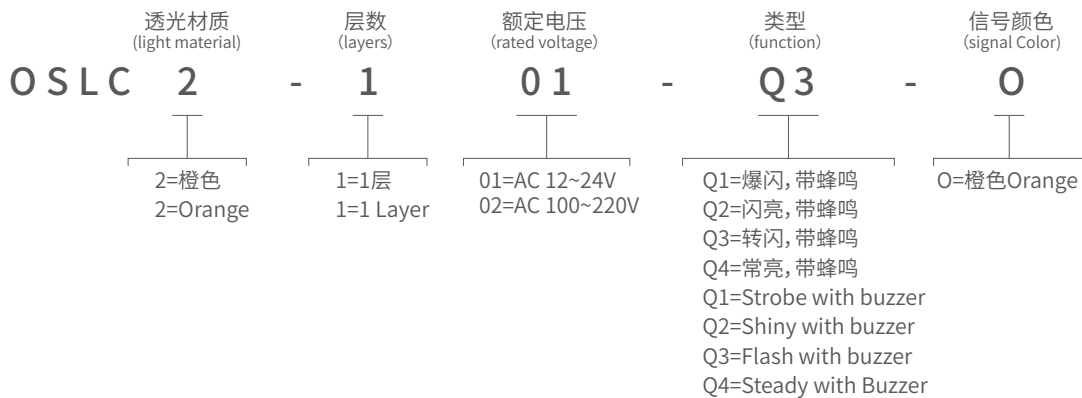
应用场所:

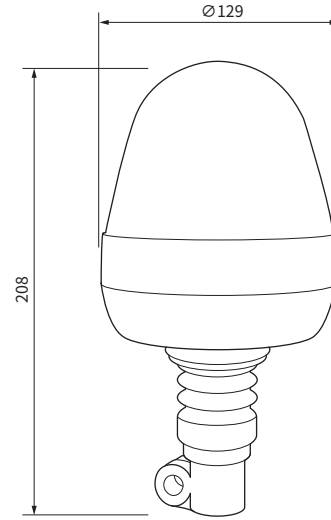
工程机械、特种作业车辆、叉车机械、汽车改装、沙滩车配套、农业机械、轮船、户外野营等领域及其他场所。

Application:

Lifting machinery, construction machinery, ports, transportation, security equipment and other places.

订购型号 示例 (order eg.):





OSLD系列声光警示灯 Sound and Light Signal Light

- 爆闪型警示灯, 造型简约时尚
- 耐震动和抗冲击性能优秀
- 优质高效能LED, 使用寿命长, 照明效果好

应用场所:

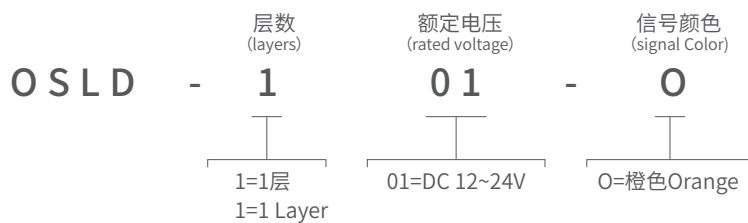
工程机械、特种作业车辆、叉车机械、汽车改装、沙滩车配套、农业机械、轮船、户外野营等领域及其他场所。

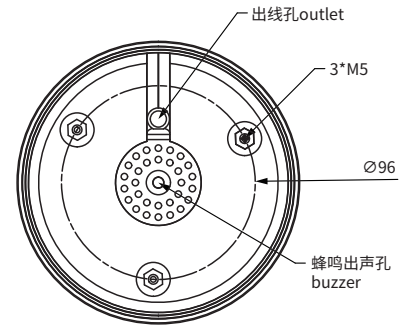
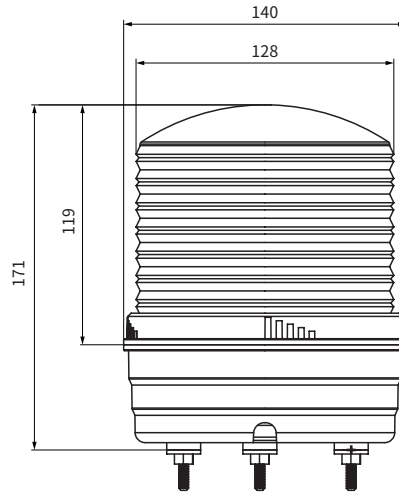
- Strobe warning light, simple and stylish
- Excellent vibration and impact resistance
- High-quality high-performance LED, long service life, good lighting effect

Application:

Lifting machinery, construction machinery, ports, transportation, security equipment and other places.

订购型号 示例 (order eg.):





OSLE系列声光警示灯 Sound and Light Signal Light

- 爆闪、闪亮、转闪、常亮、蜂鸣警示方式
- 混合棱镜切割灯罩，散发明亮的信号光
- 耐震动和抗冲击性能优秀
- 优质高效能LED，使用寿命长

- Strobe, shiny, flash, steady, buzzer warning mode
- Hybrid prism cut lampshade to diffuse bright signal light
- Excellent vibration and impact resistance
- High-quality high-performance LED, long service life

应用场所:

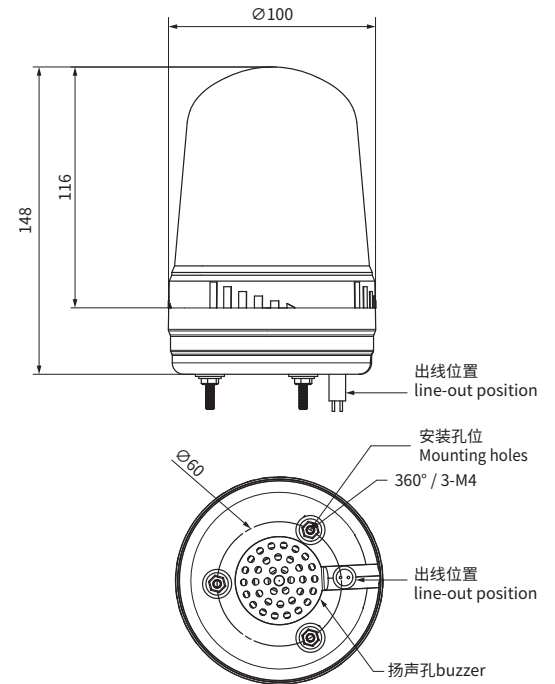
工程机械、特种作业车辆、叉车机械、汽车改装、沙滩车配套、农业机械、轮船、户外野营等领域及其他场所。

Application:

Lifting machinery, construction machinery, ports, transportation, security equipment and other places.

订购型号 示例 (order eg.):

OSLE	直径 (calibre)	层数 (layers)	额定电压 (rated voltage)	类型 (function)	信号颜色 (signal Color)
	1	- 1	01	- Q3	- O
	1=Ø120	1=1层 1=1 Layer	01=AC 12~24V 02=AC 100~220V	Q1=爆闪, 带蜂鸣 Q2=闪亮, 带蜂鸣 Q3=转闪, 带蜂鸣 Q4=常亮, 带蜂鸣 Q1=Strobe with buzzer Q2=Shiny with buzzer Q3=Flash with buzzer Q4=Steady with Buzzer	O=橙色Orange



IP65	10~36 VDC	RO	85dB	音源数 15	格式 MP3 WAV	0.3m	+50 -25	寿命 life 50000h	360°
------	-----------	----	------	--------	------------	------	---------	----------------	------

OSLA-SPK系列声光警示灯与扬声器 Sound Signal Light and speakers

- 采用寿命长的LED为光源, 清晰悦耳的扬声器
- 特殊散光灯罩和LED直配光结构, 散发明亮的信号光
- 内置旋转-常亮-爆闪-慢闪模式
- 闪亮次数: 60~80次/min

应用场所:

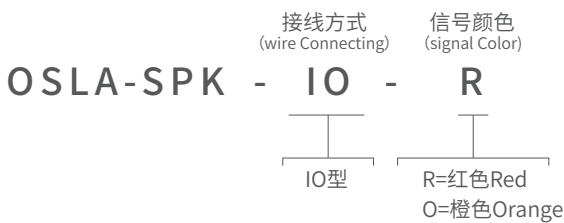
起重机械、工程机械、港口码头、交通运输、安防设备及其他场所。

- Using long-life LED as the light source, clear and pleasant speakers
- Special diffusion lampshade and LED direct light distribution structure, to disperse bright signal light
- Built in rotating -normal light -flash -slow flash mode
- Flashing times: 60-80 times/min

Application:

Lifting machinery, construction machinery, ports, transportation, security equipment and other places.

订购型号 示例(order eg.):



接线图wiring diagram

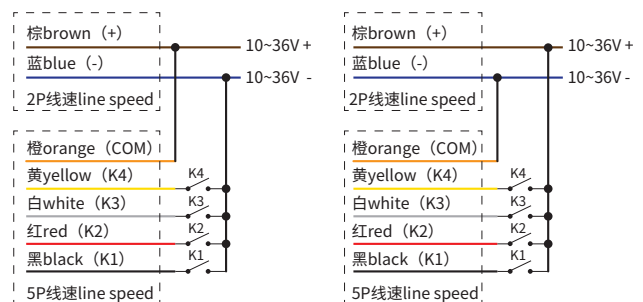
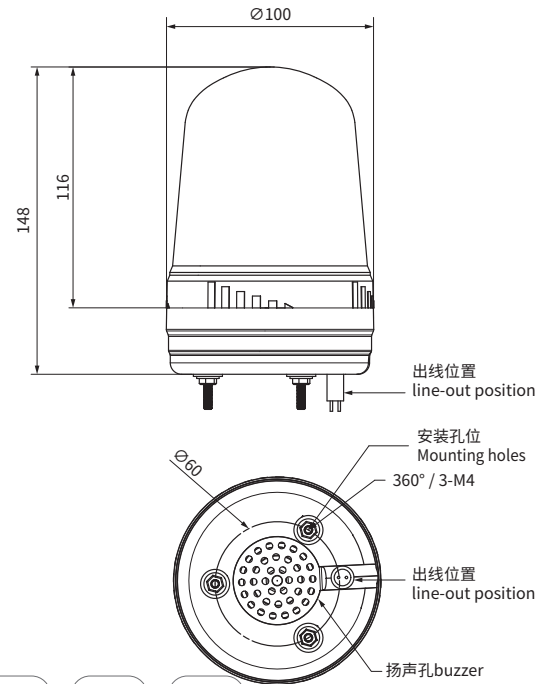


图1共正接法
NPN Wiring method

图2共负接法
PNP Wiring method



IP65	10~36 VDC	RO	>90dB	音源数 255	格式 MP3 WAV	0.3m	+50 -25	寿命 life 50000h	360°
------	-----------	----	-------	---------	------------	------	---------	----------------	------

OSLA-SPK系列声光警示灯与扬声器 Sound Signal Light and speakers

- 适用工业用RS485通信, 输出清晰轻快的8~48Khz的MP3 Audio和音的面板嵌入式信号扬声器
- 利用专用程序, 可设置255个ID
- 利用RS485通信, 可选择和播放255首音源
- 利用USB C-TYPE数据线保存MP3音源
- 支持128Mbyte的存储容量 (文件格式:FAT)
- 支持4种通信速度: 9600bps, 19200bps, 38400bps, 115200bps
- 材质: ABS
- 音量: Max.90dB at 1m
- 使用环境温度:-25°C+50°C

应用场所:

起重机械、工程机械、港口码头、交通运输、安防设备及其他场所。

Application:

Lifting machinery, construction machinery, ports, transportation, security equipment and other places.

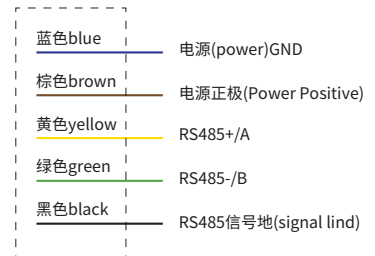
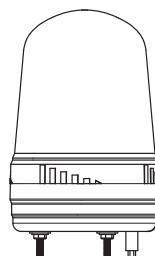
订购型号 示例(order eg.):

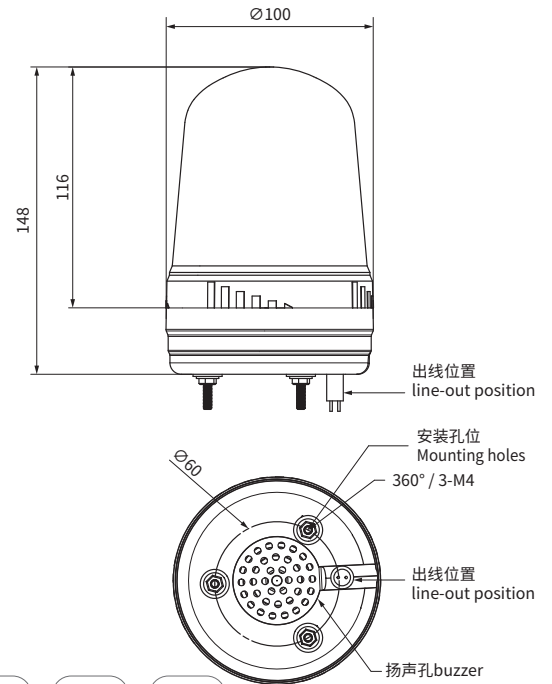


- Suitable for industrial RS485 communication, output clear and light 8~48Khz MP3 Audio and sound panel embedded signal speaker
- Set up to 255 IDs with a dedicated program
- Using RS485 communication, 255 audio sources can be selected and played
- Use USB C-TYPE data cable to save MP3 audio source
- Support 128Mbyte storage capacity (file format: FAT)
- Supports 4 communication speeds: 9600bps, 19200bps, 38400bps, 115200bps
- Material: ABS
- Sound volume: Max.90dB at 1m
- Ambient temperature: -25°C+50°C

■ 接线图wiring diagram

注意: 仅RS485总线末端的两个设备需要接120Ω终端匹配电阻!
Note: Only the two devices at the end of the RS485 bus need to be connected to 120Ω termination matching resistors!





OSLA-SPK系列声光警示灯与扬声器 Sound Signal Light and speakers

- 适用工业用CAN通信,输出清晰轻快的8~48Khz的MP3 Audio和音的面板嵌入式信号扬声器
- 利用专用程序,可设置255个ID
- 利用CAN通信,可选择和播放255首音源
- 利用USB C-TYPE数据线保存MP3音源
- 支持128Mbyte的存储容量(文件格式:FAT)
- 支持CAN通信标准版 2.0A/2.0B
- 支持4种通信速度: 125Kbps,250Kbps,500Kbps,1Mbps

- Panel-mounted signal speaker for industrial CAN communication, outputting clear and light 8~48Khz MP3 Audio and tones
- 255 IDs can be set by special program
- Select and play 255 audio sources with CAN communication
- Use USB C-TYPE data cable to save MP3 audio source
- Supports 128Mbyte storage capacity (file format: FAT)
- Supports CAN communication standard version 2.0A/2.0B
- Supports 4 communication speeds: 125Kbps,250Kbps,500Kbps,1Mbps

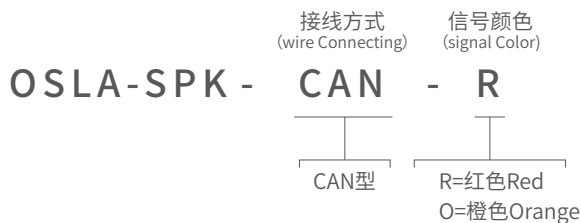
应用场所:

起重机械、工程机械、港口码头、交通运输、安防设备及其他场所。

Application:

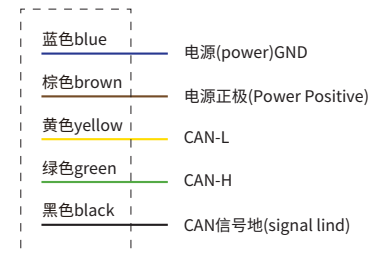
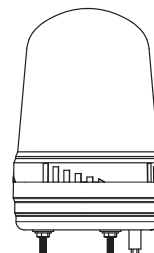
Lifting machinery, construction machinery, ports, transportation, security equipment and other places.

订购型号 示例(order eg.):



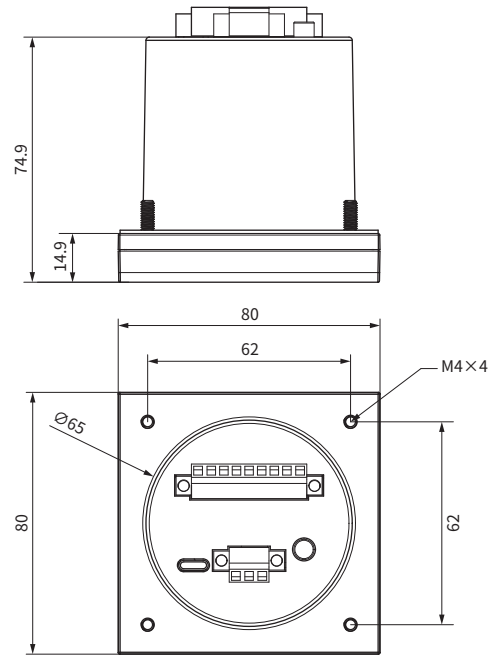
■ 接线图wiring diagram

注意: 仅CAN总线末端的两个设备需要接120Ω终端匹配电阻!
Note: Only the two devices at the end of the CAN bus need to be connected to 120Ω terminal matching resistors!





		>90dB icon"/>					
IP23	12~36V DC	>90dB	音源数 255	格式 MP3 WAV	+50 -25	寿命 life 50000h	



OLSPK信号扬声器IO型 Signal loudspeaker

订购型号 示例(order eg.):



- 输出清晰动听的音乐音, 嵌入式扬声器, 通过Type C USB接口更新音频文件
- OLSPK产品内置512MB SDNAND, 支持MP3和WAV格式文件
- 八路光耦隔离输入, 共正共负通用, 可以控制255段音频播放, 输入触发信号开始播放, 断开触发信号停止播放
- 通过自带的音量旋钮调节音量, 最大音量90dB
- Output clear and pleasant music sounds, embedded speakers, and update audio files through the type C USB interface
- The olspk product has a built-in 512MB sdnand and supports MP3 and wav format files
- Eight way optocoupler isolation input, common positive and negative, can control 255 segments of audio playback, input trigger signal to start playback, and disconnect trigger signal to stop playback
- Adjust the volume through the built-in volume knob. The maximum volume is 90dB

接线图wiring diagram

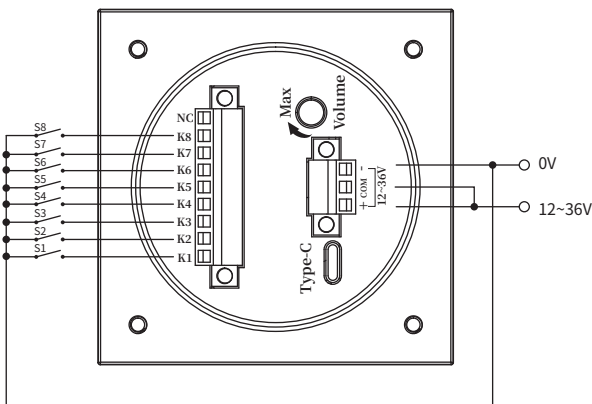


图1共正接法
NPN Wiring method

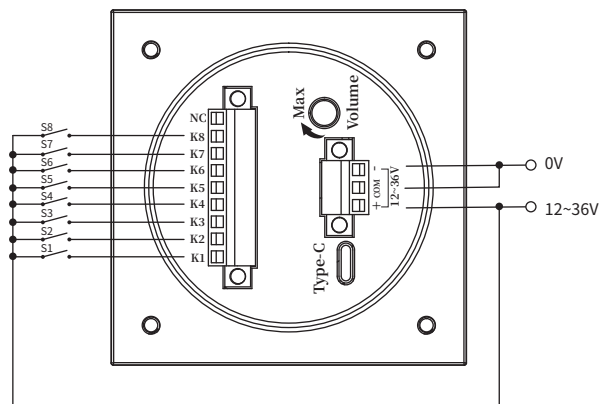
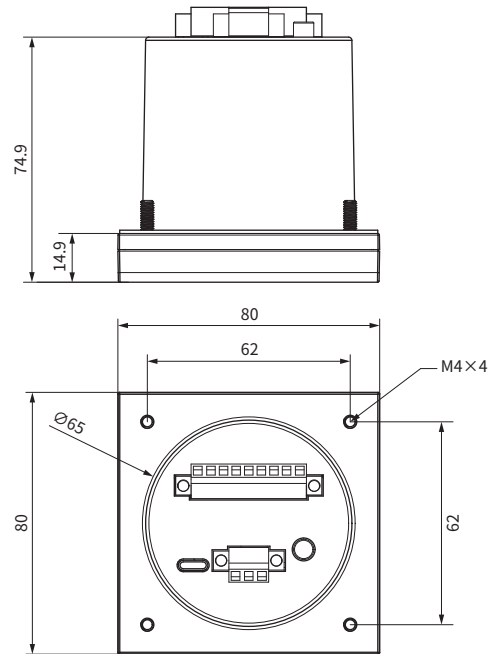


图2共负接法
PNP Wiring method



OLSPK信号扬声器RS485型 signal loudspeaker

- 适用工业用RS485通信, 输出清晰轻快的8~48Khz的MP3 Audio和音的面板嵌入式信号扬声器
- 利用专用程序, 可设置255个ID
- 利用RS485通信, 可选择和播放255首音源
- 利用USB C-TYPE数据线保存MP3音源
- 支持128Mbyte的存储容量 (文件格式:FAT)
- 支持4种通信速度: 9600bps, 19200bps, 38400bps, 115200bps
- 材质: ABS
- 音量: Max.90dB at 1m
- 使用环境温度:-25°C+50°C

- Suitable for industrial RS485 communication, output clear and light 8~48Khz MP3 Audio and sound panel embedded signal speaker
- Set up to 255 IDs with a dedicated program
- Using RS485 communication, 255 audio sources can be selected and played
- Use USB C-TYPE data cable to save MP3 audio source
- Support 128Mbyte storage capacity (file format: FAT)
- Supports 4 communication speeds: 9600bps, 19200bps, 38400bps, 115200bps
- Material: ABS
- Sound volume: Max.90dB at 1m
- Ambient temperature: -25°C+50°C

应用场所:

可用于AGV、电池设备、机器人, 各种嘈杂的工厂环境或大设备的远距离警示。

Application:

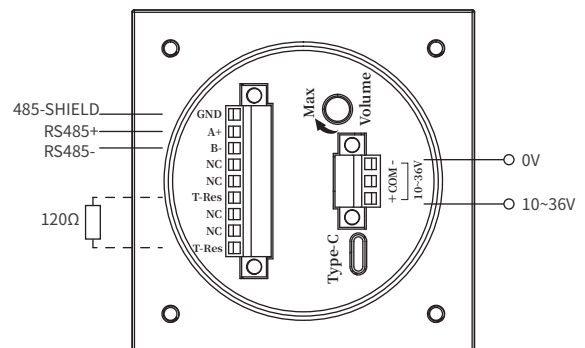
It can be used for long-distance warning of AGV, battery equipment, robots, various noisy factory environments or large equipment.

订购型号 示例(order eg.):

OLSPK - RS485
接线方式 (wire Connecting)
RS485型
RS485 type

■ 接线图wiring diagram

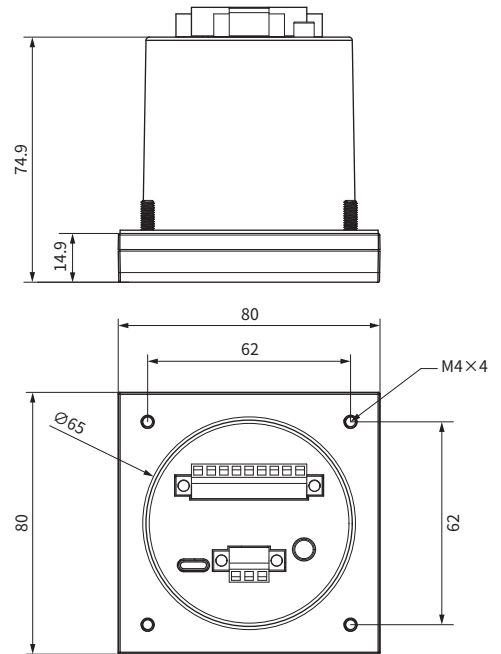
注意: 仅RS485总线末端的两个设备需要接120Ω终端匹配电阻!
Note: Only the two devices at the end of the RS485 bus need to be connected to 120Ω termination matching resistors!



RS485信号扬声器接线图
RS485 signal speaker wiring diagram



		>90dB icon"/>					
IP23	10~36 VDC	>90dB	255	MP3 WAV	+50 -25	寿命 life 50000h	



OLSPK信号扬声器CAN型 Signal loudspeaker

- 适用工业用CAN通信,输出清晰轻快的8~48Khz的MP3 Audio和音的面板嵌入式信号扬声器
- 利用专用程序,可设置255个ID
- 利用CAN通信,可选择和播放255首音源
- 利用USB C-TYPE数据线保存MP3音源
- 支持128Mbyte的存储容量(文件格式:FAT)
- 支持CAN通信标准版 2.0A/2.0B
- 支持4种通信速度: 125Kbps,250Kbps,500Kbps,1Mbps

- Panel-mounted signal speaker for industrial CAN communication, outputting clear and light 8~48Khz MP3 Audio and tones
- 255 IDs can be set by special program
- Select and play 255 audio sources with CAN communication
- Use USB C-TYPE data cable to save MP3 audio source
- Supports 128Mbyte storage capacity (file format: FAT)
- Supports CAN communication standard version 2.0A/2.0B
- Supports 4 communication speeds: 125Kbps,250Kbps,500Kbps,1Mbps

应用场所:

可用于AGV、电池设备、机器人,各种嘈杂的工厂环境或大设备的远距离警示。

Application:

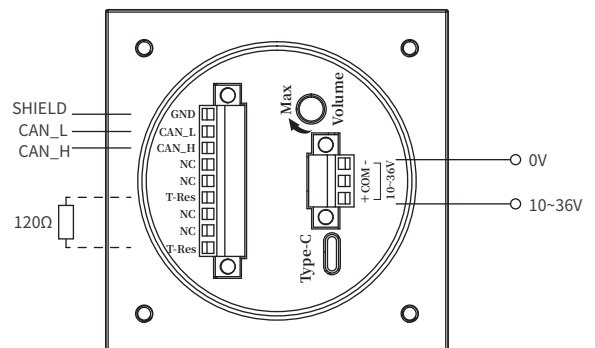
It can be used for long-distance warning of AGV, battery equipment, robots, various noisy factory environments or large equipment.

订购型号 示例(order eg.):

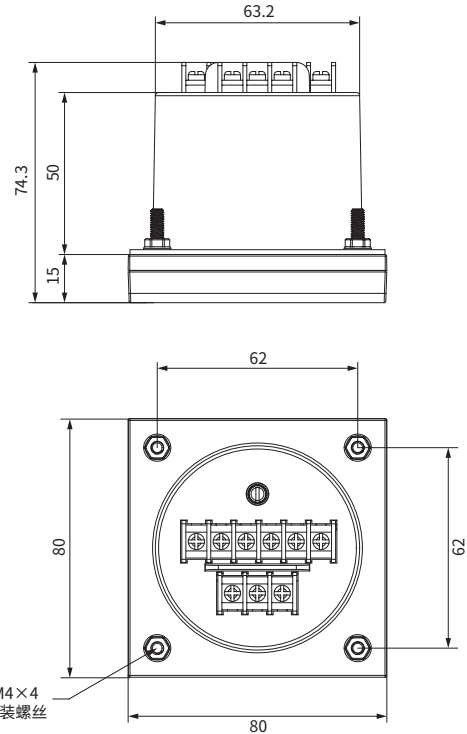


■ 接线图wiring diagram

注意:仅CAN总线末端的两个设备需要接120Ω终端匹配电阻!
Note: Only the two devices at the end of the CAN bus need to be connected to 120Ω terminal matching resistors!



CAN信号扬声器接线图
CAN Signal Speaker Wiring Diagram



OLSPK信号扬声器简易IO型 Signal loudspeaker

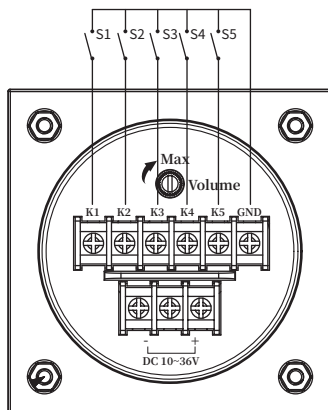
- 可发出轻快明亮的8和音音调的面板嵌入式扬声器
- 安装口的尺寸与一般机械用的尺寸相同(62x62mm),安装兼容性很好的产品
- 无需打开产品,在后面可调节音量,音量大于90dB
- 可根据传达信息的用途来选择警告音、音乐音或提示音等多种信号音
- 产品后面设有电源接线用的接线端子台

- Panel-mounted signal speaker that emits a light, bright 8th harmonic tone
- The size of the mounting port is the same as the size of the general machinery (62x62mm), and the product is very compatible for installation.
- No need to open the product, the volume can be adjusted at the back, the volume is greater than 90dB
- Various signal tones such as warning tones, music tones or alert tones can be selected according to the purpose of the message
- Terminal blocks for power wiring are provided at the back of the product

订购型号 示例(order eg.):

接线方式
(wire Connecting)
OLSPK - IO-02
IO型5音
IO type 5 tone

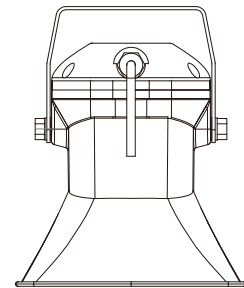
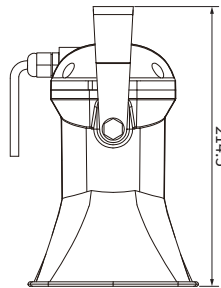
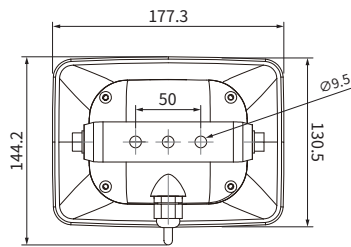
接线图wiring diagram



IO型5音信号扬声器接线图
IO type 5-tone signal speaker wiring diagram

音调详细规格Tone detailed specifications

内置音 (built-in audio)	例如 (for example)	频道 (frequency)	音量 (loudness)	电压/电流 (Voltage/current)
警告音 Warning tone	火灾A-ANG音 (Fire A-ANA tone)	S1	>90dB	10~36V DC 0.7A
	紧急WA-U音 (Emergency WA-U tone)	S2		
	急救PI-PO音 (First Aid PI-PO Voice)	S3		
	断续音PI-PI音 (Intermittent PI-PI tone)	S4		
	7短1长音 (7 short 1 long tones)	S5		
音乐音 Music tone	快乐我的家 (Happy My Home)	S1		
	致爱丽丝 (To Alice)	S2		
	布谷鸟华尔兹 (Cuckoo Waltz)	S3		
	钢琴协奏曲 (Piano Concerto)	S4		
	土耳其进行曲 (Turkish March)	S5		
提示音 Prompt	电铃音 (Electric bell tone)	S1		
	叮咚音 (Dingdong sound)	S2		
	电话铃音 (Telephone ringing tone)	S3		
	快速断续音 (Fast intermittent tone)	S4		
	Tripping Bead Sound	S5		



音源数 格式

IP65 15~36V DC 100dB 15 MP3 WAV +50 -25 寿命 life 50000h

DOLSPK信号扬声器IO型 Signal loudspeaker

订购型号 示例 (order eg.):



- IO型大喇叭扬声器, 输出清晰动听的音乐效果
- 支持MP3和WAV格式文件
- 可以控制15段音频播放, 输入触发信号开始播放, 断开触发信号停止播放
- 最大音量: 100dB
- 工作电压范围: 15VDC~36VDC
- IO type loud speaker for clear and dynamic music output
- Supports MP3 and WAV files
- Playback can be controlled with 15 audio segments, input trigger signal to start playback, disconnect trigger signal to stop playback
- Maximum volume: 100dB
- Operating voltage range: 15VDC~36VDC

应用场所:

可用于电池设备、机器人, 各种嘈杂的工厂环境或大型设备的远距离警示。

Application:

It can be used for long-distance warning of battery equipment, robots, various noisy factory environments or large equipment.

接线图 wiring diagram

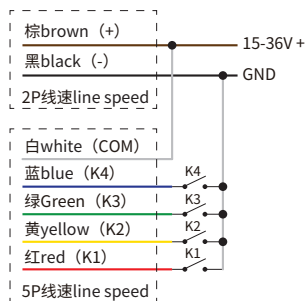


图1 共正接法 NPN Wiring method

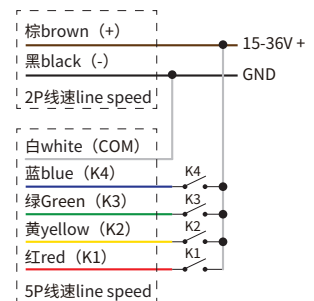
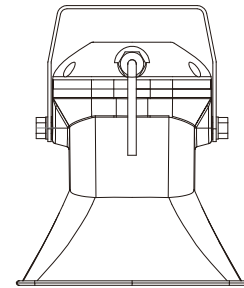
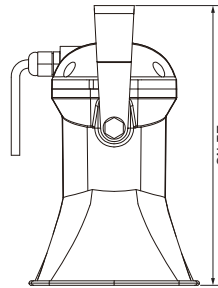
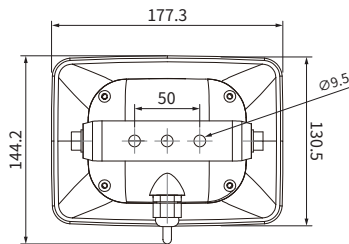


图2 共负接法 PNP Wiring method



IP65	15~36V DC	100dB	音源数 255	格式 MP3 WAV	+50 -25	寿命 life 50000h	⚡
------	--------------	-------	------------	------------------	------------	-------------------	---

DOLSPK信号扬声器RS485型 Signal loudspeaker

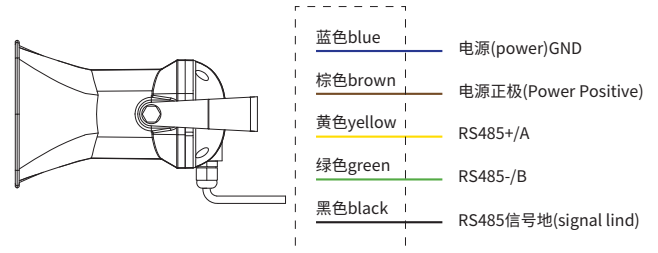
- 适用工业用RS485通信, 输出清晰轻快的8~48Khz的MP3 Audio和音的面板嵌入式信号扬声器
- 利用专用程序, 可设置255个ID
- 利用RS485通信, 可选择和播放255首音源
- 利用USB C-TYPE数据线保存MP3音源
- 支持128Mbyte的存储容量 (文件格式:FAT)
- 支持4种通信速度: 9600bps, 19200bps, 38400bps, 115200bps
- 材质: ABS
- 音量: Max.90dB at 1m
- 使用环境温度:-25°C+50°C

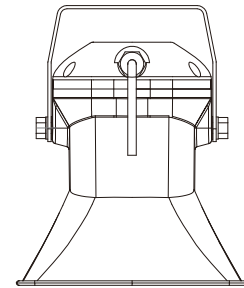
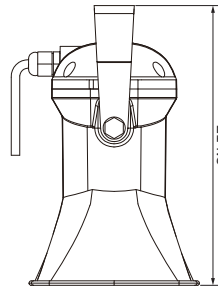
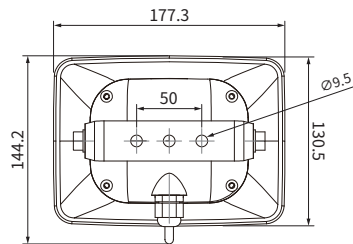
- Suitable for industrial RS485 communication, output clear and light 8~48Khz MP3 Audio and sound panel embedded signal speaker
- Set up to 255 IDs with a dedicated program
- Using RS485 communication, 255 audio sources can be selected and played
- Use USB C-TYPE data cable to save MP3 audio source
- Support 128Mbyte storage capacity (file format: FAT)
- Supports 4 communication speeds: 9600bps, 19200bps, 38400bps, 115200bps
- Material: ABS
- Sound volume: Max.90dB at 1m
- Ambient temperature: -25°C+50°C

■ 接线图wiring diagram

注意: 仅RS485总线末端的两个设备需要接120Ω终端匹配电阻!
Note: Only the two devices at the end of the RS485 bus need to be connected to 120Ω termination matching resistors!

订购型号 示例(order eg.):





DOLSPK信号扬声器CAN型 Signal loudspeaker

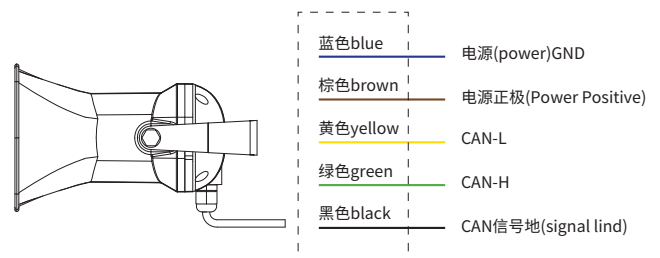
- 适用工业用CAN通信,输出清晰轻快的8~48Khz的MP3 Audio和音的面板嵌入式信号扬声器
- 利用专用程序,可设置255个ID
- 利用CAN通信,可选择和播放255首音源
- 利用USB C-TYPE数据线保存MP3音源
- 支持128Mbyte的存储容量(文件格式:FAT)
- 支持CAN通信标准版 2.0A/2.0B
- 支持4种通信速度: 125Kbps,250Kbps,500Kbps,1Mbps

- Panel-mounted signal speaker for industrial CAN communication, outputting clear and light 8~48Khz MP3 Audio and tones
- 255 IDs can be set by special program
- Select and play 255 audio sources with CAN communication
- Use USB C-TYPE data cable to save MP3 audio source
- Supports 128Mbyte storage capacity (file format: FAT)
- Supports CAN communication standard version 2.0A/2.0B
- Supports 4 communication speeds: 125Kbps,250Kbps,500Kbps,1Mbps

■ 接线图wiring diagram

注意: 仅CAN总线末端的两个设备需要接120Ω终端匹配电阻!
 Note: Only the two devices at the end of the CAN bus need to be connected to 120Ω termination matching resistors!

订购型号 示例(order eg.):





www.otennlux.com

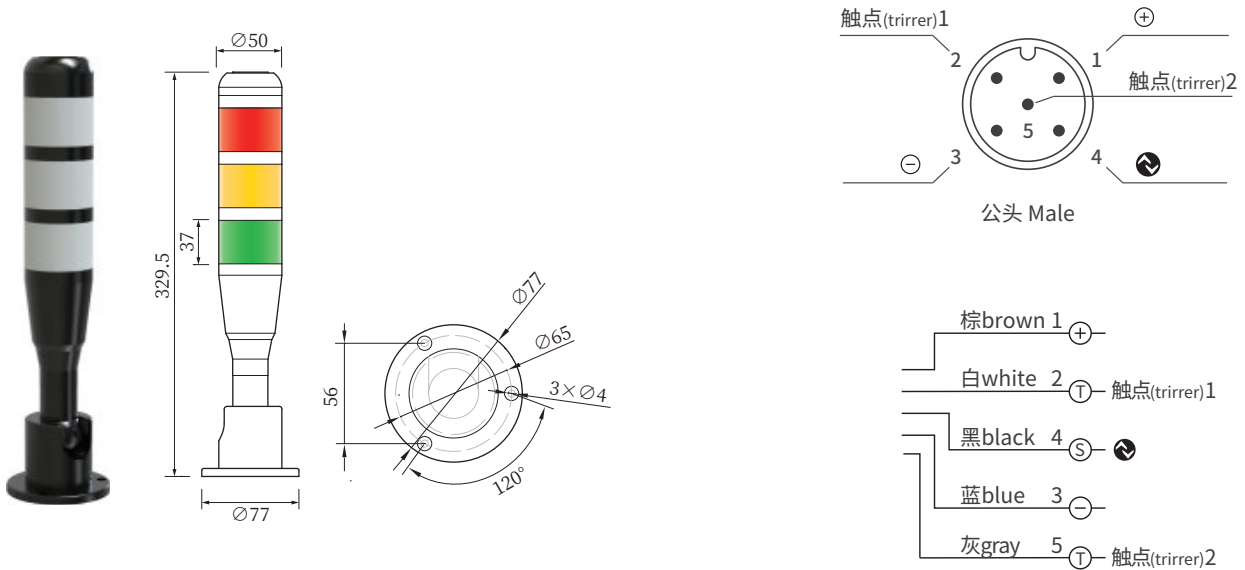




智能报警灯 INTELLIGENT SIGNAL LIGHT

欧登LED智能报警灯使用IO-Link接口, 灵活多功能性, 应用多样化, 为工业4.0智能自动化行业, 提供可靠的控制方案。降低布线, 增加数据可用性, 远程配置和监控, 简单的设备更换和高级诊断, 提高流程效率, 提高机器可用性。

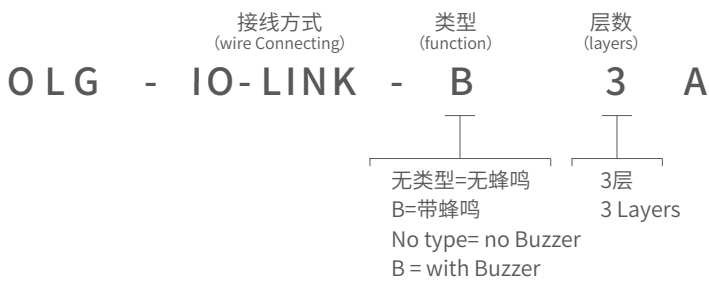
Otenlux LED intelligent signal lights use IO-Link interface, flexible and versatile, and diversified applications, providing reliable control solutions for Industry 4.0 intelligent automation industry. Reduce wiring, increase data availability, remote configuration and monitoring, simple equipment replacement and advanced diagnosis, improve process efficiency and increase machine availability.



- IP20
- 24V DC
- RYG
- M12
- 0.5m
- +55
-25
- 寿命 life
50000h
-
- 360°

OLG IO-Link警示灯 I/O Link Signal Light

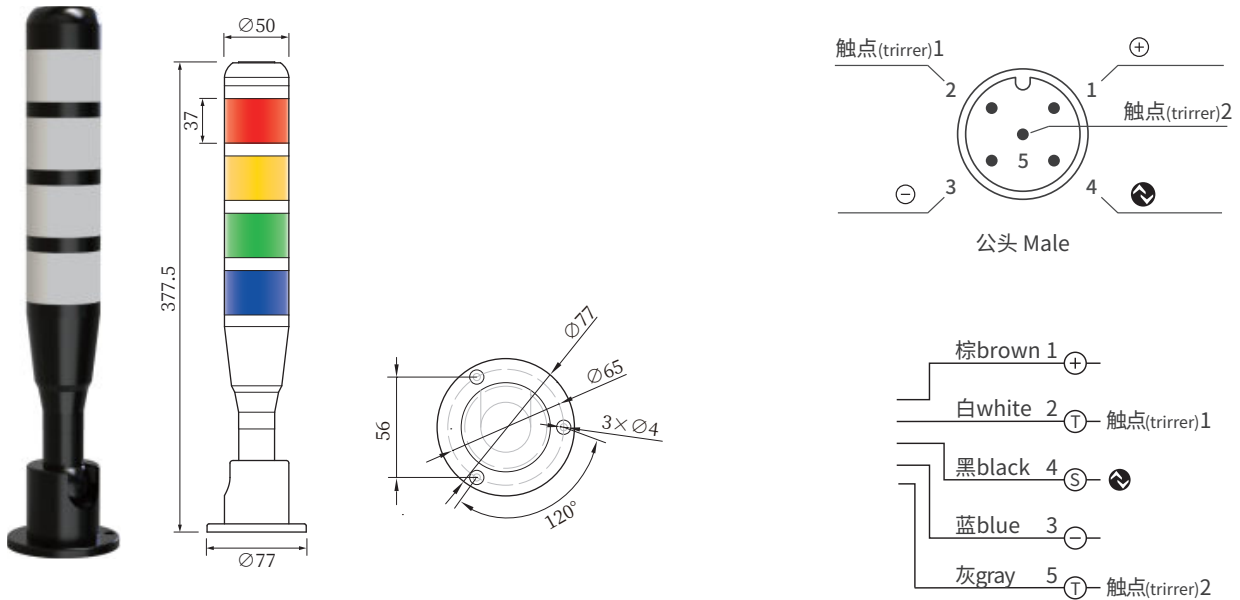
订购型号 示例(order eg.):



Legende:
 >RT< = flashing red slowly
 >>RT<< = rapidly flashing red
 >BUZ< = Buzzer intermitlent (1Hz)
 >>BUZ<<= Buzzer intermitlent (2.5Hz)
 All Trgger inputs have a delay -50 ms.
 Pre-sets can be defined via 10-Link.

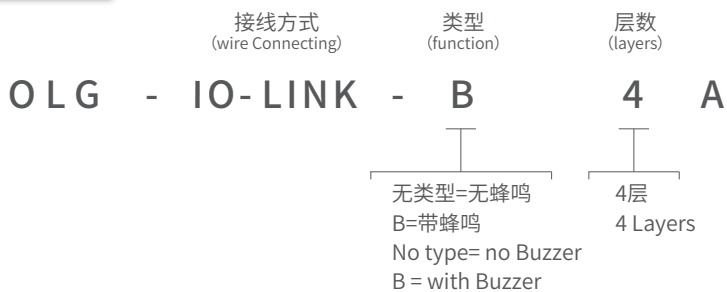
TRIG 1	TRIG 2	TRIG 3	Pre-Set	Factory setting (Seg 1/ Seg 2/ Seg 3/BUZ)		
				Var.3A	Var.B3A	
0	0	0	1	--	--	--
1	0	0	2	--	--	RT
0	1	0	3	GN	--	GN
1	1	0	4	--	YE	--
0	0	1	5	BU	--	BU
1	0	1	6	WH	--	WH
0	1	1	7	--	--	>RT< >BUZ<
1	1	1	8	--	--	>RT< >>BUZ<<

BK: 黑色(black)
 BN: 棕色(brown)
 BU: 蓝色(blue)
 GN: 绿色(green)
 GY: 灰色(gray)
 WH: 白色(white)
 YE: 黄色(yellow)



OLG IO-Link警示灯 I/O Link Signal Light

订购型号 示例(order eg.):

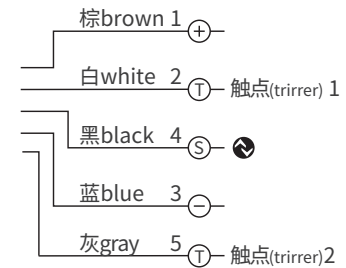
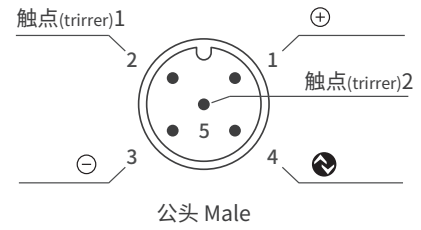
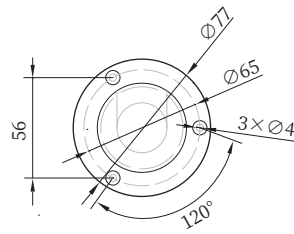
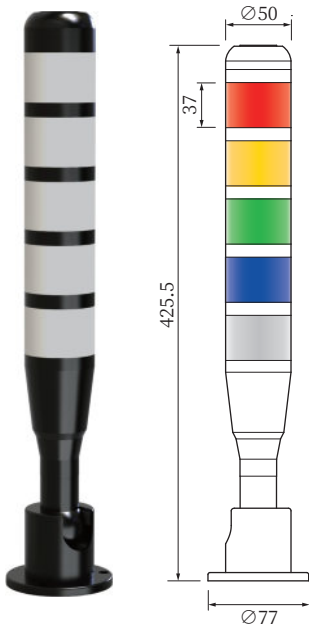


Legende:

>RT< = flashing red slowly
 >>RT<< = rapidly flashing red
 >BUZ< = Buzzer intermitlent (1Hz)
 >>BUZ<<= Buzzer intermitlent (2.5Hz)
 All Trgger inputs have a delay -50 ms.
 Pre-sets can be defined via 10-Link.

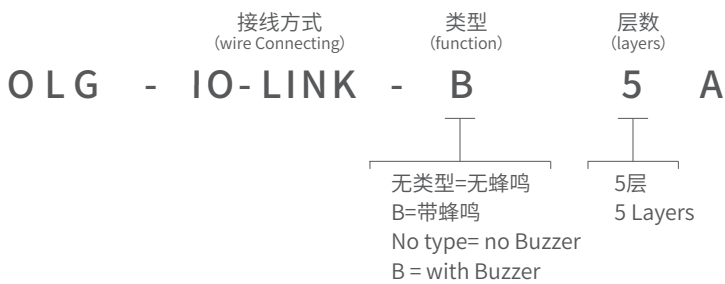
TRIG 1	TRIG 2	TRIG 3	Pre-Set	Factory setting (Seg 1/ Seg 2/ Seg 3/Seg 4/BUZ)			
				Var.4A		Var.B4A	
0	0	0	1	--	--	--	--
1	0	0	2	--	--	RT	--
0	1	0	3	--	GN	--	GN
1	1	0	4	--	--	YE	--
0	0	1	5	BU	--	--	BU
1	0	1	6	WH	--	--	WH
0	1	1	7	--	--	>RT<	>RT< >BUZ<
1	1	1	8	--	--	>RT<	>RT<>>BUZ<<

BK: 黑色(black)
 BN: 棕色(brown)
 BU: 蓝色(blue)
 GN: 绿色(green)
 GY: 灰色(gray)
 WH: 白色(white)
 YE: 黄色(yellow)



OLG IO-Link警示灯 I/O Link Signal Light

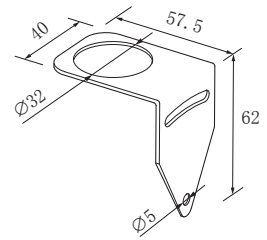
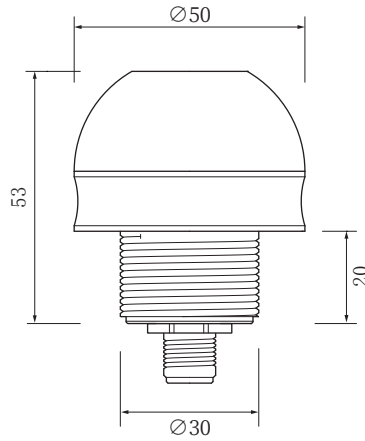
订购型号 示例(order eg.):



Legende:
>RT< = flashing red slowly
>>RT<< = rapidly flashing red
>BUZ< = Buzzer intermitlent (1Hz)
>>BUZ<<= Buzzer intermitlent (2.5Hz)
All Tngger inputs have a delay -50 ms.
Pre-sets can be defined via IO-Link.

TRIG 1	TRIG 2	TRIG 3	Pre-Set	Factory setting (Seg 1/ Seg 2/ Seg 3/Seg 4/Seg 5/BUZ)										
				Var.5A					Var.B5A					
0	0	0	1	--	--	--	--	--	--	--	--	--	--	--
1	0	0	2	--	--	--	--	RT	--	--	--	--	RT	--
0	1	0	3	--	--	GN	--	--	--	GN	--	--	--	--
1	1	0	4	--	BU	--	YE	--	--	--	--	YE	--	--
0	0	1	5	--	--	--	--	--	--	BU	--	--	--	--
1	0	1	6	WH	--	--	--	--	--	WH	--	--	--	--
0	1	1	7	--	--	--	--	>RT<	--	--	--	--	>RT<	>BUZ<
1	1	1	8	--	--	--	--	>RT<	--	--	--	--	>RT<>>BUZ<<	--

BK: 黑色(black)
BN: 棕色(brown)
BU: 蓝色(blue)
GN: 绿色(green)
GY: 灰色(gray)
WH: 白色(white)
YE: 黄色(yellow)



通用支架配件
Universal bracket accessories

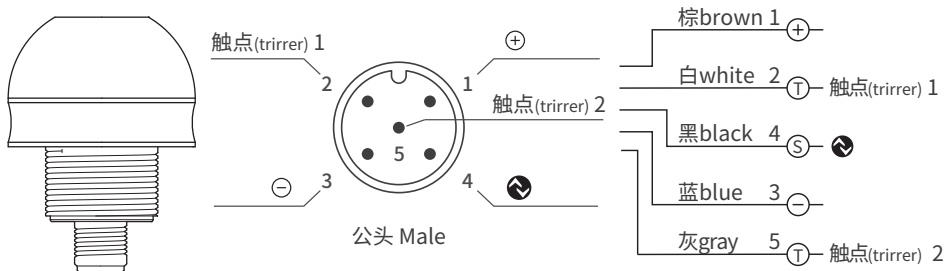
- IP69k
- 24V DC
- RYG
- M12
- 0.5m
- +55 / -25
- 寿命 life 50000h
- No screwdriver
- 360°

O50 IO-Link警示灯 I/O Link Signal Light

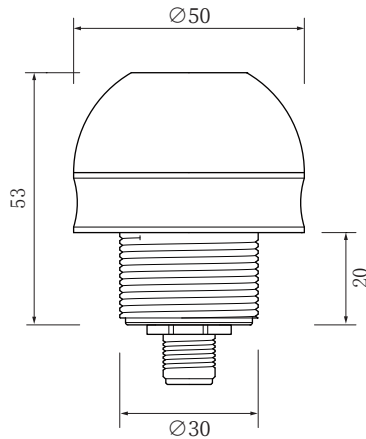
订购型号 示例(order eg.):

接线方式
(wire Connecting)

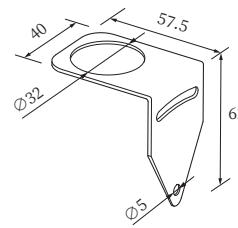
O50 - IO - Link - A



预设(Pre-Sets) / 出厂设置(factory setting)		
触点 1 (trirrer 1)	触点 2 (trirrer 2)	颜色 (color)
Lo	Lo	无(off)
Hi	Lo	红LED (red LED)
Lo	Hi	绿LED (green LED)
Hi	Hi	黄LED (yellow LED)



- 触摸操作, 便于提高生产效率
- 优质LED光源, 使用寿命长, 节能环保
- 易于安装, 坚固耐用, 全密封, 防护等级IP69K
- Touch operation, easy to improve production efficiency
- High-quality LED light source, long service life, energy saving and environmental protection
- Easy to install, durable, fully sealed, protection class IP69K

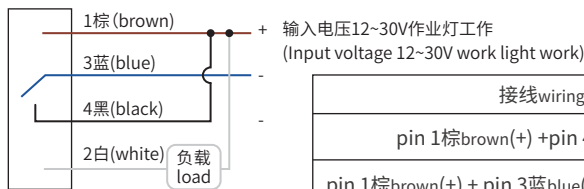
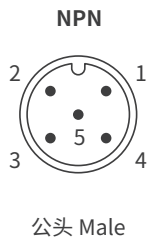
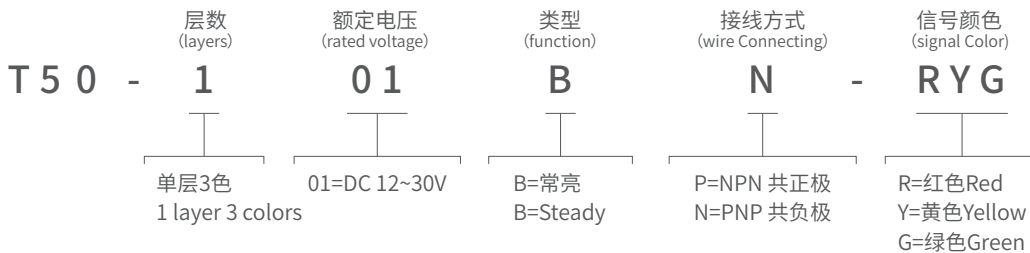


通用支架配件
Universal bracket accessories

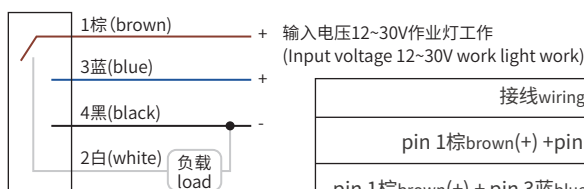
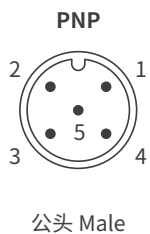


T50 触摸警示灯 Touch Signal Light

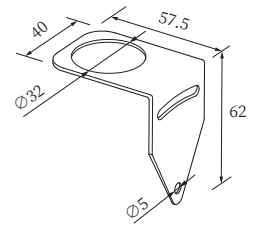
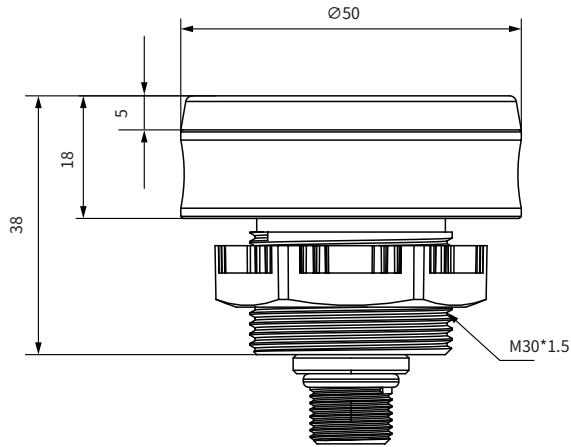
订购型号 示例(order eg.):



接线wiring	触摸前before touch	触摸时touch
pin 1棕brown(+) + pin 4黑black(-)	无	● 红red LED
pin 1棕brown(+) + pin 3蓝blue(-)+pin 4黑black(-)	● 绿green LED	● 黄yellow LED



接线wiring	触摸前before touch	触摸时touch
pin 1棕brown(+) + pin 4黑black(-)	无	● 红red LED
pin 1棕brown(+) + pin 3蓝blue(+)+pin 4黑black(-)	● 绿green LED	● 黄yellow LED

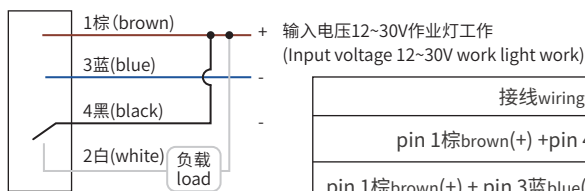
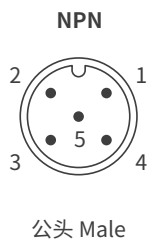
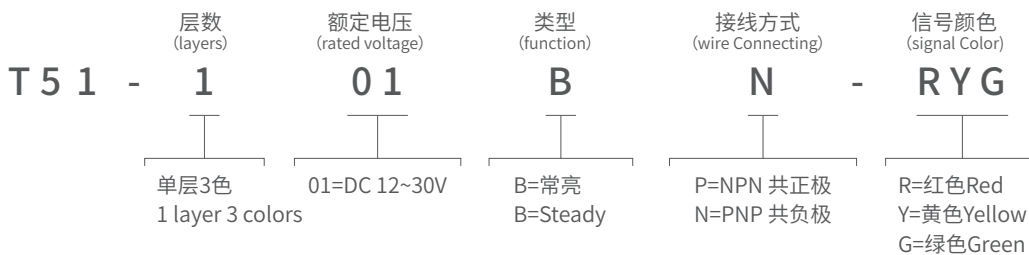


通用支架配件
Universal bracket accessories

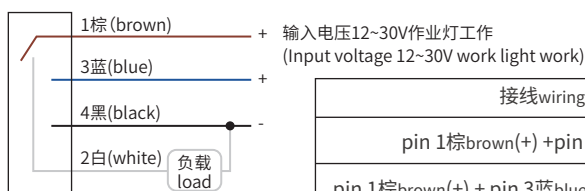
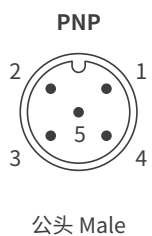


T51 触摸警示灯 Touch Signal Light

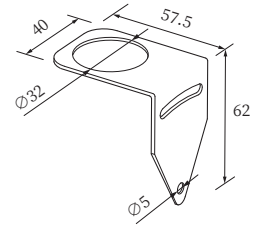
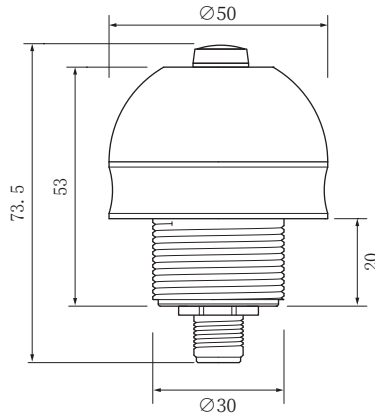
订购型号 示例(order eg.):



接线wiring	触摸前before touch	触摸时touch
pin 1棕brown(+) + pin 4黑black(-)	无	● 红red LED
pin 1棕brown(+) + pin 3蓝blue(-) + pin 4黑black(-)	● 绿green LED	● 黄yellow LED



接线wiring	触摸前before touch	触摸时touch
pin 1棕brown(+) + pin 4黑black(-)	无	● 红red LED
pin 1棕brown(+) + pin 3蓝blue(+) + pin 4黑black(-)	● 绿green LED	● 黄yellow LED



通用支架配件
Universal bracket accessories

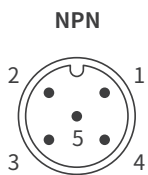
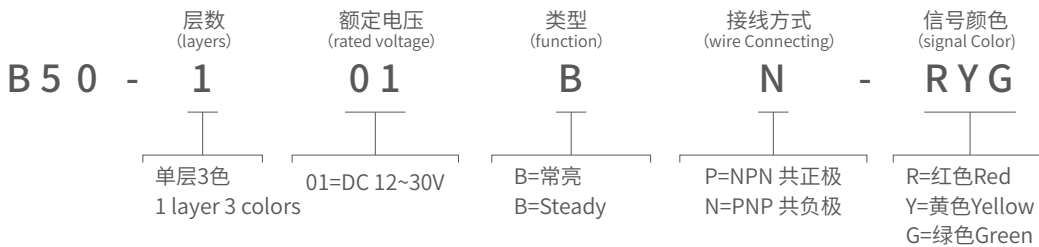
- 压动式按钮设计, 便于提高生产效率
- 不锈钢按钮, 优质LED光源, 使用寿命长, 节能环保
- IP67防护等级, 坚固耐用, 易于安装

- Push button design, easy to improve production efficiency
- Stainless steel button, high quality LED light source, long service life, energy saving and environmental protection
- IP67 protection grade, durable and easy to install

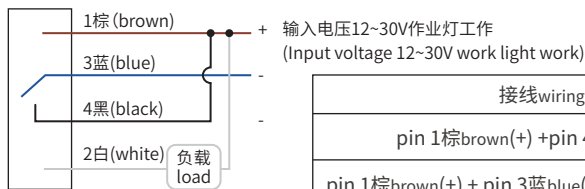


B50压动按钮指示灯 Push Button Signal Light

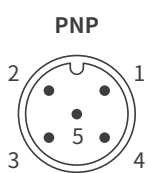
订购型号 示例(order eg.):



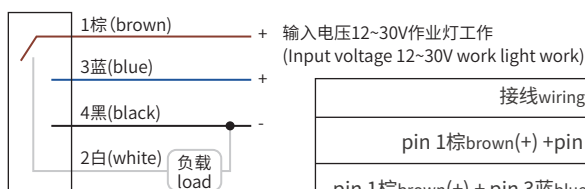
公头 Male



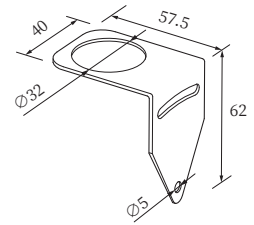
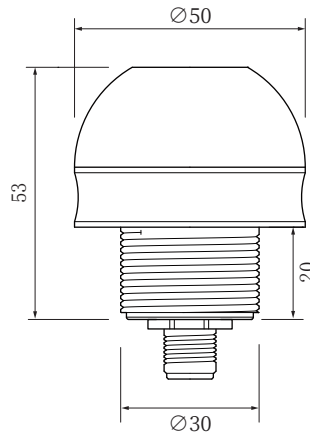
接线wiring	按动前 before pressing	按动后 after pressing
pin 1棕brown(+) + pin 4黑black(-)	无	● 红red LED
pin 1棕brown(+) + pin 3蓝blue(-) + pin 4黑black(-)	● 绿green LED	● 黄yellow LED



公头 Male



接线wiring	按动前 before pressing	按动后 after pressing
pin 1棕brown(+) + pin 4黑black(-)	无	● 红red LED
pin 1棕brown(+) + pin 3蓝blue(+) + pin 4黑black(-)	● 绿green LED	● 黄yellow LED

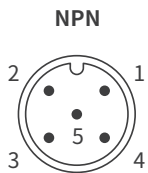
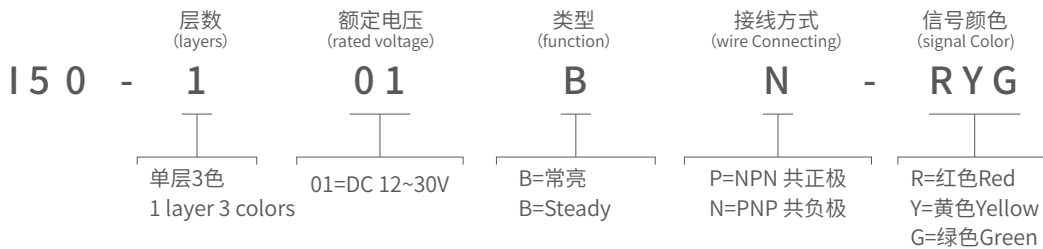


通用支架配件
Universal bracket accessories

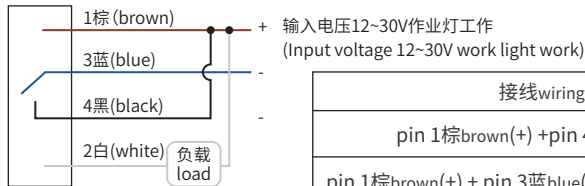
- 12-30 VDC
- RYG
- M12
- 0.5m
- +55 -25
- 寿命 50000h
- 无符号
- 360°

150 红外线指示灯 Infrared Signal Light

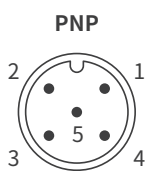
订购型号 示例 (order eg.):



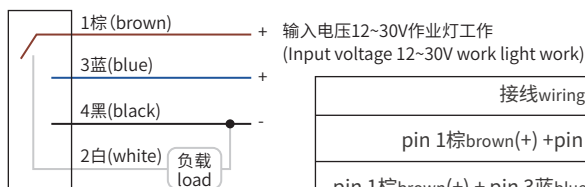
公头 Male



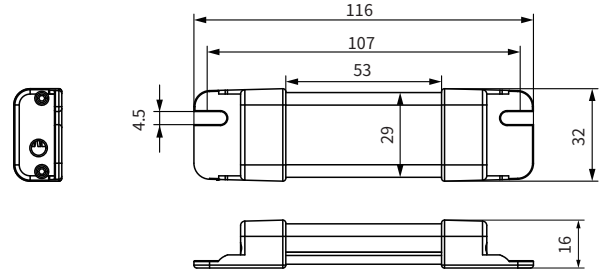
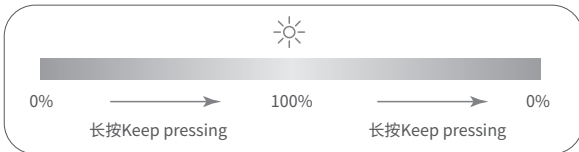
接线wiring	感应前 before induction	感应后 after induction
pin 1棕brown(+) + pin 4黑black(-)	无	● 红red LED
pin 1棕brown(+) + pin 3蓝blue(-) + pin 4黑black(-)	● 绿green LED	● 黄yellow LED



公头 Male



接线wiring	感应前 before induction	感应后 after induction
pin 1棕brown(+) + pin 4黑black(-)	无	● 红red LED
pin 1棕brown(+) + pin 3蓝blue(+)+pin 4黑black(-)	● 绿green LED	● 黄yellow LED



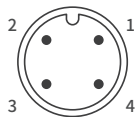
正白

- IP23
- 10~30 VDC
- 调光
- 6000k 6500k
- III
- M12
- 0.5m
- >80
- +55 -25
- 寿命 Life 50000h
- 无工具安装

TLS 触摸开关调光控制器 Touch Switch Dimmer Controller

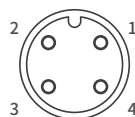
- 触摸操作, 长按调光, 便于提高生产效率;
- 优质LED光源, 使用寿命长, 节能环保;
- 易于安装, 坚固耐用;
- 最大输出电流可达4A。
- Touch operation, long press dimming, easy to improve productivity;
- High-quality LED light source, long service life, energy saving and environmental protection;
- Easy to install, durable;
- Maximum output current is up to 4A.

公头-输入
Male-Input



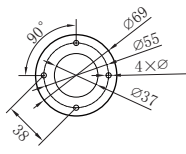
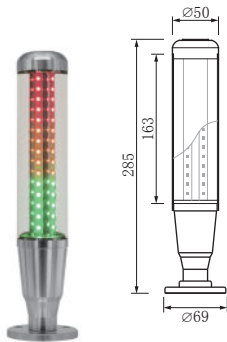
端口ports	连接wiring
pin 1棕(brown)	10~30DC
pin 2白(white)	不连接(not connected)
pin 3蓝(blue)	公共线(negative pole)
pin 4黑(black)	不连接(not connected)

母头-输出
Female-Output

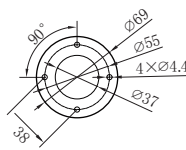
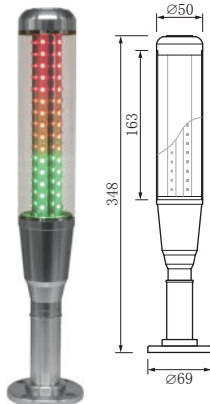


端口ports	连接wiring		
	开/关 (L-2型) On/Off (L-2 type)	双线 (P2型) Two-line (type P2)	3线 (P1型) 3-wire (P1 type)
pin 1棕(brown)	10~30V DC	宽脉调制(PWM)输出 Wide pulse modulation (PWM) outputs	10~30V DC
pin 2白(white)	不连接 (not connected)	不连接 (not connected)	不连接 (not connected)
pin 3蓝(blue)	公共线 (negative pole)	公共线 (negative pole)	公共线 (negative pole)
pin 4黑(black)	不连接 (not connected)	不连接 (not connected)	宽脉调制(PWM)输出 Wide pulse modulation (PWM) outputs

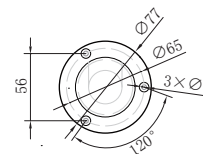
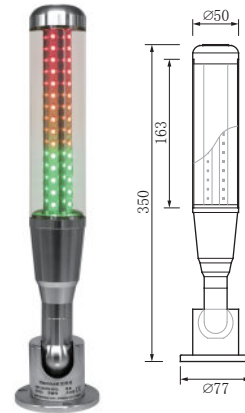
OMI



OMJ



OMC



OM USB系列LED多功能警示灯 LED Multi-Functional Signal Light

结合高端通讯技术, 构建适合智能工厂的产品
 不需要另外的电源, 只连接USB电缆, 利用电脑的应用程序控制的LED
 指示灯
 采用高辨识能力强的光源, 鲜艳醒目, 远距离可视范围
 高品质铝耐热抗冲击, 安装简便

· Combining high-end communication technology to build products
 suitable for intelligent factories
 · No additional power supply is required, only USB cable is connected, and
 LED indicator controlled by computer application program is used
 · The light source with high identification ability is used, which is bright and
 eye-catching, and has a long range of visibility
 · High quality aluminum, heat resistant and impact resistant, easy to install

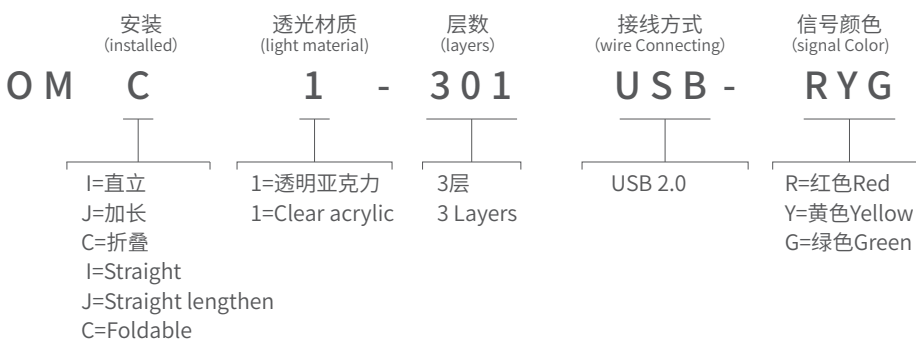
工作场所:

支持操作系统 (32位/64位): Windows XP、Win 7、Win 10
 支持支持库: VC++、VB、Delphi (仅32位)、C# (仅64位)
 USB通讯电缆 VCC, D-, D+, GND, Shield
 支持USB 1.1接口以上主办环境上可以使用
 利用电脑USB 2.0接口接口电源 DC5V/500mA可以使用2端口
 驱动程序下载链接:
<http://www.ftdichip.com/Documents/InstallGuides.htm>

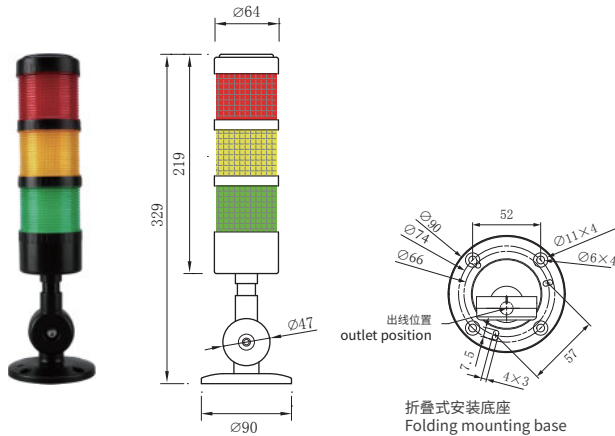
Workplace:

Supported operating systems (32-bit/64 bit): Windows XP, Win 7, Win 10
 Supporting libraries: VC++, VB, Delphi (only 32 bits), C# (only 64 bits)
 USB communication cable VCC, D-, D+, GND, Shield
 Support USB 1.1 interface or above, which can be used in host environment
 Two ports can be used with computer USB 2.0 interface power supply
 DC5V/500mA
 Driver download link:
<http://www.ftdichip.com/Documents/InstallGuides.htm>

订购型号 示例 (order eg.):

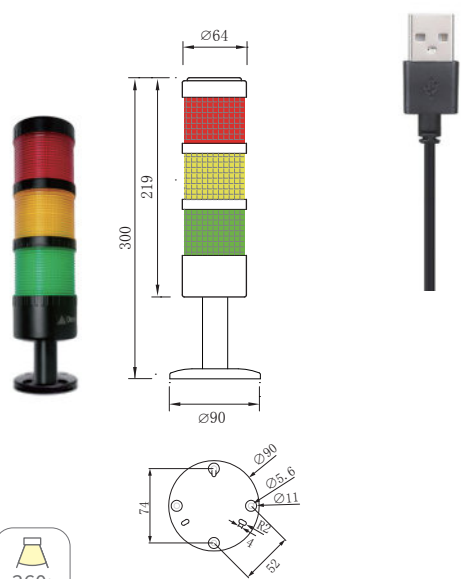


OMI



折叠式安装底座
Folding mounting base

OMC



MSL USB系列LED多功能警示灯 LED Multi-Functional Signal Light

结合高端通讯技术, 构建适合智能工厂的产品
不需要另外的电源, 只连接USB电缆, 利用电脑的应用程序控制的LED指示灯
采用高辨识能力强的光源, 鲜艳醒目, 远距离可视范围
高品质铝耐热抗冲击, 安装简便

· Combining high-end communication technology to build products suitable for intelligent factories
· No additional power supply is required, only USB cable is connected, and LED indicator controlled by computer application program is used
· The light source with high identification ability is used, which is bright and eye-catching, and has a long range of visibility
· High quality aluminum, heat resistant and impact resistant, easy to install

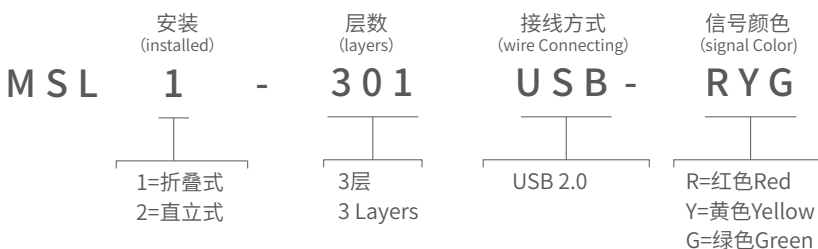
工作场所:

支持操作系统 (32位/64位): Windows XP、Win 7、Win 10
支持支持库: VC++、VB、Delphi (仅32位)、C# (仅64位)
USB通讯电缆 VCC, D-, D+, GND, Shield
支持USB 1.1接口以上主办环境上可以使用
利用电脑USB 2.0接口接口电源 DC5V/500mA可以使用2端口驱动程序下载链接:
<http://www.ftdichip.com/Documents/InstallGuides.htm>

Workplace:

Supported operating systems (32-bit/64 bit): Windows XP, Win 7, Win 10
Supporting libraries: VC++, VB, Delphi (only 32 bits), C# (only 64 bits)
USB communication cable VCC, D-, D+, GND, Shield
Support USB 1.1 interface or above, which can be used in host environment
Two ports can be used with computer USB 2.0 interface power supply DC5V/500mA
Driver download link:
<http://www.ftdichip.com/Documents/InstallGuides.htm>

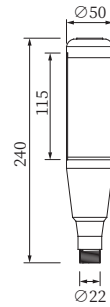
订购型号 示例 (order eg.):



OBS1



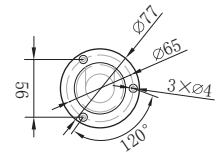
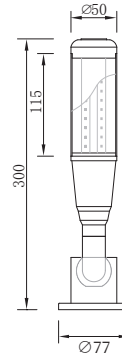
OBS2



OSC1



OSC2



USB系列LED多功能警示灯 LED Multi-Functional Signal Light

- 结合高端通讯技术, 构建适合智能工厂的产品
- 不需要另外的电源, 只连接USB电缆, 利用电脑的应用程序控制的LED指示灯
- 采用高辨识能力强的光源, 鲜艳醒目, 远距离可视范围
- 高品质铝耐热抗冲击, 安装简便

- Combining high-end communication technology to build products suitable for intelligent factories
- No additional power supply is required, only USB cable is connected, and LED indicator controlled by computer application program is used
- The light source with high identification ability is used, which is bright and eye-catching, and has a long range of visibility
- High quality aluminum, heat resistant and impact resistant, easy to install

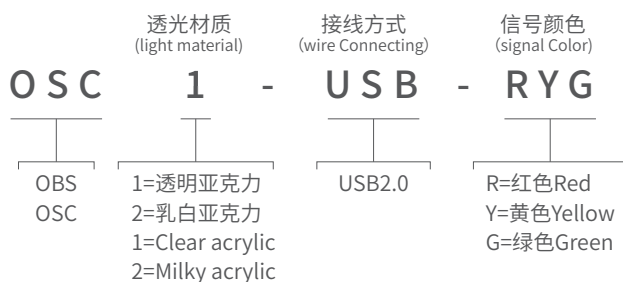
工作场所:

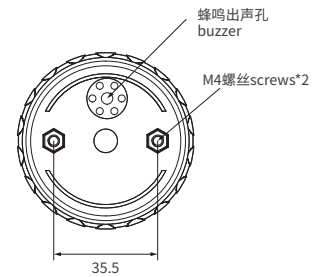
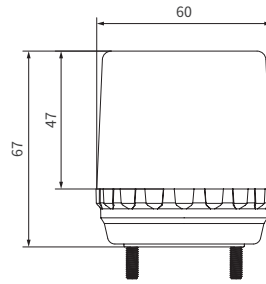
支持操作系统 (32位/64位) : Windows XP、Win 7、Win 10
 支持支持库: VC++、VB、Delphi (仅32位)、C# (仅64位)
 USB通讯电缆 VCC, D-, D+, GND, Shield
 支持USB 1.1接口以上主环境上可以使用
 利用电脑USB 2.0接口接口电源 DC5V/500mA可以使用2端口
 驱动程序下载链接:
<http://www.ftdichip.com/Documents/InstallGuides.htm>

Workplace:

Supported operating systems (32-bit/64 bit): Windows XP, Win 7, Win 10
 Supporting libraries: VC++, VB, Delphi (only 32 bits), C# (only 64 bits)
 USB communication cable VCC, D -, D+, GND, Shield
 Support USB 1.1 interface or above, which can be used in host environment
 Two ports can be used with computer USB 2.0 interface power supply DC5V/500mA
 Driver download link:
<http://www.ftdichip.com/Documents/InstallGuides.htm>

订购型号 示例 (order eg.):





OS60 USB LED多功能警示灯 LED Multi-Functional Signal Light

- 支持操作系统 (32位/64位) : Windows XP、Win 7、Win 10
- 支持支持库: VC++, VB, Delphi (仅32位)、C# (仅64位)
- USB通讯电缆 VCC, D-, D+, GND, Shield
- 支持USB 1.1接口以上主办环境上可以使用
- 利用电脑USB 2.0接口电源 DC5V/500mA可以使用2端口
- 驱动程序下载链接:
<http://www.ftdichip.com/Documents/InstallGuides.htm>

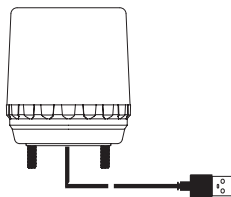
- Supported operating systems (32-bit/64 bit): Windows XP, Win 7, Win 10.
- Supporting libraries: VC++, VB, Delphi (only 32 bits), C # (only 64 bits).
- USB communication cable VCC, D -, D+, GND, Shield.
- Support USB 1.1 interface or above, which can be used in host environment.
- Two ports can be used with computer USB 2.0 interface power supply DC5V/500mA
- Driver download link:
<http://www.ftdichip.com/Documents/InstallGuides.htm>

应用场所:

适用于终端设备: 如显示自助收银机状态; 组装于设备, 显示打印机, 电脑控制设备等设备的状态; 连接于电脑, 对联动软件的异常发出警报等。

Application:

Apply to terminal equipment: such as displaying the status of self-service cash registers; assembled in the equipment, displaying the status of printer, computerized control equipment, etc.; connected to computer, to alert the linkage software of and connecting to computer to issue alarms for abnormalities in the linkage software, etc.



订购型号 示例(order eg.):

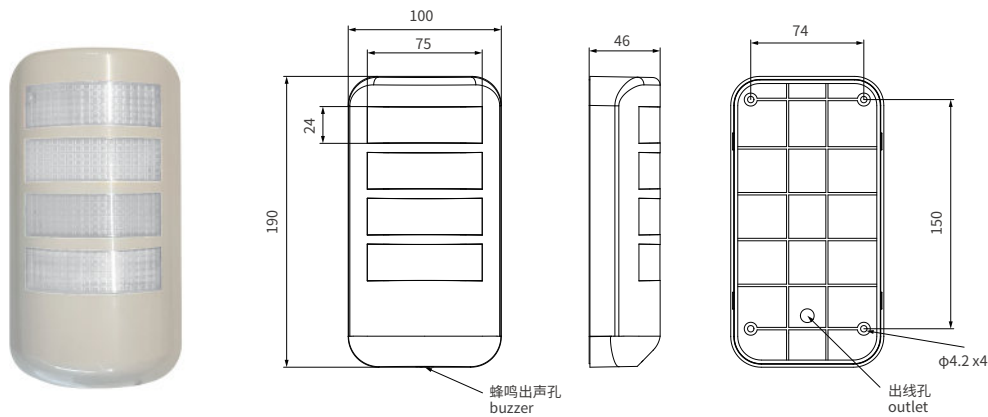
OS60 - USB - 7 colours

接线方式 (wire Connecting) 信号颜色 (signal Color)

USB2.0

R=红色Red
Y=黄色Yellow
G=绿色Green
B=蓝色Blue
C=青色Cyan
P=紫色Purple
W=白色White

发送命令(开) Send command (on)	光色 Signal Colour	发送命令(关) Send command (off)
7E AA 01 01 EF	红色red	7E AA 01 00 EF
7E AA 02 01 EF	绿色green	7E AA 02 00 EF
7E AA 03 01 EF	蓝色blue	7E AA 03 00 EF
7E AA 04 01 EF	黄色yellow	7E AA 04 00 EF
7E AA 05 01 EF	青色cyan	7E AA 05 00 EF
7E AA 06 01 EF	紫色purple	7E AA 06 00 EF
7E AA 00 01 EF	白色white	7E AA 00 00 EF
7E BB 00 01 EF	蜂鸣器Buzzer	7E BB 00 00 EF



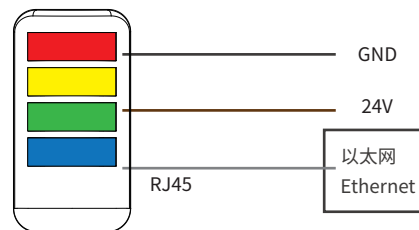
OLSY 以太网多层信号灯 Ethernet Multi-Function Signal Light

- 工作电压范围: 12VDC~30VDC
- 额定电流: 350mA (LED全亮、蜂鸣器打开状态);
- 通电初始化时间: 1秒;
- LED发光颜色: 24位真彩;
- 控制方式: 基于TCP/IP的简单应用协议, 基于TCP/IP的MODBUS协议;
- 通信设置:
服务器IP地址: 192.168.1.10
简单应用端口: 1000
MODBUS端口: 502
- 使用环境温度: -25°C~+50°C
- 防护等级: IP23

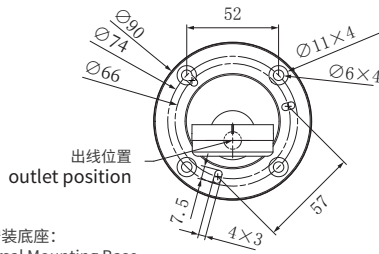
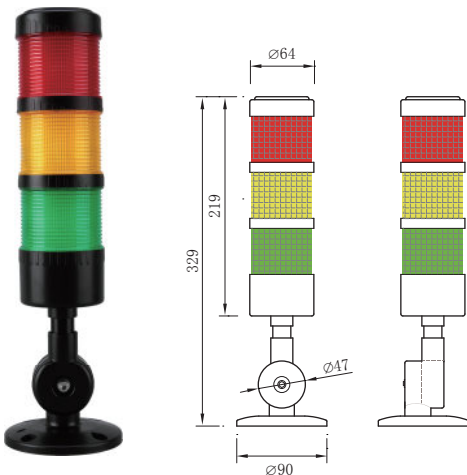
- Operating voltage range: 12VDC~30VDC
- Rated current: 350mA (LED fully illuminated, buzzer on state)
- Power-on initialization time: 1s
- LED light color: 24 bit true color
- Control mode: simple application protocol based on TCP/IP, MODBUS protocol based on TCP/IP
- Communication settings:
Server IP address: 192.168.1.10
Simple application port: 1000
MODBUS port: 502
- Use of environmental temperature: -25 °C ~ +50 °C
- Protection class: IP23

订购型号 示例 (order eg.):

OSLY - 1



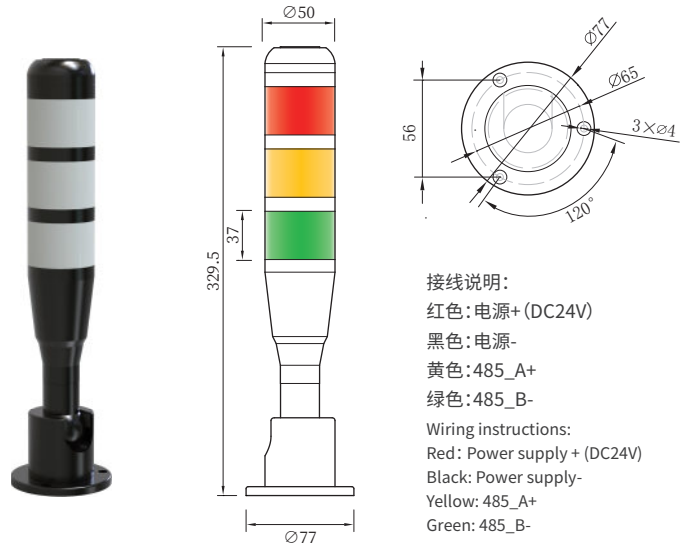
MSL1-301BN-RYG-RS485



通用安装底座:
Universal Mounting Base

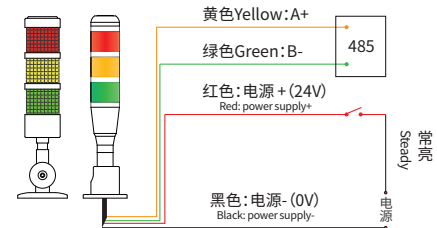


OLE2-301BN-RYG-RS485



接线说明:
红色: 电源+ (DC24V)
黑色: 电源-
黄色: 485_A+
绿色: 485_B-
Wiring instructions:
Red: Power supply + (DC24V)
Black: Power supply -
Yellow: 485_A+
Green: 485_B-

接线方式Wiring diagram:



RS485接口三色报警灯 LED Multi-Functional Signal Light

- 高效LED多功能信号灯,大大提高了远距离的可视性能
- 双反射镜构造加强LED光的传播,产生鲜明的彩色识别效果

- High-efficiency LED multi-function signal light greatly improves the long-distance visual performance
- The double-mirror structure strengthens the propagation of LED light and produces a vivid color recognition effect

通讯格式:

支持异步串口通讯模式,通过串口接受上位机发送的命令。

通讯标准(波特率): 9600 bps

数据位: 8

停止位: 1

校验位: none

流控制: none

Communication format:

Support asynchronous serial port communication mode, accept commands sent by the host computer through the serial port.

Communication standard (baud rate): 9600 bps

Data bits :8

Stop bit :1

Check Digit :none

Flow control :none

应用场所:

各类小型自动化设备、包装清洗设备、小型加工机床、中型数控机床、加工中心、塑料包装机械、印刷机械、实验室、精密检测设备、小型机械手臂,以及传送带、重型机械等需要做醒目报警指示的场所。

Application:

All kinds of small automation equipment, packaging cleaning equipment, small processing machine tools, medium-sized CNC machine tools, processing centers, plastic packaging machinery, printing machinery, laboratories, precision testing equipment, small robotic arms, conveyor belts, heavy machinery, etc. require eye-catching alarm instructions Place.

配件 Accessories

	<p>X型支架 X bracket</p>	<p>适用于AL60系列、OL60系列的安装 Suitable for installation of AL60 series and OL60 series.</p>
	<p>M12 连接线 M12 cable</p>	<p>M12 四芯连接线/1.5米 M12 four-core cable/1.5m M12 五芯连接线/1.5米 M12 five-core cable/1.5m M12 八芯连接线/1.5米 M12 eight-core cable/1.5m</p>
	<p>调光器 Light modulator</p>	<p>适用于FSLED系列 Suitable for installation of FSLED series</p>
	<p>适配器 Adapter</p>	<p>适用于SLED2磁座灯系列 Suitable for SLED2 magnetic seat lamp series</p>
	<p>通用支架 Universal bracket</p>	<p>φ23.5不锈钢L支架 φ23.5 stainless steel L bracket φ32不锈钢L支架 φ32 stainless steel L bracket</p>
	<p>D支架 D Bracket</p>	<p>QLED3系列D支架 60×36mm QLED3 series D bracket AL30系列D支架 43.6×28.8mm AL30 series D bracket</p>
	<p>连接杆 Connecting rod</p>	<p>适用于OM、OB、OS、OP、OH警示灯系列 Suitable for OM, OB, OS, OP, OH signal light series</p>



Otennlux®

Safty. Durable. Smart



广州市欧登照明科技有限公司
Otennlux Lighting Technology Co.,LTD

地址:广州市番禺区石壁街屏山一村中兴工业区兴达路4号(车间二)301

Add:301(workshop 2)No.4,Xingda Road,Pingshan Yi Cun

Shibi Street, Panyu District,Guangzhou,China

电话Tel: +86 20 84775896

传真Fax: +86 20 84775899

网站Web: www.otennlux.com

邮件Email:sales@otennlux.com