



COMPANY **PRODUCT CATALOG**

www.kenturn.com.tw



CNC MACHINING CENTER SPINDLES

CNC TURNING CENTER SPINDLES

CNC GRINDING SPINDLES

COMPANY PROFILE

ABOUT US

KENTURN is our only brand, Made in Taiwan and deserves your trust.

Kenturn has been designing, manufacturing, fabricating and marketing machine tool spindles of all kinds since 1983. The company prides itself on intensively studying spindle design and producing innovative technology. It is always improving design and manufacturing teamwork. Kenturn's innovation and initiative guide its planning.

In the early days of the industry, the company developed the Kenturn precision spindle, establishing a unique level of quality. The company continued to progress by providing added value spindles, including Direct-Drive and Precision Built-in Spindles. The company's products immediately help customers maintain and resolve technological problems, and assist customers to reach their production goals.

MANUFACTURING

Over **35** years history

Exported to over **50** countries

90 % Grinding process made inside factory

Over **2400** set spindle capacity per month

Over **4000** kinds of spindle were made

Headquarter over **50000** m²

CERTIFICATION

OHSAS 18001



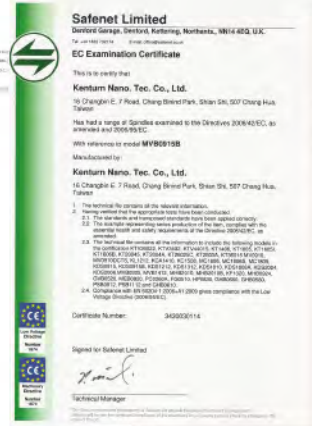
ISO 14001



ISO 9001



ISO 50001



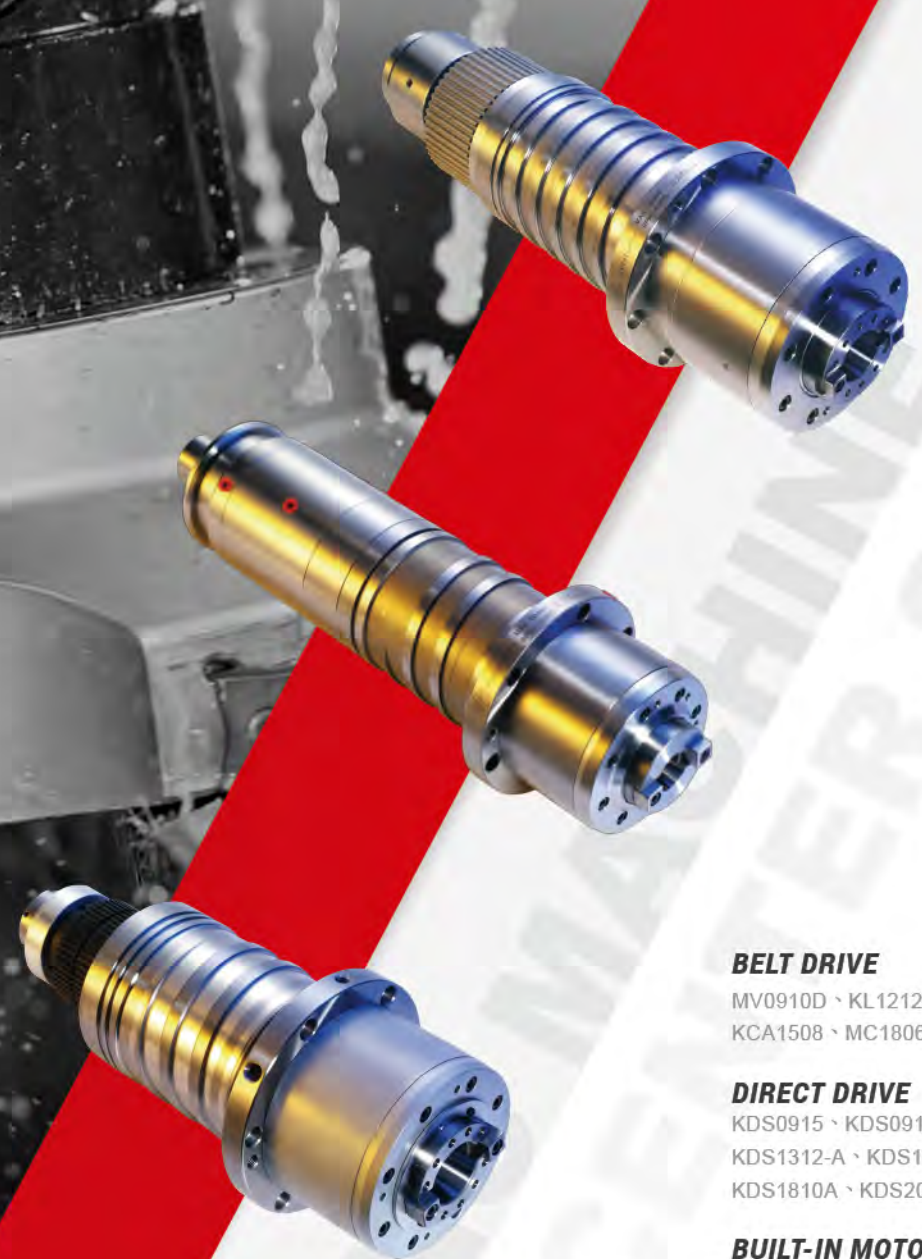
CE

EQUIPMENTS

Using state of the art instruments. Precision assembly techniques must pass High-Reliability test. The most advanced machinery finishing equipment featuring the best of western technology and own decades of finishing and manufacturing experience.

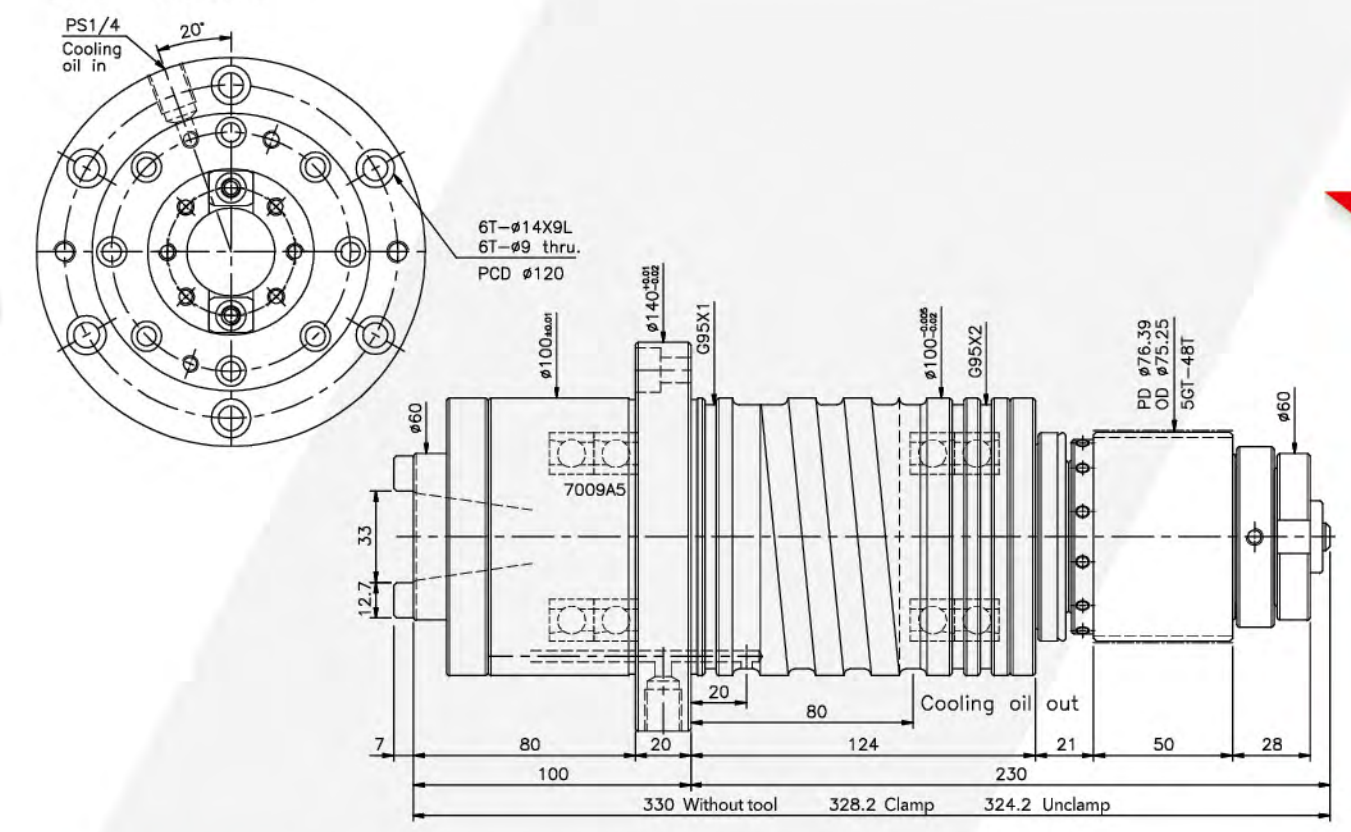


CNC MACHINING CENTER SPINDLES



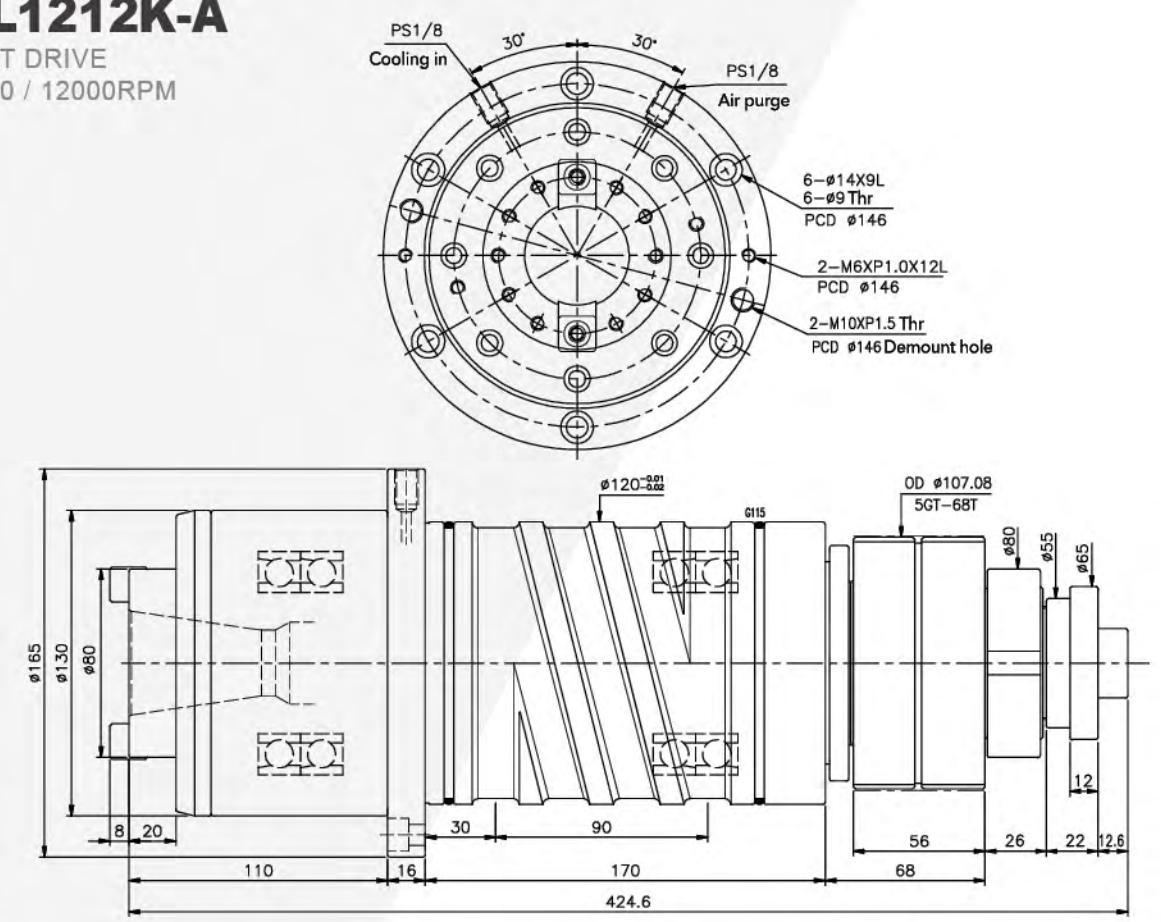
MV0910D

BELT DRIVE
BT30 / 15000RPM



KL1212K-A

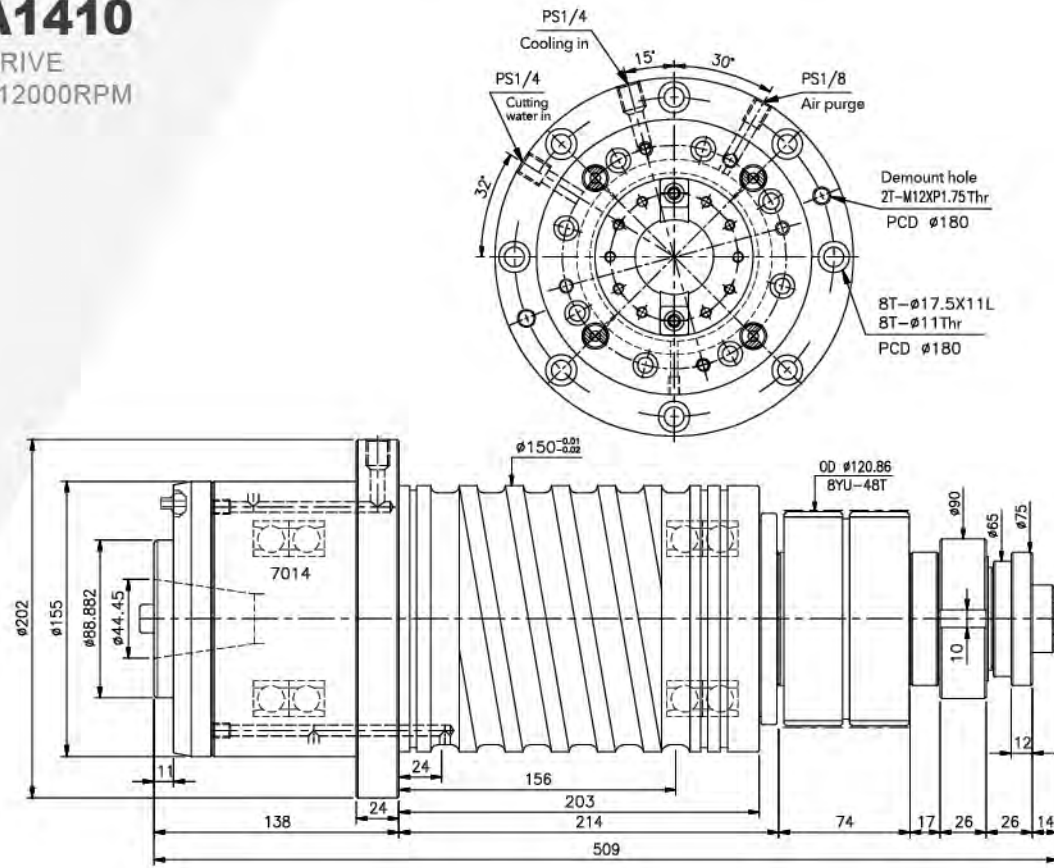
BELT DRIVE
BT40 / 12000RPM



- BELT DRIVE**
MV0910D \ KL1212K-A \ KCA1410 \ KCA1508 \ MC1806 \ MC1806S
- DIRECT DRIVE**
KDS0915 \ KDS0915B \ KDS1212 \ KDS1312-A \ KDS1512C \ KDS1810D \ KDS1810A \ KDS2006E
- BUILT-IN MOTOR**
MVB0925E \ MVB0925D \ MVB1318 \ MVB1420 \ GHB1012 \ MHB2010C
- GEAR SPINDLES**
KCG1410 \ KV2006E

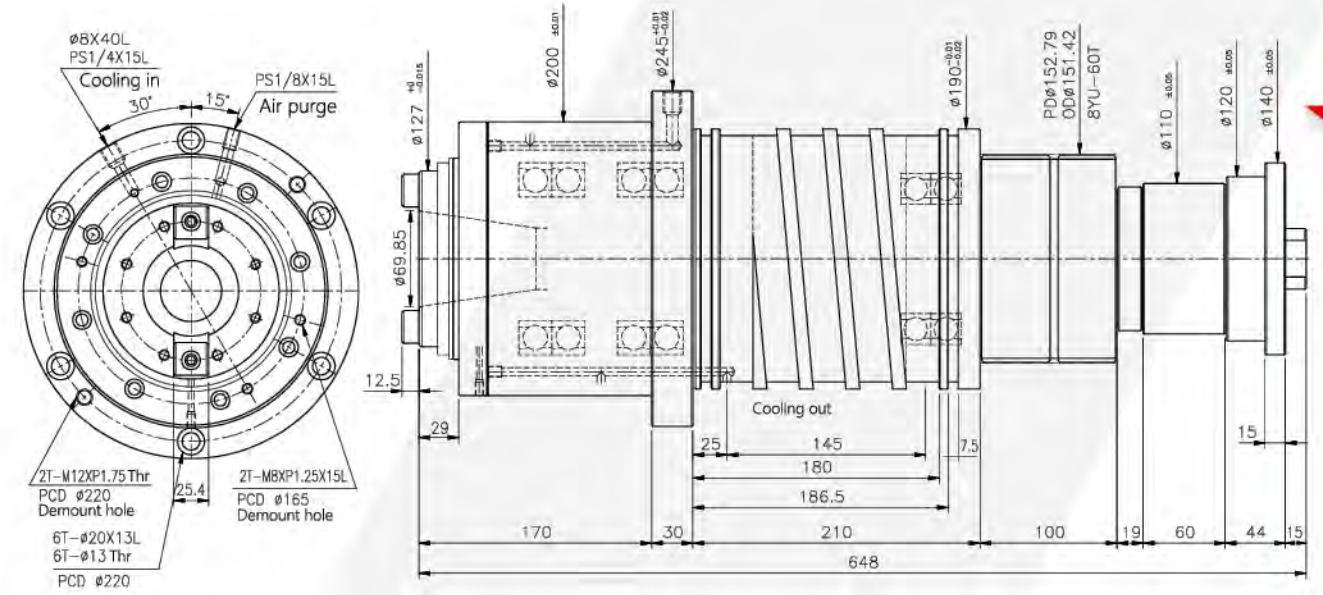
KCA1410

BELT DRIVE
BT40 / 12000RPM



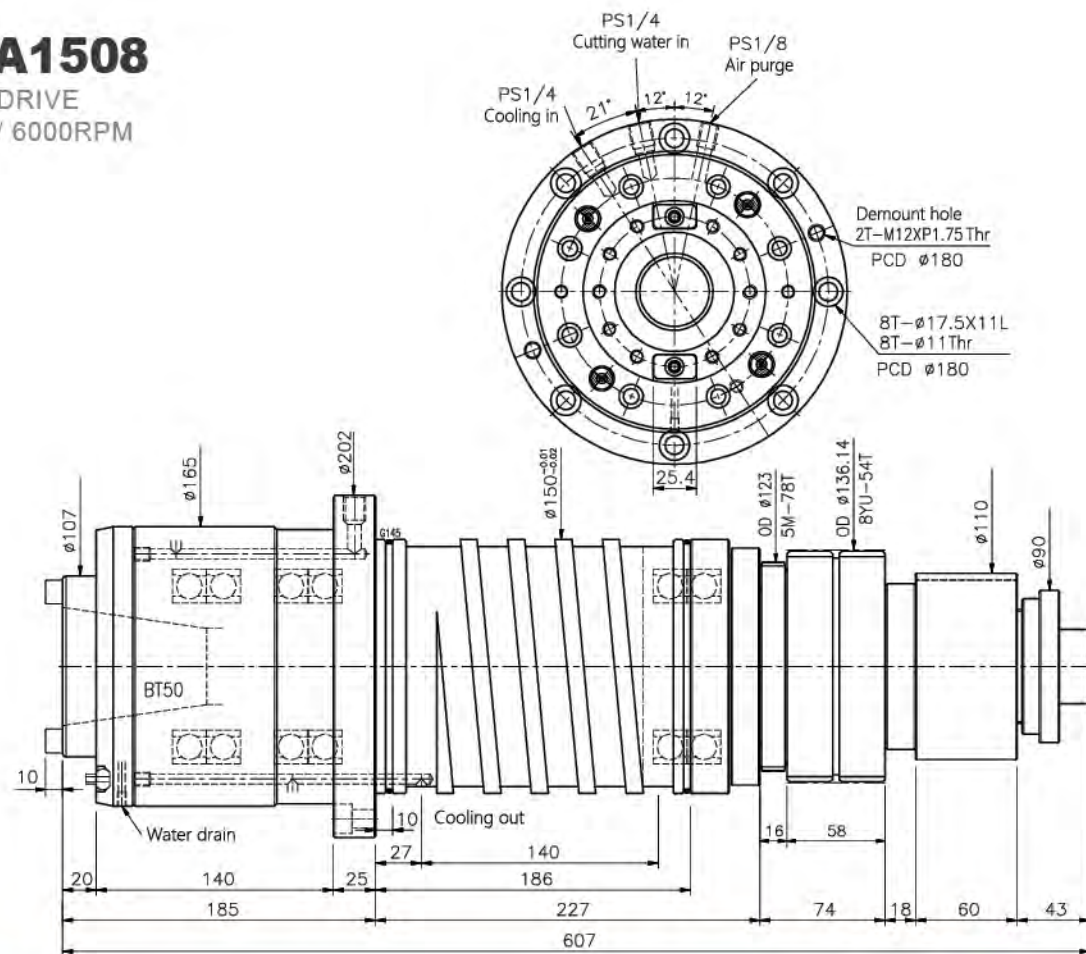
MC1806

BELT DRIVE
BT50 / 6000RPM



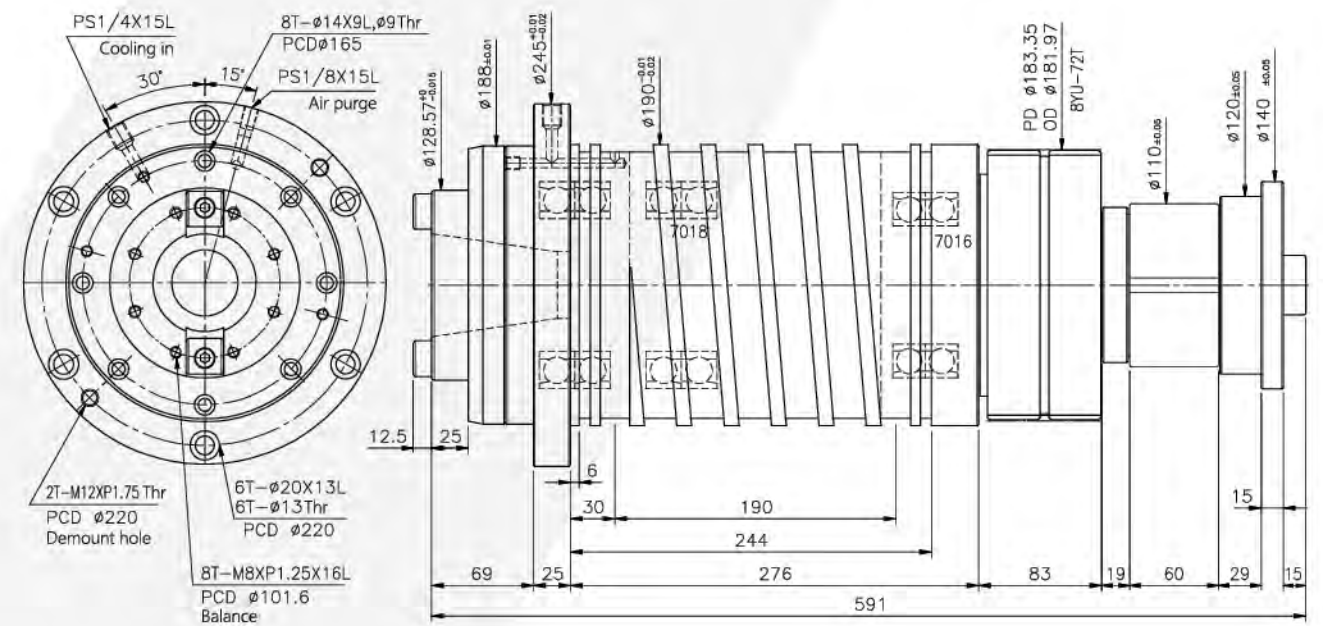
KCA1508

BELT DRIVE
BT50 / 6000RPM



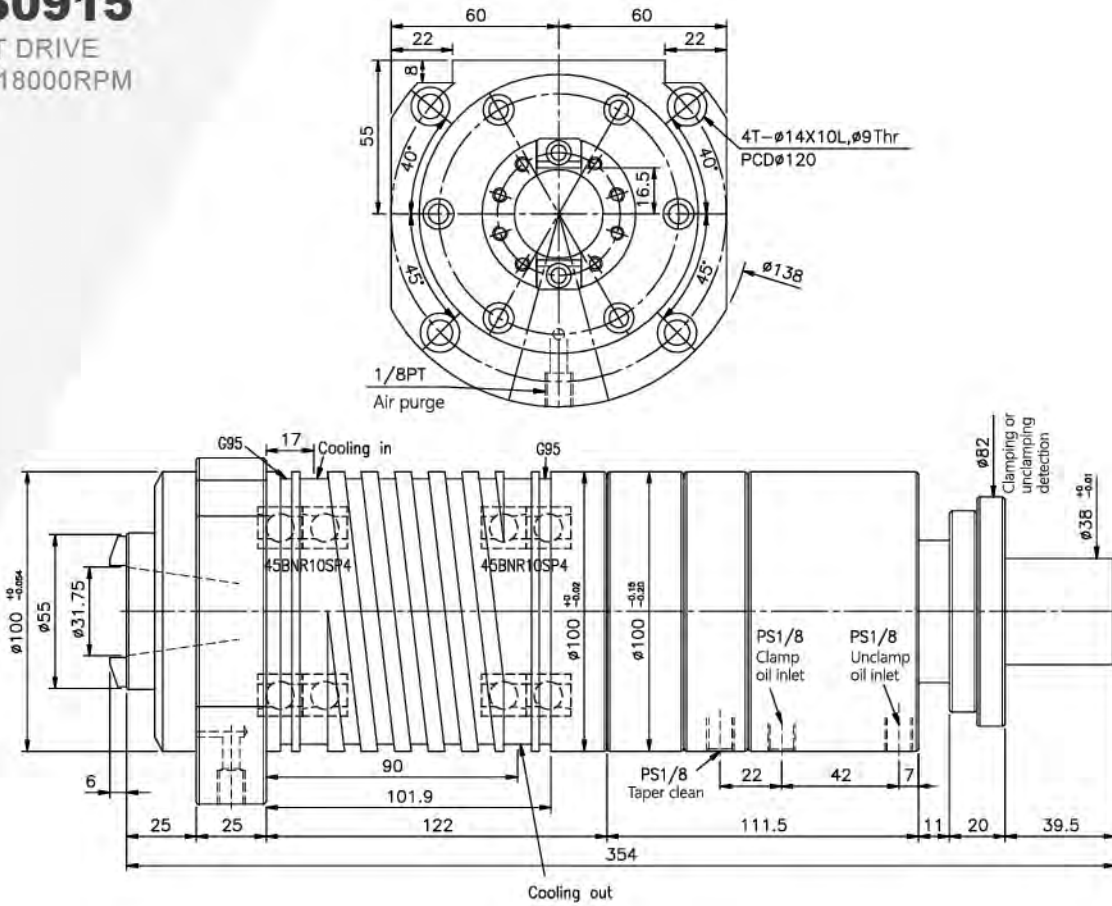
MC1806S

BELT DRIVE
BT50 / 6000RPM



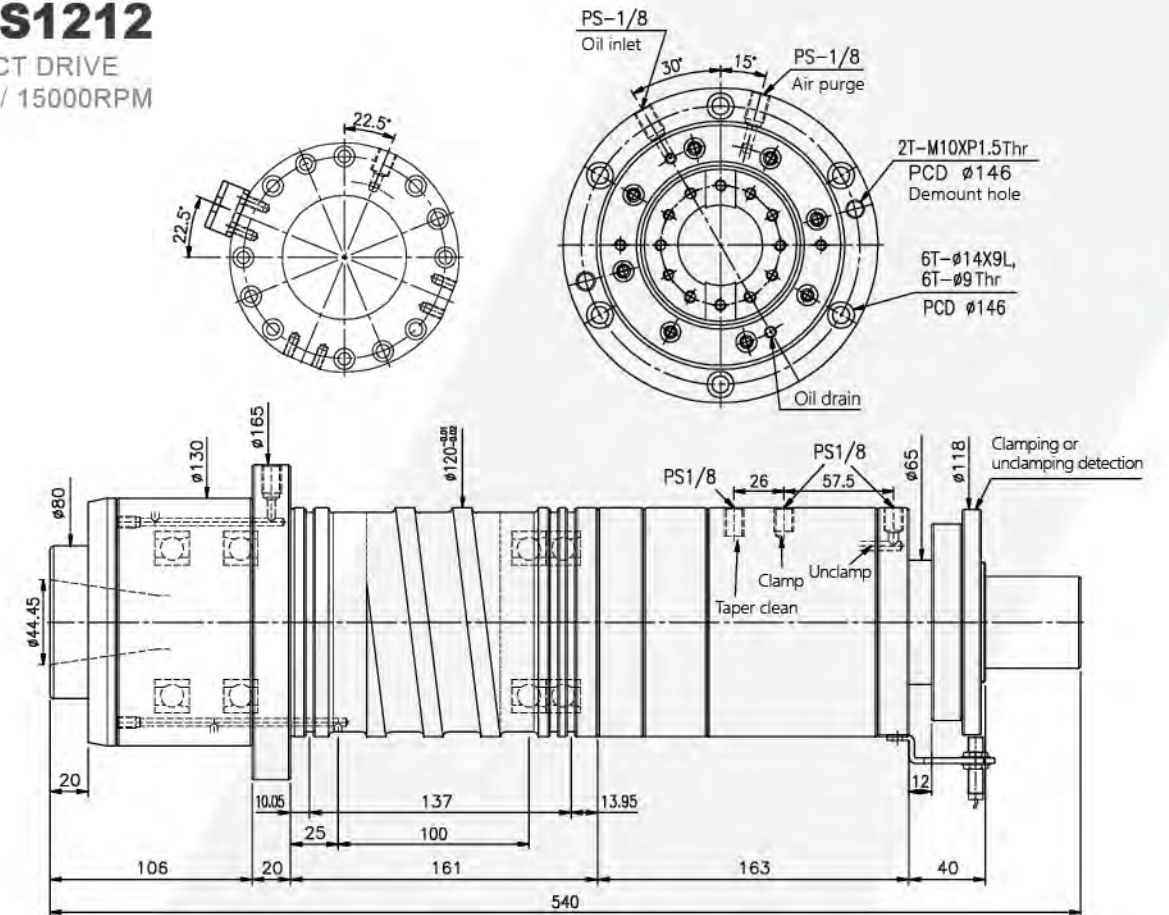
KDS0915

DIRECT DRIVE
BT30 / 18000RPM



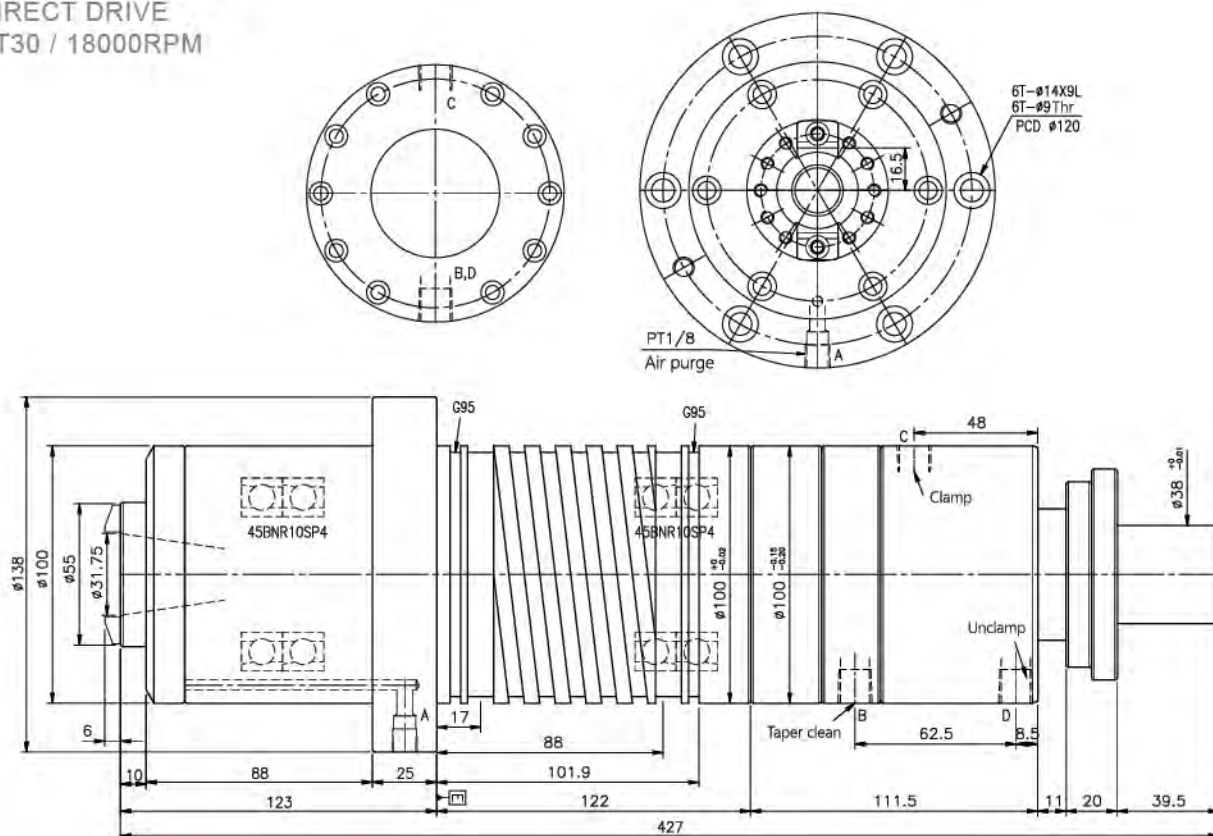
KDS1212

DIRECT DRIVE
BT40 / 15000RPM



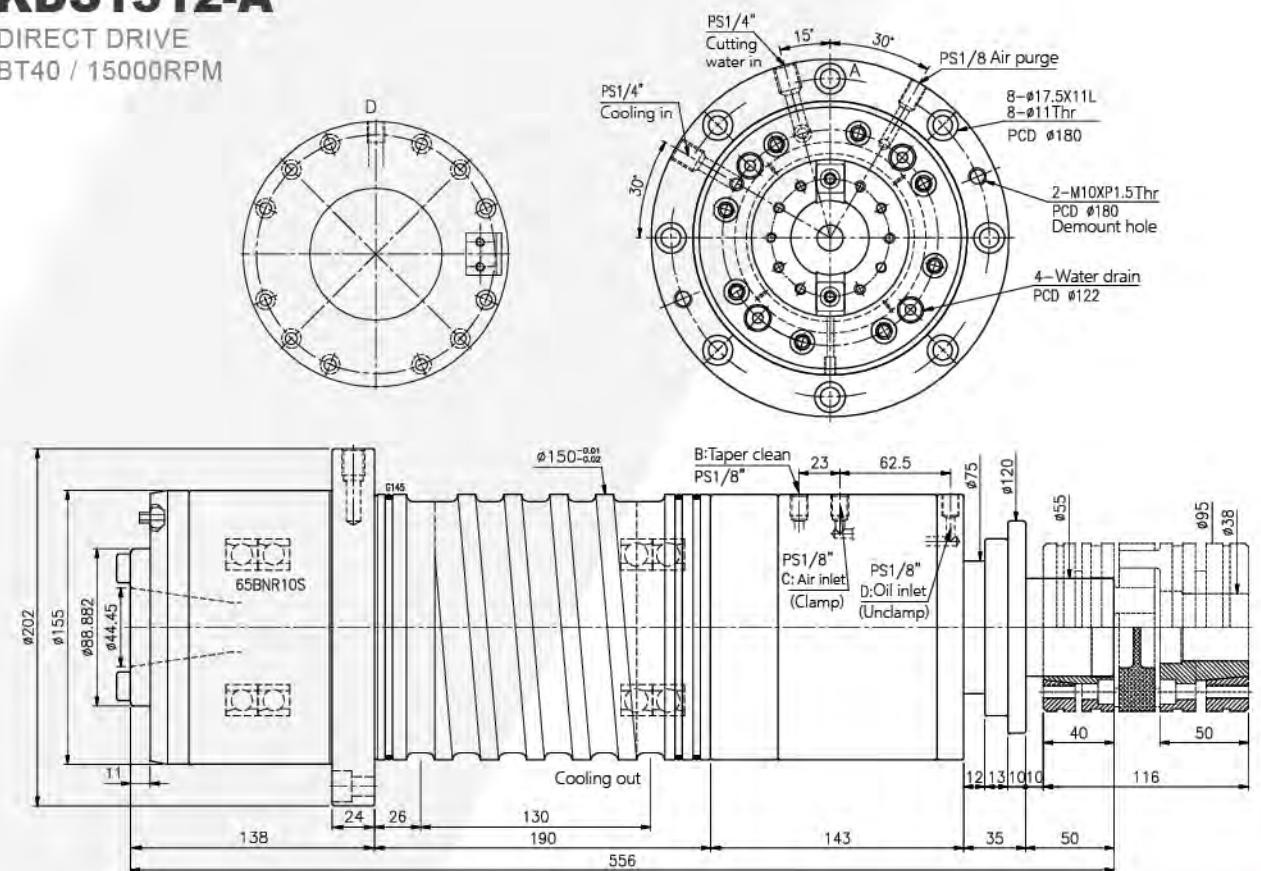
KDS0915B

DIRECT DRIVE
BT30 / 18000RPM



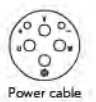
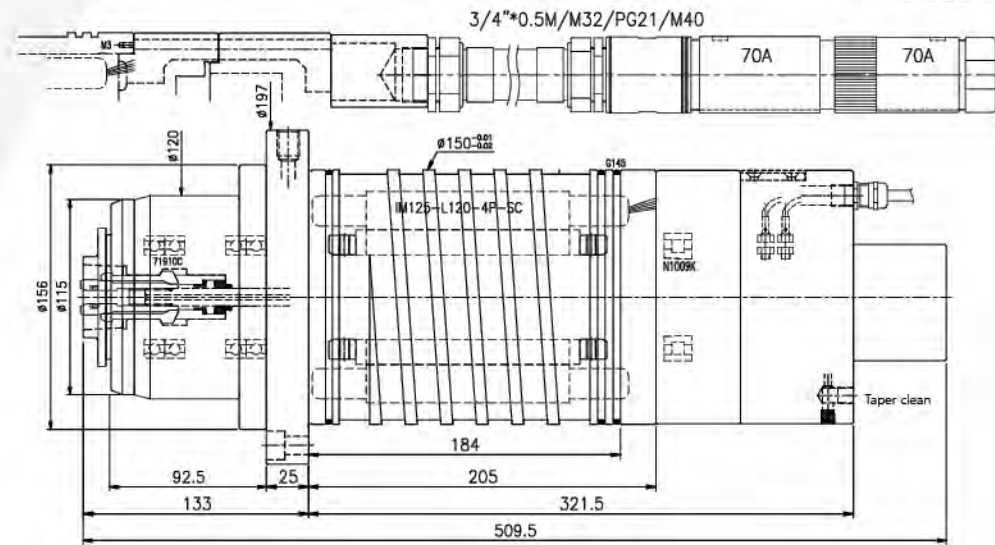
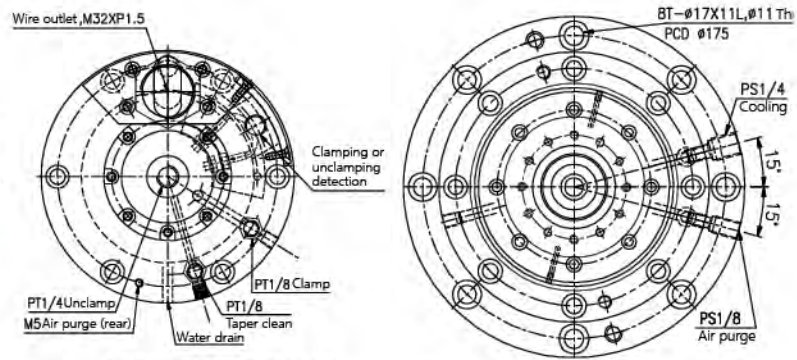
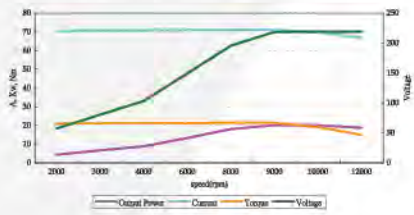
KDS1312-A

DIRECT DRIVE
BT40 / 15000RPM



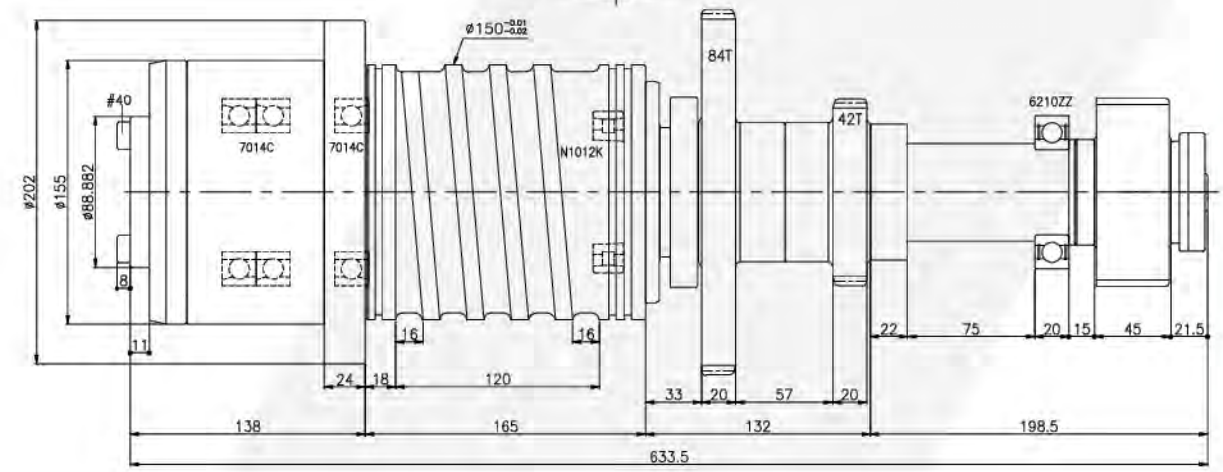
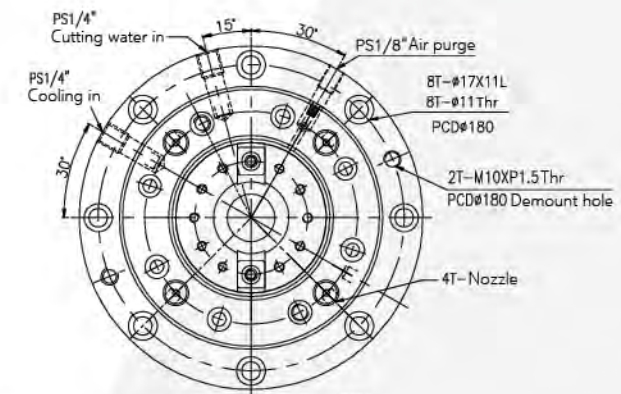
GHB1012

BUILT-IN MOTOR
HSK-A50 / 12000RPM



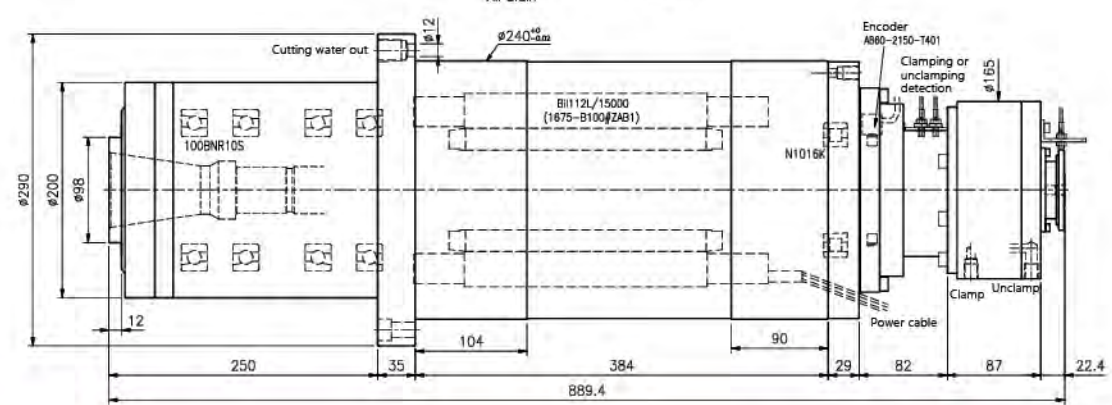
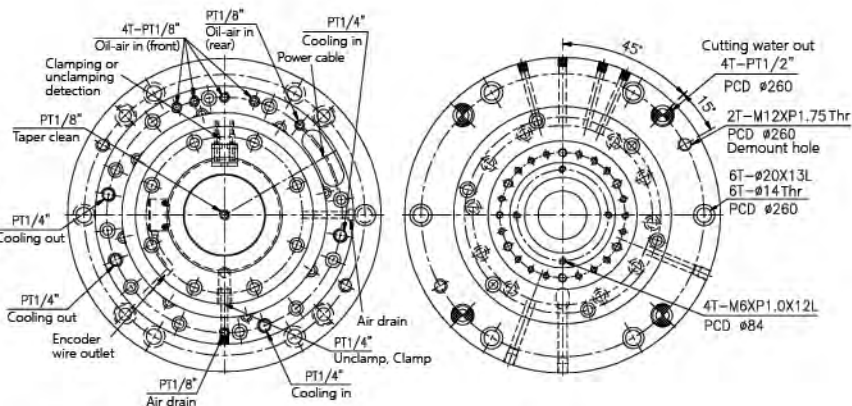
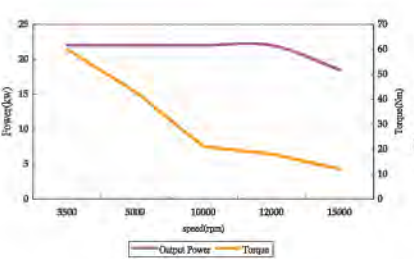
KCG1410

GEAR SPINDLES
BT40 / 10000RPM



MHB2010C

BUILT-IN MOTOR
BT50 / HSK-A100 / 10000RPM



KV2006E

GEAR SPINDLES
BT50 / 8000RPM

