



CORRUGATED
NYLON TUBE

AND CONNECTOR
SERIES

尼龍管及接頭系列

CE RoHS



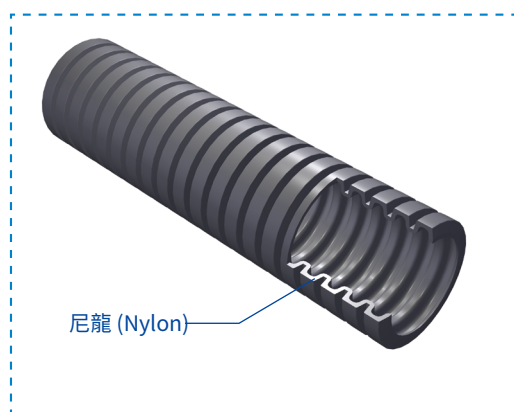


UL 防水尼龍配電軟管

UL WATERPROOF NYLON POWER DISTRIBUTION HOSE



- (一) 選用UL認可尼龍PA6工程塑料製成（防火等級 UL 94V-2）。
- (二) 通過UL1000小時抗UV耐候實驗、液體密封性、張力、垂直火焰、拉出、熱老化、低溫衝擊、撓曲度等相關測試。
- (三) 工作溫度：-30°C~105°C、防護等級IP68。
- (四) 請注意：必須同時搭配欣軍FL(X)U接頭才能符合UL相關規範。
(各家廠牌生產條件不等同)
- (五) 管的顏色：黑色或灰色可供選擇。
- (六) 灰色：屬於批量訂製品。



- (1) Made of UL-approved nylon PA6 engineering plastics (fire rating UL 94V-2).
- (2) Passed UL1000 hours anti-UV weather resistance test, liquid tightness, tension, vertical flame, pull out, thermal aging, low temperature impact, deflection and other related tests.
- (3) Working temperature: -30°C~105°C, protection grade IP68.
- (4) Please note: It must be matched with SINZ FL(X)U connector to meet UL related specifications. (The production condition of each brand are different).
- (5) The color of the tube: black or gray to choose from.
- (6) Gray: Products ordered in bulk.

遵照UL-1696標準。

美國及加拿大UL認證登錄：E523702。

In accordance with UL-1696 standard.

US and Canada UL certification registration: E523702.

TYPE-NL206U

型號 CatalogNo.	規格 Nominal Size	內徑 I.D.(mm) 最小 Max.	外徑 O.D.(mm) 最小 Max.	彎曲半徑 Bending Radius (mm)	包裝長度 Length (M/coil)	重量 Weight (g/M)	才積 M'ment (cuft)		
ANL206U0200000	1/4"	6.9	7.7	9.6	10.4	15	100	18	1.0
ANL206U0250000	5/16"	9.6	10.4	12.6	13.4	20	100	29	1.0
ANL206U0300000	3/8"	11.6	12.4	15.4	16.2	30	100	41	1.1
ANL206U0400000	1/2"	15.8	16.6	20.8	21.6	40	100	60	1.6
ANL206U0600000	3/4"	21.5	22.3	28.1	28.9	45	100	121	2.7
ANL206U1000000	1"	27.0	28.2	34.0	35.0	55	50	140	3.8
ANL206U1200000	1 1/4"	35.4	36.6	42.0	43.0	60	30	169	4.1
ANL206U1400000	1 1/2"	39.8	41.4	48.0	49.6	65	30	221	6.15
ANL206U2000000	2"	46.2	47.8	53.7	55.3	70	30	233	6.67
ANL206U2400000	2 1/2"	67.5	69.5	79.5	81.5	160	30	452	15.24

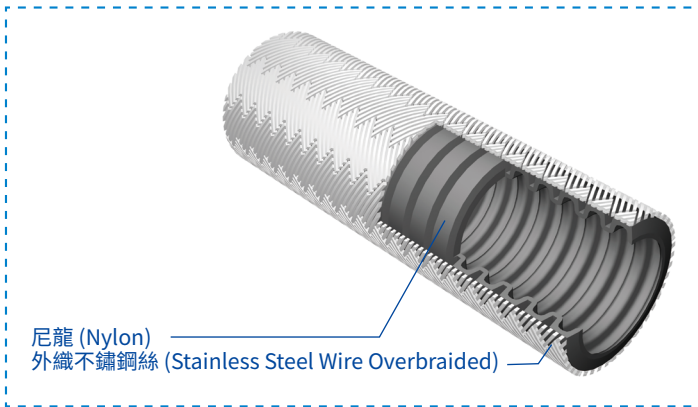
外織不鏽鋼絲防水尼龍配電軟管

STAINLESS WIRE BRADING CORRUGATED NYLON TUBES



- (一) 內管係耐燃尼龍塑料製成，外層加織不鏽鋼絲。
- (二) 耐衝擊抗腐蝕。
- (三) 具防水防塵、防鐵屑的功能、防護等級IP68。
- (四) 適用於切削工具機，潮濕區域、或長距離重負荷之電氣配管。

- (1) Inner tube is made of thermal resistance nylon, out layer with stainless steel wire.
- (2) Anti punching and anticorrosion.
- (3) With function of anti water, dust, and iron scrap, Protection degree IP68.
- (4) Apply to electrical tube for cutting tools, humid area, and long travel route and heavy carrying capacity movement.



NL206U尼龍配電軟管具阻燃（不助燃）之特性。
NL206U Corrugated nylon tube is not flammable and capable of blocking fire.

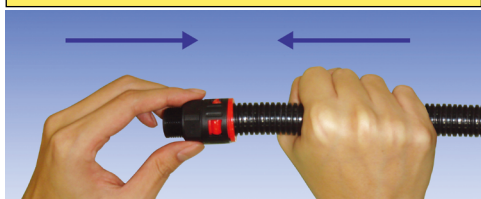
TYPE-NK206

型號 Catalog No.	規格 Nominal Size	內徑I.D.(mm)		外徑O.D.(mm)		彎曲半徑 Bending Radius(mm)	包裝長度 Length (M/coil)	重量 Weight (g/M)	才積 M'ment (cuft)
		最小 Min.	最大 Max.	最小 Min.	最大 Max.				
ANK20600200000	1/4"	6.9	7.7	10.2	11.2	20	100	82	1.10
ANK20600250000	5/16"	9.6	10.4	13.9	14.7	25	100	109	1.10
ANK20600300000	3/8"	11.6	12.4	16.6	17.4	35	100	136	1.24
ANK20600400000	1/2"	15.8	16.6	21.9	22.7	45	100	195	1.79
ANK20600600000	3/4"	21.5	22.3	29.3	30.1	50	100	287	2.95
ANK20601000000	1"	27.0	28.2	35.0	36.0	60	50	350	5.44
ANK20601200000	1 1/4"	35.4	36.6	43.1	44.1	70	30	587	5.74
ANK20601400000	1 1/2"	39.8	41.4	49.4	51.0	75	30	726	6.10
ANK20602000000	2"	46.2	47.8	55.4	57.0	80	30	825	6.34

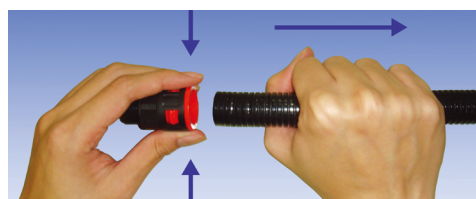
尼龍管快插接頭（塑鋼）

NYLON TUBE QUICK CONNECTOR (Plastic steel)

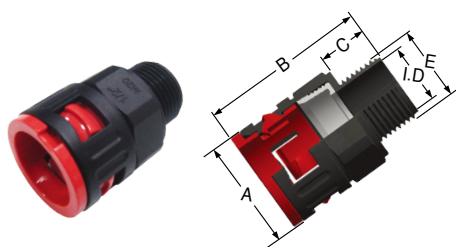
中華民國專利號碼：第M532009號
R.O.C. Patent No. : M532009



組立：軟管直接插入接頭。
Assembly : A tube directly inserts into the adapter.



拆卸：握住接頭活動外殼，軟管往外拉。
Dismantle : Holding the adapter's flexible shell, and pulling a tube toward outside.



特性說明：

- (一) 選用尼龍PA66材質，高抗腐蝕不變形。
- (二) 新功能設計，防護等級IP66。
- (三) 若要選用UL認證的接頭，產品名稱為：FLBU。

Feature description:

- (1) Nylon PA66 material is used, which is highly resistant to corrosion and does not deform.
- (2) New functional design, protection grade IP66.
- (3) If you want to choose a UL certified connector, the product name is: FLBU.

TYPE-FLB(Straight)

型號 CatalogNo.	配用尼龍管規格 Nylon tube Size	尺寸 Dimension(mm)					牙規格 Thred	包裝數量 pcs/bag	重量 Weight (g/pc)
		I.D.	A	B	C	E			
A0FLB000250F04	5/16"	10.5	24.0	37.0	10.0	20.9	PF1/2"	50	7.1
A0FLB000300F04	3/8"	12.5	27.0	39.0	12.0	20.9	PF1/2"	50	8.1
A0FLB000400F04	1/2"	16.0	29.4	44.0	12.0	20.9	PF1/2"	50	11.4
A0FLB000600F06	3/4"	20.5	37.1	49.0	15.0	26.4	PF3/4"	50	17.5
A0FLB001000F10	1"	26.5	43.4	52.0	16.0	33.2	PF1"	50	22.6
A0FLB001200F12	1 1/4"	35.0	52.5	54.0	18.0	41.9	PF1 1/4"	10	41.8
A0FLB001400F14	1 1/2"	41.0	59.0	56.5	18.0	47.8	PF1 1/2"	10	55.8
A0FLB002000F20	2"	48.0	67.0	60.0	22.0	59.6	PF2"	10	70.9
A0FLB000200G07	1/4"	7.0	17.2	32.5	10.0	12.5	PG7	50	5.4
A0FLB000250G09	5/16"	10.5	20.4	37.0	10.0	15.2	PG9	50	5.7
A0FLB000250G11	5/16"	10.5	24.0	37.0	10.0	18.6	PG11	50	6.8
A0FLB000250G13	5/16"	10.5	24.0	37.0	10.0	20.4	PG13.5	50	7.1
A0FLB000300G11	3/8"	12.5	24.2	37.0	10.0	18.6	PG11	50	7.3
A0FLB000300G13	3/8"	12.5	24.2	37.0	10.0	20.4	PG13.5	50	7.6
A0FLB000400G16	1/2"	16.0	29.4	44.0	12.0	22.5	PG16	50	11.8
A0FLB000600G21	3/4"	20.5	37.1	46.0	12.0	28.3	PG21	50	17.1
A0FLB001000G29	1"	26.5	44.0	48.0	12.0	37.0	PG29	50	23.0
A0FLB001200G36	1 1/4"	36.5	52.5	48.0	12.0	47.0	PG36	10	46.9
A0FLB002000G48	2"	48.0	67.0	52.5	14.5	59.3	PG48	10	66.3
A0FLB000259M12	5/16"	8.0	20.4	36.0	9.0	12.0	M12X1.5	50	5.4
A0FLB000250M16	5/16"	10.5	24.0	37.0	10.0	16.0	M16X1.5	50	6.2
A0FLB000250M20	5/16"	10.5	24.0	37.0	10.0	20.0	M20X1.5	50	6.9
A0FLB000300M16	3/8"	12.5	23.2	39.0	12.0	16.0	M16X1.5	50	6.9
A0FLB000300M20	3/8"	12.5	27.0	40.0	13.0	20.0	M20X1.5	50	7.8
A0FLB000400M20	1/2"	16.0	29.4	45.0	13.0	20.0	M20X1.5	50	11.2
A0FLB000600M25	3/4"	20.5	37.1	47.0	13.0	25.0	M25X1.5	50	16.7
A0FLB001000M32	1"	26.5	43.4	51.0	15.0	32.0	M32X1.5	50	22.6
A0FLB001200M40	1 1/4"	34.0	52.5	51.0	15.0	40.0	M40X1.5	10	43.1
A0FLB001400M50	1 1/2"	41.5	59.0	53.5	15.0	50.0	M50X1.5	10	56.6
A0FLB002000M63	2"	48.0	68.0	54.0	16.0	63.0	M63X1.5	10	76.6

• 牙規格：PF牙、PG牙及M牙。

080 • 上列快速接頭配合NL206U尼龍管使用。

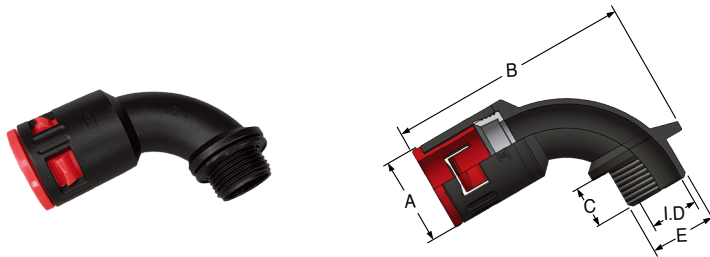
• Thread specification : PF. PG. M.

• The quick connectors suitable for NL206U corrugated nylon tubes.

尼龍管快插接頭 (塑鋼)

NYLON TUBE QUICK CONNECTOR (Plastic steel)

中華民國專利號碼：第M532009號
R.O.C. Patent No. : M532009



特性說明：

- (一) 選用尼龍PA66材質，高抗腐蝕不變形。
- (二) 新功能設計，防護等級IP66。
- (三) 若要選用UL認證的接頭，產品名稱為：FLLU。

Feature description:

- (1) Nylon PA66 material is used, which is highly resistant to corrosion and does not deform.
- (2) New functional design, protection grade IP66.
- (3) If you want to choose a UL certified connector, the product name is: FLLU.

TYPE-FLL(90° Angle)

型號 CatalogNo.	配用尼龍管規格 Nylon tube		尺寸 Dimension(mm)				牙規格 Thred	包裝 數量 pcs/bag	重量 Weight (g/pc)
	Size	I.D.	A	B	C	E			
A0FLL000300F04	3/8"	12.5	23.2	64.1	11.0	20.9	PF1/2"	50	14.8
A0FLL000400F04	1/2"	16.0	29.4	74.7	12.0	20.9	PF1/2"	50	22.0
A0FLL000600F06	3/4"	21.0	37.1	83.7	15.0	26.4	PF3/4"	50	35.0
A0FLL001000F10	1"	27.0	43.4	99.1	16.0	33.2	PF1"	20	52.6
A0FLL001200F12	1 1/4"	35.0	52.5	109.6	18.0	41.7	PF1 1/4"	10	65.7
A0FLL001400F14	1 1/2"	41.0	59.0	117.0	18.0	47.8	PF1 1/2"	10	92.8
A0FLL002000F20	2"	48.0	67.0	127.5	22.0	59.6	PF2"	10	124.7
A0FLL000200G07	1/4"	7.0	17.2	46.8	10.0	12.5	PG7	50	7.0
A0FLL000250G09	5/16"	10.5	20.4	59.2	10.0	15.2	PG9	50	10.0
A0FLL000300G11	3/8"	12.5	23.2	63.0	11.0	18.6	PG11	50	13.0
A0FLL000400G16	1/2"	16.0	29.4	74.7	12.0	22.5	PG16	50	23.6
A0FLL000600G21	3/4"	22.0	37.1	83.7	12.0	28.3	PG21	50	34.8
A0FLL001000G29	1"	30.0	43.4	99.1	12.0	37.0	PG29	20	48.8
A0FLL001200G36	1 1/4"	36.5	52.5	109.6	12.0	47.0	PG36	10	73.9
A0FLL002000G48	2"	48.0	67.0	127.5	14.5	59.3	PG48	10	120.3
A0FLL000300M16	3/8"	11.0	23.2	63.0	11.0	16.0	M16X1.5	50	13.6
A0FLL000300M20	3/8"	12.5	23.2	63.0	11.0	20.0	M20X1.5	50	14.0
A0FLL000400M20	1/2"	16.0	29.4	74.7	12.0	20.0	M20X1.5	50	21.4
A0FLL000600M25	3/4"	20.5	37.1	83.7	13.0	25.0	M25X1.5	50	34.4
A0FLL001000M32	1"	27.0	43.4	99.1	16.0	32.0	M32X1.5	20	51.6
A0FLL001200M40	1 1/4"	34.0	52.5	109.6	15.0	40.0	M40X1.5	10	66.6
A0FLL001400M50	1 1/2"	41.0	59.0	117.0	15.0	50.0	M50X1.5	10	96.4

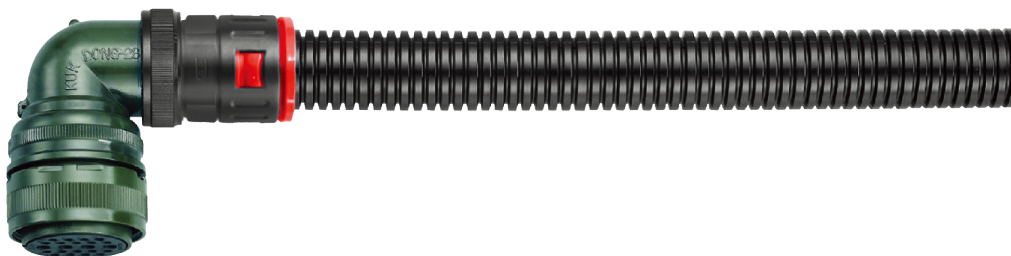
- 牙規格：PF牙、PG牙及M牙。
- 上列快速接頭配合NL206U尼龍管使用。

- Thread specification : PF. PG. M.
- The quick connectors suitable for NL206U corrugated nylon tubes.

軍規轉接快插接頭 (塑鋼)

MS-PLUG/CONNECTORS ADAPTER (Plastic steel)

中華民國專利號碼：第M532009號
R.O.C. Patent No. : M532009



TYPE-FLS



- 若要選用UL 認證的接頭，產品名稱為：FLSU。
- If you want to choose a UL certified connector, the product name is: FLSU.

型號 CatalogNo.	配用尼龍管規格 Nylon tube Size	M S 電 源 插 座 規 格 Same MS-3057	MS-Plus Size	牙規格 Thred
A0FLS00025004A	5/16"	4A	10SL、12S、12	5/8" X24UNEF
A0FLS00030004A	3/8"	4A	10SL、12S、12	5/8" X24UNEF
A0FLS00030006A	3/8"	6A	14S、14	3/4" X20UNEF
A0FLS00030008A	3/8"	8A	16S、16	7/8" X20UNEF
A0FLS00030010A	3/8"	10A	18	1" X20UNEF
A0FLS00030012A	3/8"	12A	20、22	1 3/16" X18UNEF
A0FLS00040010A	1/2"	10A	18	1" X20UNEF
A0FLS00040012A	1/2"	12A	20、22	1 3/16" X18UNEF
A0FLS00040016A	1/2"	16A	24、28	1 7/16" X18UNEF
A0FLS00060012A	3/4"	12A	20、22	1 3/16" X18UNEF
A0FLS00060016A	3/4"	16A	24、28	1 7/16" X18UNEF
A0FLS00060020A	3/4"	20A	32	1 3/4" X18UNS
A0FLS00100016A	1"	16A	24、28	1 7/16" X18UNEF
A0FLS00100020A	1"	20A	32	1 3/4" X18UNS

A0FLS000250M13	5/16"	(JAE)	M13X1.0
A0FLS000300M13	3/8"	(JAE)	M13X1.0
A0FLS000300M18	3/8"	(DDK)	M18X1.0

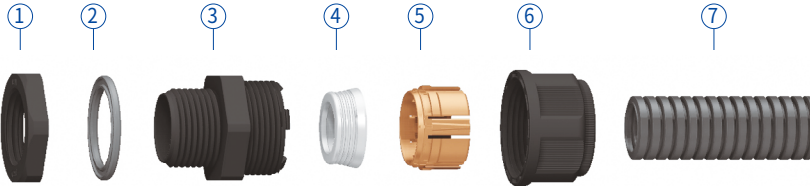
- 上列軍規接頭配合NL206U尼龍管使用。
- The connectors adapter suitable for NL206U corrugated nylon tubes.

尼龍管迫緊接頭

NYLON TUBE COMPRESSION JOINT

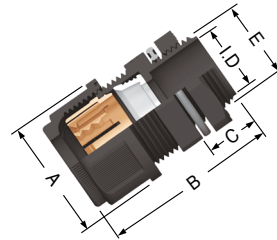


中華民國專利號碼：第M460437號
R.O.C. Patent No. : M460437



- 1.螺帽 (Nut)
- 2.墊片 (Packing)
- 3.接頭本體 (Body)
- 4.防水墊圈 (Rubber busing)
- 5.夾緊爪 (Claw)
- 6.後蓋螺帽 (Cap nut)
- 7.尼龍管 (Nylon tubes)

TYPE-KLB (Straight)



型號 Catalog No.	配用尼龍管規格 Nylon tube Size	尺寸 Dimension (mm) I.D.	A	B	C	E	牙規格 Thread	包裝 數量 pcs/bag	重量 Weight (g/pc)
A0KLB000300F04	3/8"	12.5	28.5	41.0	12.0	20.9	PF1/2"	50	9.4
A0KLB000400F06	1/2"	16.0	35.3	46.5	15.0	26.4	PF3/4"	50	22.0
A0KLB001400F14	1 1/2"	41.0	70.0	65.0	18.0	47.8	PF1 1/2"	10	55.4
A0KLB000250G09	5/16"	10.4	25.0	38.5	10.0	15.2	PG9	50	7.5
A0KLB000250G11	5/16"	10.4	25.0	38.5	10.0	18.6	PG11	50	11.6
A0KLB000250G13	5/16"	10.4	25.0	38.5	10.0	20.4	PG13.5	50	12.6
A0KLB000300G11	3/8"	12.5	28.5	39.0	10.0	18.6	PG11	50	9.4 (3/8"xM20車修)
A0KLB000300G13	3/8"	12.5	28.5	39.0	10.0	20.4	PG13.5	50	11.6 (3/8"xPG16車修)
A0KLB000300G16	3/8"	12.5	28.5	41.0	12.0	22.5	PG16	50	15.4
A0KLB000400G16	1/2"	16.0	35.3	43.5	12.0	22.5	PG16	50	19.4 (1/2"xM25車修)
A0KLB000400G21	1/2"	16.0	35.3	43.5	12.0	28.3	PG21	50	21.8
A0KLB000600G29	3/4"	21.0	44.0	45.0	12.0	37.0	PG29	50	37.0
A0KLB000250M16	5/16"	10.4	25.0	38.5	10.0	16.0	M16X1.5	50	8.2
A0KLB000300M16	3/8"	12.5	28.5	41.0	12.0	16.0	M16X1.5	50	8.6
A0KLB000300M18	3/8"	12.5	28.5	36.5	7.5	18.0	M18X1.5	50	11.8
A0KLB000300M20	3/8"	12.5	28.5	42.0	13.0	20.0	M20X1.5	50	12.2
A0KLB000400M20	1/2"	16.0	35.3	44.5	13.0	20.0	M20X1.5	50	17.4
A0KLB000400M25	1/2"	16.0	35.3	44.5	13.0	25.0	M25X1.5	50	21.8
A0KLB000600M32	3/4"	21.0	44.0	48.0	15.0	32.0	M32X1.5	50	36.0
A0KLB001400M50	1 1/2"	41.0	70.0	62.0	15.0	50.0	M50X1.5	10	60.2

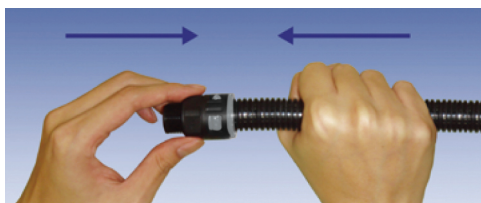
- 牙規格：PF牙、PG牙及M牙。
- 上列接頭配合NL206U尼龍管使用。
- 防護等級IP68

- Thread specification:PF. PG. M.
- The connectors suitable for NL206U corrugated nylon tubes.
- Protection degree IP68.



UL尼龍管快插接頭（塑鋼）

UL NYLON TUBE QUICK CONNECTORS (Plastic steel)



組立：軟管直接插入接頭。

Assembly : A tube directly inserts into the adapter.



拆卸：握住接頭活動外殼，軟管往外拉。

Dismantle : Holding the adapter's flexible shell, and pulling a tube toward outside.

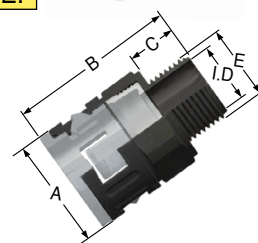
遵照UL-1696標準。

美國及加拿大UL認證登錄：E523702。

In accordance with UL-1696 standard.

US and Canada UL certification registration: E523702.

- (一) 選用UL認可尼龍PA6工程塑料製成（防火等級 UL 94V-2）。
 - (二) 通過UL液體密封性、拉出、垂直火焰等相關測試。
 - (三) 工作溫度：-30°C~105°C。
 - (四) 採用材質NBR機械耐油橡膠。
 - (五) 請注意：必須同時搭配配軍NL206U尼龍管才能符合UL相關規範。（各家廠牌生產條件不同）
 - (六) 接頭的零件：中心有黑/灰色；扣環有灰/紅色。（七）灰色：屬於批量訂製品。
- (1) Made of UL-approved nylon PA6 engineering plastics (fire rating UL 94V-2).
 - (2) Pass UL liquid tightness, pull-out, vertical flame and other related tests.
 - (3) Working temperature: -30°C~105°C.
 - (4) The material is NBR mechanical oil-resistant rubber.
 - (5) Please note: SINZ NL206U nylon tube must be used at the same time to meet the relevant UL specifications. (The production condition of each brand are different).
 - (6) Parts of the joint: black or gray in the center; gray or red in the clasp.
 - (7) Gray: Products ordered in bulk.



TYPE-FLBU(Straight)

型號 CatalogNo.	配用尼龍管規格 Nylon tube Size	尺寸 Dimension(mm)					牙規格 Thred	包裝 數量 pcs/bag	重量 Weight (g/pc)
		I.D.	A	B	C	E			
A0FLBU00250F04	5/16"	10.5	24.0	37.0	10.0	20.9	PF1/2"	50	7.1
A0FLBU00300F04	3/8"	12.5	27.0	39.0	12.0	20.9	PF1/2"	50	8.1
A0FLBU00400F04	1/2"	16.0	29.4	44.0	12.0	20.9	PF1/2"	50	11.4
A0FLBU00600F06	3/4"	20.5	37.1	49.0	15.0	26.4	PF3/4"	50	17.5
A0FLBU01000F10	1"	26.5	43.4	52.0	16.0	33.2	PF1"	50	22.6
A0FLBU01200F12	1 1/4"	35.0	52.5	54.0	18.0	41.9	PF1 1/4"	10	41.8
A0FLBU01400F14	1 1/2"	41.0	59.0	56.5	18.0	47.8	PF1 1/2"	10	55.8
A0FLBU02000F20	2"	48.0	67.0	60.0	22.0	59.6	PF2"	10	70.9
A0FLBU00200G07	1/4"	7.0	17.2	32.5	10.0	12.5	PG7	50	5.4
A0FLBU00250G09	5/16"	10.5	20.4	37.0	10.0	15.2	PG9	50	5.7
A0FLBU00250G11	5/16"	10.5	24.0	37.0	10.0	18.6	PG11	50	6.8
A0FLBU00250G13	5/16"	10.5	24.0	37.0	10.0	20.4	PG13.5	50	7.1
A0FLBU00300G11	3/8"	12.5	24.2	37.0	10.0	18.6	PG11	50	7.3
A0FLBU00300G13	3/8"	12.5	24.2	37.0	10.0	20.4	PG13.5	50	7.6
A0FLBU00400G16	1/2"	16.0	29.4	44.0	12.0	22.5	PG16	50	11.8
A0FLBU00600G21	3/4"	20.5	37.1	46.0	12.0	28.3	PG21	50	17.1
A0FLBU01000G29	1"	26.5	44.0	48.0	12.0	37.0	PG29	50	23.0
A0FLBU01200G36	1 1/4"	36.5	52.5	48.0	12.0	47.0	PG36	10	46.9
A0FLBU02000G48	2"	48.0	67.0	52.5	14.5	59.3	PG48	10	66.3
A0FLBU00250M16	5/16"	10.5	24.0	37.0	10.0	16.0	M16X1.5	50	6.2
A0FLBU00250M20	5/16"	10.5	24.0	37.0	10.0	20.0	M20X1.5	50	6.9
A0FLBU00300M16	3/8"	12.5	23.2	39.0	12.0	16.0	M16X1.5	50	6.9
A0FLBU00300M20	3/8"	12.5	27.0	40.0	13.0	20.0	M20X1.5	50	7.8
A0FLBU00400M20	1/2"	16.0	29.4	45.0	13.0	20.0	M20X1.5	50	11.2
A0FLBU00600M25	3/4"	20.5	37.1	47.0	13.0	25.0	M25X1.5	50	16.7
A0FLBU01000M32	1"	26.5	43.4	51.0	15.0	32.0	M32X1.5	50	22.6
A0FLBU01200M40	1 1/4"	34.0	52.5	51.0	15.0	40.0	M40X1.5	10	43.1
A0FLBU01400M50	1 1/2"	41.5	59.0	53.5	15.0	50.0	M50X1.5	10	56.6
A0FLBU02000M63	2"	48.0	68.0	54.0	16.0	63.0	M63X1.5	10	76.6

- 牙規格：PF牙、PG牙及M牙。
- 上列快速接頭配合NL206U尼龍管使用。

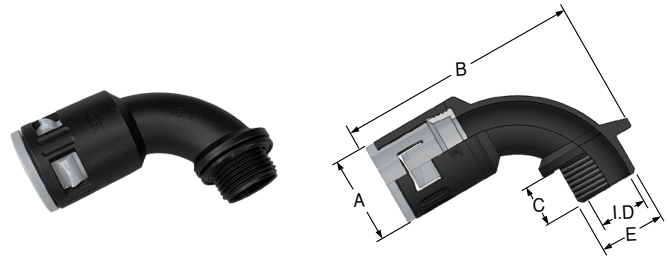
- Thread specification : PF. PG. M.
- The quick connectors suitable for NL206U corrugated nylon tubes.

UL尼龍管快插接頭（塑鋼）



UL NYLON TUBE QUICK CONNECTORS (Plastic steel)

遵照UL-1696標準。
 美國及加拿大UL認證登錄：E523702。
 In accordance with UL-1696 standard.
 US and Canada UL certification registration: E523702.



- (一) 選用UL認可尼龍PA6工程塑料製成（防火等級 UL 94V-2）。
- (二) 通過UL液體密封性、拉出、垂直火焰等相關測試。
- (三) 工作溫度：-30°C~105°C。
- (四) 採用材質NBR機械耐油橡膠。
- (五) 請注意：必須同時搭配欣軍NL206U尼龍管才能符合UL相關規範。(各家廠牌條件尺寸不等同)
- (六) 接頭的零件：中心有黑/灰色；扣環有灰/紅色。
- (七) 灰色：屬於批量訂製品。

- (1) Made of UL-approved nylon PA6 engineering plastics (fire rating UL 94V-2).
- (2) Pass UL liquid tightness, pull-out, vertical flame and other related tests.
- (3) Working temperature: -30°C~105°C.
- (4) The material is NBR mechanical oil-resistant rubber.
- (5) Please note: SINZ NL206U nylon tube must be used at the same time to meet the relevant UL specifications. (The production condition of each brand are different).
- (6) Parts of the joint: black or gray in the center; gray or red in the clasp.
- (7) Gray: Products ordered in bulk.

TYPE-FLLU(90° Angle)

型號 CatalogNo.	配用尼龍管規格 Nylon tube Size	I.D.	尺寸 Dimension(mm)				牙規格 Thred	包裝數量 pcs/bag	重量 Weight (g/pc)
			A	B	C	E			
A0FLLU00300F04	3/8"	12.5	23.2	64.1	11.0	20.9	PF1/2"	50	14.8
A0FLLU00400F04	1/2"	16.0	29.4	74.7	12.0	20.9	PF1/2"	50	22.0
A0FLLU00600F06	3/4"	21.0	37.1	83.7	15.0	26.4	PF3/4"	50	35.0
A0FLLU01000F10	1"	27.0	43.4	99.1	16.0	33.2	PF1"	20	52.6
A0FLLU01200F12	1 1/4"	35.0	52.5	109.6	18.0	41.7	PF1 1/4"	10	65.7
A0FLLU01400F14	1 1/2"	41.0	59.0	117.0	18.0	47.8	PF1 1/2"	10	92.8
A0FLLU02000F20	2"	48.0	67.0	127.5	22.0	59.6	PF2"	10	124.7
A0FLLU00200G07	1/4"	7.0	17.2	46.8	10.0	12.5	PG7	50	7.0
A0FLLU00250G09	5/16"	10.5	20.4	59.2	10.0	15.2	PG9	50	10.0
A0FLLU00300G11	3/8"	12.5	23.2	63.0	11.0	18.6	PG11	50	13.0
A0FLLU00400G16	1/2"	16.0	29.4	74.7	12.0	22.5	PG16	50	23.6
A0FLLU00600G21	3/4"	22.0	37.1	83.7	12.0	28.3	PG21	50	34.8
A0FLLU01000G29	1"	30.0	43.4	99.1	12.0	37.0	PG29	20	48.8
A0FLLU01200G36	1 1/4"	36.5	52.5	109.6	12.0	47.0	PG36	10	73.9
A0FLLU02000G48	2"	48.0	67.0	127.5	14.5	59.3	PG48	10	120.3
A0FLLU00300M16	3/8"	11.0	23.2	63.0	11.0	16.0	M16X1.5	50	13.6
A0FLLU00300M20	3/8"	12.5	23.2	63.0	11.0	20.0	M20X1.5	50	14.0
A0FLLU00400M20	1/2"	16.0	29.4	74.7	12.0	20.0	M20X1.5	50	21.4
A0FLLU00600M25	3/4"	20.5	37.1	83.7	13.0	25.0	M25X1.5	50	34.4
A0FLLU01000M32	1"	27.0	43.4	99.1	16.0	32.0	M32X1.5	20	51.6
A0FLLU01200M40	1 1/4"	34.0	52.5	109.6	15.0	40.0	M40X1.5	10	66.6
A0FLLU01400M50	1 1/2"	41.0	59.0	117.0	15.0	50.0	M50X1.5	10	96.4

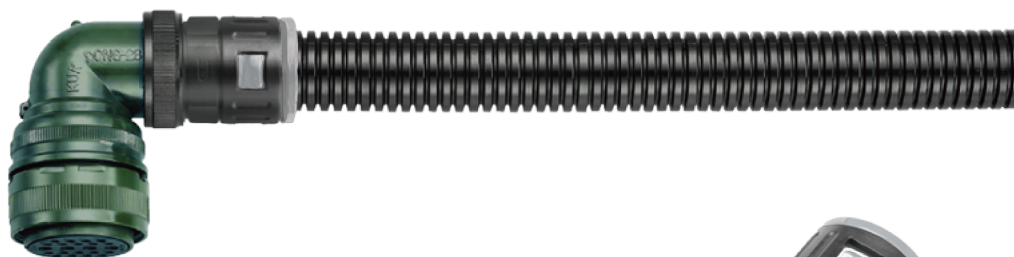
- 牙規格：PF牙、PG牙及M牙。
- 上列快速接頭配合NL206U尼龍管使用。

- Thread specification：PF. PG. M.
- The quick connectors suitable for NL206U corrugated nylon tubes.



UL軍規轉接快插接頭（塑鋼）

UL MS-PLUG/CONNECTORS ADAPTER (Plastic steel)



遵照UL-1696標準。
美國及加拿大UL認證登錄：E523702。
In accordance with UL-1696 standard.
US and Canada UL certification registration: E523702.

- (一) 選用UL認可尼龍PA6工程塑料製成（防火等級 UL 94V-2）。
- (二) 通過UL液體密封性、拉出、垂直火焰等相關測試。
- (三) 工作溫度：-30°C~105°C。
- (四) 採用材質NBR機械耐油橡膠。
- (五) 請注意：必須同時搭配欣軍NL206U尼龍管才能符合UL相關規範。(各家廠牌生產條件不等同)
- (六) 接頭的零件：中心有黑/灰色；扣環有灰/紅色。
- (七) 灰色：屬於批量訂製品。

- (1) Made of UL-approved nylon PA6 engineering plastics (fire rating UL 94V-2).
- (2) Pass UL liquid tightness, pull-out, vertical flame and other related tests.
- (3) Working temperature: -30°C~105°C.
- (4) The material is NBR mechanical oil-resistant rubber.
- (5) Please note: SINZ NL206U nylon tube must be used at the same time to meet the relevant UL specifications. (The production condition of each brand are different).
- (6) Parts of the joint: black or gray in the center; gray or red in the clasp.
- (7) Gray: Products ordered in bulk.

TYPE-FLSU

型號 CatalogNo.	配用尼龍管規格 Nylon tube Size	M S 電 源 插 座 規 格 Same MS-3057	MS-Plus Size	牙規格 Thred
A0FLSU0025004A	5/16"	4A	10SL、12S、12	5/8" X24UNEF
A0FLSU0030004A	3/8"	4A	10SL、12S、12	5/8" X24UNEF
A0FLSU0030006A	3/8"	6A	14S、14	3/4" X20UNEF
A0FLSU0030008A	3/8"	8A	16S、16	7/8" X20UNEF
A0FLSU0030010A	3/8"	10A	18	1" X20UNEF
A0FLSU0030012A	3/8"	12A	20、22	1 3/16" X18UNEF
A0FLSU0040010A	1/2"	10A	18	1" X20UNEF
A0FLSU0040012A	1/2"	12A	20、22	1 3/16" X18UNEF
A0FLSU0040016A	1/2"	16A	24、28	1 7/16" X18UNEF
A0FLSU0060012A	3/4"	12A	20、22	1 3/16" X18UNEF
A0FLSU0060016A	3/4"	16A	24、28	1 7/16" X18UNEF
A0FLSU0060020A	3/4"	20A	32	1 3/4" X18UNS
A0FLSU0100016A	1"	16A	24、28	1 7/16" X18UNEF
A0FLSU0100020A	1"	20A	32	1 3/4" X18UNS
A0FLSU00250M13	5/16"		(JAE)	M13X1.0
A0FLSU00300M13	3/8"		(JAE)	M13X1.0
A0FLSU00300M18	3/8"		(DDK)	M18X1.0

- 上列軍規接頭配合NL206U尼龍管使用。
- The connectors adapter suitable for NL206U corrugated nylon tubes.

2 1/2" 尼龍管接頭 (塑鋼)

2 1/2" NYLON TUBE CONNECTOR (Plastic steel)

- (一) 材質：係工程塑鋼射出成型。
- (二) 新形式設計，結構強度佳。
- (三) 組合操作簡便，堅固不鬆脫。

- (1) Material : Engineering plastic injection molding.
- (2) New design, good structural strength.
- (3) Easy combination operation, Firm and not loose.



2 1/2" 尼龍管專用
2 1/2" special for nylon tube

使用例 (Application example)



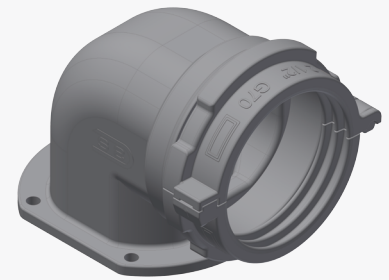
外牙式

TYPE-TTB



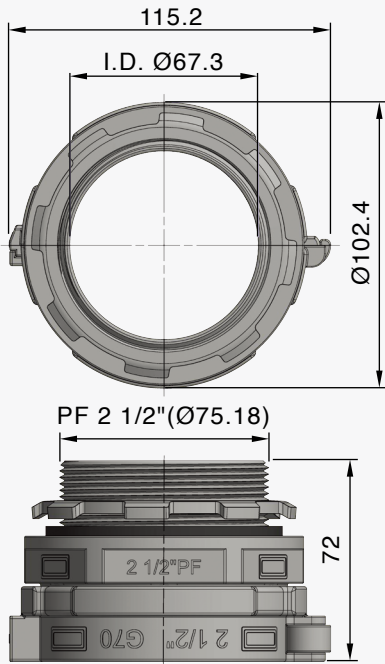
貼壁式

TYPE-TKB

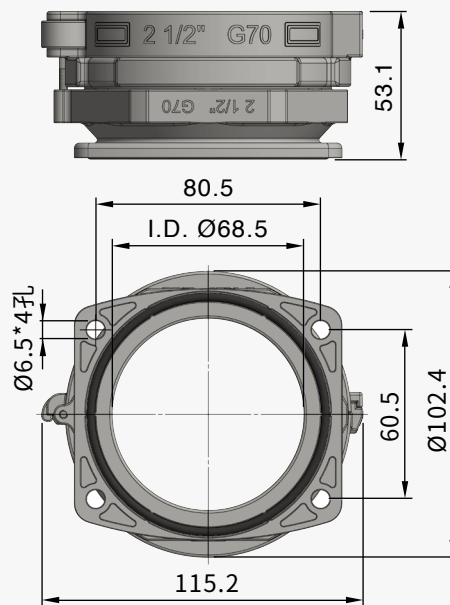


90° 貼壁式
(模具開發中)

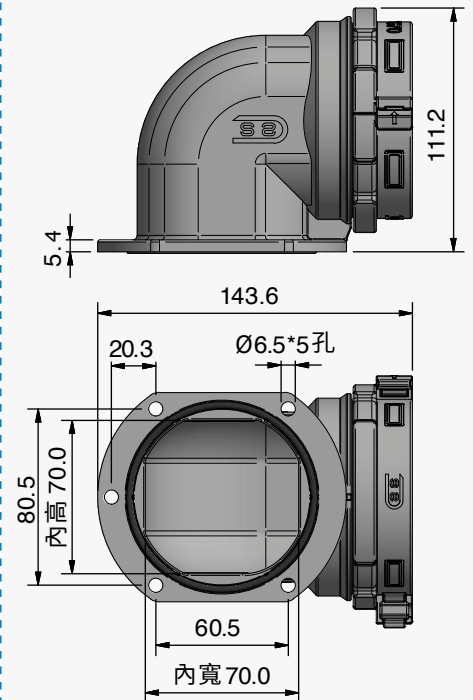
TYPE-TKL



重量：214.1g/pc



重量：145.7g/pc



重量：236.4g/pc

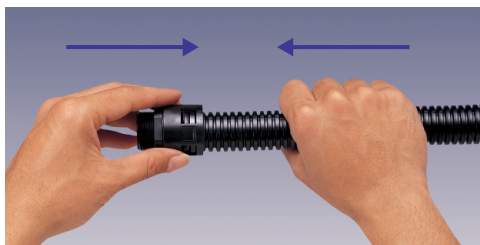
- 牙規格：PF牙 (附鋅合金螺帽)
- 上列接頭配合NL206U尼龍管使用

- Thread specification: PF thread (with zinc alloy nut)
- The above connector is used with NL206U nylon tube

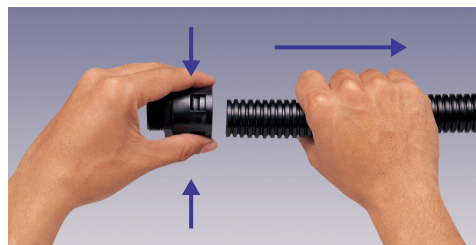
尼龍管快速接頭（簡易式－無防水）

NYLON TUBE QUICK CONNECTOR (Simple type - no waterproof)

中華民國專利號碼：第M205999號
R.O.C. Patent No. : M205999

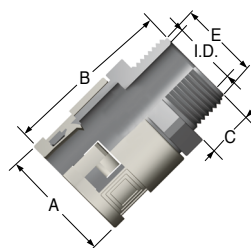


組立：軟管直接插入接頭。
Assembly : A tube directly inserts into the adapter.



拆卸：握住接頭活動外殼，軟管往外拉。
Dismantle : Holding the adapter's flexible shell, and pulling a tube toward outside.

TYPE-TTB(Straight)



型號 CatalogNo.	配用尼龍管規格 Nylon tube Size	I.D.	尺寸 Dimension(mm)				牙規格 Thred	包裝 數量 pcs/bag	重量 Weight (g/pc)
			A	B	C	E			
A0TTB000300F04	3/8"	12.5	23.0	39.5	12.0	20.9	PF1/2"	50	8.4
A0TTB000400F04	1/2"	16.0	29.5	44.0	12.0	20.9	PF1/2"	50	11.8
A0TTB000600F06	3/4"	21.0	37.0	49.5	15.0	26.4	PF3/4"	50	17.0
A0TTB001000F10	1"	26.5	44.0	52.5	16.0	33.2	PF1"	50	24.0
A0TTB001200F12	1 1/4"	35.0	54.0	54.0	18.0	41.9	PF1 1/4"	10	32.4
A0TTB002000F20	2"	48.0	67.0	59.5	22.0	59.6	PF2"	10	63.2
A0TTB000200G07	1/4"	7.0	17.5	30.5	8.0	12.5	PG7	50	4.2
A0TTB000250G09	5/16"	10.5	20.6	37.0	10.0	15.2	PG9	50	6.2
A0TTB000300G11	3/8"	12.5	23.0	37.0	10.0	18.6	PG11	50	7.0
A0TTB000300G13	3/8"	12.5	23.0	37.0	10.0	20.4	PG13.5	50	7.2
A0TTB000400G16	1/2"	17.0	29.5	44.0	12.0	22.5	PG16	50	12.6
A0TTB000600G21	3/4"	23.3	37.0	46.0	12.0	28.3	PG21	50	16.2
A0TTB001000G29	1"	30.0	44.0	48.0	12.0	37.0	PG29	50	25.4
A0TTB001200G36	1 1/4"	36.5	54.0	48.0	12.0	47.0	PG36	10	34.0
A0TTB002000G48	2"	48.0	67.0	52.0	14.5	59.3	PG48	10	53.2
A0TTB000300M16	3/8"	12.5	23.0	39.0	12.0	16.0	M16X1.5	50	6.8
A0TTB000300M20	3/8"	12.5	23.0	40.0	13.0	20.0	M20X1.5	50	8.2
A0TTB000400M20	1/2"	16.0	29.5	45.0	13.0	20.0	M20X1.5	50	11.6
A0TTB000600M25	3/4"	20.5	37.0	47.0	13.0	25.0	M25X1.5	50	17.8
A0TTB001000M32	1"	26.5	44.0	51.0	15.0	32.0	M32X1.5	50	24.8
A0TTB001200M40	1 1/4"	34.0	54.0	51.0	15.0	40.0	M40X1.5	10	32.2

- 牙規格：PF牙、PG牙及M牙。
- 上列快速接頭配合NL206U尼龍管使用。

- Thread specification : PF. PG. M.
- The quick connectors suitable for NL206U corrugated nylon tubes.