



Sesame Motor Corp., A leading brand in gear technology.

PRECISION GEAR MOTOR

V-CASING & FOOT-MOUNT TYPES

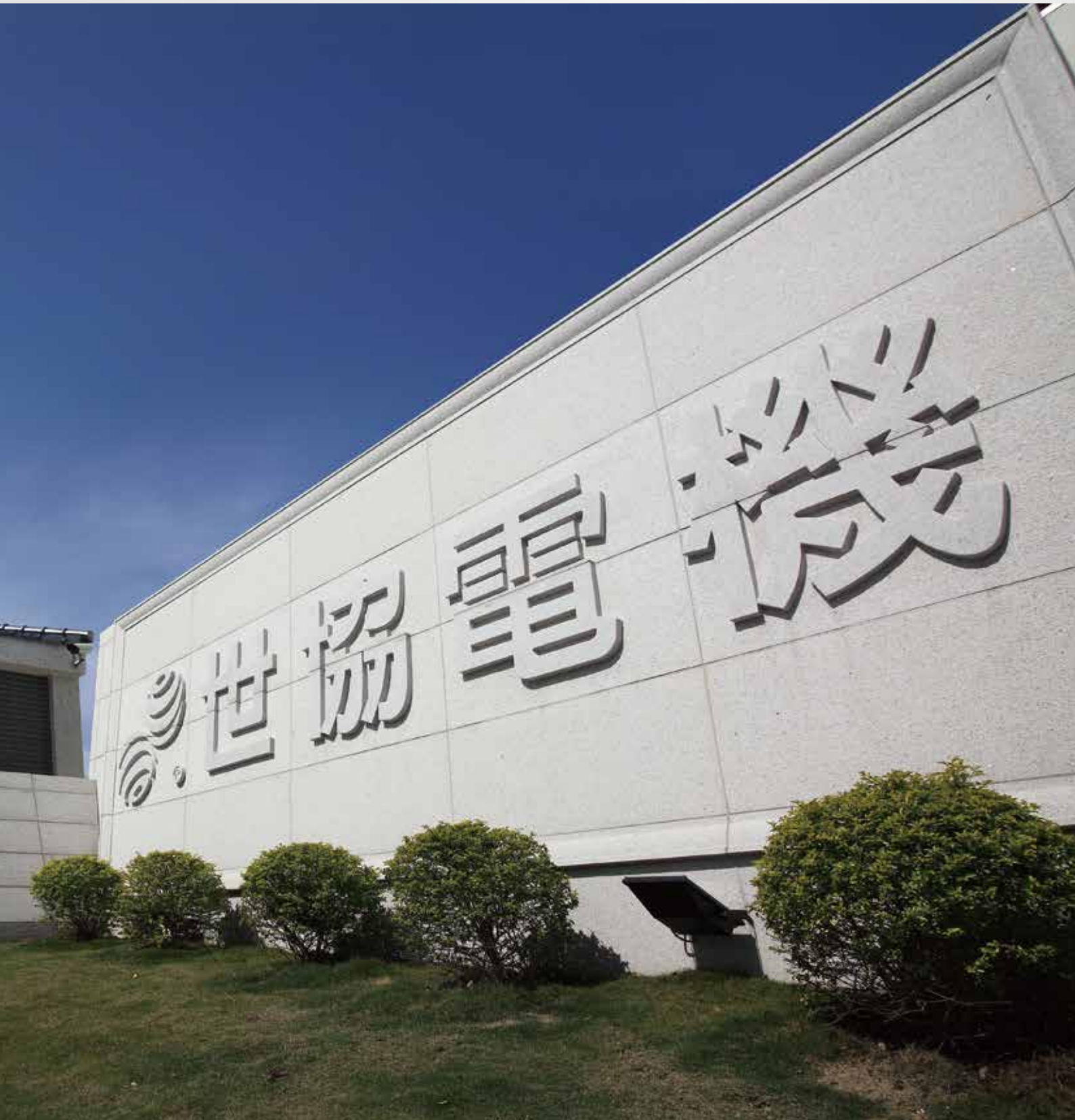
齒輪馬達
立式/臥式系列



100%
Made in Taiwan

www.sesamemotor.com





Company Profile 公司簡介

Sesame Motor Corp., as a leading brand in Motor and gear reducer technology. "SESAME MOTOR CORP." Founded in 1990, have more than 25 years of professional motor and gearbox manufacturing and sales experience. SESAME MOTOR's 7000 square meters factory locates at Sheng Kang. Adding modern workshop facilities with the effective integration of ERP systems, purchase new processing and testing equipment; as we continuously enhance key parts' productivity we had not only expending overall productivity, shorten delivery, and ensure products' quality to achieve customer satisfaction. SESAME MOTOR products have received unanimous praise.

科技與口碑結合的領先品牌 減速機與馬達專業製造廠

『世協電機股份有限公司』成立於1990年，有超過25年專業馬達及減速機製造銷售經驗，廠房位於台中市神岡區，佔地約7000m²；現代化廠房設施加上ERP系統的有效整合，以及購買全新加工及檢測設備，不斷提升關鍵零件自製能力，不僅擴大產能，增快交貨速度、品質更能達到顧客滿意，讓世協電機產品受到使用者一致的好評。



Quality Policy :

"Honesty" , to provide integrity and pragmatic services
"Creativity" to create customer competitive advantage
"Positivity" , positive support and responsibility
"Innovation" , moving forward of technical innovation

Environmental Policy :

Full participation to comply with eco-regulation
Prevent pollution; save energy and reduce waste
Keep improving and propagating Green Concept

品質政策 :

"誠" 信務實
"創" 造客戶優勢競爭力
"積" 極負責的工作效率
"精" 益求精的專業技術

環境政策 :

全員參與 · 遵守環保法規
預防污染 · 節能降耗減廢
持續改進 · 傳播綠色精神



SESAME



世協電機股份有限公司
SESAME MOTOR CORP.

Company Profile 公司簡介

"SESAME MOTOR" is built base on spirit of "customer satisfaction, priority service" philosophy, providing three privileges "best quality, fastest delivery, and best sale service". Our products have obtained high market share in Taiwan, that had lead "SESAME MOTOR" be a well-known brand. In addition to our official branch in Shanghai, we have agents in the United States, Germany, Denmark, Poland, UK, Turkey, Russia, Korea, Japan, China, Thailand, Malaysia and India.

"SESAME MOTOR" also has a professional R & D team and experienced production-related sectors; can provide high accuracy products for different customer needs; high-quality gear and the surrounding transmission components, develop and produce other kinds of gear; customized motor products, products with detailed-oriented, high precision, low noise, high efficiency, and good quality properties. Product development are aiming three directions "science and technology, environmental protection, and innovation". Product will be used in tool machines, industrial robots, semiconductor devices, aircraft industrial, medical and rehabilitation equipment, electric scooter, electric bike, auto storage devices, green energy-related industries, testing and food machinery, bakery equipment, packaging machinery, agricultural equipment and other sophisticated automation equipment.

『世協電機』本著「顧客滿意、服務至上」的理念，提供「最佳品質、最快交期、最好售服」的三最服務，在台灣為具高市佔率之知名品牌，除了在中國上海設有分公司，另在美國、德國、丹麥、波蘭、英國、土耳其、俄羅斯、韓國、日本、中國、泰國、馬來西亞、印度...等國設有總代理。

『世協電機』同時擁有專業的研發團隊、經驗豐富的生產相關部門；可針對不同客戶需求提供高精度、高品質的減速機及周邊傳動機構，研發、生產各式減速機及馬達等客製化產品，產品具備細緻化、精度高、噪音低、高效率等優良品質特性；產品研發更朝向「科技、環保、創新」三方向，將產品應用於工具機械、產業機器人、半導體設備、航太工業、醫療復健設備、電動代步車、電動自行車、自動倉儲設備、綠能相關產業、檢驗儀器、食品機械、烘焙設備、包裝機械及農業設備等各種精密自動化設備中。





Company Profile 公司簡介

"SESAME MOTOR" has been successively obtained CE,CCC,UL, ISO9001 and ISO14001 certification and honorary awards. As we continuously, progressively for created finest quality products; with "Honesty" for providing integrity and pragmatic service; with "Creativity" given customer "Positivity" to support & responsible for the efficiency of productivity; with "Innovation" on profession and knowledge of knowhow, by these four philosophy management, we aims to become the first market trend indicators. "SESAME MOTOR" strong operating team adhere to the blue ocean strategy of entering the international market and high-tech field, to create the future more professional, better quality of sustainable management systems, establishment of "a combination of leading technology and brand reputation" for competitive advantage.

『世協電機』已先後取得CE、CCC、UL、ISO9001 及 ISO14001 認證等榮譽，不但持續創造優良品質產品，並本著『誠』：誠信務實、『創』：創造客戶優勢競爭力、『積』：積極負責的工作效率、『精』：精益求精的專業技術四大經營理念，致力成為市場先趨指標；『世協電機』堅強之經營團隊秉持邁向國際化及高科技化之藍海策略，營造未來更專業化、更優質化的永續經營體系，確立『科技與口碑結合的領導品牌』之競爭優勢。



Trade Mark & Certification 認證與商標



CE Certification



UL Certification



ISO 9001:2015



ISO 14001:2015



China Compulsory Certification (CCC)



Planetary Gearhead PHL Series
China SIPO Patent



Registration Number : 8580921716



Registration Number : 38E08580



Cert.No.E209009



美國、加拿大、歐盟、中國、台灣、日本、韓國、伊朗、菲律賓、越南、印尼、馬來西亞、新加坡等地區商標註冊
The United States, Canada, European Union, China, Taiwan, Japan, Korea, Iran, The Philippines, Vietnam, Indonesia, Malaysia, Singapore ...etc. trade mark certifications.



Corporate Environment 公司環境



PRECISION GEAR MOTOR



Production Line 生產線



伺服專用減速機組
Servo Gearheads Production Line



馬達與減速機組
Induction Motor and
Speed Reducer Production Line



齒輪馬達組
Precision Gear Motor Production Line

Applications 產品應用

Applications of Servo Gearhead

Machine Tools

Metal Cutting Machines, Machining Centers, CNC Drilling Machines, Lathes and Turning Machines, Milling and Boring Machines, Grinding Machines, Drilling Machines, Planning Machines, Metal Forming Machine Tools, Presses, Tube and Wire Processing Machines.

Industry Machinery

Packaging Machinery, Food and Beverage Processing Machinery, Bakery Equipment, Agricultural Machinery, Textile Machinery, Shoemaking Machinery, Wood Working Machinery, Printing Machinery, Plastic processing Machinery, Laser Cutting and Welding Machines.

Automation Equipment

Industrial Robots, Semiconductor Devices, Automatic Storage System, Surface Treatment Equipments.

Aerospace Industry

Medical and Rehabilitation Equipment

Electric Scooter

Green Energy-Related Industries

Testing Devices

Automation and Precise Positioning Equipment with Servo Motors

行星式減速機之應用：

工具機業

金屬切削工具機、綜合加工機、鑽孔中心機、車床、銑床、磨床、鑽床、搪床、鉋床、金屬成型工具機、沖床、管材與線材加工設備、鍛造機械。

產業機械

包裝機、食品飲料機械、烘焙設備、農業機械、紡織機械、製鞋機械、木工機械、印刷機械、塑膠機械、雷射切割機、雷射焊接機。

自動化設備

產業機器人、半導體設備、自動倉儲設備、表面處理設備

航太工業

醫療復健設備

電動代步車

綠能相關產業

檢驗儀器

搭配伺服馬達之自動化機械及精密定位設備

Motor and Reducer

- Machine Tool Accessories · Cutting Equipment · Bar Feeder
- Gilding Machine · Conveyor Equipment · Food Machine
- Screen Printing · Agricultural Machinery · Medical Equipment

馬達/減速機之應用：

- 工作母機配件 · 裁剪設備 · 送料設備 · 燙金設備 · 輸送設備
- 食品機械 · 網版印刷設備 · 農用機械 · 醫療設備

Gear Motor and Reducer

- Machine Tool Accessories · Cutting Equipment · Bar Feeder
- Gilding Machine · Conveyor Equipment · Food Machine
- Screen Printing · Agricultural Machinery · Medical Equipment

齒輪馬達 · 立式/臥式系列：

- 工作母機配件 · 裁剪設備 · 送料設備 · 燙金設備 · 輸送設備
- 食品機械 · 網版印刷設備 · 農用機械 · 醫療設備





TABLE OF CONTENTS 目錄



PRECISION GEAR MOTOR

齒輪馬達

13	Product Name Coding System	品名定義
14	Ampere Table	電流表
15	Operation Manual	操作說明書
23	Specifications and Dimensions, V-casing Type	立式齒輪馬達尺寸
24	Specifications and Dimensions, Foot-mount Type	臥式齒輪馬達尺寸





®

SESAME



V-CASING TYPE

立式系列

- | | | |
|----|--|--------------|
| 25 | V-casing Type Precision Gear Motor For ATC | 立式刀臂用齒輪馬達 |
| 27 | V-casing Type , 100W ~ 400W | 立式100W~400W |
| 35 | V-casing Type , 750W ~ 2200W | 立式750W~2200W |



FOOT-MOUNT TYPE

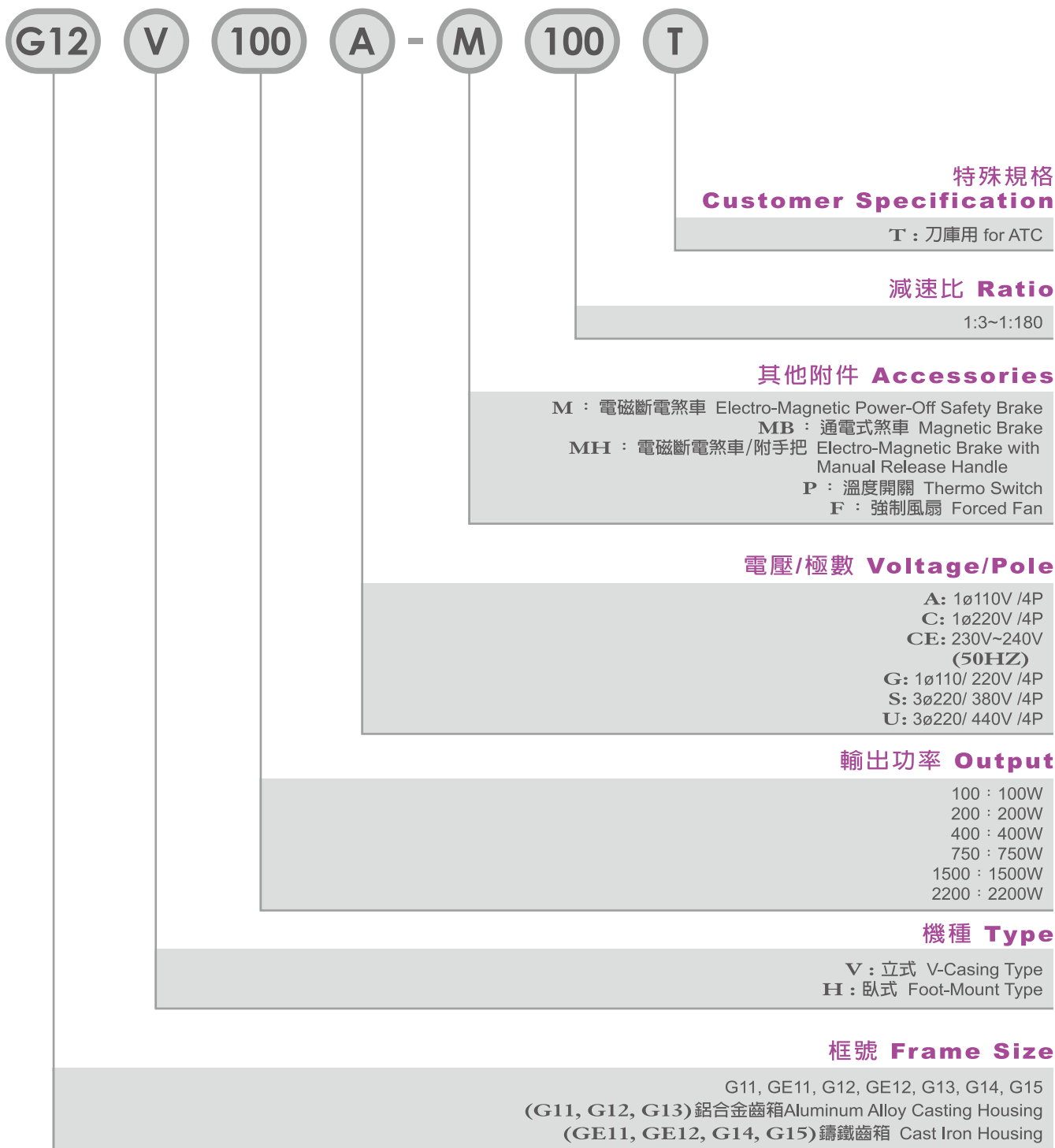
臥式系列

- | | | |
|----|--------------------------------|--------------|
| 42 | Foot-mount Type , 100W ~ 400W | 臥式100W~400W |
| 50 | Foot-mount Type , 750W ~ 2200W | 臥式750W~2200W |

PRODUCT NAME CODING SYSTEM

品名定義

● 中型齒輪減速變速馬達 PRECISION GEAR MOTOR



Products due to human error, natural disasters or other factors lead to poor or damaged, will not be covered under warranty. 產品因人為原因或天災等因素導致不良或損壞，不在保固範圍內。

AMPERE TABLE 電流表

馬力 (KW)	全負荷電流 Full Load Current (Amp)						滿載迴轉數 Full Load Revolutions (rpm)	
	三相 (3 Phase)				單相 (1 Phase)			
	220V		380V		110V	220V	50HZ	60HZ
	50HZ	60HZ	50HZ	60HZ	60HZ	60HZ		
100W	0.66	0.58	0.35	0.32	1.41	0.79	1400	1700
200W	1.28	1.29	0.72	0.66	2.59	1.42	1400	1700
400W	2.28	1.87	1.32	1.09	5.36	2.79	1400	1700
750W	3.2	2.98	1.9	1.71	10.35	5.18	1400	1700
1500W	5.9	5.6	3.4	3.2	-	-	1400	1700
2200W	8.88	8.09	5.09	4.71	-	-	1400	1700

Precision Gear Motor Operation Manual

1.Attention

1.1 Install Preparation

- Please read this operation manual before using this gear motor. Any problem caused by inappropriate operation contrary with the manual, or damage caused by natural disasters, or restructure without our permission, Sesame will not hold any responsibility nor will the gear motor be covered by warranty.
- Warranty is within one year after purchase. Within warranty period, if the gear motor damage is not caused by operation error nor by natural disaster, then please send back the gear motor, we should replace the damage spare part at free of charge.
- Please ensure correct power voltage supply before installation.
- Do not bend the lead wires.
- Gear motor should be installed by trained technicians only.
- Please ground the gear motor according to the manual to prevent fire or electrical shock.
- Do not attempt to disassemble or modify the gear motor.

1.2 Installation Conditions

The conditions below must be fulfilled to avoid any damage caused on the gear motor :

- The gear motor was designed to be installed on the other facilities or applications.
- Do not expose the gear motor to flammable or corrosive gas.
- Indoor applications only. Room temperature should be maintained between -10 ~ 50°C (-10~40°C for gear motor with capacitor).
- The air humidity should not exceed 85%.
- The altitude of where the gear motor was installed should not exceed 1000 m above the sea level.
- Do not expose the gear motor to the sunshine directly. Dust and spray of oil/water is also forbidden.
- Avoid any continuous vibration or impact on the motor.
- Ensure the gear motor was installed in a well ventilated location.

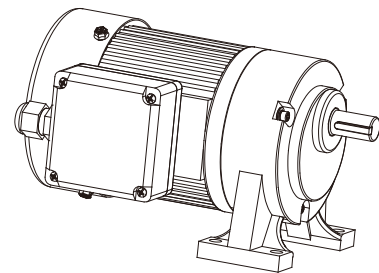
1.3 Preparation of Start up

- Please check the power supply before starting the gear motor.
- High temperature might cause the coil and bearing failed earlier.
- Do not connect the gear motor with inverter.
- Confirm the specification of capacitor before installation.
- Gear motor might burn out if wrong wiring or overloaded.

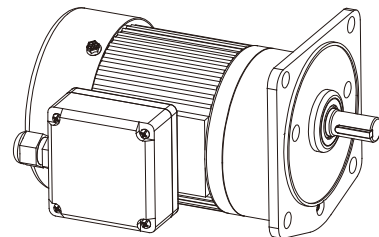
2.Loading Installation Method

The output shaft surface was precisely ground with a key, thus a keyway is necessary in the bore of the machine rotating element when mounting gear motor.

<Foot-Mount Type>



<V-Casing Type>



⚠ Attention

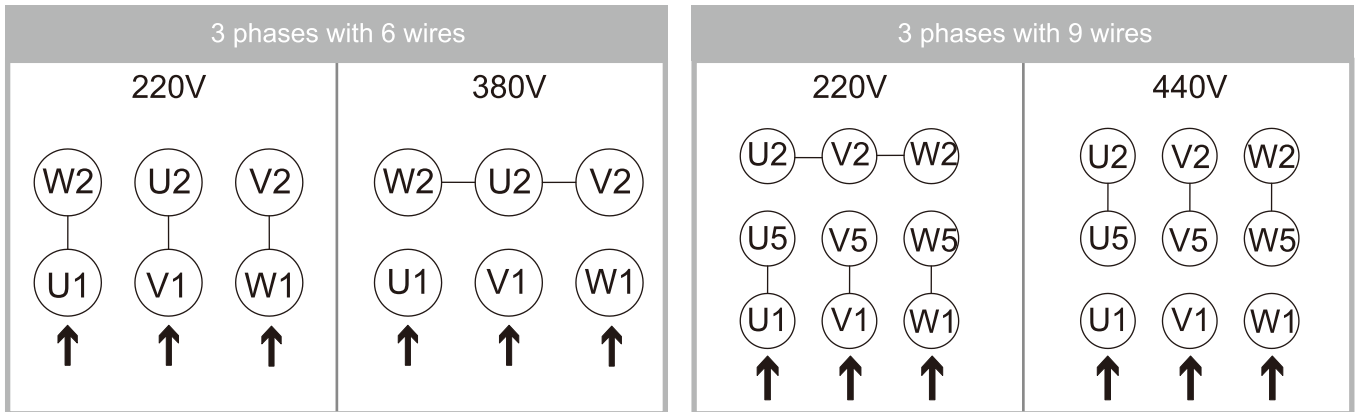
- Do not knock the motor by any tool during installation.
- When using our gear motor to work with other machine elements, please confirm whether they meet the specifications, regulations or restrictions required by the user.
- Please confirm whether the system, machinery or device currently in use is suitable for our products.
- Customer need to recheck our product is suitable for their current system or machinery usage.
- If customer is neglecting for rechecking, then Sesame is not responsible for any cause there might occur.
- The product must always be switched off before any work is performed on it (assembly, dismantling, maintenance, installation). The product must be disconnected from the electrical system and secured against being switched on again. All rotating parts must have come to a stop.
- Incorrectly performed electrical work can result in fatal injury! This work may only be carried out by a qualified electrician.
- The housing parts can heat up to well above 40°C. There is a danger of burns. After switching off, let the product cool down to ambient temperature.

3. Wiring Diagrams

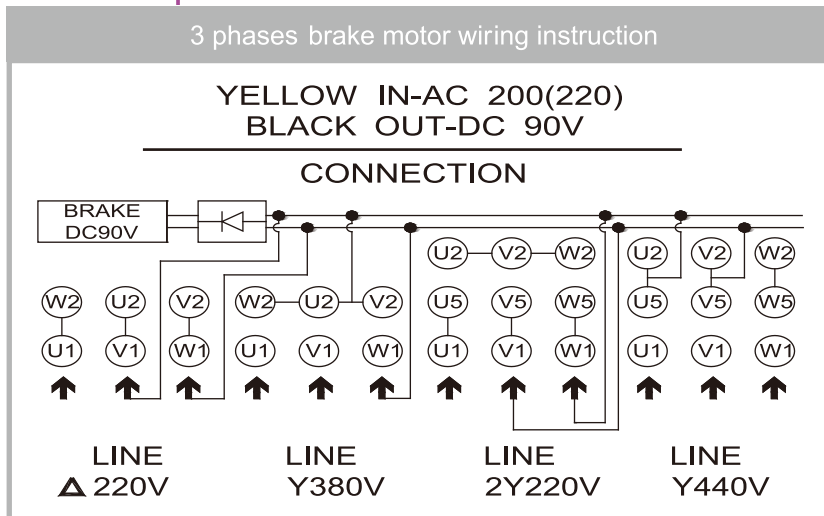
- Visual direction for gear motor running direction is from gear motor's output shaft. Forward direction is clockwise, counterclockwise direction for reversal.

3.1 Three phases motor

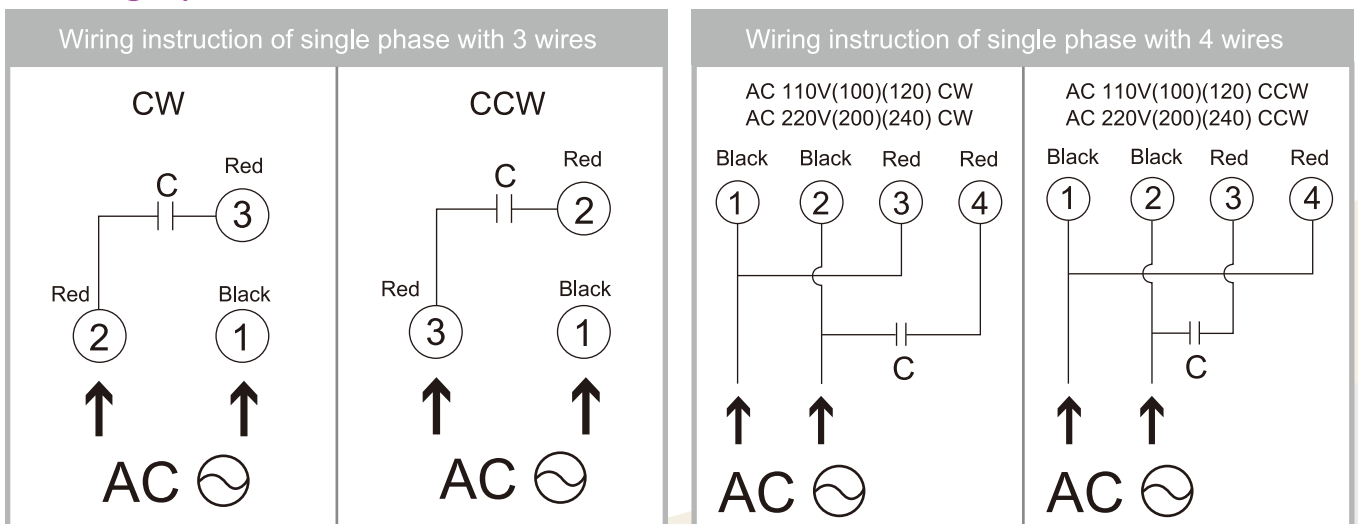
- Please wire the power supply according to the incoming voltage as shown below. Whenever the rotating direction needs to be reversed, switch any two wires of the incoming power cable.
- Please check if the wiring is correct after installation, ensure there is no missing phase, or phase voltage unbalance.



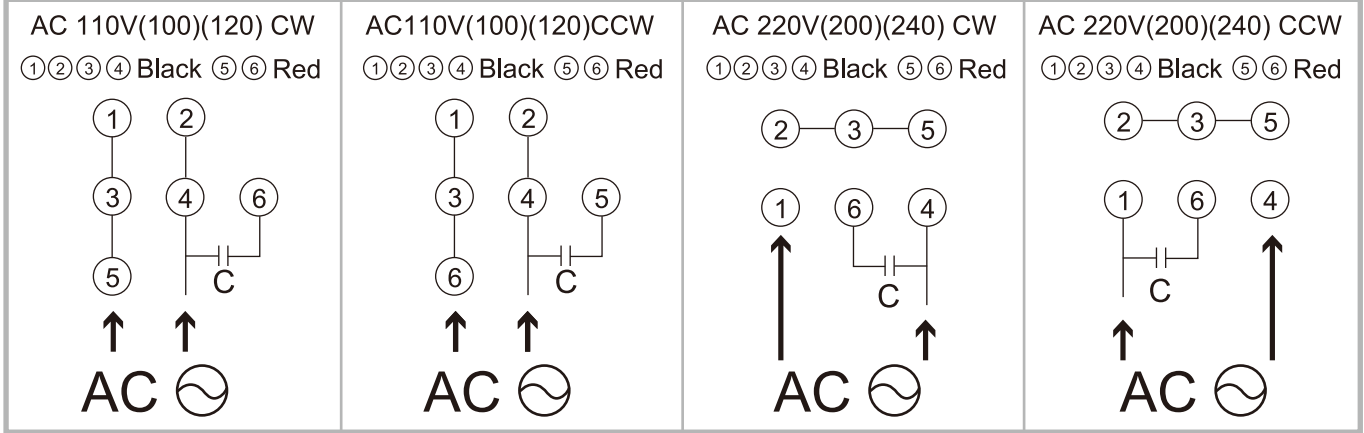
3.2 Three phases motor with brake



3.3 Single phase motor



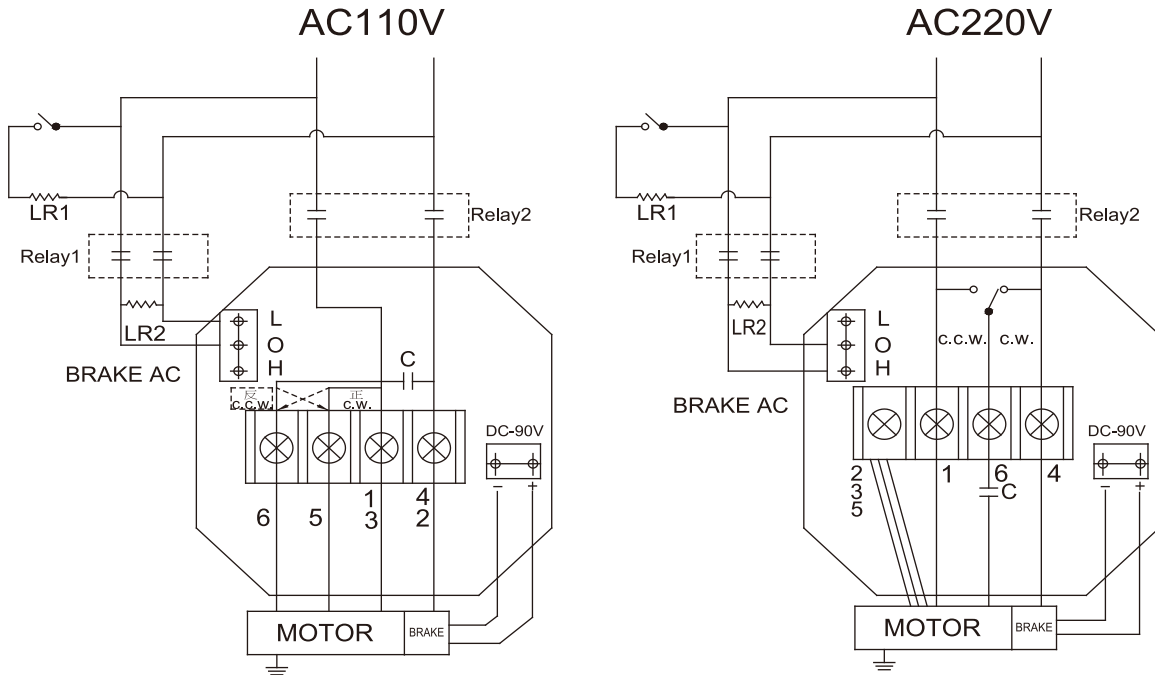
Wiring instruction of single phase with 6 wires



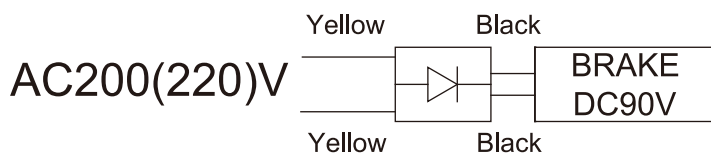
3.4 Single phase motor with brake

Single Phase Brake Motor Wiring Instruction

● Brake control panel wiring diagram without internal relay



● Brake control panel with relay, wiring diagram with internal relay



4. Installation of the Capacitor (for single phase motor only)

- Ensure the capacitor matches the specification of the motor before installation.
- Install the capacitor with M5 screws (not included).
- Capacitor should be installed inside the electrical box or IP54 rated box to avoid electric shock.

Attention

- ▶ Install capacitor at least 10 cm away from motor to prevent heat damage to capacitor.

5. Electro Magnetic Brake Operate Precautions

- The Lining clearance will bigger than 0.3~0.35mm after a period of usage, please contact us to replace the lining.
- Isolating wiring is required when frequent braking condition.
- Brake frequency limit 10 times per minute.

6. Thermally Protected Motor Precaution

- Single phase thermally protected motor will restart automatically when motor temperature falls below a certain level. Always turn off the power before conducting checks or performing work on the motor.
- Thermal switch of three phases motor is installed with two red wires. Please connect two red wires to control system. Thermally protected motor will restart automatically when motor temperature falls below a certain level. Always turn off the power before conducting checks or performing work on the motor.

7. Trouble Shooting Guides

Please check the motor according to procedures below, if abnormal situation were found such as:

- The motor does not work or the speed cannot be raised
 - Check if the power supply fits the motor specification?
 - Confirm if the power supply is correctly connected?
 - Confirm if the motor is overloaded?
 - Confirm if the wires are well connected with the terminal block?
 - Confirm if the capacitor is well installed?
- The motor is over heated
 - Check if the power supply fits the motor specification?
 - Check if the temperature of the environment is under 40°C?
 - Confirm if the capacitor specification is correct?
- Noise
 - Check if the motor was blocked?
 - Check if an open-phase occurs?
 - Check if brake well functioning?
 - Check if the fan loosens?
- If the problem could not be solved via the procedures above, please DO NOT take apart of the motor, contact SESAME for technical support right away.

齒輪減速馬達 操作說明書

1. 注意事項

1.1 安裝前準備

- 使用前請熟讀“操作說明書”，若因人為原因、非產品本身原因或天災發生等因素而導致不良或損壞，在操作時違反本說明書所示內容而造成的損害，或未依照原本設計之使用方式及非經由本公司進行的改裝及維修所造成的故障，本公司將不承擔任何賠償責任，特此聲明，敬請見諒。
- 本公司的產品保固期間為購買產品後一年內。保固期限內，若產品因非人為因素而發生故障，客戶將產品寄回，本公司免費更換受損零件。
- 安裝前請先確定使用正確之電壓規格。
- 請勿施壓於出口線上。
- 請指定技術人員進行安裝。
- 請按照接線圖確實地進行接線，否則有可能引起火災或觸電。
- 請勿對馬達進行拆解或改造，否則有可能引起觸電或受傷。

1.2 安裝環境的限制

馬達必須依據下列條件安裝，不符合下列之安裝條件及使用環境將會損害到本馬達，不在保固範圍內。

- 本產品之設計或製造，為使用裝配於其他之機械設備上。
- 避免將馬達使用於可燃氣體或腐蝕氣體之環境。
- 限使用於室內。周溫範圍-10°C~+50°C (電容器組合馬達-10°C~+40°C)。
- 溼度: 不可超過85%，以避免水氣凝結。
- 高度: 不可超過海面1000公尺。
- 避免陽光直射，灰塵堆積。
- 避免水或油的噴濺。
- 避免連續性震動或撞擊。
- 使用於良好通風之場所。

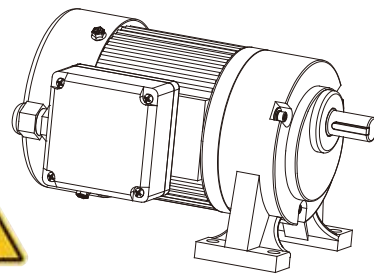
1.3 操作準備

- 馬達啟動前請檢查電源。
- 高溫會損害線圈或培林之壽命。
- 使用前請先確認電容器規格。
- 請勿搭配變頻器使用。
- 馬達接線錯誤會導致馬達燒毀。
- 馬達超負荷使用有燒毀之虞。

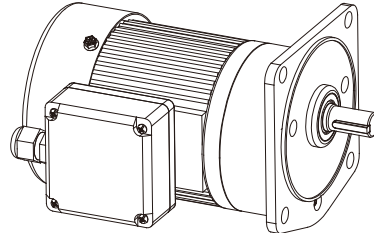
2. 負荷之取用及安裝方法

出力軸外徑為研磨加工，並以鍵槽作為傳動媒介，故傳動元件內孔請預銑鍵槽以便安裝。

〈臥式馬達〉



〈立式馬達〉



⚠ 請注意

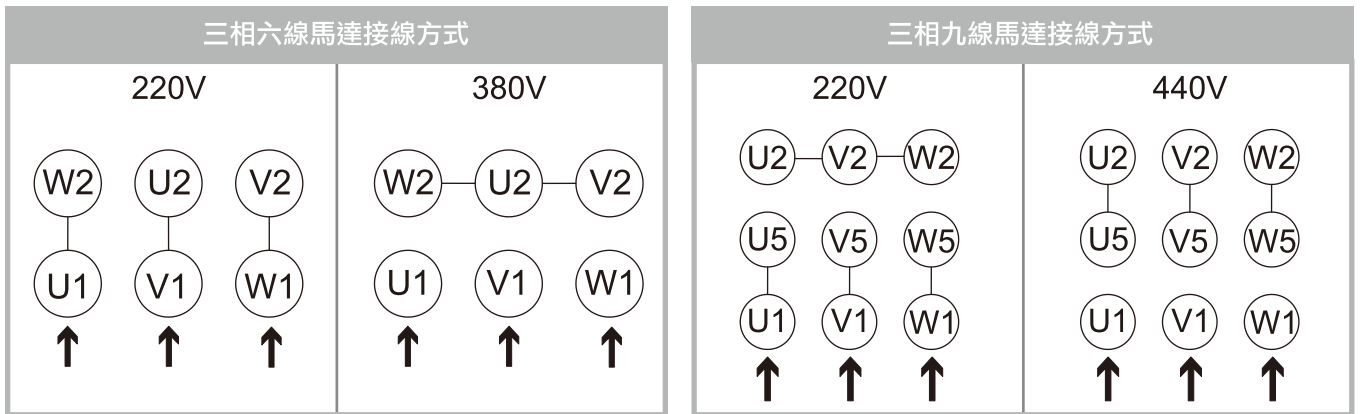
- 安裝過程中，請勿以任何工具敲擊，以免損壞馬達。
- 將本公司產品與其他產品搭配使用時，請確認是否符合客戶所需之規格、法規或限制等。
- 此外，請客戶自行確認目前所使用的系統、機械或是裝置是否適用於本公司產品。
- 如未確認是否符合或適用時，本公司無需對本公司產品的適用性負責。
- 對本產品進行任何維護工作前(包括安裝、拆卸、維修保養等)務必先關閉開關，切斷電源並且確保維護中電源不會被開啓。所有運轉部件都必須停止運轉。
- 未正確的配接電源可能會引起觸電導致嚴重傷害！請由合格電氣技師人員實施。
- 馬達運轉時表面溫度會超過40°C，可能造成燙傷。產品維護工作請於關閉電源並且等待馬達溫度降至室溫後實施。

3. 配線圖

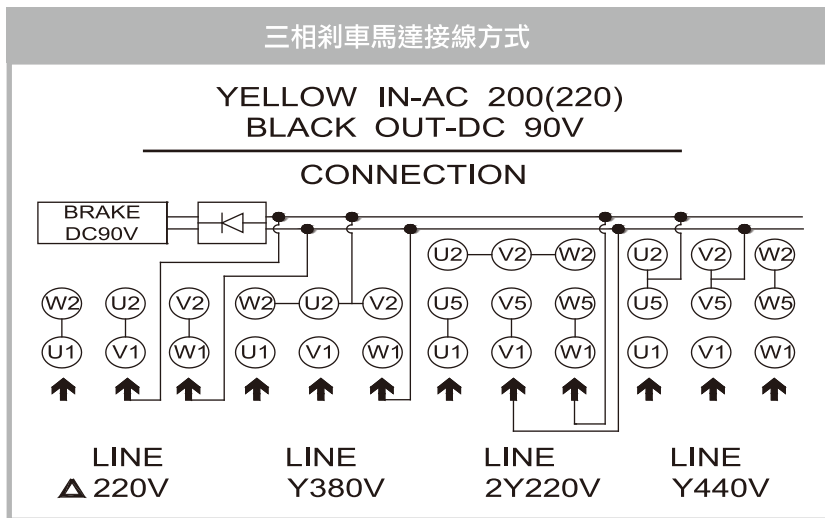
- 馬達運轉方向為從輸出軸上目測到的方向。正轉方向為順時鐘，逆轉方向為逆時鐘。

3.1 三相馬達

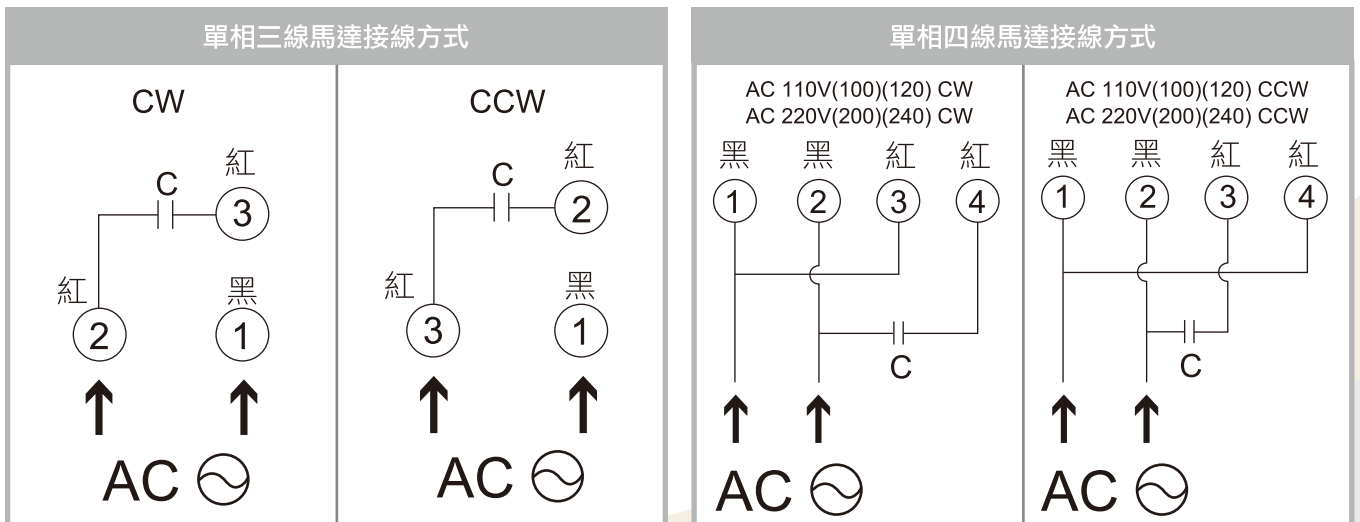
- 三相馬達依據出線數不同，接線方式請參考下圖。需逆轉時請將入電三線中任兩線交換即可。
- 三相馬達接線完成後請確實檢查，防止欠相及相位電壓不平衡。



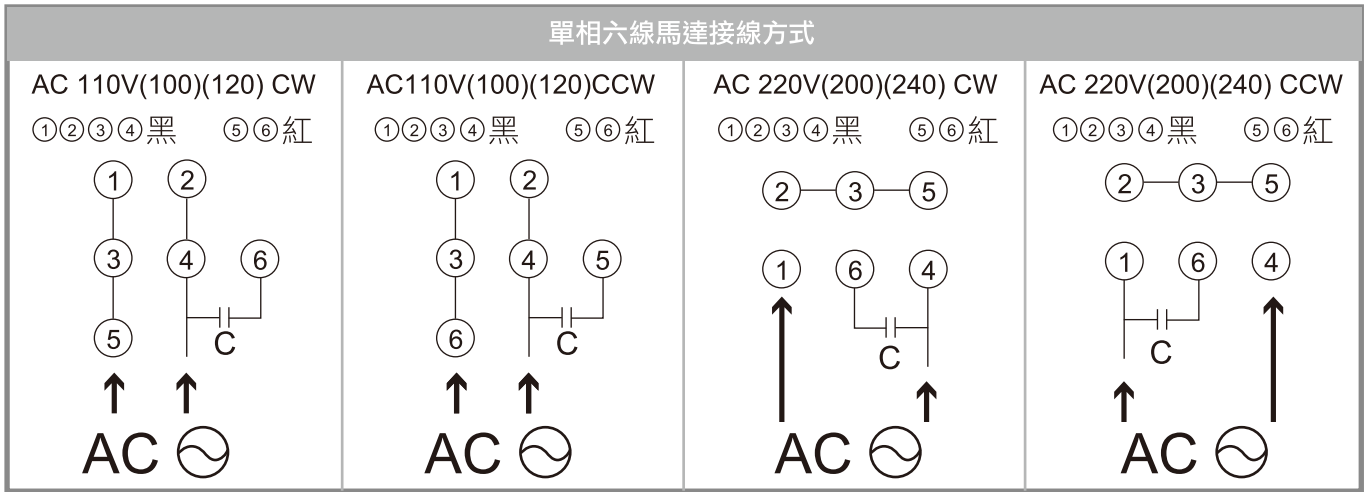
3.2 三相剎車馬達



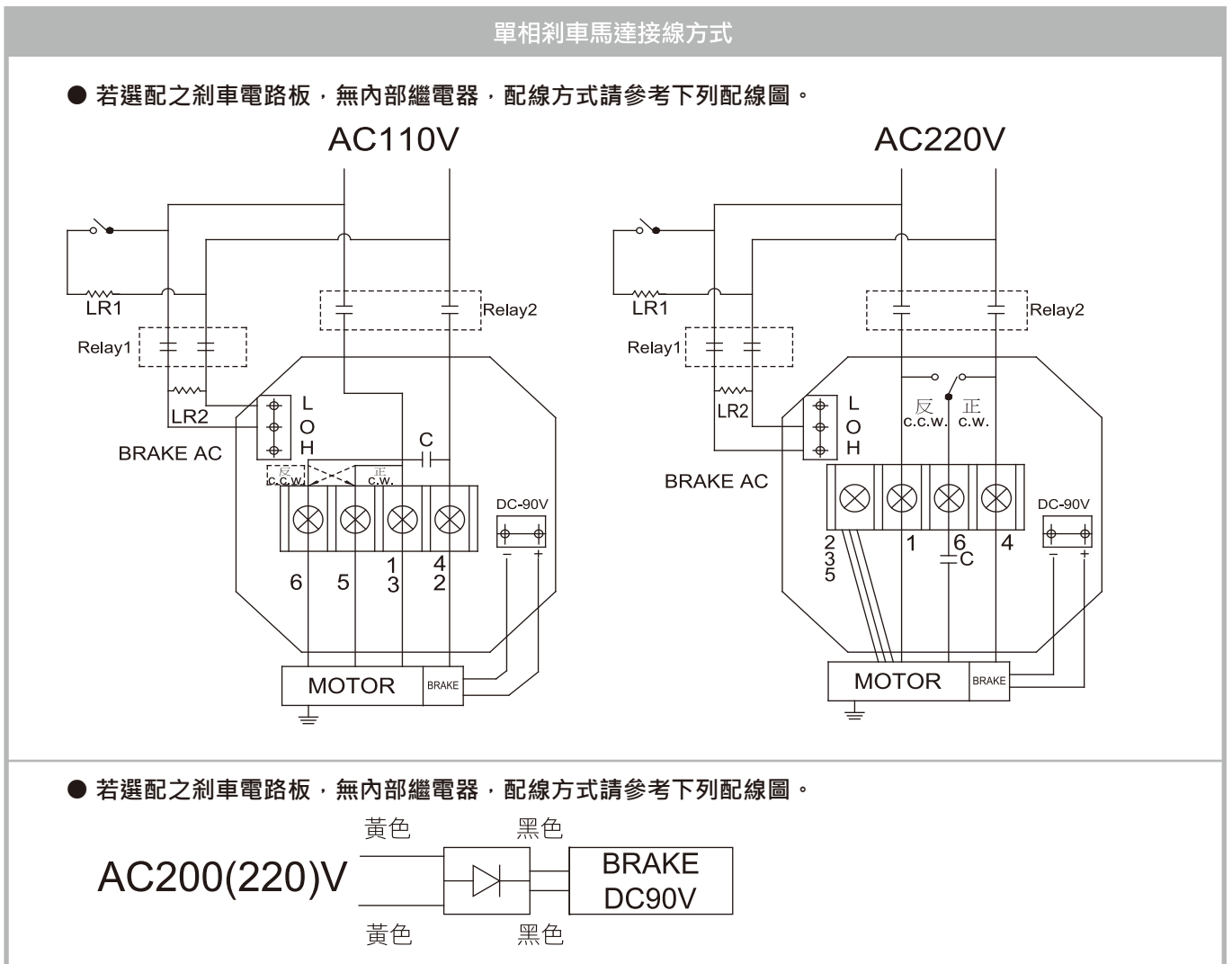
3.3 單相馬達



3.3 單相馬達 (續)



3.4 單相剎車馬達



4. 電容器安裝須知(僅附於單相馬達)

- 請再確認附屬的電容器容量是否符合馬達銘板上所記載的電容量再進行安裝。
- 安裝電容器時請用所附之電容器束環以M5的螺絲固定(本電容器不附安裝螺絲)。
- 電容器應安裝於電氣箱內或IP54保護盒內部，以避免電擊。

⚠ 請注意

▶ 電容器之安裝位置要離馬達外殼10cm以上，以防電容器會因受熱而縮短使用壽命。

5. 剎車器使用須知

請注意使用一段時間之後，來令片間隙超過0.3~0.35mm，請更換來令片。
剎車馬達使用頻繁及高應答時，請使用隔離配線。
感應式電磁剎車馬達之使用頻率不可大於10次/分

6. 溫控機種注意事項

- 單相馬達內藏過熱保護裝置，該裝置可在馬達因某種原因造成過熱時自行啟動而使馬達停止。馬達於溫度下降時會自動恢復運轉，所以在進行檢查作業時，請務必事先切斷電源。
- 三相馬達過熱保護裝置，輸出二條紅色出口線，請與控制系統連結。該裝置可在馬達因某種原因造成過熱時自行啟動而使馬達停止。馬達於溫度下降時會自動恢復運轉，所以在進行檢查作業時，請務必事先切斷電源。

7. 故障排除步驟

馬達動作異常時，請依步驟進行檢查。

- 馬達不轉或轉速無法提升
 - 馬達電壓是否符合規格?
 - 電源連接是否準確?
 - 負載是否過大?
 - 使用端子台或者壓接端子作連結時是否有接觸不良的狀況?
 - 電容器是否規格正確或安裝妥當?
- 馬達異常發熱
 - 馬達電壓是否符合規格?
 - 環境溫度是否過高(需 < 40°C)?
 - 電容器是否正確?
- 馬達發出異音
 - 確認是否有異物卡住?
 - 確認是否欠相?
 - 剎車器功能是否正常?
 - 風扇葉是否鬆脫?
- 若經以上檢查仍無法查出故障原因，請勿進行拆解，請儘快與世協電機聯絡，以取得技術協助。

SPECIFICATIONS AND DIMENSIONS, V-CASING TYPE

立式齒輪馬達 外型尺寸圖表

立式標準型馬達的接線盒位置在270°
Terminal box position: at 270° for V-casing type.

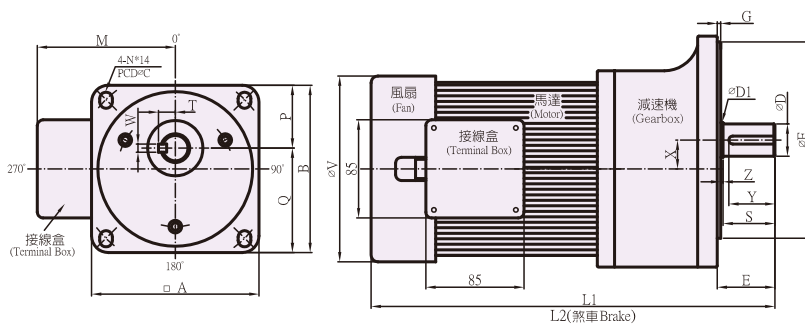


Figure II

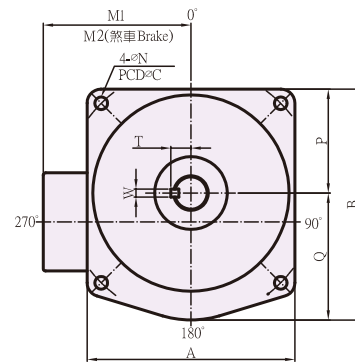


Figure I

立式尺寸表 DIMENSION (mm)

馬達容量 MOTOR'S CAPACITY	圖示 FIGURE NO.	型號 TYPE NO.	減速比 GEAR RATIO	A	B	C	E	F	G	L1	L2	M1	M2	N	P	Q	V	X	出力軸 OUTPUT SHAFT							
																			D	D1	S	T	W	Y	Z	
100W 1/8HP x4P	II	11	1/3~1/90	122	122	140	42.5	-	-	252	297	111	137	9x12	43	79	133	18	18	20	32	11.3	5	28	4	
	II	E11	1/3~1/90	145	145	170	44.5	-	-	255	300	111	137	11x14	54.5	90.5	133	18	22	25	35	14.5	7	28	3	
	I	12	1/75~1/165	155	167	185	50.5	140	3	273	318	111	137	11	77.5	89.5	133	18	22	25	40	14.3	7	35	7.5	
	II	E12	1/75~1/165	145	145	170	50.5	-	-	273.5	318.5	111	137	11x14	54.5	90.5	133	18	22	25	40	14.5	7	35	5.5	
200W 1/4HP x4P	II	11	1/3~1/40	122	122	140	42.5	-	-	277	322	111	137	9x12	43	79	133	18	18	20	32	11.3	5	28	4	
	II	E11	(1/50~1/90)	145	145	170	44.5	-	-	280	325	111	137	11x14	54.5	90.5	133	18	22	25	35	14.5	7	28	3	
	I	12	1/20~1/90	155	167	185	50.5	140	3	298	343	111	137	11	77.5	89.5	133	18	22	25	40	14.3	7	35	7.5	
	II	E12	(1/100~1/165)	145	145	170	50.5	-	-	298.5	343.5	111	137	11x14	54.5	90.5	133	18	22	25	40	14.5	7	35	5.5	
400W 1/2HP x4P	I	13	1/100~1/180	180	200	220	50	170	3	322.5	367.5	111	137	11	90	110	133	25	28	30	45	17.3	7	40	2	
	I	12	1/3~1/40	155	167	185	50.5	140	3	324	358.5	118.5	144.5	11	77.5	89.5	147	18	22	25	40	14.5	7	35	7.5	
	II	E12	(1/50~1/90)	145	145	170	50.5	-	-	324.5	360	118.5	144.5	11x14	54.5	90.5	147	18	22	25	40	14.5	7	35	7.5	
	I	13	1/50~1/90	180	200	220	50	170	3	348.5	383	118.5	144.5	11	90	110	147	25	28	30	45	17.3	7	40	2	
750W 1HP x4P	I	13	(1/100~1/180)	180	200	220	50	170	3	350	384.5	118.5	144.5	11	90	110	147	25	28	30	45	17.3	7	40	2	
	I	14	1/100~1/180	209	230	255	66	185	4	376	410.5	144.5	144.5	13	104	126	147	26	32	35	55	19.8	10	50	7	
	I	13	1/3~1/30	180	200	220	50	170	3	348.5	392	127	153	11	90	110	161	25	28	30	45	17.3	7	40	2	
	I	13	(1/40~1/90)	180	200	220	50	170	3	348.5	392	127	153	11	90	110	161	25	28	30	45	17.3	7	40	2	
	I	14	1/30~1/90	209	230	255	66	185	4	376	419.5	127	153	13	104	126	161	26	32	35	55	19.8	10	50	7	
1500W 2HP x4P	I	14	(1/100~1/180)	209	230	255	66	185	4	376	419.5	127	153	13	104	126	161	26	32	35	55	19.8	10	50	7	
	I	15	1/80~1/200	251	267.5	310	71	230	5	408	451.5	127	153	15	124.5	143	161	28	40	40	71	23.8	10	60	-	
	I	14	1/3~1/60	209	230	255	66	185	4	418	454.5	138.5	164.5	13	104	126	192	26	32	35	55	19.8	10	50	7	
2200W 3HP x4P	I	15	1/50~1/90	251	267.5	310	71	230	5	450	486.5	138.5	164.5	15	124.5	143	192	28	40	40	71	23.8	10	60	-	
	I	14	1/3~1/40	209	230	255	66	185	4	448	484.5	138.5	164.5	13	104	126	192	26	32	35	55	19.8	10	50	7	
	I	15	1/3~1/40	251	267.5	310	71	230	5	480	516.5	138.5	164.5	15	124.5	143	192	28	40	40	71	23.8	10	60	-	
			(1/50~1/90)	251	267.5	310	71	230	5	480	516.5	138.5	164.5	15	124.5	143	192	28	40	40	71	23.8	10	60	-	

※ 減速比 (■) 表輕負載機型。For light loading type.

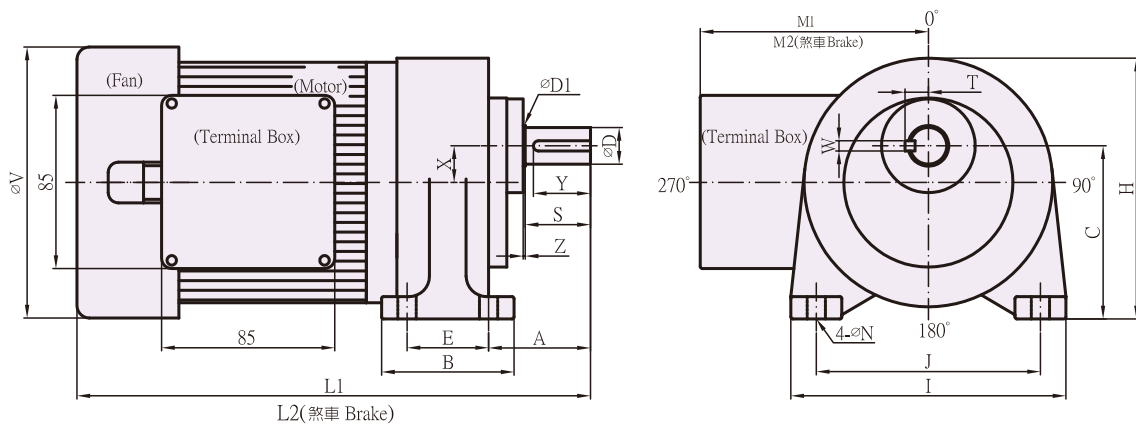
- 在正常使用狀態下，產品保固期限一年。
- Under normal usage, products come with a one-year limited warranty.
- 本公司有權針對以上數據規格進行設計變更不先行通知。
- Specifications subject to change without notice.

Products due to human error, natural disasters or other factors lead to poor or damaged, will not be covered under warranty. 產品因人為原因或天災等因素導致不良或損壞，不在保固範圍內。

SPECIFICATIONS AND DIMENSIONS, FOOT-MOUNT TYPE

臥式齒輪馬達 外型尺寸圖表

臥式標準型馬達的接線盒位置在270°
Terminal box position: at 270° for foot - mount type.



尺寸表 DIMENSION (mm)

馬達容量 MOTOR'S CAPACITY	型號 TYPE NO.	減速比 GEAR RATIO	A	B	C	E	H	I	J	L1	L2	M1	M2	N	V	X	出力軸 OUTPUT SHAFT									
																	D	D1	S	T	W	Y	Z			
100W 1/8HP x4P	11	1/3~1/90	50	65	85	40	128	135	110	252	297	111	137	9	133	18	18	20	32	11.3	5	28	1			
	12	1/75~1/165	60	90	94	65	147.5	158	130	273	318	111	137	11	133	18	22	25	40	14.3	7	35	8.5			
200W 1/4HP x4P	11	1/3~1/40	50	65	85	40	128	135	110	277	322	111	137	9	133	18	18	20	32	11.3	5	28	1			
	11	(1/50~1/90)	50	65	85	40	128	135	110	277	322	111	137	9	133	18	18	20	32	11.5	5	28	1			
	12	1/20~1/90	60	90	94	65	147.5	158	130	298	343	111	137	11	133	18	22	25	40	14.3	7	35	8.5			
	12	(1/100~1/165)	60	90	94	65	147.5	158	130	298	343	111	137	11	133	18	22	25	40	14.3	7	35	8.5			
400W 1/2HP x4P	13	1/100~1/180	68	120	115	90	175	180	140	322	367	111	137	11	133	25	28	30	45	17.3	7	40	2			
	12	1/3~1/40	60	90	94	65	147.5	158	130	324	358.5	118.5	144.5	11	147	18	22	25	40	14.3	7	35	8.5			
	12	(1/50~1/90)	60	90	94	65	147.5	158	130	324	358.5	118.5	144.5	11	147	18	22	25	40	14.5	7	35	8.5			
	13	1/50~1/90	68	120	115	90	175	180	140	348.5	383	118.5	144.5	11	147	25	28	30	45	17.3	7	40	2			
	13	(1/100~1/180)	68	120	115	90	175	180	140	348.5	383	118.5	144.5	11	147	25	28	30	45	17.3	7	40	2			
750W 1HP x4P	14	1/100~1/180	74	165	130	130	204	210	170	376	410.5	118.5	144.5	13	147	26	32	35	55	19.8	10	50	7			
	13	1/3~1/30	68	120	115	90	175	180	140	348.5	392	127	153	11	161	25	28	30	45	17.3	7	40	2			
	13	(1/40~1/90)	68	120	115	90	175	180	140	348.5	392	127	153	11	161	25	28	30	45	17.3	7	40	2			
	14	1/30~1/90	74	165	130	130	204	210	170	376	419.5	127	153	13	161	26	32	35	55	19.8	10	50	7			
	14	(1/100~1/180)	74	165	130	130	204	210	170	376	419.5	127	153	13	161	26	32	35	55	19.8	10	50	7			
1500W 2HP x4P	15	1/80~1/200	95	195	150	150	237	255	210	412	455.5	127	153	15	161	28	40	-	69	23.8	10	60	-			
	14	1/3~1/60	74	165	130	130	204	210	170	418	454.5	138.5	164.5	13	192	26	32	35	55	19.8	10	50	7			
	15	1/50~1/90	95	195	150	150	237	255	210	454	490.5	138.5	164.5	15	192	28	40	-	69	23.8	10	60	-			
2200W 3HP x4P	14	1/3~1/40	74	165	130	130	204	210	170	448	484.5	138.5	164.5	13	192	26	32	35	55	19.8	10	50	7			
	15	1/3~1/40	95	195	150	150	237	255	210	484	520.5	138.5	164.5	15	192	28	40	-	69	23.8	10	60	-			
	15	(1/50~1/90)	95	195	150	150	237	255	210	484	520.5	138.5	164.5	15	192	28	40	-	69	23.8	10	60	-			

※ 減速比 (■) 表輕負載機型。 For light loading type.

- 在正常使用狀態下，產品保固期限一年。
- 本公司有權針對以上數據規格逕行設計變更不先行通知。
- Under normal usage, products come with a one-year limited warranty.
- Specifications subject to change without notice.

G12T

V-CASING TYPE PRECISION GEAR MOTOR FOR ATC

立式刀臂用齒輪馬達

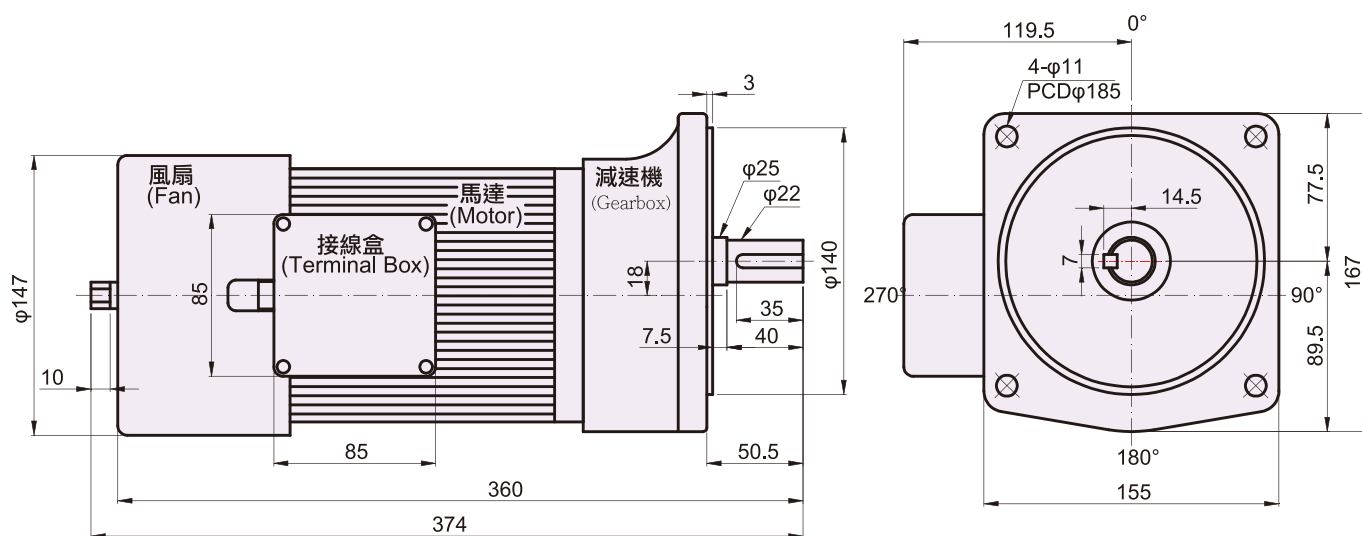
立式標準型馬達的接線盒位置在270°

Terminal box position: at 270° for V-casing type.



G12V560S-MH10T用於刀庫圖示
G12V560S-MH10T on ATC.





◎ 刀臂用齒輪馬達特性 FEATURES

機種名 MODEL	功率 OUTPUT (W)	電壓 VOLTAGE (V)	電流 CURRENT (A)	轉速 SPEED (RPM)	減速比 GEAR RATIO	輸出轉矩 OUTPUT TORQUE (N-m)	輸出轉速 OUTPUT SPEED (RPM)	煞車電壓 BRAKE VOLTAGE (V)	停止時間 STOP TIME (ms)	過轉角度 OVER RUN DEGREE
G12T400S M10	400	3 相220(50HZ)	2.84	1350	10	28.9	135	90~99	<90ms	<70°
		3 相380(50HZ)	1.58	1350		28.7	135			
		3 相220(60HZ)	2.89	1600		24.6	160		<75ms	
		3 相380(60HZ)	1.64	1600		24.1	165			
G12T560S M10	560	3 相220(50HZ)	3.54	1300	10	41.8	130	90~99	<90ms	<70°
		3 相380(50HZ)	2.04	1300		41.7	130			
		3 相220(60HZ)	3.43	1550		34.5	155		<80ms	
		3 相380(60HZ)	1.95	1550		35.1	155			

Note:

- 1.停止時間:減速馬達空載狀態下,煞車器電壓釋放後至減速馬達完全停止,完全停止所需的時間依負荷大小會有長短。
- 2.過轉角度:減速馬達空載狀態下,煞車器電壓釋放後至減速馬達完全停止,其間輸出軸所運轉的角度依負荷大小會有長短。

Note:

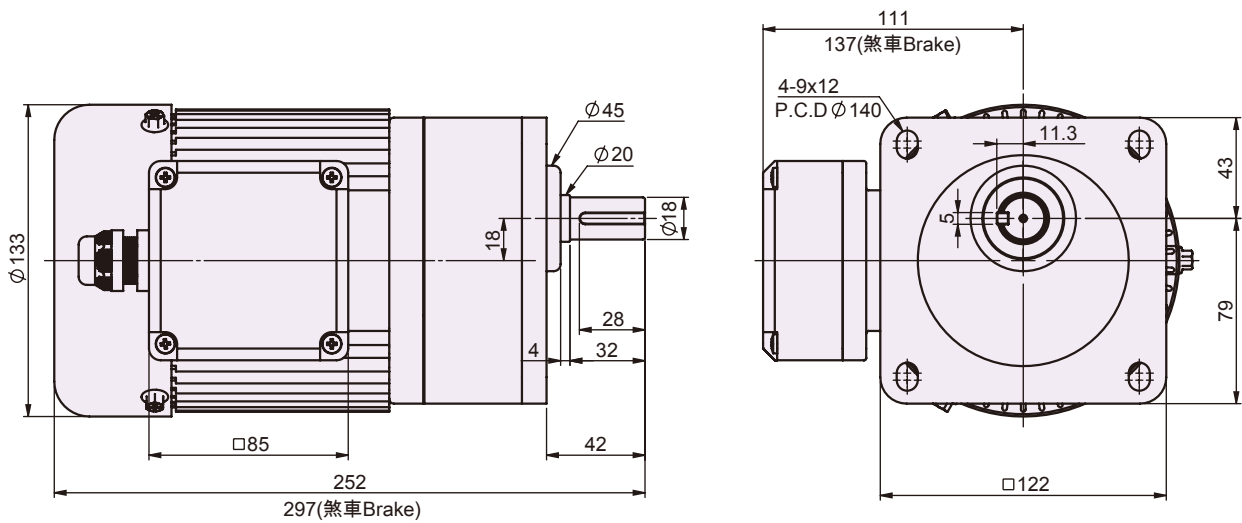
- 1.Stop Time: The time required to complete stop motor without loading. The time required to completely stop will vary depending on loading.
- 2.Over run degree: The angle that output shaft runs after the brake is activated. The angle will vary depending on loading.

G11V-100W

SINGLE/3-PHASE V-CASING TYPE PRECISION GEAR MOTOR

立式單相、三相齒輪馬達

立式標準型馬達的接線盒位置在270°
Terminal box position: at 270° for V-casing type.



馬力 (KW)	全負荷電流 Full Load Current (Amp)						全負荷迴轉數 Full Load Running (rpm)	
	三相 (3 Phase)				單相 (1 phase)			
	220V		380V		110V	220V	50HZ	60HZ
	50HZ	60HZ	50HZ	60HZ	60HZ	60HZ		
100W	0.66	0.58	0.35	0.32	1.41	0.79	1400	1700

齒輪減速馬達性能表 GEAR MOTOR SPECIFICATION

減速比 Gear Ratio	3		5		10		15		20		25		30		40		50		60		75		90	
	50HZ	60HZ	50HZ	60HZ	50HZ	60HZ	50HZ	60HZ	50HZ	60HZ	50HZ	60HZ	50HZ	60HZ	50HZ	60HZ	50HZ	60HZ	50HZ	60HZ	50HZ	60HZ	50HZ	60HZ
出力同步 迴轉數 Output rpm	500	600	300	360	150	180	100	120	75	90	60	72	50	60	37.5	45	30	36	25	30	20	24	16	20
馬達額定 輸出轉矩 Output Torque 單位: Kg.m	0.18	0.15	0.3	0.26	0.6	0.51	0.89	0.76	1.2	1.02	1.31	1.12	1.58	1.35	2.02	1.8	2.62	2.25	3.15	2.7	3.94	3.6	4.73	4.59
容許懸吊 荷重* Permissible Overhung Load* 單位: Kgf	70	60	80	70	100	90	110	110	130	120	140	130	140	140	160	150	170	160	170	170	170	170	170	170

* 作用於輸出軸的中心位置。 Applied to the output shaft center.

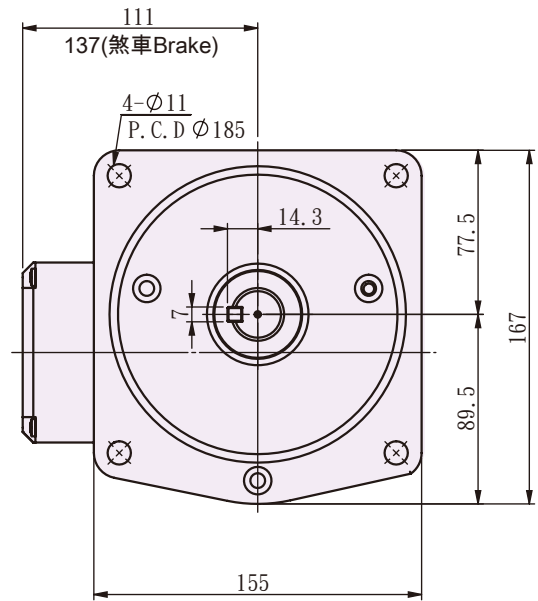
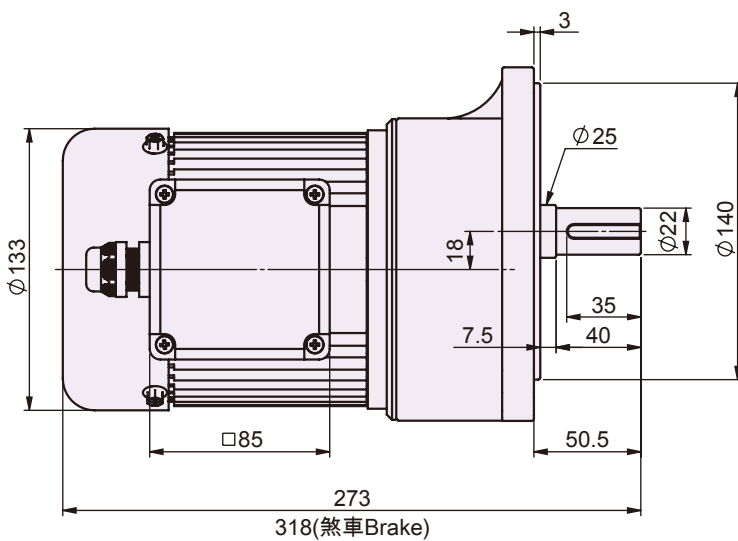
Products due to human error, natural disasters or other factors lead to poor or damaged, will not be covered under warranty. 產品因人為原因或天災等因素導致不良或損壞，不在保固範圍內。

G12V-100W

SINGLE/3-PHASE V-CASING TYPE PRECISION GEAR MOTOR

立式單相、三相齒輪馬達

立式標準型馬達的接線盒位置在270°
Terminal box position: at 270° for V-casing type.



馬力 (KW)	全負荷電流 Full Load Current (Amp)						全負荷迴轉數 Full Load Running (rpm)	
	三相 (3 Phase)				單相 (1 phase)			
	220V		380V		110V	220V	50HZ	60HZ
	50HZ	60HZ	50HZ	60HZ	60HZ	60HZ		
100W	0.66	0.58	0.35	0.32	1.41	0.79	1400	1700

齒輪減速馬達性能表 GEAR MOTOR SPECIFICATION

減速比 Gear Ratio	75		90		100		120		150		165	
	50HZ	60HZ	50HZ	60HZ	50HZ	60HZ	50HZ	60HZ	50HZ	60HZ	50HZ	60HZ
出力同步 迴轉數 Output rpm	20	24	16	20	15	18	12.5	15	10	12	9	11
馬達額定 輸出轉矩 Output Torque 單位: Kg.m	3.94	3.6	4.73	4.59	5.25	5.10	6.30	6.12	7.88	7.65	9.96	8.30
容許懸吊 荷重* Permissible Overhung Load* 單位: Kgf	240	240	240	240	240	240	240	240	240	240	240	240

* 作用於輸出軸的中心位置。 Applied to the output shaft center.

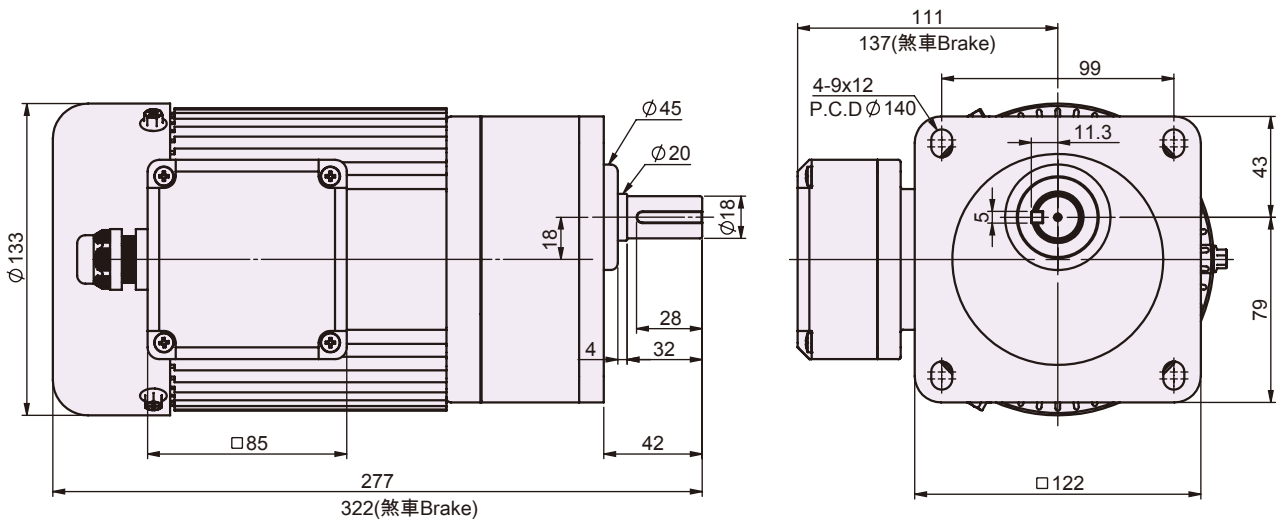
立式 100W
V-Casing Types
立式 200W
V-Casing Types
立式 400W
V-Casing Types
立式 750W
V-Casing Types
立式 1500W
V-Casing Types
立式 2200W
V-Casing Types
臥式 100W
Foot-Mount Types
臥式 200W
Foot-Mount Types
臥式 400W
Foot-Mount Types
臥式 750W
Foot-Mount Types
臥式 1500W
Foot-Mount Types
臥式 2200W
Foot-Mount Types

G11V-200W

SINGLE/3-PHASE V-CASING TYPE PRECISION GEAR MOTOR

立式單相、三相齒輪馬達

立式標準型馬達的接線盒位置在270°
Terminal box position: at 270° for V-casing type.



馬力 (KW)	全負荷電流 Full Load Current (Amp)						全負荷迴轉數 Full Load Running (rpm)	
	三相 (3 Phase)				單相 (1 Phase)			
	220V		380V		110V	220V	50HZ	60HZ
	50HZ	60HZ	50HZ	60HZ	60HZ	60HZ		
200W	1.28	1.29	0.72	0.66	2.59	1.42	1400	1700

齒輪減速馬達性能表 GEAR MOTOR SPECIFICATION

減速比 Gear Ratio	3		5		7.5		10		15		20		25		30		40		50		60		75		90	
	50HZ	60HZ	50HZ	60HZ	50HZ	60HZ	50HZ	60HZ	50HZ	60HZ	50HZ	60HZ	50HZ	60HZ	50HZ	60HZ	50HZ	60HZ	50HZ	60HZ	50HZ	60HZ	50HZ	60HZ	50HZ	60HZ
出力同步 迴轉數 Output rpm	500	600	300	360	200	240	150	180	100	120	75	90	60	72	50	60	37.5	45	30	36	25	30	20	24	16	20
馬達額定 輸出轉矩 Output Torque 單位: Kg.m	0.36	0.31	0.60	0.52	0.90	0.75	1.19	1.02	1.79	1.53	2.10	1.80	2.63	2.25	3.15	2.7	4.2	3.6	5.25	4.5	6.3	5.4	7.88	6.75	9.45	8.1
容許懸吊 荷重* Permissible Overhung Load* 單位: Kg	70	60	80	70	90	90	100	90	110	110	130	120	140	130	140	140	160	150	170	160	170	170	170	170	170	170

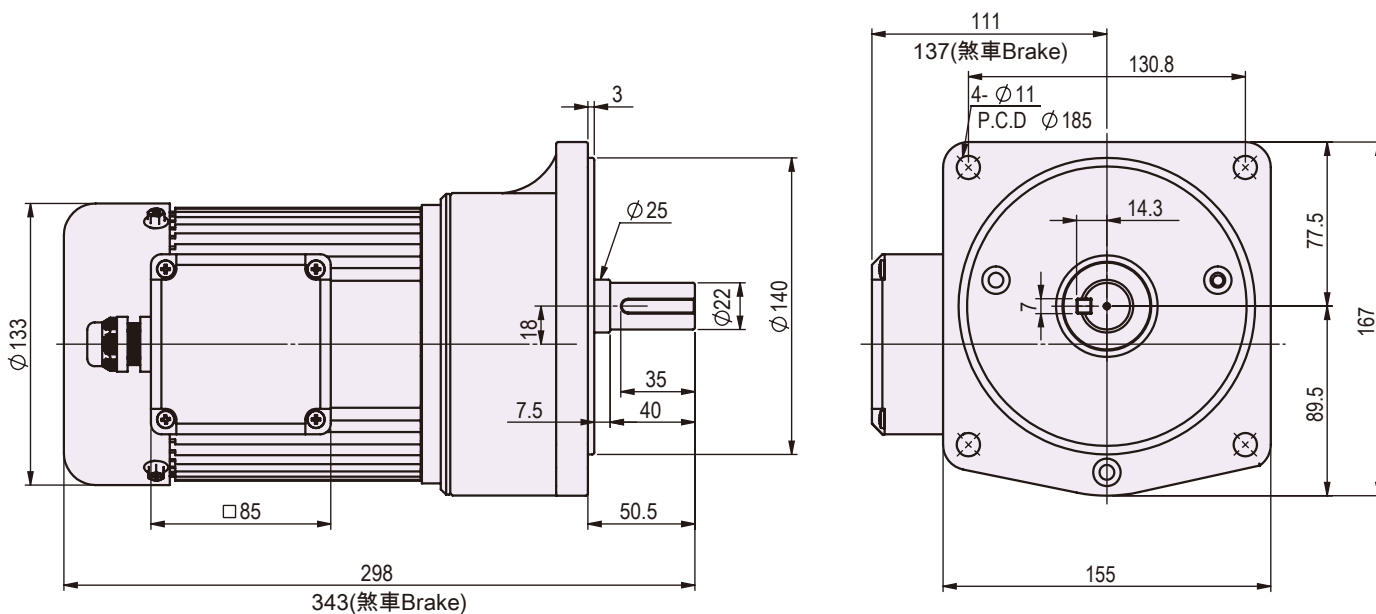
* 作用於輸出軸的中心位置。Applied to the output shaft center.
* 減速比 (■) 表輕負載機型。For light loading type.

Products due to human error, natural disasters or other factors lead to poor or damaged, will not be covered under warranty. 產品因人為原因或天災等因素導致不良或損壞，不在保固範圍內。

G12V-200W SINGLE/3-PHASE V-CASING TYPE PRECISION GEAR MOTOR

立式單相、三相齒輪馬達

立式標準型馬達的接線盒位置在270°
Terminal box position: at 270° for V-casing type.



馬力 (KW)	全負荷電流 Full Load Current (Amp)								全負荷迴轉數 Full Load Running (rpm)	
	三相 (3 Phase)				單相 (1 Phase)					
	220V		380V		110V		220V			
	50HZ	60HZ	50HZ	60HZ	60HZ		60HZ	50HZ	60HZ	
200W	1.28	1.29	0.72	0.66	2.59		1.42	1400	1700	

齒輪減速馬達性能表 GEAR MOTOR SPECIFICATION

減速比 Gear Ratio	20		30		40		50		60		75		80		90		100		120		150		165	
	50HZ	60HZ	50HZ	60HZ	50HZ	60HZ	50HZ	60HZ	50HZ	60HZ	50HZ	60HZ	50HZ	60HZ	50HZ	60HZ	50HZ	60HZ	50HZ	60HZ	50HZ	60HZ	50HZ	60HZ
出力同步迴轉數 Output rpm	75	90	50	60	37.5	45	30	36	25	30	20	24	19	22.5	16	20	15	18	12.5	15	10	12	9	11
馬達額定輸出轉矩 Output Torque 單位: Kg.m	2.10	1.80	3.15	2.70	4.20	3.60	5.25	4.50	6.30	5.40	7.88	6.75	9.65	8.04	9.45	8.10	10.59	9	12.6	10.8	15.75	13.5	19.92	16.6
容許懸吊荷重* Permissible Overhung Load* 單位: Kgf	180	170	200	190	220	210	240	230	240	240	240	240	240	240	240	240	240	240	240	240	240	240	240	240

* 作用於輸出軸的中心位置。Applied to the output shaft center.
* 減速比 (■) 表輕負載機型。For light loading type.

立式 100W
V-Casing Types

立式 200W
V-Casing Types

立式 400W
V-Casing Types

立式 750W
V-Casing Types

立式 1500W
V-Casing Types

立式 2200W
V-Casing Types

臥式 100W
Foot-Mount Types

臥式 200W
Foot-Mount Types

臥式 400W
Foot-Mount Types

臥式 750W
Foot-Mount Types

臥式 1500W
Foot-Mount Types

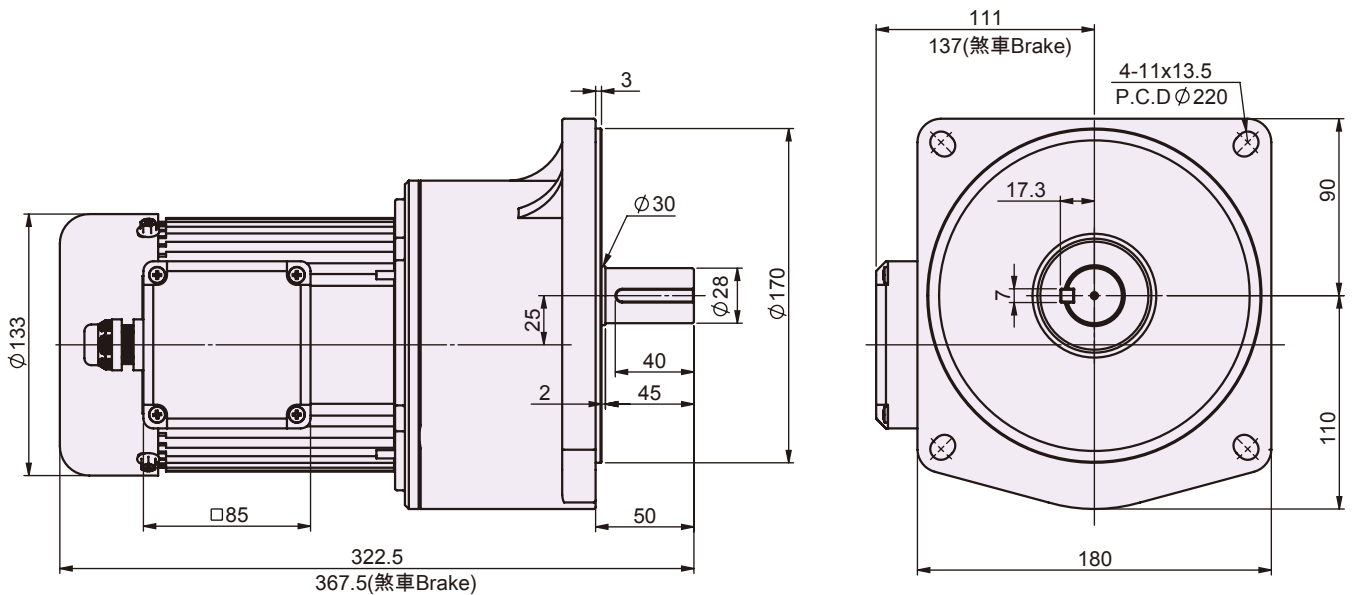
臥式 2200W
Foot-Mount Types

G13V-200W

SINGLE/3-PHASE V-CASING TYPE PRECISION GEAR MOTOR

立式單相、三相齒輪馬達

立式標準型馬達的接線盒位置在270°
Terminal box position: at 270° for V-casing type.



馬力 (KW)	全負荷電流 Full Load Current (Amp)								全負荷迴轉數 Full Load Running (rpm)	
	三相 (3 phase)				單相 (1 phase)					
	220V		380V		110V	220V				
	50HZ	60HZ	50HZ	60HZ	60HZ	60HZ	50HZ	60HZ		
200W	1.28	1.29	0.72	0.66	2.59	1.42	1400	1700		

齒輪減速馬達性能表 GEAR MOTOR SPECIFICATION

減速比 Gear Ratio	100		120		150		165		180	
	50HZ	60HZ	50HZ	60HZ	50HZ	60HZ	50HZ	60HZ	50HZ	60HZ
出力同步 迴轉數 Output rpm	15	18	12.5	15	10	12	9	11	8	10
馬達額定 輸出轉矩 Output Torque 單位: Kg.m	10.59	9	12.6	10.8	15.75	13.5	19.92	16.6	21.73	18.11
容許懸吊 荷重* Permissible Overhung Load* 單位: Kg	400	400	400	400	400	400	400	400	400	400

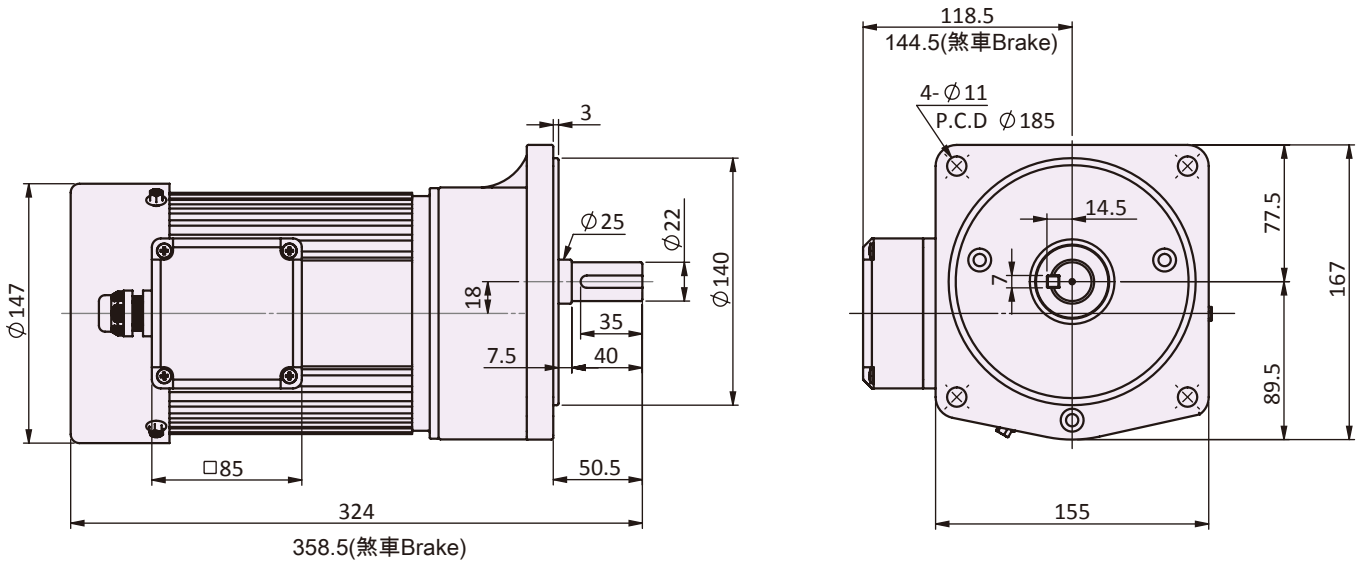
* 作用於輸出軸的中心位置。 Applied to the output shaft center.

Products due to human error, natural disasters or other factors lead to poor or damaged, will not be covered under warranty. 產品因人為原因或天災等因素導致不良或損壞，不在保固範圍內。

G12V-400W SINGLE/3-PHASE V-CASING TYPE PRECISION GEAR MOTOR

立式單相、三相齒輪馬達

立式標準型馬達的接線盒位置在270°
Terminal box position: at 270° for V-casing type.



馬力 (KW)	全負荷電流 Full Load Current (Amp)						全負荷迴轉數 Full Load Running (rpm)	
	三相 (3 Phase)				單相 (1 phase)			
	220V		380V		110V	220V	50HZ	60HZ
	50HZ	60HZ	50HZ	60HZ	60HZ	60HZ		
400W	2.28	1.87	1.32	1.09	5.36	2.79	1400	1700

齒輪減速馬達性能表 GEAR MOTOR SPECIFICATION

減速比 Gear Ratio	3		5		7.5		10		15		20		25		30		40		50		60		75		90		
	50HZ	60HZ	50HZ	60HZ	50HZ	60HZ	50HZ	60HZ	50HZ	60HZ	50HZ	60HZ	50HZ	60HZ	50HZ	60HZ	50HZ	60HZ	50HZ	60HZ	50HZ	60HZ	50HZ	60HZ	50HZ	60HZ	
出力同步 迴轉數 Output rpm	500	600	300	360	200	240	150	180	100	120	75	90	60	72	50	60	37.5	45	30	36	25	30	20	24	16	20	
馬達額定 輸出轉矩 Output Torque 單位: Kg.m	0.74	0.62	1.24	1.04	1.86	1.55	2.48	2.07	3.71	3.11	4.40	3.68	5.50	4.60	6.60	5.52	8.80	7.36	11.00	9.20	13.20	11.04	16.50	13.80	19.80	16.56	
容許懸吊 荷重* Permissible Overhung Load* 單位: Kgf	90	90	110	100	130	120	140	130	160	150	180	170	190	180	200	190	220	210	240	230	240	240	240	240	240	240	240

* 作用於輸出軸的中心位置。Applied to the output shaft center.
* 減速比 (■) 表輕負載機型。For light loading type.

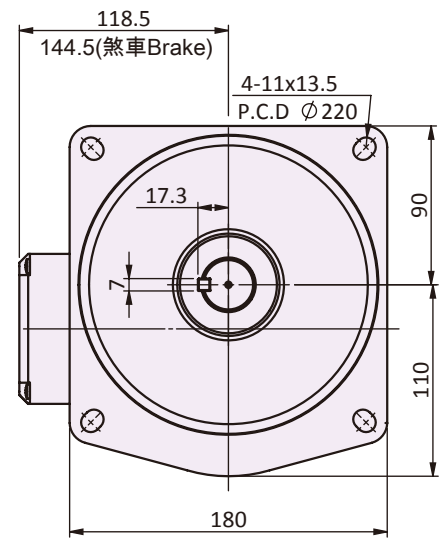
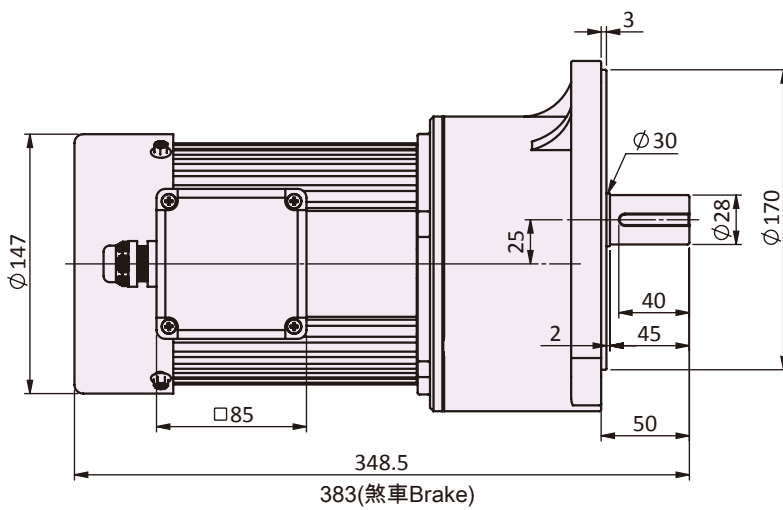
立式 100W
V-Casing Types
立式 200W
V-Casing Types
立式 400W
V-Casing Types
立式 750W
V-Casing Types
立式 1500W
V-Casing Types
立式 2200W
V-Casing Types
臥式 100W
Foot-Mount Types
臥式 200W
Foot-Mount Types
臥式 400W
Foot-Mount Types
臥式 750W
Foot-Mount Types
臥式 1500W
Foot-Mount Types
臥式 2200W
Foot-Mount Types

G13V-400W

SINGLE/3-PHASE V-CASING TYPE PRECISION GEAR MOTOR

立式單相、三相齒輪馬達

立式標準型馬達的接線盒位置在270°
Terminal box position: at 270° for V-casing type.



馬力 (KW)	全負荷電流 Full Load Current (Amp)						全負荷迴轉數 Full Load Running (rpm)	
	三相 (3 phase)				單相 (1 phase)			
	220V		380V		110V	220V	50HZ	60HZ
	50HZ	60HZ	50HZ	60HZ	60HZ	60HZ		
400W	2.28	1.87	1.32	1.09	5.36	2.79	1400	1700

齒輪減速馬達性能表 GEAR MOTOR SPECIFICATION

減速比 Gear Ratio	50		60		75		90		100		120		150		165		180	
	50HZ	60HZ	50HZ	60HZ	50HZ	60HZ	50HZ	60HZ	50HZ	60HZ	50HZ	60HZ	50HZ	60HZ	50HZ	60HZ	50HZ	60HZ
出力同步迴轉數 Output rpm	30	36	25	30	20	24	16	20	15	18	12.5	15	10	12	9	11	8	10
馬達額定輸出轉矩 Output Torque 單位: Kg.m	11.00	9.20	13.20	11.04	16.50	13.80	19.80	16.56	22.00	18.40	26.40	22.08	33.00	27.60	36.3	30.36	39.60	33.12
容許懸吊荷重* Permissible Overhung Load* 單位: Kg	400	380	400	400	400	400	400	400	400	400	400	400	400	400	400	400	400	400

* 作用於輸出軸的中心位置。Applied to the output shaft center.

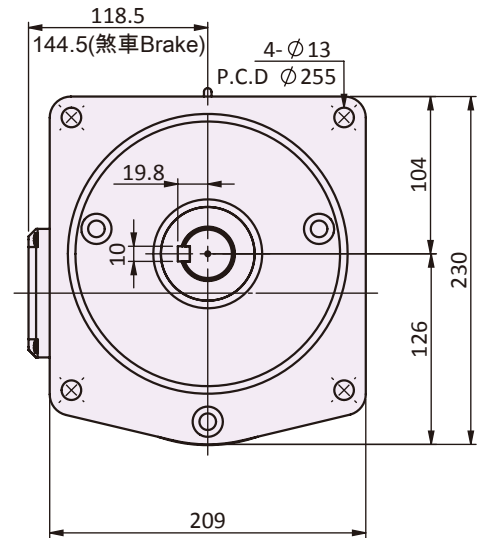
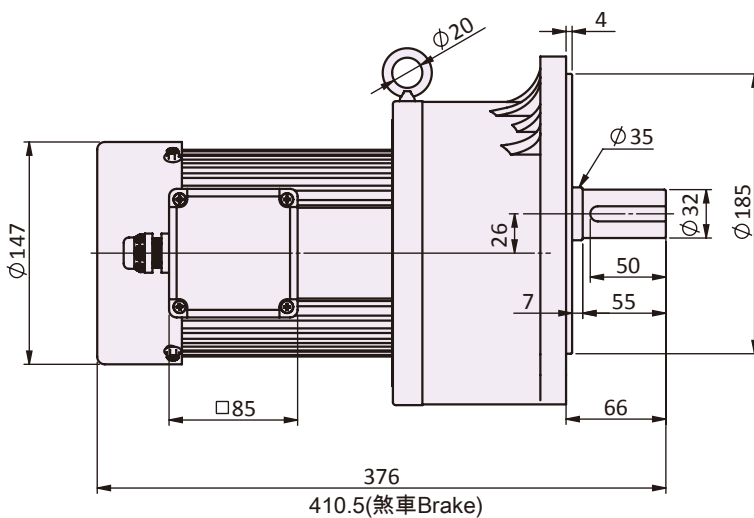
* 減速比 (■) 表輕負載機型。For light loading type.

Products due to human error, natural disasters or other factors lead to poor or damaged, will not be covered under warranty. 產品因人為原因或天災等因素導致不良或損壞，不在保固範圍內。

G14V-400W SINGLE/3-PHASE V-CASING TYPE PRECISION GEAR MOTOR

立式單相、三相齒輪馬達

立式標準型馬達的接線盒位置在270°
Terminal box position: at 270° for V-casing type.



馬力 (KW)	全負荷電流 Full Load Current (Amp)						全負荷迴轉數 Full Load Running (rpm)	
	三相 (3 Phase)				單相 (1 phase)			
	220V		380V		110V	220V	50HZ	60HZ
	50HZ	60HZ	50HZ	60HZ	60HZ	60HZ		
400W	2.28	1.87	1.32	1.09	5.36	2.79	1400	1700

齒輪減速馬達性能表 GEAR MOTOR SPECIFICATION

減速比 Gear Ratio	100		120		150		165		180	
	50HZ	60HZ	50HZ	60HZ	50HZ	60HZ	50HZ	60HZ	50HZ	60HZ
出力同步迴轉數 Output rpm	15	18	12.5	15	10	12	9	11	8	10
馬達額定輸出轉矩 Output Torque 單位: Kg.m	22.00	18.40	26.4	22.08	33.00	27.60	36.3	30.36	39.60	33.12
容許懸吊荷重* Permissible Overhung Load* 單位: Kgf	470	470	470	470	470	470	470	470	470	470

* 作用於輸出軸的中心位置。 Applied to the output shaft center.

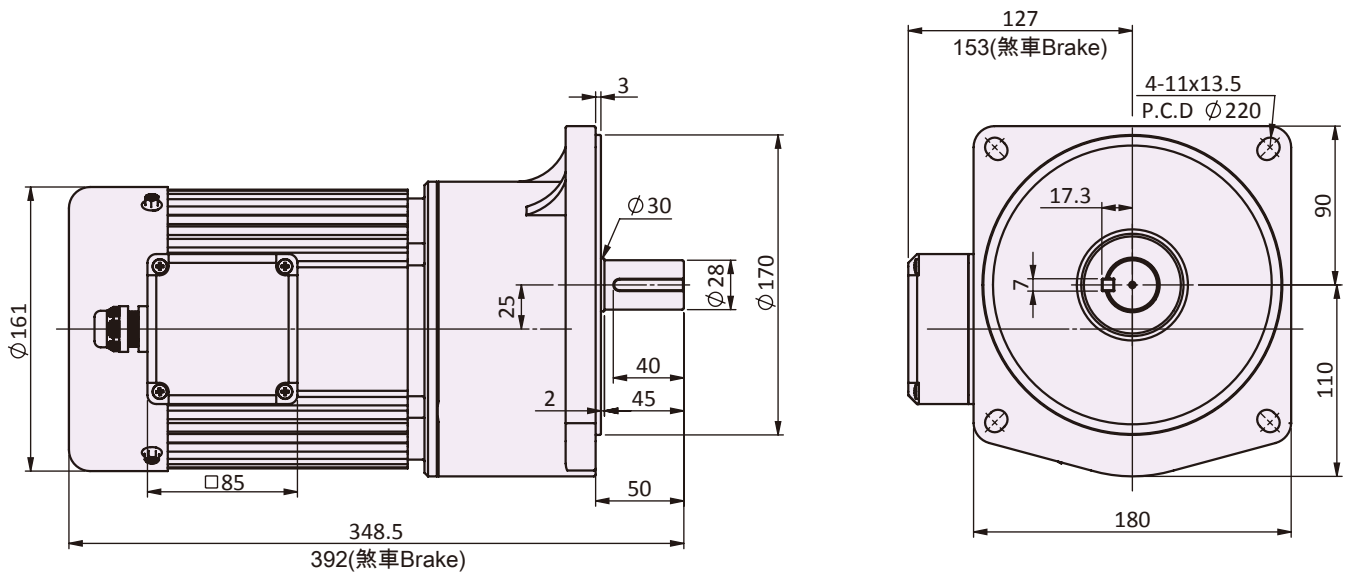
立式 100W
V-Casing Types
立式 200W
V-Casing Types
立式 400W
V-Casing Types
立式 750W
V-Casing Types
立式 1500W
V-Casing Types
立式 2200W
V-Casing Types
臥式 100W
Foot-Mount Types
臥式 200W
Foot-Mount Types
臥式 400W
Foot-Mount Types
臥式 750W
Foot-Mount Types
臥式 1500W
Foot-Mount Types
臥式 2200W
Foot-Mount Types

G13V-750W

SINGLE/3-PHASE V-CASING TYPE PRECISION GEAR MOTOR

立式單相、三相齒輪馬達

立式標準型馬達的接線盒位置在270°
Terminal box position: at 270° for V-casing type.



馬力 (KW)	全負荷電流 Full Load Current (Amp)						全負荷迴轉數 Full Load Running (rpm)	
	三相 (3 Phase)				單相 (1 phase)			
	220V		380V		110V	220V	50HZ	60HZ
	50HZ	60HZ	50HZ	60HZ	60HZ	60HZ		
750W	3.2	2.98	1.9	1.71	10.35	5.18	1400	1700

◎ 齒輪減速馬達性能表 GEAR MOTOR SPECIFICATION

減速比 Gear Ratio	3		5		10		15		20		25		30		40		50		60		75		90	
	50HZ	60HZ	50HZ	60HZ	50HZ	60HZ	50HZ	60HZ	50HZ	60HZ	50HZ	60HZ	50HZ	60HZ	50HZ	60HZ	50HZ	60HZ	50HZ	60HZ	50HZ	60HZ	50HZ	60HZ
出力同步 迴轉數 Output rpm	500	600	300	360	150	180	100	120	75	90	60	72	50	60	37.5	45	30	36	25	30	20	24	16	20
馬達額定 輸出轉矩 Output Torque 單位: Kg.m	1.40	1.19	2.34	1.98	4.68	3.96	7.02	5.94	8.32	7.04	10.40	8.80	12.48	10.56	16.64	14.08	20.80	17.60	24.96	21.12	31.20	26.40	37.44	31.68
容許懸吊 荷重* Permissible Overhung Load* 單位: Kg	160	150	190	180	240	220	270	250	300	280	320	300	340	320	370	350	400	380	400	400	400	400	400	400

* 作用於輸出軸的中心位置。Applied to the output shaft center.

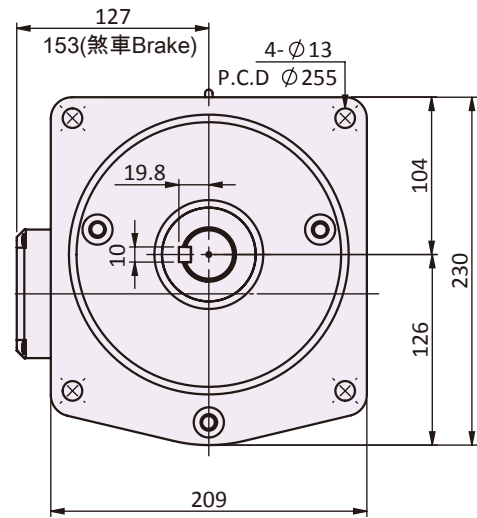
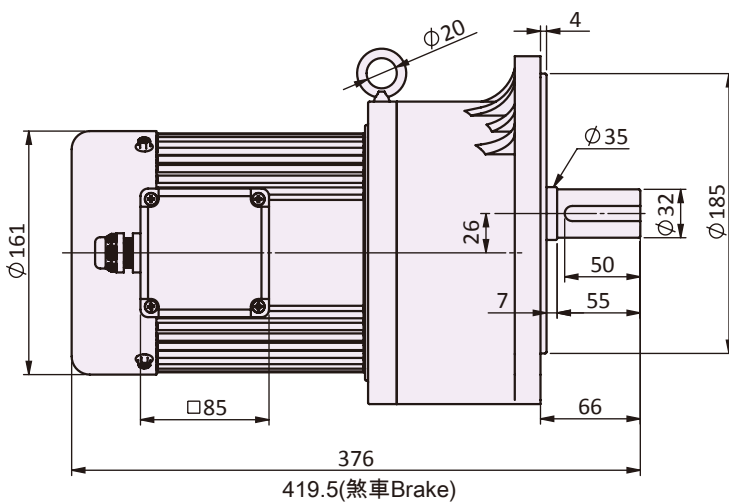
* 減速比 () 表輕負載機型。For light loading type.

Products due to human error, natural disasters or other factors lead to poor or damaged, will not be covered under warranty. 產品因人為原因或天災等因素導致不良或損壞, 不在保固範圍內。

G14V-750W SINGLE/3-PHASE V-CASING TYPE PRECISION GEAR MOTOR

立式單相、三相齒輪馬達

立式標準型馬達的接線盒位置在270°
Terminal box position: at 270° for V-casing type.



馬力 (KW)	全負荷電流 Full Load Current (Amp)						全負荷迴轉數 Full Load Running (rpm)	
	三相 (3 phase)				單相 (1 phase)			
	220V		380V		110V	220V	50HZ	60HZ
	50HZ	60HZ	50HZ	60HZ	60HZ	60HZ		
750W	3.2	2.98	1.9	1.71	10.35	5.18	1400	1700

齒輪減速馬達性能表 GEAR MOTOR SPECIFICATION

減速比 Gear Ratio	30		40		50		60		75		80		90		100		120		150		180	
	50HZ	60HZ	50HZ	60HZ	50HZ	60HZ	50HZ	60HZ	50HZ	60HZ	50HZ	60HZ	50HZ	60HZ	50HZ	60HZ	50HZ	60HZ	50HZ	60HZ	50HZ	60HZ
出力同步 迴轉數 Output rpm	50	60	37.5	45	30	36	25	30	20	24	19	22.5	16	20	15	18	12.5	15	10	12	8	10
馬達額定 輸出轉矩 Output Torque 單位: Kg.m	12.48	10.56	16.64	14.08	20.80	17.60	24.96	21.12	31.20	26.40	33.28	28.16	37.44	31.68	41.60	35.20	49.92	42.24	62.40	52.80	74.88	63.36
容許懸吊 荷重* Permissible Overhung Load* 單位: Kgf	390	370	430	410	470	440	470	470	470	470	470	470	470	470	470	470	470	470	470	470	470	470

* 作用於輸出軸的中心位置。Applied to the output shaft center.

* 減速比 () 表輕負載機型。For light loading type.

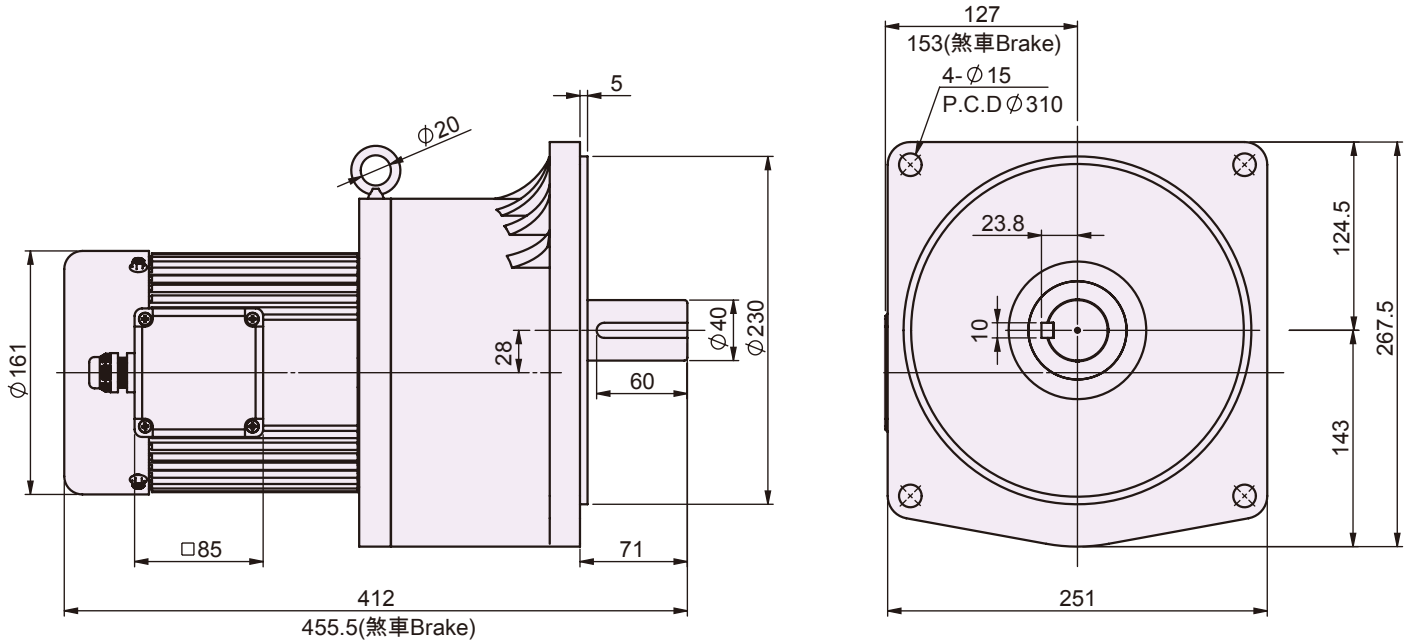
立式 100W
V-Casing Types
立式 200W
V-Casing Types
立式 400W
V-Casing Types
立式 750W
V-Casing Types
立式 1500W
V-Casing Types
立式 2200W
V-Casing Types
臥式 100W
Foot-Mount Types
臥式 200W
Foot-Mount Types
臥式 400W
Foot-Mount Types
臥式 750W
Foot-Mount Types
臥式 1500W
Foot-Mount Types
臥式 2200W
Foot-Mount Types

G15V-750W

SINGLE/3-PHASE V-CASING TYPE PRECISION GEAR MOTOR

立式單相、三相齒輪馬達

立式標準型馬達的接線盒位置在270°
Terminal box position: at 270° for V-casing type.



馬力 (KW)	全負荷電流 Full Load Current (Amp)						全負荷迴轉數 Full Load Running (rpm)	
	三相 (3 phase)				單相 (1 phase)			
	220V		380V		110V	220V	50HZ	60HZ
	50HZ	60HZ	50HZ	60HZ	60HZ	60HZ		
750W	3.2	2.98	1.9	1.71	10.35	5.18	1400	1700

◎ 齒輪減速馬達性能表 GEAR MOTOR SPECIFICATION

減速比 Gear Ratio	80		100		120		150		200	
	50HZ	60HZ	50HZ	60HZ	50HZ	60HZ	50HZ	60HZ	50HZ	60HZ
出力同步 迴轉數 Output rpm	19	22.5	15	18	12.5	15	10	12	7	9
馬達額定 輸出轉矩 Output Torque 單位: Kg.m	33.28	28.16	41.60	35.20	49.92	42.24	62.40	52.80	79.04	66.88
容許懸吊 荷重* Permissible Overhung Load* 單位: Kg	570	570	570	570	570	570	570	570	570	570

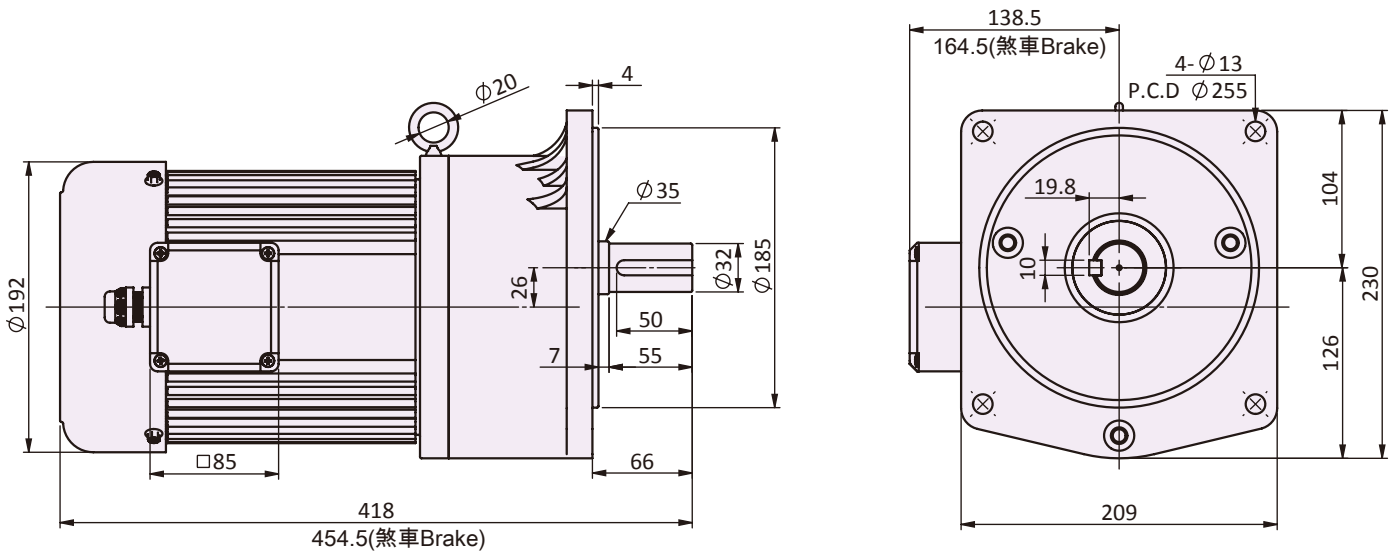
* 作用於輸出軸的中心位置。 Applied to the output shaft center.

Products due to human error, natural disasters or other factors lead to poor or damaged, will not be covered under warranty. 產品因人為原因或天災等因素導致不良或損壞，不在保固範圍內。

G14V-1500W 3-PHASE V-CASING TYPE PRECISION GEAR MOTOR

立式三相齒輪馬達

立式標準型馬達的接線盒位置在270°
Terminal box position: at 270° for V-casing type.



馬力 (KW)	全負荷電流 Full Load Current (Amp)				全負荷迴轉數 Full Load Running (rpm)	
	三相 (3 phase)					
	220V		380V		50HZ	60HZ
	50HZ	60HZ	50HZ	60HZ		
1500W	5.9	5.6	3.4	3.2	1400	1700

◎ 齒輪減速馬達性能表 GEAR MOTOR SPECIFICATION

減速比 Gear Ratio	3		5		10		15		20		25		30		40		50		60	
	50HZ	60HZ	50HZ	60HZ	50HZ	60HZ	50HZ	60HZ	50HZ	60HZ	50HZ	60HZ	50HZ	60HZ	50HZ	60HZ	50HZ	60HZ	50HZ	60HZ
出力同步迴轉數 Output rpm	500	600	300	360	150	180	100	120	75	90	60	72	50	60	37.5	45	30	36	25	30
馬達額定輸出轉矩 Output Torque 單位: Kg.m	2.75	2.27	4.59	3.78	9.18	7.57	13.77	11.35	18.36	15.13	20.25	16.69	24.3	20.03	32.4	26.7	40.5	33.38	48.6	40.05
容許懸吊荷重* Permissible Overhung Load* 單位: Kg	180	170	220	200	270	260	310	290	340	320	370	350	390	370	430	410	470	440	470	470

* 作用於輸出軸的中心位置。 Applied to the output shaft center.

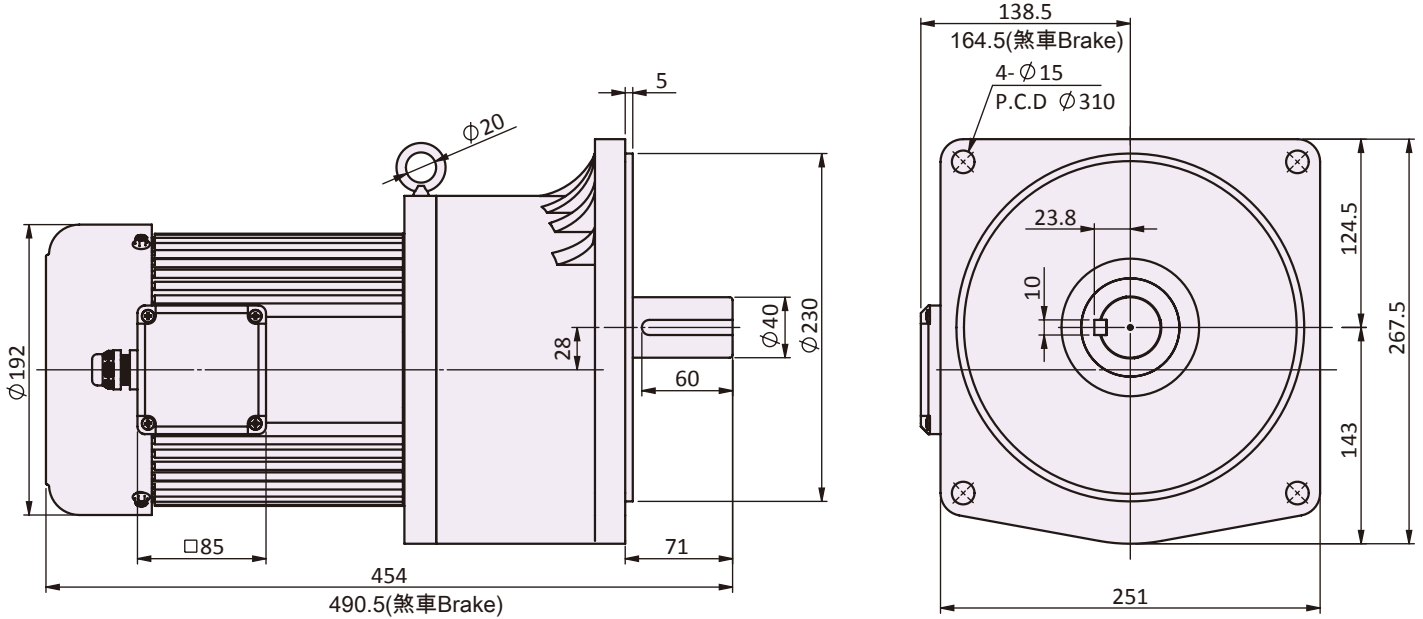
立式 100W
V-Casing Types
立式 200W
V-Casing Types
立式 400W
V-Casing Types
立式 750W
V-Casing Types
立式 1500W
V-Casing Types
立式 2200W
V-Casing Types
臥式 100W
Foot-Mount Types
臥式 200W
Foot-Mount Types
臥式 400W
Foot-Mount Types
臥式 750W
Foot-Mount Types
臥式 1500W
Foot-Mount Types
臥式 2200W
Foot-Mount Types

G15V-1500W

3-PHASE V-CASING TYPE PRECISION GEAR MOTOR

立式三相齒輪馬達

立式標準型馬達的接線盒位置在270°
Terminal box position: at 270° for V-casing type.



馬力 (KW)	全負荷電流 Full Load Current (Amp)				全負荷迴轉數 Full Load Running (rpm)	
	三相 (3 phase)					
	220V		380V		50HZ	60HZ
	50HZ	60HZ	50HZ	60HZ		
1500W	5.9	5.6	3.4	3.2	1400	1700

齒輪減速馬達性能表 GEAR MOTOR SPECIFICATION

減速比 Gear Ratio	50		60		75		80		90	
	50HZ	60HZ	50HZ	60HZ	50HZ	60HZ	50HZ	60HZ	50HZ	60HZ
出力同步 迴轉數 Output rpm	30	36	25	30	20	24	19	22.5	16	20
馬達額定 輸出轉矩 Output Torque 單位: Kg.m	40.5	33.38	48.6	40.05	60.75	50.06	72.44	60.37	72.9	60.08
容許懸吊 荷重* Permissible Overhung Load* 單位: Kgf	570	530	570	570	570	570	570	570	570	570

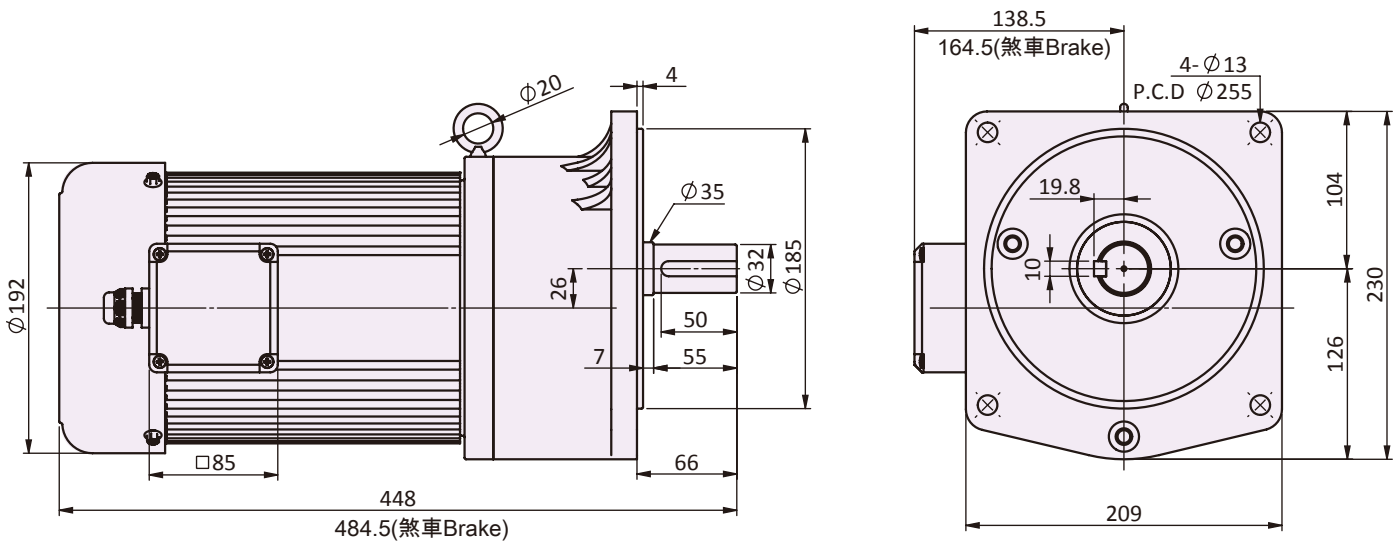
* 作用於輸出軸的中心位置。 Applied to the output shaft center.

Products due to human error, natural disasters or other factors lead to poor or damaged, will not be covered under warranty. 產品因人為原因或天災等因素導致不良或損壞，不在保固範圍內。

G14V-2200W 3-PHASE V-CASING TYPE PRECISION GEAR MOTOR

立式 三相齒輪馬達

立式標準型馬達的接線盒位置在270°
Terminal box position: at 270° for V-casing type.



馬力 (KW)	全負荷電流 Full Load Current (Amp)				全負荷迴轉數 Full Load Running (rpm)	
	三相 (3 phase)					
	220V		380V		50HZ	60HZ
	50HZ	60HZ	50HZ	60HZ		
2200W	8.88	8.09	5.09	4.71	1400	1700

◎ 齒輪減速馬達性能表 GEAR MOTOR SPECIFICATION

減速比 Gear Ratio	3		5		10		15		20		25		30		40	
	50HZ	60HZ	50HZ	60HZ	50HZ	60HZ	50HZ	60HZ	50HZ	60HZ	50HZ	60HZ	50HZ	60HZ	50HZ	60HZ
出力同步 迴轉數 Output rpm	500	600	300	360	150	180	100	120	75	90	60	72	50	60	37.5	45
馬達額定 輸出轉矩 Output Torque 單位: Kg.m	4.05	3.32	6.76	5.53	13.51	11.05	20.27	16.58	27.03	22.10	29.81	24.38	35.78	29.25	47.70	39
容許懸吊 荷重* Permissible Overhung Load* 單位: Kg	180	170	220	200	270	260	310	290	340	320	370	350	390	370	430	410

* 作用於輸出軸的中心位置。Applied to the output shaft center.
* 減速比 (■) 表輕負載機型。For light loading type.

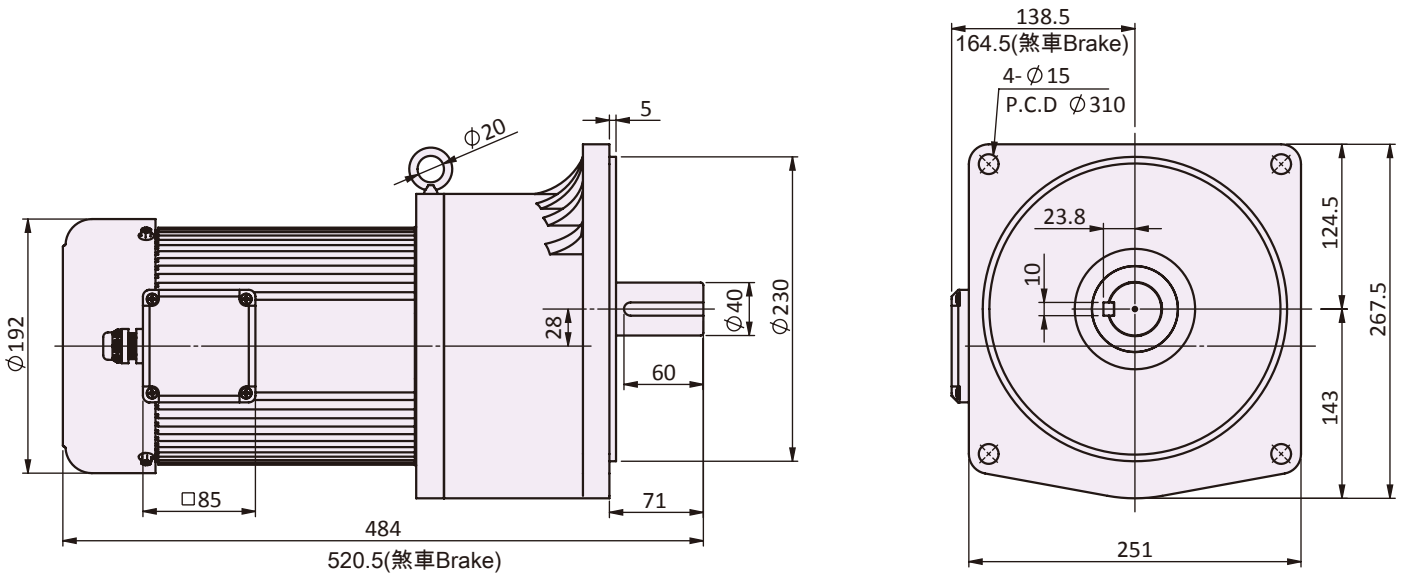
立式 100W
V-Casing Types
立式 200W
V-Casing Types
立式 400W
V-Casing Types
立式 750W
V-Casing Types
立式 1500W
V-Casing Types
立式 2200W
V-Casing Types
臥式 100W
Foot-Mount Types
臥式 200W
Foot-Mount Types
臥式 400W
Foot-Mount Types
臥式 750W
Foot-Mount Types
臥式 1500W
Foot-Mount Types
臥式 2200W
Foot-Mount Types

G15V-2200W

3-PHASE V-CASING TYPE PRECISION GEAR MOTOR

立式 三相齒輪馬達

立式標準型馬達的接線盒位置在270°
Terminal box position: at 270° for V-casing type.



馬力 (KW)	全負荷電流 Full Load Current (Amp)				全負荷迴轉數 Full Load Running (rpm)	
	三相 (3 phase)					
	220V		380V			
	50HZ	60HZ	50HZ	60HZ	50HZ	60HZ
2200W	8.88	8.09	5.09	4.71	1400	1700

齒輪減速馬達性能表 GEAR MOTOR SPECIFICATION

減速比 Gear Ratio	3		5		10		15		20		25		30		40		50		60		75		80		90		
	50HZ	60HZ	50HZ	60HZ	50HZ	60HZ	50HZ	60HZ	50HZ	60HZ	50HZ	60HZ	50HZ	60HZ	50HZ	60HZ	50HZ	60HZ	50HZ	60HZ	50HZ	60HZ	50HZ	60HZ	50HZ	60HZ	
出力同步 迴轉數 Output rpm	500	600	300	360	150	180	100	120	75	90	60	72	50	60	37.5	45	30	36	25	30	20	24	19	22.5	16	20	
馬達額定 輸出轉矩 Output Torque 單位: Kg.m	4.05	3.32	6.76	5.53	13.51	11.05	20.27	16.58	27.03	22.1	29.81	24.38	35.78	29.25	47.7	39	50.24	41.62	79.68	66.4	99.61	83	106.25	88.54	119.53	99.61	
容許懸吊 荷重* Permissible Overhung Load* 單位: Kgf	220	210	260	250	330	310	380	360	420	390	450	420	480	450	530	490	570	530	570	570	570	570	570	570	570	570	570

* 作用於輸出軸的中心位置。Applied to the output shaft center.

* 減速比 () 表輕負載機型。For light loading type.

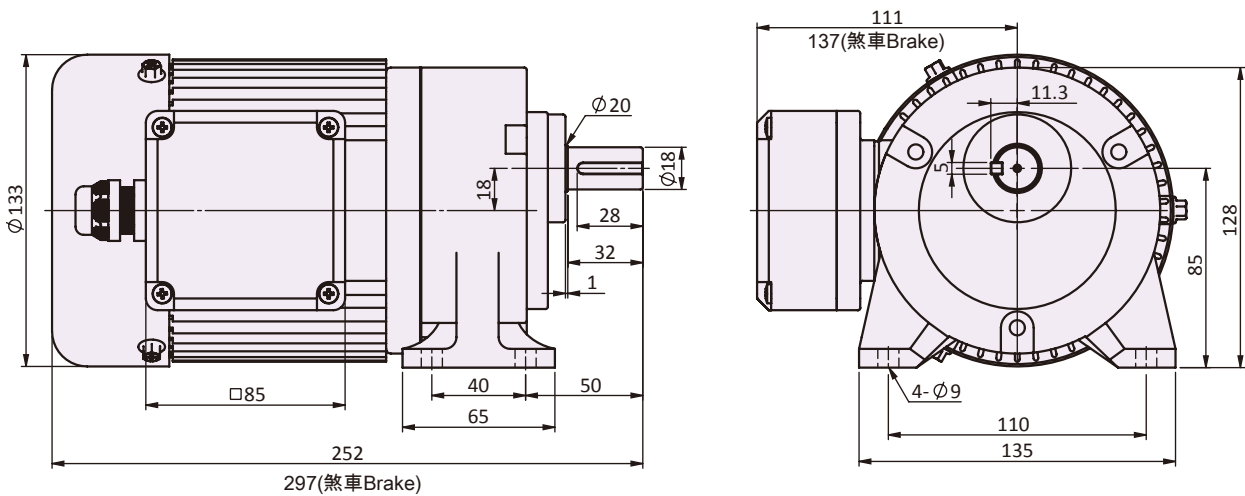
Products due to human error, natural disasters or other factors lead to poor or damaged, will not be covered under warranty. 產品因人為原因或天災等因素導致不良或損壞，不在保固範圍內。

G11H-100W

SINGLE/3-PHASE FOOT-MOUNT TYPE PRECISION GEAR MOTOR

臥式單相、三相齒輪馬達

臥式標準型馬達的接線盒位置在270°
Terminal box position: at 270° for foot - mount type.



馬力 (KW)	全負荷電流 Full Load Current (Amp)								全負荷迴轉數 Full Load Running (rpm)	
	三相 (3 Phase)				單相 (1 phase)					
	220V		380V		110V	220V		50HZ	60HZ	
	50HZ	60HZ	50HZ	60HZ	60HZ	60HZ				
100W	0.66	0.58	0.35	0.32	1.41	0.79	1400	1700		

齒輪減速馬達性能表 GEAR MOTOR SPECIFICATION

減速比 Gear Ratio	3		5		10		15		20		25		30		40		50		60		75		90	
	50HZ	60HZ	50HZ	60HZ	50HZ	60HZ	50HZ	60HZ	50HZ	60HZ	50HZ	60HZ	50HZ	60HZ	50HZ	60HZ	50HZ	60HZ	50HZ	60HZ	50HZ	60HZ	50HZ	60HZ
出力同步迴轉數 Output rpm	500	600	300	360	150	180	100	120	75	90	60	72	50	60	37.5	45	30	36	25	30	20	24	16	20
馬達額定輸出轉矩 Output Torque 單位: Kg.m	0.18	0.15	0.3	0.26	0.6	0.51	0.89	0.76	1.2	1.02	1.31	1.12	1.58	1.35	2.02	1.8	2.62	2.25	3.15	2.7	3.94	3.6	4.73	4.59
容許懸吊荷重* Permissible Overhung Load* 單位: Kg	70	60	80	70	100	90	110	110	130	120	140	130	140	140	160	150	170	160	170	170	170	170	170	170

* 作用於輸出軸的中心位置。 Applied to the output shaft center.

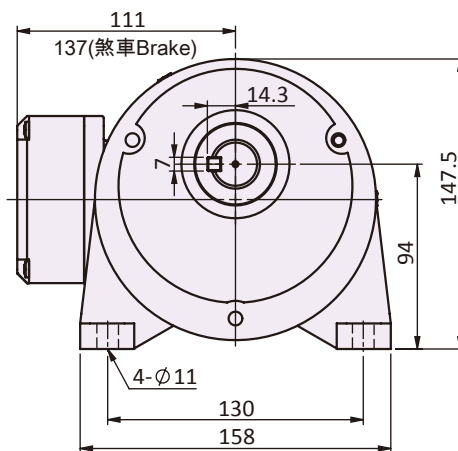
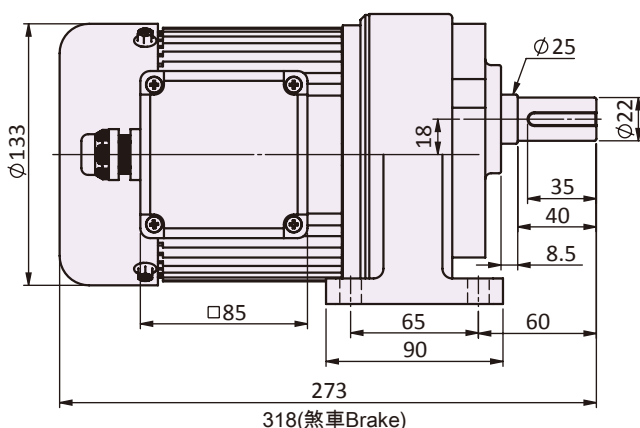
立式 100W
V-Casing Types
立式 200W
V-Casing Types
立式 400W
V-Casing Types
立式 750W
V-Casing Types
立式 1500W
V-Casing Types
立式 2200W
V-Casing Types
臥式 100W
Foot-Mount Types
臥式 200W
Foot-Mount Types
臥式 400W
Foot-Mount Types
臥式 750W
Foot-Mount Types
臥式 1500W
Foot-Mount Types
臥式 2200W
Foot-Mount Types

G12H-100W

SINGLE/3-PHASE FOOT-MOUNT TYPE PRECISION GEAR MOTOR

臥式單相、三相齒輪馬達

臥式標準型馬達的接線盒位置在270°
Terminal box position: at 270° for foot - mount type.



馬力 (KW)	全負荷電流 Full Load Current (Amp)						全負荷迴轉數 Full Load Running (rpm)	
	三相 (3 phase)				單相 (1 phase)			
	220V		380V		110V	220V	50HZ	60HZ
	50HZ	60HZ	50HZ	60HZ	60HZ	60HZ		
100W	0.66	0.58	0.35	0.32	1.41	0.79	1400	1700

齒輪減速馬達性能表 GEAR MOTOR SPECIFICATION

減速比 Gear Ratio	75		90		100		120		150		165	
	50HZ	60HZ	50HZ	60HZ	50HZ	60HZ	50HZ	60HZ	50HZ	60HZ	50HZ	60HZ
出力同步迴轉數 Output rpm	20	24	16	20	15	18	12.5	15	10	12	9	11
馬達額定輸出轉矩 Output Torque 單位: Kg.m	3.94	3.6	4.73	4.59	5.25	5.10	6.30	6.12	7.88	7.65	9.96	8.30
容許懸吊荷重* Permissible Overhung Load* 單位: Kgf	240	240	240	240	240	240	240	240	240	240	240	240

* 作用於輸出軸的中心位置。 Applied to the output shaft center.

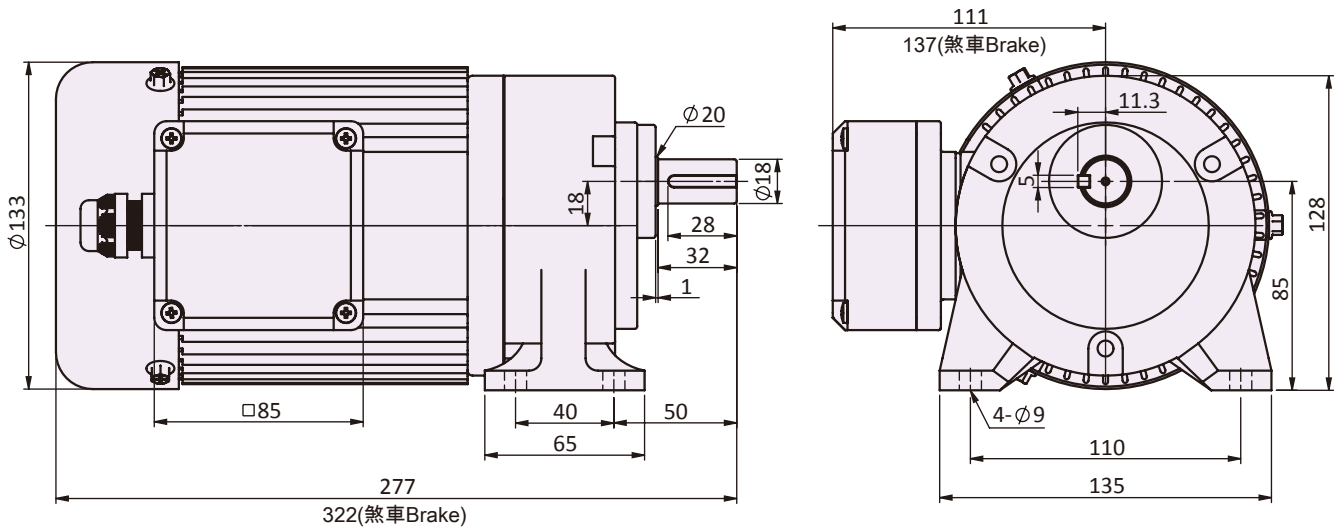
Products due to human error, natural disasters or other factors lead to poor or damaged, will not be covered under warranty. 產品因人為原因或天災等因素導致不良或損壞，不在保固範圍內。

G11H-200W

SINGLE/3-PHASE FOOT-MOUNT TYPE PRECISION GEAR MOTOR

臥式單相、三相齒輪馬達

臥式標準型馬達的接線盒位置在270°
Terminal box position: at 270° for foot - mount type.



馬力 (KW)	全負荷電流 Full Load Current (Amp)						全負荷迴轉數 Full Load Running (rpm)	
	三相 (3 phase)				單相 (1 phase)			
	220V		380V		110V	220V	50HZ	60HZ
	50HZ	60HZ	50HZ	60HZ	60HZ	60HZ		
200W	1.28	1.29	0.72	0.66	2.59	1.42	1400	1700

齒輪減速馬達性能表 GEAR MOTOR SPECIFICATION

減速比 Gear Ratio	3		5		7.5		10		15		20		25		30		40		50		60		75		90	
	50HZ	60HZ	50HZ	60HZ	50HZ	60HZ	50HZ	60HZ	50HZ	60HZ	50HZ	60HZ	50HZ	60HZ	50HZ	60HZ	50HZ	60HZ	50HZ	60HZ	50HZ	60HZ	50HZ	60HZ	50HZ	60HZ
出力同步 迴轉數 Output rpm	500	600	300	360	200	240	150	180	100	120	75	90	60	72	50	60	37.5	45	30	36	25	30	20	24	16	20
馬達額定 輸出轉矩 Output Torque 單位: Kg.m	0.36	0.31	0.6	0.52	0.9	0.75	1.19	1.02	1.79	1.53	2.1	1.8	2.63	2.25	3.15	2.7	4.2	3.6	5.25	4.5	6.3	5.4	7.88	6.75	9.45	8.1
容許懸吊 荷重* Permissible Overhung Load* 單位: Kgf	70	60	80	70	90	90	100	90	110	110	130	120	140	130	140	140	160	150	170	160	170	170	170	170	170	170

* 作用於輸出軸的中心位置。Applied to the output shaft center.
* 減速比 (■) 表輕負載機型。For light loading type.

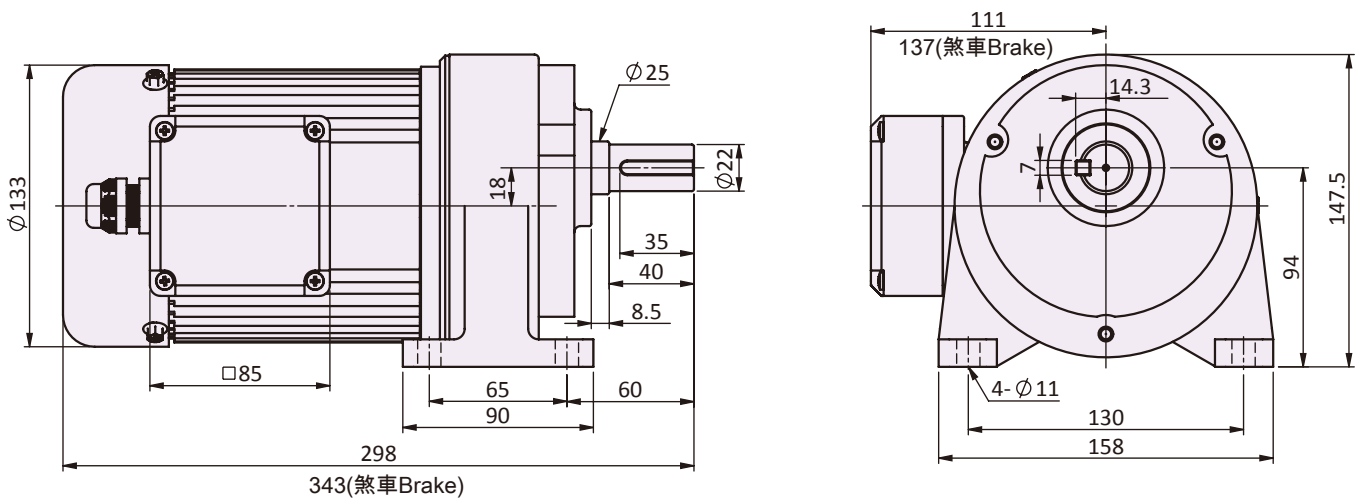
立式 100W
V-Casing Types
立式 200W
V-Casing Types
立式 400W
V-Casing Types
立式 750W
V-Casing Types
立式 1500W
V-Casing Types
立式 2200W
V-Casing Types
臥式 100W
Foot-Mount Types
臥式 200W
Foot-Mount Types
臥式 400W
Foot-Mount Types
臥式 750W
Foot-Mount Types
臥式 1500W
Foot-Mount Types
臥式 2200W
Foot-Mount Types

G12H-200W

SINGLE/3-PHASE FOOT-MOUNT TYPE PRECISION GEAR MOTOR

臥式單相、三相齒輪馬達

臥式標準型馬達的接線盒位置在270°
Terminal box position: at 270° for foot - mount type.



馬力 (KW)	全負荷電流 Full Load Current (Amp)						全負荷迴轉數 Full Load Running (rpm)	
	三相 (3 phase)				單相 (1 phase)			
	220V		380V		110V	220V	50HZ	60HZ
	50HZ	60HZ	50HZ	60HZ	60HZ	60HZ		
200W	1.28	1.29	0.72	0.66	2.59	1.42	1400	1700

齒輪減速馬達性能表 GEAR MOTOR SPECIFICATION

減速比 Gear Ratio	20		30		40		50		60		75		80		90		100		120		150		165	
	50HZ	60HZ	50HZ	60HZ	50HZ	60HZ	50HZ	60HZ	50HZ	60HZ	50HZ	60HZ	50HZ	60HZ	50HZ	60HZ	50HZ	60HZ	50HZ	60HZ	50HZ	60HZ	50HZ	60HZ
出力同步迴轉數 Output rpm	75	90	50	60	37.5	45	30	36	25	30	20	24	19	22.5	16	20	15	18	12.5	15	10	12	9	11
馬達額定輸出轉矩 Output Torque 單位: Kg.m	2.10	1.80	3.15	2.70	4.20	3.60	5.25	4.50	6.30	5.40	7.88	6.75	9.65	8.04	9.45	8.10	10.59	9	12.6	10.8	15.75	13.5	19.92	16.6
容許懸吊荷重* Permissible Overhung Load* 單位: Kgf	180	170	200	190	220	210	240	230	240	240	240	240	240	240	240	240	240	240	240	240	240	240	240	240

* 作用於輸出軸的中心位置。Applied to the output shaft center.
減速比 (■) 表輕負載機型。For light loading type.

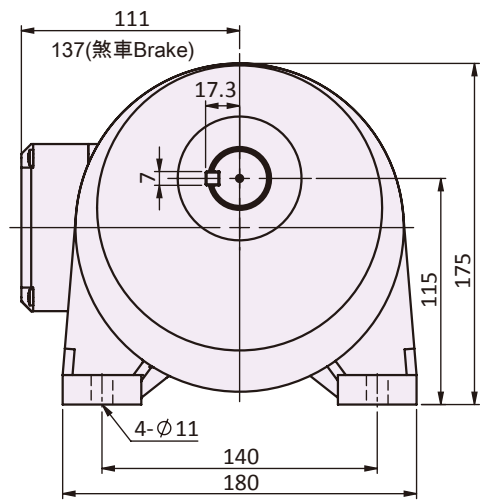
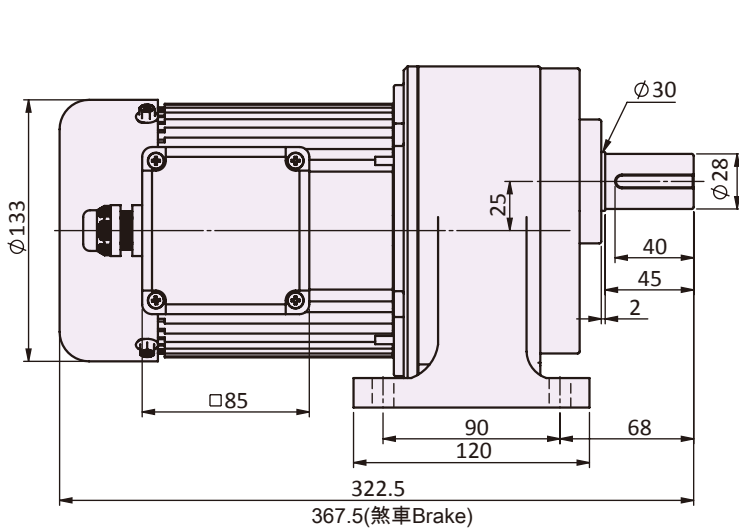
Products due to human error, natural disasters or other factors lead to poor or damaged, will not be covered under warranty. 產品因人為原因或天災等因素導致不良或損壞，不在保固範圍內。

G13H-200W

SINGLE/3-PHASE FOOT-MOUNT TYPE PRECISION GEAR MOTOR

臥式單相、三相齒輪馬達

臥式標準型馬達的接線盒位置在270°
Terminal box position: at 270° for foot - mount type.



馬力 (KW)	全負荷電流 Full Load Current (Amp)						全負荷迴轉數 Full Load Running (rpm)	
	三相 (3 phase)				單相 (1 phase)			
	220V		380V		110V	220V	50HZ	60HZ
	50HZ	60HZ	50HZ	60HZ	60HZ	60HZ		
200W	1.28	1.29	0.72	0.66	2.59	1.42	1400	1700

齒輪減速馬達性能表 GEAR MOTOR SPECIFICATION

減速比 Gear Ratio	100		120		150		165		180	
	50HZ	60HZ	50HZ	60HZ	50HZ	60HZ	50HZ	60HZ	50HZ	60HZ
出力同步迴轉數 Output rpm	15	18	12.5	15	10	12	9	11	8	10
馬達額定輸出轉矩 Output Torque 單位: Kg.m	10.59	9	12.6	10.8	15.75	13.5	19.92	16.6	21.73	18.11
容許懸吊荷重* Permissible Overhung Load* 單位: Kg	400	400	400	400	400	400	400	400	400	400

* 作用於輸出軸的中心位置。 Applied to the output shaft center.

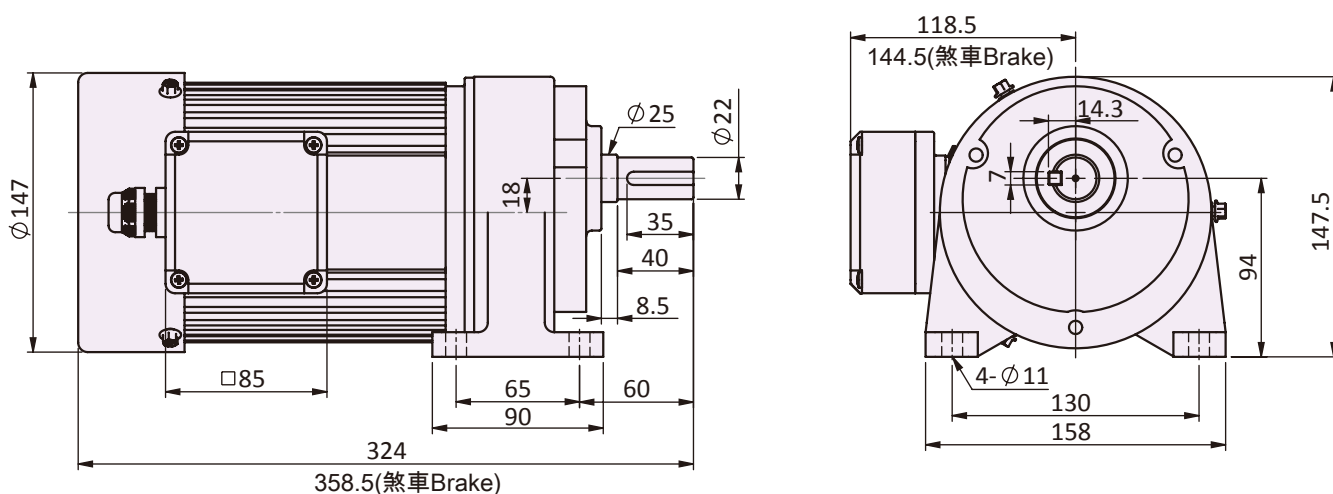
立式 100W
立式 200W
立式 400W
立式 750W
立式 1500W
立式 2200W
臥式 100W
臥式 200W
臥式 400W
臥式 750W
臥式 1500W
臥式 2200W

G12H-400W

SINGLE/3-PHASE FOOT-MOUNT TYPE PRECISION GEAR MOTOR

臥式單相、三相齒輪馬達

臥式標準型馬達的接線盒位置在270°
Terminal box position: at 270° for foot - mount type.



馬力 (KW)	全負荷電流 Full Load Current (Amp)						全負荷迴轉數 Full Load Running (rpm)	
	三相 (3 phase)				單相 (1 phase)			
	220V		380V		110V	220V	50HZ	60HZ
	50HZ	60HZ	50HZ	60HZ	60HZ	60HZ		
400W	2.28	1.87	1.32	1.09	5.36	2.79	1400	1700

齒輪減速馬達性能表 GEAR MOTOR SPECIFICATION

減速比 Gear Ratio	3		5		7.5		10		15		20		25		30		40		50		60		75		90	
	50HZ	60HZ	50HZ	60HZ	50HZ	60HZ	50HZ	60HZ	50HZ	60HZ	50HZ	60HZ	50HZ	60HZ	50HZ	60HZ	50HZ	60HZ	50HZ	60HZ	50HZ	60HZ	50HZ	60HZ	50HZ	60HZ
出力同步迴轉數 Output rpm	500	600	300	360	200	240	150	180	100	120	75	90	60	72	50	60	37.5	45	30	36	25	30	20	24	16	20
馬達額定輸出轉矩 Output Torque 單位: Kg.m	0.74	0.62	1.24	1.04	1.86	1.55	2.48	2.07	3.71	3.11	4.40	3.68	5.50	4.60	6.60	5.52	8.80	7.36	11.00	9.20	13.20	11.04	16.50	13.80	19.80	16.56
容許懸吊荷重* Permissible Overhung Load* 單位: Kg	90	90	110	100	130	120	140	130	160	150	180	170	190	180	200	190	220	210	240	230	240	240	240	240	240	240

* 作用於輸出軸的中心位置。Applied to the output shaft center.

* 減速比 () 表輕負載機型。For light loading type.

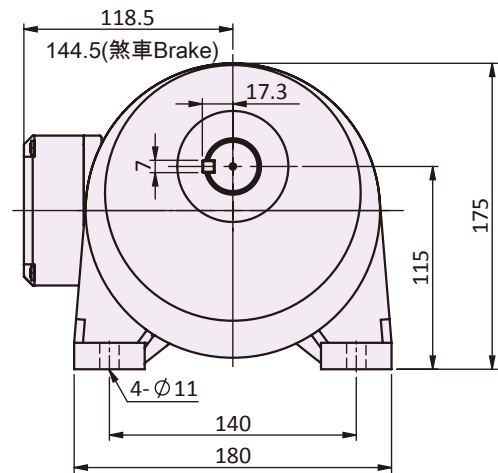
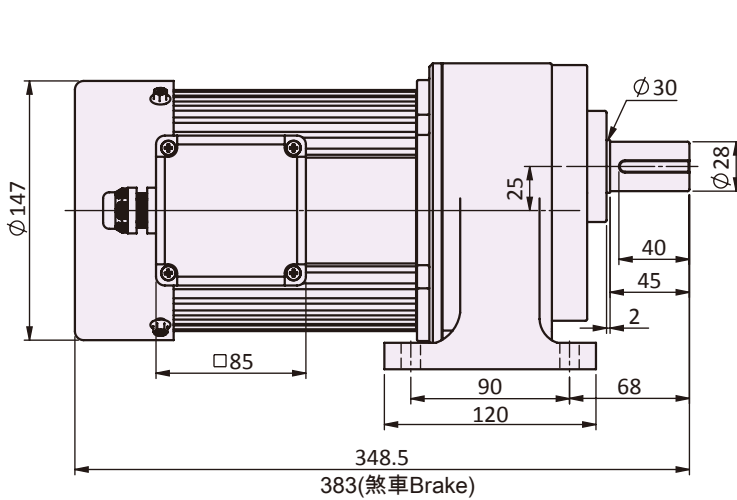
Products due to human error, natural disasters or other factors lead to poor or damaged, will not be covered under warranty. 產品因人為原因或天災等因素導致不良或損壞, 不在保固範圍內。

G13H-400W

SINGLE/3-PHASE FOOT-MOUNT TYPE PRECISION GEAR MOTOR

臥式單相、三相齒輪馬達

臥式標準型馬達的接線盒位置在270°
Terminal box position: at 270° for foot - mount type.



馬力 (KW)	全負荷電流 Full Load Current (Amp)						全負荷迴轉數 Full Load Running (rpm)	
	三相 (3 phase)				單相 (1 phase)			
	220V		380V		110V	220V	50HZ	60HZ
	50HZ	60HZ	50HZ	60HZ	60HZ	60HZ		
400W	2.28	1.87	1.32	1.09	5.36	2.79	1400	1700

齒輪減速馬達性能表 GEAR MOTOR SPECIFICATION

減速比 Gear Ratio	50		60		75		90		100		120		150		165		180	
	50HZ	60HZ	50HZ	60HZ	50HZ	60HZ	50HZ	60HZ	50HZ	60HZ	50HZ	60HZ	50HZ	60HZ	50HZ	60HZ	50HZ	60HZ
出力同步 迴轉數 Output rpm	30	36	25	30	20	24	16	20	15	18	12.5	15	10	12	9	11	8	10
馬達額定 輸出轉矩 Output Torque 單位: Kg.m	11.00	9.20	13.20	11.04	16.50	13.80	19.80	16.56	22.00	18.40	26.40	22.08	33.00	27.60	36.30	30.36	39.60	33.12
容許懸吊 荷重* Permissible Overhung Load* 單位: Kgf	400	380	400	400	400	400	400	400	400	400	400	400	400	400	400	400	400	400

* 作用於輸出軸的中心位置。Applied to the output shaft center.
* 減速比 () 表輕負載機型。For light loading type.

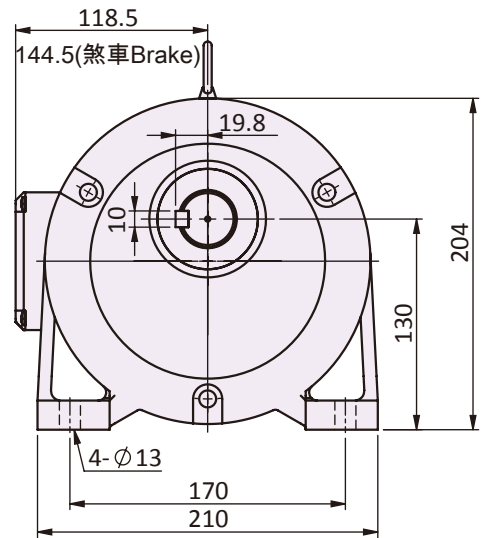
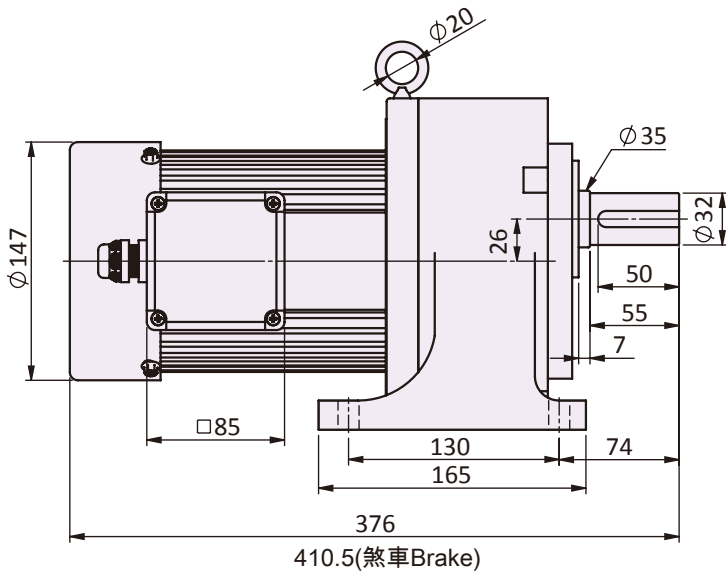
立式 100W
V-Casing Types
立式 200W
V-Casing Types
立式 400W
V-Casing Types
立式 750W
V-Casing Types
立式 1500W
V-Casing Types
立式 2200W
V-Casing Types
臥式 100W
Foot-Mount Types
臥式 200W
Foot-Mount Types
臥式 400W
Foot-Mount Types
臥式 750W
Foot-Mount Types
臥式 1500W
Foot-Mount Types
臥式 2200W
Foot-Mount Types

G14H-400W

SINGLE/3-PHASE FOOT-MOUNT TYPE PRECISION GEAR MOTOR

臥式單相、三相齒輪馬達

臥式標準型馬達的接線盒位置在270°
Terminal box position: at 270° for foot - mount type.



馬力 (KW)	全負荷電流 Full Load Current (Amp)						全負荷迴轉數 Full Load Running (rpm)	
	三相 (3 phase)				單相 (1 phase)			
	220V		380V		110V	220V	50HZ	60HZ
	50HZ	60HZ	50HZ	60HZ	60HZ	60HZ		
400W	2.28	1.87	1.32	1.09	5.36	2.79	1400	1700

齒輪減速馬達性能表 GEAR MOTOR SPECIFICATION

減速比 Gear Ratio	100		120		150		165		180	
	50HZ	60HZ	50HZ	60HZ	50HZ	60HZ	50HZ	60HZ	50HZ	60HZ
出力同步迴轉數 Output rpm	15	18	12.5	15	10	12	9	11	8	10
馬達額定輸出轉矩 Output Torque 單位: Kg.m	22.00	18.40	26.40	22.08	33.00	27.60	36.30	30.36	39.60	33.12
容許懸吊荷重* Permissible Overhung Load* 單位: Kgf	470	470	470	470	470	470	470	470	470	470

* 作用於輸出軸的中心位置。 Applied to the output shaft center.

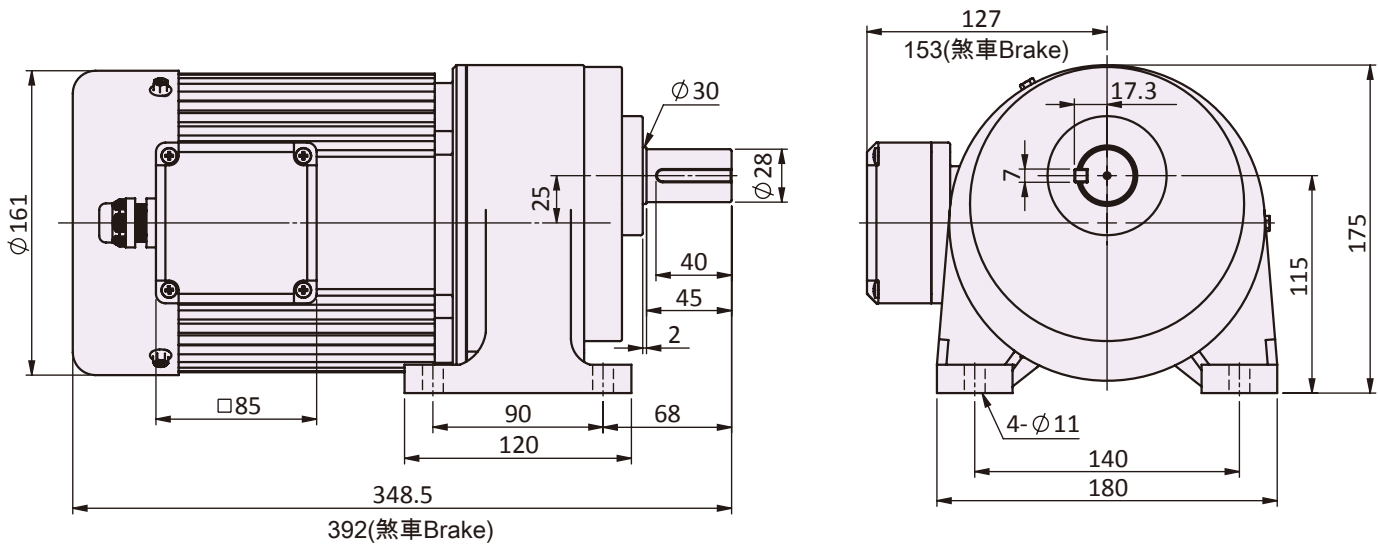
Products due to human error, natural disasters or other factors lead to poor or damaged, will not be covered under warranty. 產品因人為原因或天災等因素導致不良或損壞，不在保固範圍內。

G13H-750W

SINGLE/3-PHASE FOOT-MOUNT TYPE PRECISION GEAR MOTOR

臥式單相、三相齒輪馬達

臥式標準型馬達的接線盒位置在270°
Terminal box position: at 270° for foot - mount type.



馬力 (KW)	全負荷電流 Full Load Current (Amp)						全負荷迴轉數 Full Load Running (rpm)	
	三相 (3 phase)				單相 (1 phase)			
	220V		380V		110V	220V	50HZ	60HZ
	50HZ	60HZ	50HZ	60HZ	60HZ	60HZ		
750W	3.2	2.98	1.9	1.71	10.35	5.18	1400	1700

齒輪減速馬達性能表 GEAR MOTOR SPECIFICATION

減速比 Gear Ratio	3		5		10		15		20		25		30		40		50		60		75		90	
	50HZ	60HZ	50HZ	60HZ	50HZ	60HZ	50HZ	60HZ	50HZ	60HZ	50HZ	60HZ	50HZ	60HZ	50HZ	60HZ	50HZ	60HZ	50HZ	60HZ	50HZ	60HZ	50HZ	60HZ
出力同步迴轉數 Output rpm	500	600	300	360	150	180	100	120	75	90	60	72	50	60	37.5	45	30	36	25	30	20	24	16	20
馬達額定輸出轉矩 Output Torque 單位: Kg.m	1.40	1.19	2.34	1.98	4.68	3.96	7.02	5.94	8.32	7.04	10.48	8.80	12.48	10.56	16.64	14.08	20.80	17.60	24.96	21.12	31.20	26.40	37.44	31.68
容許懸吊荷重* Permissible Overhung Load* 單位: Kg	160	150	190	180	240	220	270	250	300	280	320	300	340	320	370	350	400	380	400	400	400	400	400	400

* 作用於輸出軸的中心位置。Applied to the output shaft center.
* 減速比 (■) 表輕負載機型。For light loading type.

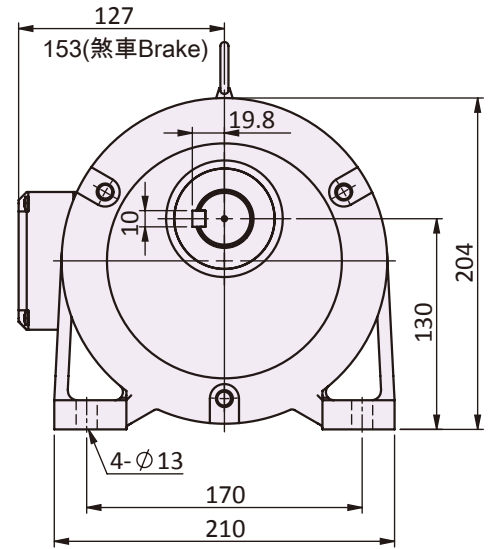
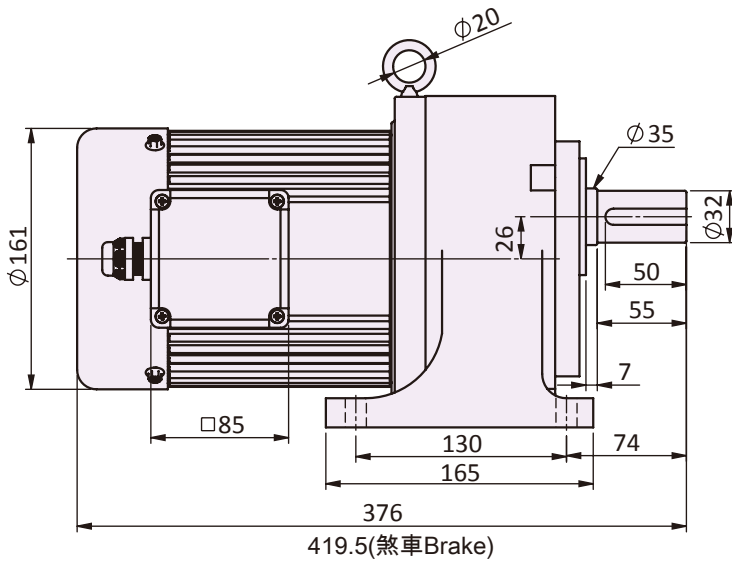
立式 100W
V-Casing Types
立式 200W
V-Casing Types
立式 400W
V-Casing Types
立式 750W
V-Casing Types
立式 1500W
V-Casing Types
立式 2200W
V-Casing Types
臥式 100W
Foot-Mount Types
臥式 200W
Foot-Mount Types
臥式 400W
Foot-Mount Types
臥式 750W
Foot-Mount Types
臥式 1500W
Foot-Mount Types
臥式 2200W
Foot-Mount Types

G14H-750W

SINGLE/3-PHASE FOOT-MOUNT TYPE PRECISION GEAR MOTOR

臥式單相、三相齒輪馬達

臥式標準型馬達的接線盒位置在270°
Terminal box position: at 270° for foot - mount type.



馬力 (KW)	全負荷電流 Full Load Current (Amp)								全負荷迴轉數 Full Load Running (rpm)	
	三相 (3 phase)				單相 (1 phase)					
	220V		380V		110V		220V			
	50HZ	60HZ	50HZ	60HZ	60HZ		60HZ			
750W	3.2	2.98	1.9	1.71	10.35		5.18		1400	1700

齒輪減速馬達性能表 GEAR MOTOR SPECIFICATION

減速比 Gear Ratio	30		40		50		60		75		80		90		100		120		150		180	
	50HZ	60HZ	50HZ	60HZ	50HZ	60HZ	50HZ	60HZ	50HZ	60HZ	50HZ	60HZ	50HZ	60HZ	50HZ	60HZ	50HZ	60HZ	50HZ	60HZ	50HZ	60HZ
出力同步迴轉數 Output rpm	50	60	37.5	45	30	36	25	30	20	24	19	22.5	16	20	15	18	12.5	15	10	12	8	10
馬達額定輸出轉矩 Output Torque 單位: Kg.m	12.48	10.56	16.64	14.08	20.80	17.60	24.96	21.12	31.20	26.40	33.28	28.16	37.44	31.68	41.60	35.20	49.92	42.24	62.40	52.80	74.88	63.36
容許懸吊荷重* Permissible Overhung Load* 單位: Kg	390	370	430	410	470	440	470	470	470	470	470	470	470	470	470	470	470	470	470	470	470	470

* 作用於輸出軸的中心位置。Applied to the output shaft center.

* 減速比 () 表輕負載機型。For light loading type.

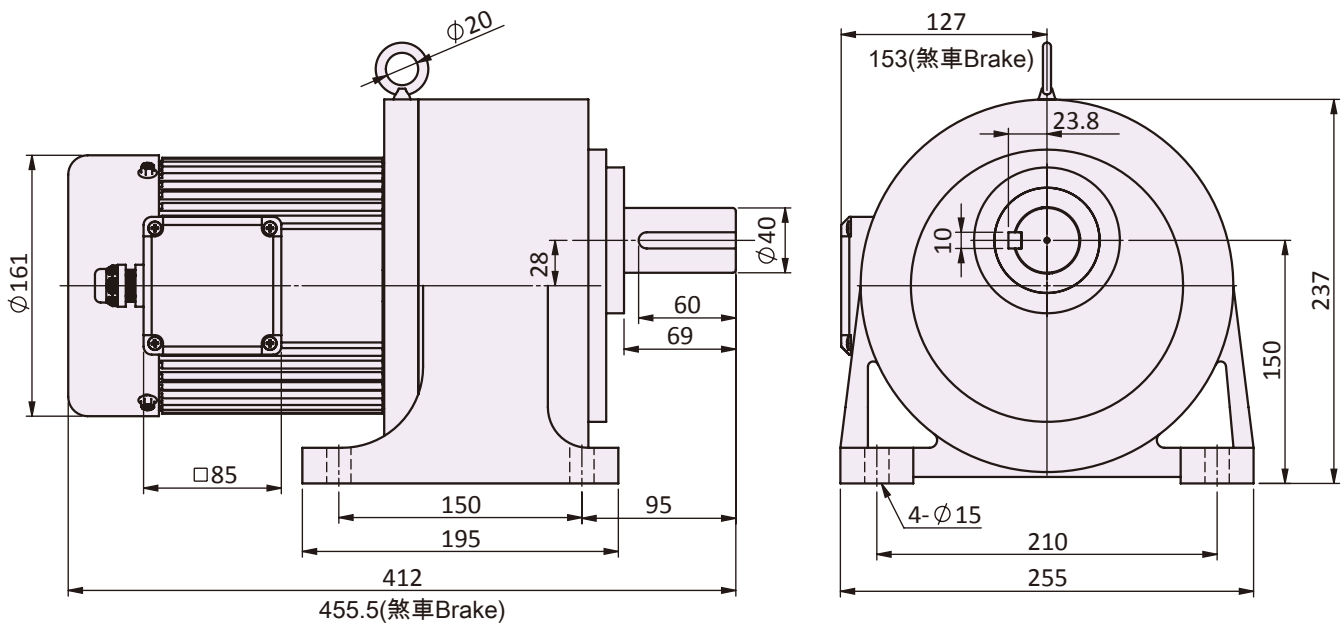
Products due to human error, natural disasters or other factors lead to poor or damaged, will not be covered under warranty. 產品因人為原因或天災等因素導致不良或損壞，不在保固範圍內。

G15H-750W

SINGLE/3-PHASE FOOT-MOUNT TYPE PRECISION GEAR MOTOR

臥式單相、三相齒輪馬達

臥式標準型馬達的接線盒位置在270°
Terminal box position: at 270° for foot - mount type.



馬力 (KW)	全負荷電流 Full Load Current (Amp)						全負荷迴轉數 Full Load Running (rpm)	
	三相 (3 phase)				單相 (1 phase)			
	220V		380V		110V	110V	50HZ	60HZ
	50HZ	60HZ	50HZ	60HZ	60HZ	60HZ		
750W	3.2	2.98	1.9	1.71	10.35	5.18	1400	1700

◎ 齒輪減速馬達性能表 GEAR MOTOR SPECIFICATION										
減速比 Gear Ratio	80		100		120		150		200	
	50HZ	60HZ	50HZ	60HZ	50HZ	60HZ	50HZ	60HZ	50HZ	60HZ
出力同步迴轉數 Output rpm	19	22.5	15	18	12.5	15	10	12	7	9
馬達額定輸出轉矩 Output Torque 單位: Kg.m	33.28	28.16	41.60	35.20	49.92	42.24	62.40	52.80	79.04	66.88
容許懸吊荷重* Permissible Overhung Load* 單位: Kg	570	570	570	570	570	570	570	570	570	570

* 作用於輸出軸的中心位置。 Applied to the output shaft center.

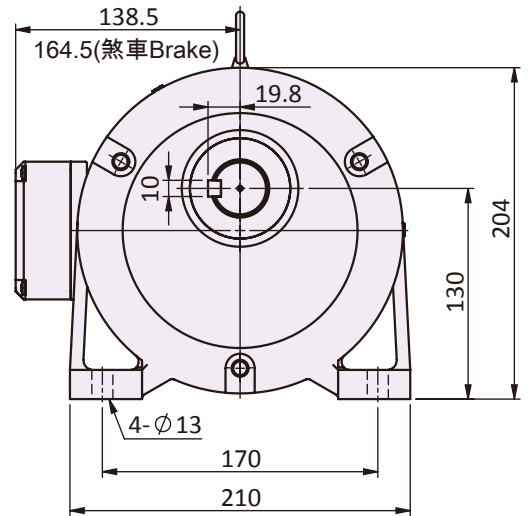
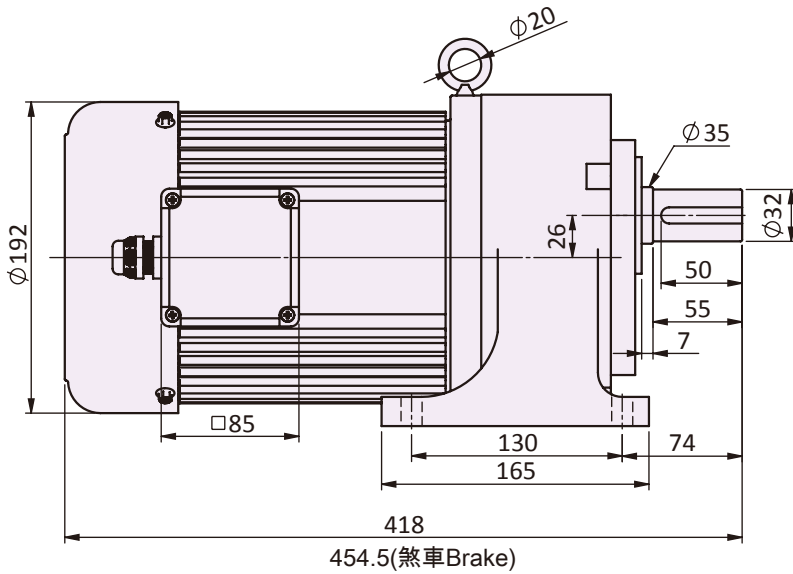
立式 100W
立式 200W
立式 400W
立式 750W
立式 1500W
立式 2200W
臥式 100W
臥式 200W
臥式 400W
臥式 750W
臥式 1500W
臥式 2200W

G14H-1500W

3-PHASE FOOT-MOUNT TYPE PRECISION GEAR MOTOR

臥式 三相齒輪馬達

臥式標準型馬達的接線盒位置在270°
Terminal box position: at 270° for foot - mount type.



馬力 (KW)	全負荷電流 Full Load Current (Amp)				全負荷迴轉數 Full Load Running (rpm)	
	三相 (3 phase)					
	220V		380V			
	50HZ	60HZ	50HZ	60HZ	50HZ	60HZ
1500W	5.9	5.6	3.4	3.2	1400	1700

齒輪減速馬達性能表 GEAR MOTOR SPECIFICATION

減速比 Gear Ratio	3		5		10		15		20		25		30		40		50		60	
	50HZ	60HZ	50HZ	60HZ	50HZ	60HZ	50HZ	60HZ	50HZ	60HZ	50HZ	60HZ	50HZ	60HZ	50HZ	60HZ	50HZ	60HZ	50HZ	60HZ
出力同步 迴轉數 Output rpm	500	600	300	360	150	180	100	120	75	90	60	72	50	60	37.5	45	30	36	25	30
馬達額定 輸出轉矩 Output Torque 單位：Kg.m	2.75	2.27	4.59	3.78	9.18	7.57	13.77	11.35	18.36	15.13	20.25	16.69	24.3	20.03	32.4	26.7	40.5	33.38	48.6	40.05
容許懸吊 荷重* Permissible Overhung Load* 單位：Kgf	180	170	220	200	270	260	310	290	340	320	370	350	390	370	430	410	470	440	470	470

* 作用於輸出軸的中心位置。 Applied to the output shaft center.

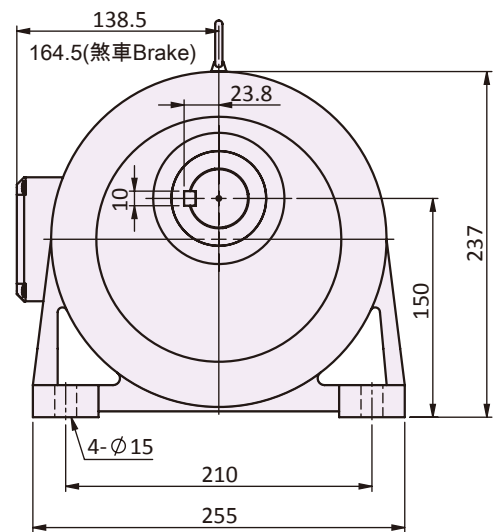
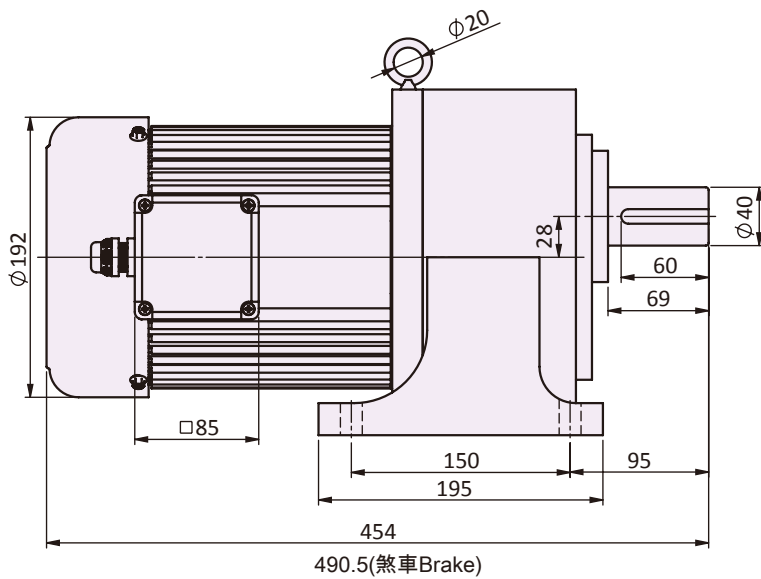
Products due to human error, natural disasters or other factors lead to poor or damaged, will not be covered under warranty. 產品因人為原因或天災等因素導致不良或損壞，不在保固範圍內。

G15H-1500W

3-PHASE FOOT-MOUNT TYPE PRECISION GEAR MOTOR

臥式 三相齒輪馬達

臥式標準型馬達的接線盒位置在270°
Terminal box position: at 270° for foot - mount type.



馬力 (KW)	全負荷電流 Full Load Current (Amp)				全負荷迴轉數 Full Load Running (rpm)	
	三相 (3 phase)					
	220V		380V		50HZ	60HZ
	50HZ	60HZ	50HZ	60HZ		
1500W	5.9	5.6	3.4	3.2	1400	1700

齒輪減速馬達性能表 GEAR MOTOR SPECIFICATION

減速比 Gear Ratio	50		60		75		80		90	
	50HZ	60HZ	50HZ	60HZ	50HZ	60HZ	50HZ	60HZ	50HZ	60HZ
出力同步迴轉數 Output rpm	30	36	25	30	20	24	19	22.5	16	20
馬達額定輸出轉矩 Output Torque 單位: Kg.m	40.5	33.38	48.6	40.05	60.75	50.06	72.44	60.37	72.9	60.08
容許懸吊荷重* Permissible Overhung Load* 單位: Kgf	570	530	570	570	570	570	570	570	570	570

* 作用於輸出軸的中心位置 • Applied to the output shaft center.

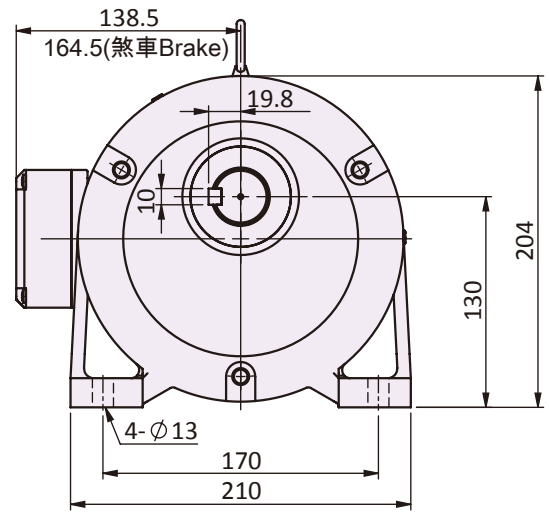
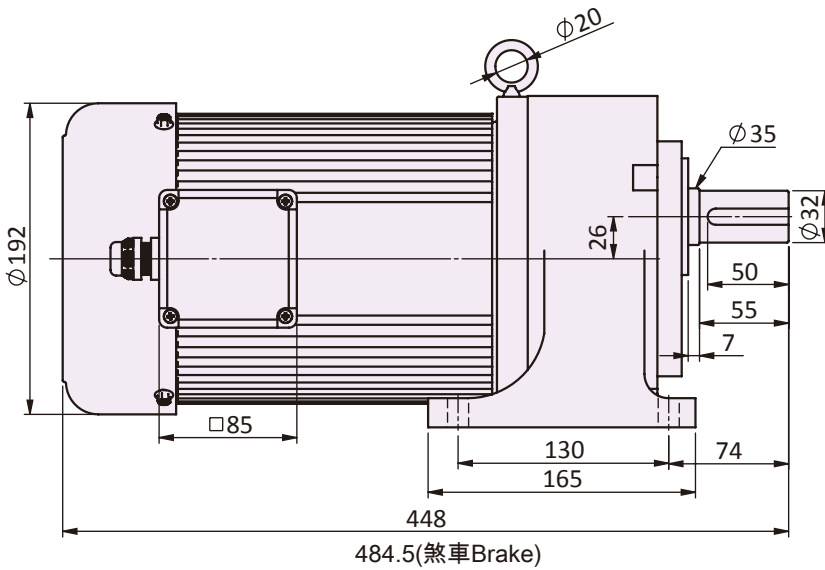
立式 100W
立式 200W
立式 400W
立式 750W
立式 1500W
立式 2200W
臥式 100W
臥式 200W
臥式 400W
臥式 750W
臥式 1500W
臥式 2200W

G14H-2200W

3-PHASE FOOT-MOUNT TYPE PRECISION GEAR MOTOR

臥式 三相齒輪馬達

臥式標準型馬達的接線盒位置在270°
Terminal box position: at 270° for foot - mount type.



馬力 (KW)	全負荷電流 Full Load Current (Amp)				全負荷迴轉數 Full Load Running (rpm)	
	三相 (3 phase)					
	220V		380V		50HZ	60HZ
	50HZ	60HZ	50HZ	60HZ		
2200W	8.88	8.09	5.09	4.71	1400	1700

齒輪減速馬達性能表 GEAR MOTOR SPECIFICATION

減速比 Gear Ratio	3		5		10		15		20		25		30		40	
	50HZ	60HZ	50HZ	60HZ	50HZ	60HZ	50HZ	60HZ	50HZ	60HZ	50HZ	60HZ	50HZ	60HZ	50HZ	60HZ
出力同步 迴轉數 Output rpm	500	600	300	360	150	180	100	120	75	90	60	72	50	60	37.5	45
馬達額定 輸出轉矩 Output Torque 單位: Kg.m	4.05	3.32	6.76	5.53	13.51	11.05	20.27	16.58	27.03	22.10	29.81	24.38	35.78	29.25	47.70	39.00
容許懸吊 荷重* Permissible Overhung Load* 單位: Kgf	180	170	220	200	270	260	310	290	340	320	370	350	390	370	430	410

* 作用於輸出軸的中心位置。Applied to the output shaft center.

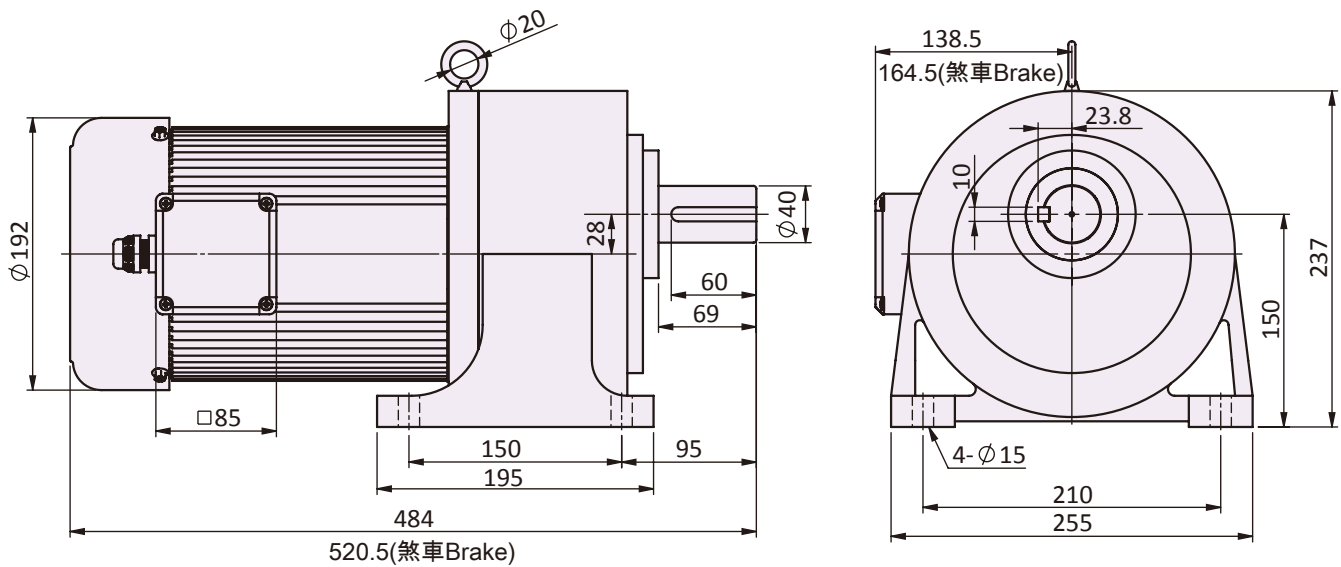
減速比 (■) 表輕負載機型。For light loading type.

Products due to human error, natural disasters or other factors lead to poor or damaged, will not be covered under warranty. 產品因人為原因或天災等因素導致不良或損壞，不在保固範圍內。

G15H-2200W 3-PHASE FOOT-MOUNT TYPE PRECISION GEAR MOTOR

臥式 三相齒輪馬達

臥式標準型馬達的接線盒位置在270°
Terminal box position: at 270° for foot - mount type.



馬力 (KW)	全負荷電流 Full Load Current (Amp)				全負荷迴轉數 Full Load Running (rpm)	
	三相 (3 Phase)					
	220V		380V		50HZ	60HZ
	50HZ	60HZ	50HZ	60HZ		
2200W	8.88	8.09	5.09	4.71	1400	1700

齒輪減速馬達性能表 GEAR MOTOR SPECIFICATION

減速比 Gear Ratio	3		5		10		15		20		25		30		40		50		60		75		80		90		
	50HZ	60HZ	50HZ	60HZ	50HZ	60HZ	50HZ	60HZ	50HZ	60HZ	50HZ	60HZ	50HZ	60HZ	50HZ	60HZ	50HZ	60HZ	50HZ	60HZ	50HZ	60HZ	50HZ	60HZ	50HZ	60HZ	
出力同步 迴轉數 Output rpm	500	600	300	360	150	180	100	120	75	90	60	72	50	60	37.5	45	30	36	25	30	20	24	19	22.5	16	20	
馬達額定 輸出轉矩 Output Torque 單位: Kg.m	4.05	3.32	6.76	5.53	13.51	11.05	20.27	16.58	27.03	22.1	29.81	24.38	35.78	29.25	47.7	39	50.24	41.62	79.68	66.4	99.61	83	106.25	88.54	119.53	99.61	
容許懸吊 荷重* Permissible Overhung Load* 單位: Kg	220	210	260	250	330	310	380	360	420	390	450	420	480	450	530	490	570	530	570	570	570	570	570	570	570	570	570

* 作用於輸出軸的中心位置。Applied to the output shaft center.
* 減速比 () 表輕負載機型。For light loading type.

立式 100W
立式 200W
立式 400W
立式 750W
立式 1500W
立式 2200W
臥式 100W
臥式 200W
臥式 400W
臥式 750W
臥式 1500W
臥式 2200W



SESAME MOTOR CORP.

世協電機股份有限公司

台中市神岡區和睦路一段599號
599, Sec 1, Hemu Rd., Shengang, Taichung,
42953, Taiwan
TEL : +886-4-2561-0011
FAX : +886-4-2562-7766
www.sesamemotor.com
info@sesamemotor.com.tw
Skype Phone : sesame_motor

< 世協電機版權所有 >
Copyright © 2018 Sesame Motor Corp.
All rights reserved



PRECISION GEAR MOTOR

V-CASING & FOOT-MOUNT TYPES

經銷商/AGENT



V.3.1