

CNC自動車床零件

CNC Automatic lathe parts

自動棒材送料機零件

Automatic bar feeder parts

綜合型錄 Comprehensive catalog **2024**



📍 地址: 51642彰化縣埔鹽鄉彰水路2段202巷5號
 ☎ 電話(TEL): +886-4-8652727(代表號)
 📠 傳真(FAX): +886-4-8658278
 🌐 網站: <http://www.ljrel.com>
 ✉ E-mail: chengyisales@gmail.com

因為技術上需求或者優化產品，保有產品變動的權利
 Due to technical needs or product optimization, we reserve the right to change the product

產品將以實際商品為準
 Products will be based on actual items

版權所有，非經授權，翻印必究
 All rights reserved, without authorization, reprint must be investigated



程逸有限公司
www.ljrel.com



A Live tools for CNC lathes & Fixed knife holder
 B Headstock collets
 C Guide bushes for lathes
 D Carriage bush
 E Toggle
 F Automatic bar feeder parts
 G CNC lathe parts
 H CNC lathe parts
 I Automatic lathe parts
 J CNC lathe parts
 K ER Collet/Waterslop collet/Tapping collet/SK collet
 L Cartridge drill bit/Cartridge spot drill/Cartridge drill

目錄

Contents

動力刀座&無動力刀座

Live tolls for CNC lathes & Fixed knife holder

- A 01 正面側銑直柄迴轉刀座
Front side milling straight shank rotary tool holder
- A 01 背面直柄迴轉刀座
Back straight shank rotary tool holder
- A 01 背面直柄迴轉刀座
Back straight shank rotary tool holder
- A 02 正面側銑直柄迴轉刀座
Front side milling straight shank rotary tool holder
- A 02 背面直柄迴轉刀座
Back straight shank rotary tool holder
- A 02 背面直柄迴轉刀座
Back straight shank rotary tool holder
- A 03 正面2軸雙向動力座
Front 2-axis bidirectional power seat
- A 03 背面側銑單向動力座
Back side milling one-way power seat
- A 03 背面側銑單向動力座
Back side milling one-way power seat
- A 04 變徑套(中心出水)
Reducer sleeve (center outlet)
- A 04 背面鑽孔座
Back drilling seat
- A 04 變徑套
Reducing sleeve
- A 05 津上20#同步迴轉導套座
TSUGAMI 20# synchronous rotary guide sleeve seat
- A 05 津上20#主軸壓帽
TSUGAMI 20# spindle pressure cap
- A 05 側銑直柄迴轉刀座
Side milling straight shank rotary tool holder
- A 06 背面直柄迴轉刀座
Back straight shank rotary tool holder
- A 06 正面3軸單向動力座
Front 3-axis one-way power seat
- A 06 正面3軸雙向動力座
Front 3-axis bidirectional power seat
- A 07 背面鑽孔座
Back drilling seat
- A 07 背面鑽孔座
Back drilling seat
- A 07 背面鑽孔座(中心出水)
Back drilling seat (center water outlet)
- A 08 背面鑽孔座(中心出水)
Back drilling seat (center water outlet)
- A 08 背面側固刀座(中心出水)
Back side fixed knife holder(center water outlet)
- A 08 正面3孔/鑽孔座
Front 3 holes/drilling seat

- A 09 STAR20#背軸旋轉沖削刀柄
STAR20# back axis rotary punching tool holder
- A 09 背面迴轉刀座
Back rotary cutter bed
- A 09 正面3軸雙向動力座
Front 3-axis bidirectional power seat
- A 10 變徑套
Reducing sleeve
- A 10 變徑套
Reducing sleeve
- A 10 背面鑽孔座(中心出水)
Back drilling seat (center water outlet)
- A 11 正面3孔/鑽孔座
Front 3 holes/drilling seat
- A 11 正面4孔/鑽孔座
Front 4 holes/drilling seat
- A 11 旋轉沖削刀柄
Rotary punching tool holder
- A 12 浮動刀柄
Floating reamer holder
- A 12 STAR背面浮動絞刀座
STAR floating reamer seat on the back
- A 12 CITIZEN背面浮動絞刀座
CITIZEN floating reamer holder on the back

車床筒夾

Headstock collets

- B 01 同心精度表
Accuracy measure
- B 02 筒夾內孔選項
Collet inner hole option
- B 03 其他筒夾
Other collets
- B 04 走心筒夾
Headstock collets for lathes
- B 06 前推式筒夾
Push-Type collets
- B 07 Schaublin五軸磨刀座筒夾
Schaublin sharpening machine collet
- B 07 橡膠筒夾
Rubber collet

車床導套

Guide bushes for lathes

- C 01 導套內孔選項
Guide bush hole options
- C 02 導套
Guide bushes

開閉爪

Toggle

- D 01 開閉爪
Toggle
- D 02 CNC電腦開閉爪
CNC Toggle

自動棒材送料機零件

Automatic bar feeder parts

- E 01 TOP料夾
TOP Finger chuck
- E 02 艾恩司送料夾
LNS Finger chuck
- E 04 艾恩司中軸套
LNS Revolving tip
- E 06 艾恩司零件
LNS Parts
- E 07 中義送料夾
GIMCO (IEMCA) Finger chuck
- E 08 中義中軸套
GIMCO(IEMCA) Revolving tip
- E 09 中義零件
GIMCO (IEMCA) Parts
- E 10 育良送料夾
IKURA Finger chuck
- E 11 育良中軸套
IKURA Revolving tip
- E 12 錯羅送料夾
PRO Finger chuck
- E 13 錯羅中軸套
PRO Revolving tip
- E 14 錯羅零件
PRO Parts
- E 14 富豪零件
BARLOAD Parts
- E 15 ALPS料夾
ALPS Finger chuck
- E 15 ALPS中軸套
ALPS Revolving tip
- E 16 富豪送料夾
BARLOAD Finger chuck
- E 18 富豪BARLOAD中軸套
BARLOAD Revolving tip

CNC車床零件

CNC Lathe parts

- F 01 CNC彈簧
Spring
- F 02 錐套
Cone sleeve
- F 03 CNC車床零件
CNC Lathe Parts
- F 04 螺帽
Nut
- F 05 變徑套
Sleeve

名陽機自動車床零件

MYLAS Machine automatic lathe parts

- G 01 名陽機自動車床零件
MYLAS Machine automatic lathe parts

CNC車床鑽孔軸

CNC Extension rod

- H 01 鑽孔軸
CNC Extension rod

ER筒夾/止水筒夾/攻牙筒夾/SK筒夾

ER Collet/Waterstop collet/Tapping collet/SK Collet

- I 01 ER筒夾
ER Collet
- I 03 SK筒夾
SK Collet
- I 03 攻牙筒夾
Tapping collet
- I 04 止水筒夾
Water stop collet

品質至上，信譽樹立

Quality first, reputation establishment

1 公司介紹 Company profile

程逸有限公司 (CHENG YI) 多年來在品質第一，客戶至上的經營理念推動之下，全體員工胼手胝足呈現著穩健而踏實的成長，關係企業為龍健榮企業有限公司負責送料機零件生產，而程逸有限公司負責車床零件生產，並以CHENG YI、LJR雙品牌，行銷全世界。

本公司秉持平等互惠原則，以健全的經營體制和對市場的快速反應能力，建構了企業的核心競爭優勢，建立了良好的信譽及合作基礎，與國內外數十家自動棒材送料機公司及 CNC 自動車床公司合作長達數十年，產品行銷遍及歐、美、亞洲等27國，以卓越技術與經驗，提供客戶品質一流的產品，並藉由不斷的創新與突破達到企業永續經營，秉持客戶至上，以及熱誠的服務來滿足客戶需求，不斷研發出新型產品與設備，並且不斷提升製造技術，搭配嚴格的品管，提供廣大客戶不同的需求，並以迅速交貨贏取得客戶的信任，歡迎各國機械大廠、五金商、經銷商洽談合作。

經過全體員工多年來的努力，全球合作自動棒材送料機廠達33家，持續不斷擴充營運，秉持不斷精進的理念，提供給客戶最佳C/P值產品，並且不斷的挑戰德國、瑞士等先進國家產品品質，以超過德國、瑞士為最終目標。

車床筒夾、車床導套最高同心精度已達0.003mm以內，產品精度已逼近日本水準，現今HSS筒夾生產內孔範圍0.5~65mm，鈷鋼筒夾、導套生產內孔範圍0.5~51mm，並生產出陶瓷導套可供不銹鋼加工專門使用，滿足日益精進的加工條件，將是各大車床機械廠首選合作的對象之一，高C/P值讓各大CNC車床廠更有競爭優勢。

ER筒夾、止水筒夾、SK精密筒夾有A級和AA級(UP級)，最高精度在0.005mm以內，可供CNC車床廠、CNC銑床廠、刀把廠提升加工精度，對日益嚴苛之加工條件，提高工作良率，降低刀具耗損。

截至2022年目前全世界合作車床廠、銑床廠、送料機廠已達64家，為因應客戶需求，庫存量已達如下：筒夾、導套目前庫存量達3萬6千多個，ER筒夾庫存量達4萬個，料夾庫存量達140多萬支，中軸庫存量達30多萬支，動力座及無動力刀座庫存量達6千多座，均雙雙創下新高，實施彈性化生產可在最短時間內，提供最多且優質的產品，即時性滿足客戶最大需求，實現交得快、品質好、庫存足，在夾具類可達到一站式購足，現為各大CNC車床廠、自動送料機機械廠、銑床廠、刀桿廠、世界各國經銷商配合首選。

近年公司發展為車床零件整合生產廠商，電腦車床可提供產品涵蓋滑套、筒夾襯套、拉桿、前蓋、導套外襯套、筒夾襯套、無動力刀座、動力刀座、筒夾、導套、鑽孔軸、ER筒夾、止水筒夾、攻牙筒夾等等，可進行一條龍採購，為全世界各大機械廠提供高優質零件，並有效降低生產成本，增加各大機械廠國際競爭力。

核心競爭力 Core competitiveness

1 品質優良 Excellent quality 优	2 專業能力 Professional ability 👍	3 研發技術 R&D technology 🔬	4 彈性製造 Elastic manufacturing 💡
生產精度已達日本同產業水準 The production accuracy has reached the level of the same industry in Japan	給予最優質的生產建議 Give the best production suggestions	已有能力改善並且創新產品 Existing ability to improve and innovate products	以最少時間生產出最多品質優良產品 Produce the most high-quality products in the least time

Quality first. Reputation established.

Under the long-term corporate philosophy of quality first and customer first, all employees of Cheng Yi Precision Technology Co., Ltd. and the company have been growing steadily together. Our related company is Long Jian Rong Enterprise Ltd. (LJR), which is responsible for the production of automatic bar feeder parts, while CHENG YI is responsible for the production of lathe parts. The CHENG YI, LJR dual brand is marketed all over the world.

Our company upholds the principle of equality and mutual benefit. We have built up a core competitive advantage with a sound management system and quick response to the market. Thus, established a good reputation and cooperation base. We have been cooperating with dozens of automatic bar feeder companies and CNC automatic lathe companies in China and abroad for decades. Our products are sold in 27 countries in Europe, USA, and Asia. With excellent technology and experience, we provide our customers with top quality products. With innovations and breakthroughs, we achieve business sustainability. We are committed to satisfying our customers' needs with our customer-first and enthusiastic service. We are constantly developing new products and equipment. In addition, we continue to improve our manufacturing technology and strict quality control to provide our customers with different needs and to win their trust with prompt delivery. We welcome machine manufacturers, hardware dealers and distributors from all over the world to discuss with us cooperation.

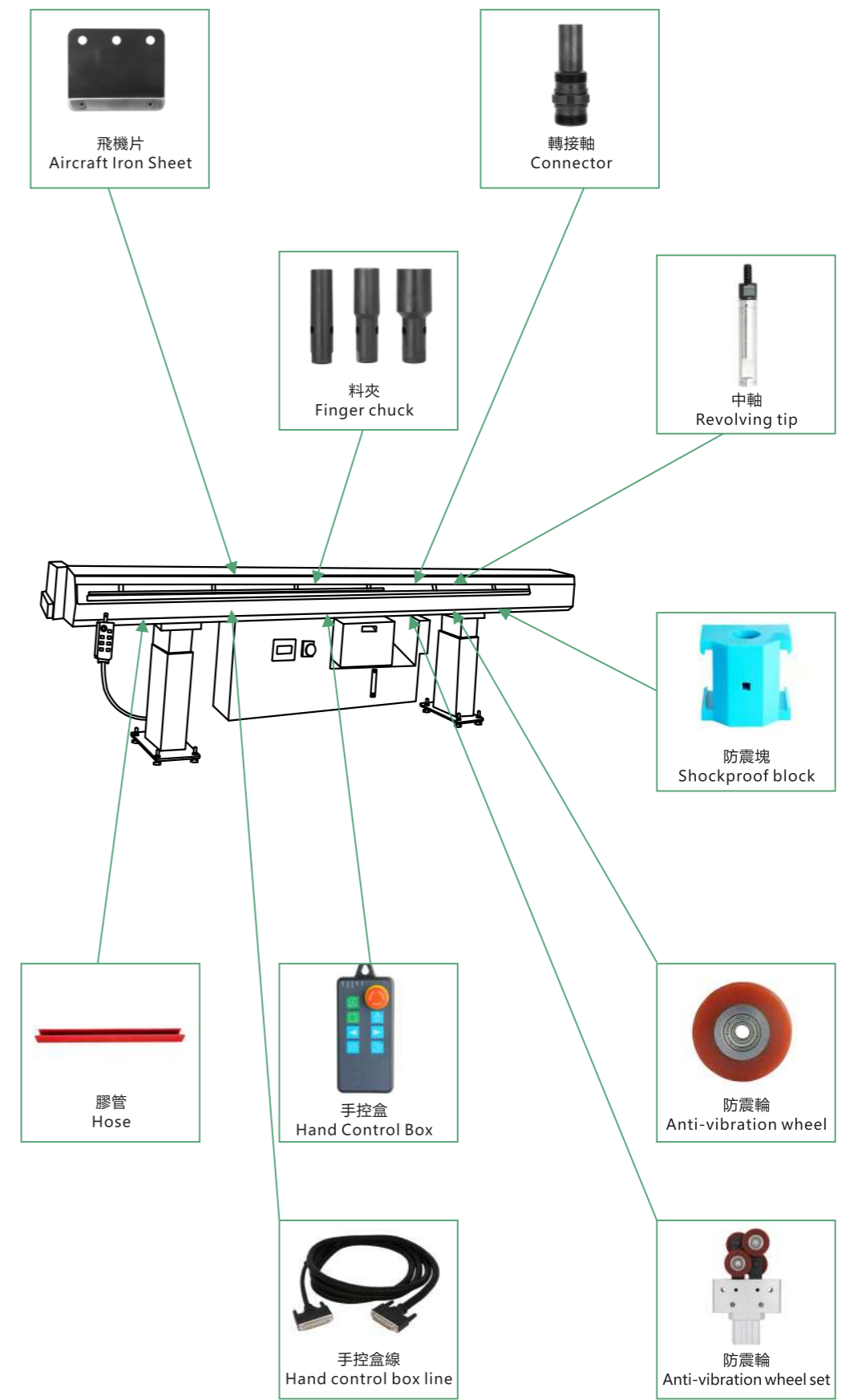
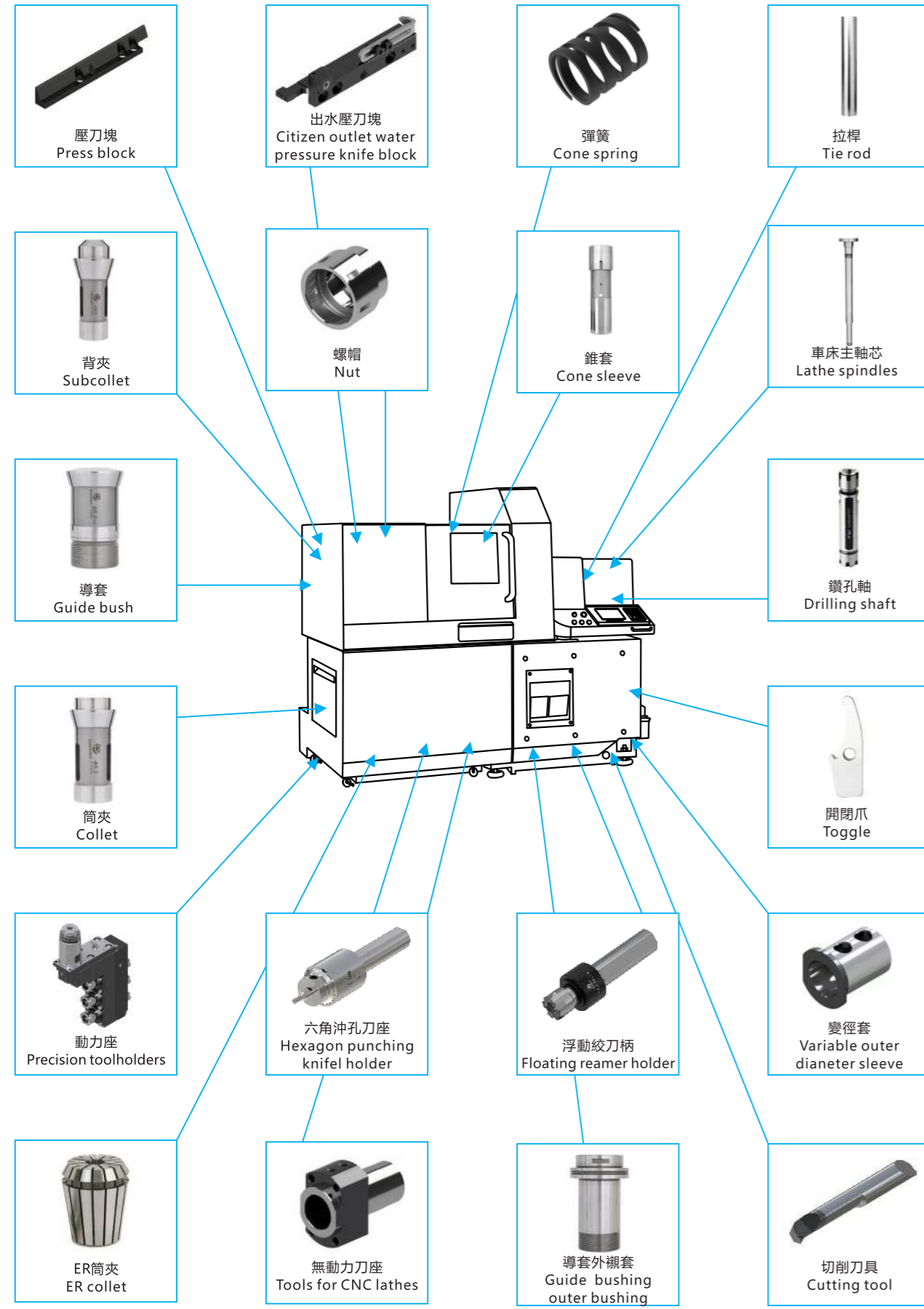
Through the efforts of all the employees over the years, we have cooperated with 33 automatic bar feeders around the world. We continue to expand our operations, keep our philosophy of continuous improvement, to provide the best C/P value products to our customers. We constantly take the challenge of meeting the product quality of advanced countries like Germany and Switzerland. Our ultimate goal is to surpass Germany and Switzerland.

The highest concentric precision of lathe collets and lathe guide sleeves has reached within 0.003mm. This product precision has approached the Japanese standard. Today, the inner-hole range of HSS collets is 0.5~65mm, and the inner-hole range of tungsten steel collets and guide sleeves is 0.5~51mm. We also produce ceramic guide sleeves for special use in stainless steel processing, to meet the increasingly sophisticated processing conditions. We will be one of the preferred cooperation partners for major lathe machinery factories. Our high C/P value makes major CNC lathe factories have more competitive advantages.

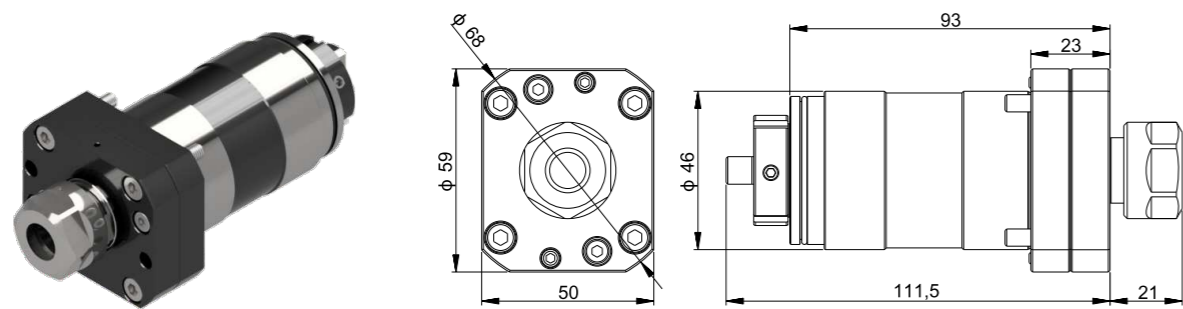
ER collets, water-stop collets, and SK precision collets are available in grades A and AA (grade UP). The highest precision is within 0.005mm, which can be used by CNC lathe factories, CNC milling machine factories, and knife handle factories to improve processing accuracy. Facing increasingly demanding processing conditions, Improve working precision and reduce tool wear

As of 2022, we have 64 partner lathe factories, milling machine factories and feeding machine factories all over the world. As of 2022, there are 64 lathe factories, milling machine factories and feeding machine factories all over the world. In response to customer demand, our inventory has reached the following levels: over 36,000 collets and guide sleeves, 40,000 ER collets, over 1.4 million finger chuck, over 300,000 Revolving tip (rotating), and over 6,000 power and non-powered tool holders. All of which are at record highs. By implementing elasticity production, we can provide the most and best quality products in the shortest time to meet customers' maximum demand in real time. We have achieved fast delivery, good quality and sufficient inventory. In the fixture category, we can provide one-stop shopping. We are now the preferred partner for CNC lathe factories, automatic feeding machine factories, milling machine factories, toolholder factories, and distributors around the world.

In recent years, our company has developed into an integrated manufacturer of lathe parts. Our CNC lathe machines can provide products including slide sleeves, collet bushings, tie rods, front covers, guide sleeve outer bushings, collet bushings, non-powered tool holders, powered tool holders, collets, guide bush, drilling shafts, ER collets, water stop collets, tapping collets, etc. One-stop procurement is possible. We provide high quality parts for all major machine factories around the world, and effectively reduce production costs and increase the international competitiveness of major machinery factories.

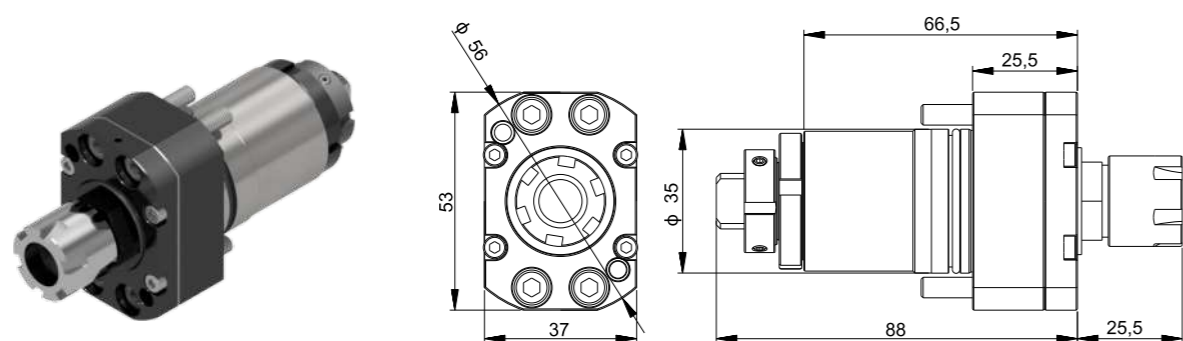


正面側銑直柄迴轉刀座 Front side milling straight shank rotary tool holder



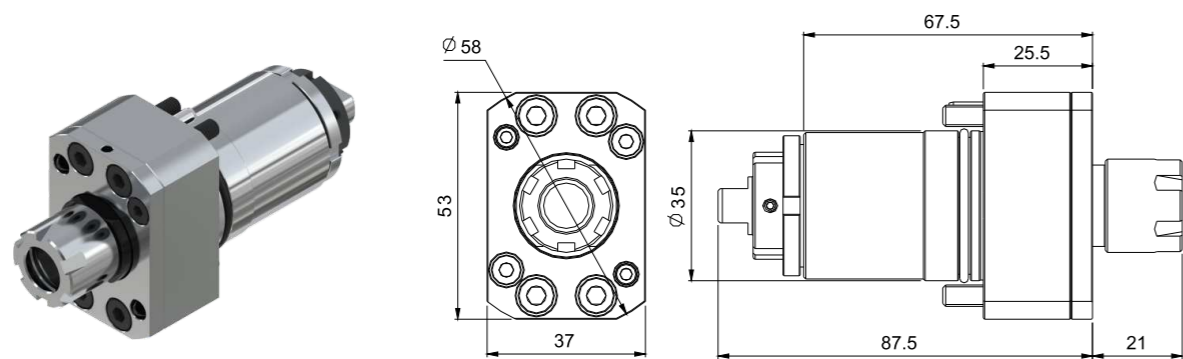
型號 Model	津上編號 TSUGAMI Number	轉速比 Speed Ratio	最高轉速 Max rpm	柄徑 Shank	孔徑 Aperture	使用筒夾 Use Collet
3268-T051	3268-T051	1:1	6000rpm	46	10.0	ER16

背面直柄迴轉刀座 Back straight shank rotary tool holder



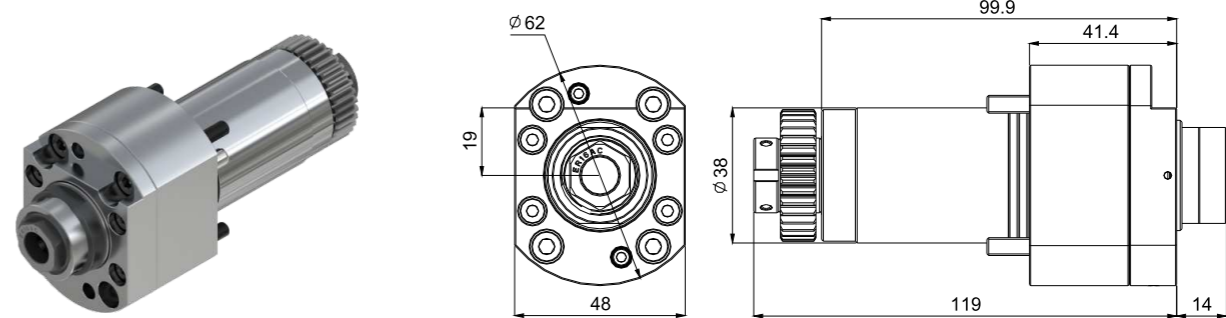
型號 Model	津上編號 TSUGAMI Number	轉速比 Speed Ratio	最高轉速 Max rpm	柄徑 Shank	孔徑 Aperture	使用筒夾 Use Collet
3281-S080	3281-S080	1:1	8000rpm	35	10.0	ER16

背面直柄迴轉刀座 Back straight shank rotary tool holder



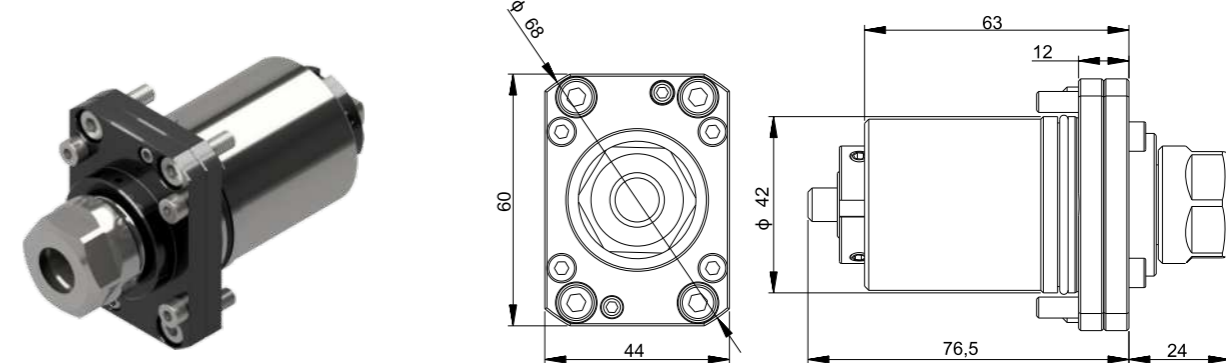
型號 Model	津上編號 TSUGAMI Number	轉速比 Speed Ratio	最高轉速 Max rpm	柄徑 Shank	孔徑 Aperture	使用筒夾 Use Collet
3281-Z79098	3281-Z79098	1:1	8000rpm	35	10.0	ER16

正面側銑直柄迴轉刀座 Front side milling straight shank rotary tool holder



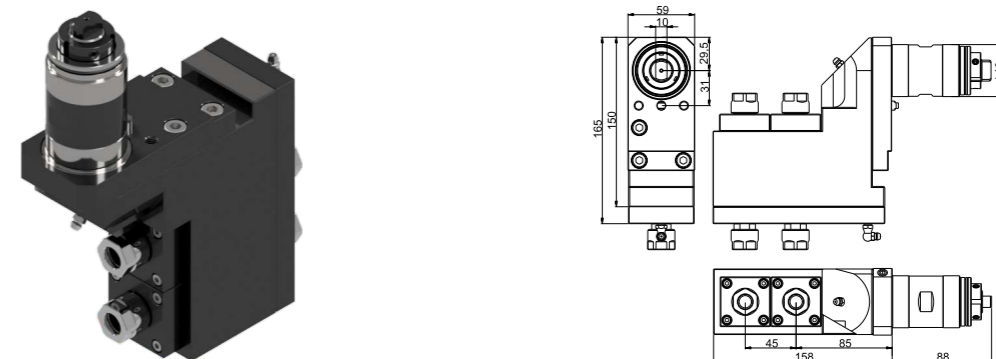
型號 Model	津上編號 TSUGAMI Number	轉速比 Speed Ratio	最高轉速 Max rpm	柄徑 Shank	孔徑 Aperture	使用筒夾 Use Collet
3281-Z74045-0100	3281-Z74045-0100	1:1	6000rpm	38	10.0	ER16

背面直柄迴轉刀座 Back straight shank rotary tool holder



型號 Model	津上編號 TSUGAMI Number	轉速比 Speed Ratio	最高轉速 Max rpm	柄徑 Shank	孔徑 Aperture	使用筒夾 Use Collet
3282-Y041	3282-Y041	1:1	6000rpm	42	10.0	ER16

正面2軸雙向動力座 Front 2-axis bidirectional power seat



型號 Model	津上編號 TSUGAMI Number	轉速比 Speed Ratio	最高轉速 Max rpm	柄徑 Shank	孔徑 Aperture	使用筒夾 Use Collet
3282-Y901	3282-Y901	1:1	6000rpm	46	10.0	ER16

無動力刀座
動力刀座及
Live tools for CNC lathes
& Fixed knife holder

A 車床筒夾
Headstock collets

B 車床導套
Guide bushes for lathes

C 開閉爪
Toggle

D 送料機零件
自動棒材
Automatic bar feeder parts

E CNC車床零件
CNC Lathe parts

F 車床零件
各種機自動
Automatic lathe parts

G CNC車床鑽孔軸
CNC Extension rod

H 攻牙筒夾/SK筒夾
ER筒夾/止水筒夾
ER Collet/Waterstop collet/
Tapping collet/SK collet

I 切削刀具G系列
Cutting Tool G Series

J 切削刀具J系列
Cutting Tool J Series

K 鑽鏤鑽頭定點鑽
Carbide spot drill

L

無動力刀座
動力刀座及
Live tools for CNC lathes
& Fixed knife holder

A 車床筒夾
Headstock collets

B 車床導套
Guide bushes for lathes

C 開閉爪
Toggle

D 送料機零件
自動棒材
Automatic bar feeder parts

E CNC車床零件
CNC Lathe parts

F 車床零件
各種機自動
Automatic lathe parts

G CNC車床鑽孔軸
CNC Extension rod

H 攻牙筒夾/SK筒夾
ER筒夾/止水筒夾
ER Collet/Waterstop collet/
Tapping collet/SK collet

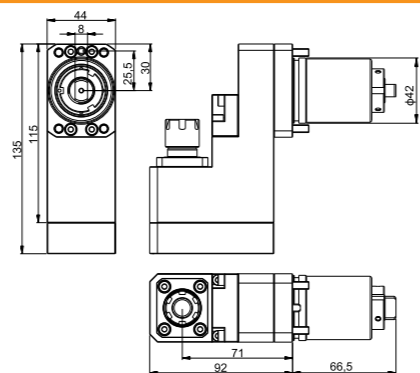
I 切削刀具G系列
Cutting Tool G Series

J 切削刀具J系列
Cutting Tool J Series

K 鑽鏤鑽頭定點鑽
Carbide spot drill

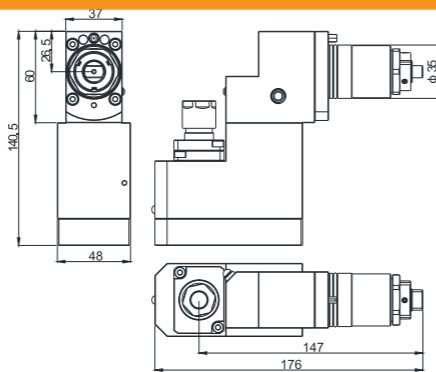
L

背面側銑單向動力座 Back side milling one-way power seat



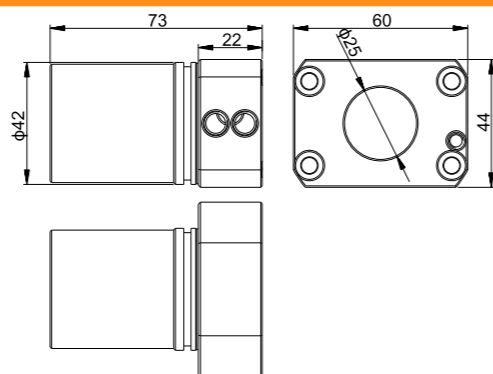
型號 Model	津上編號 TSUGAMI Number	轉速比 Speed Ratio	最高轉速 Max rpm	柄徑 Shank	孔徑 Aperture	使用筒夾 Use Collet
3290-Y041	3290-Y041	1:1	6000Rpm	42	10.0	ER16

背面側銑單向動力座 Back side milling one-way power seat



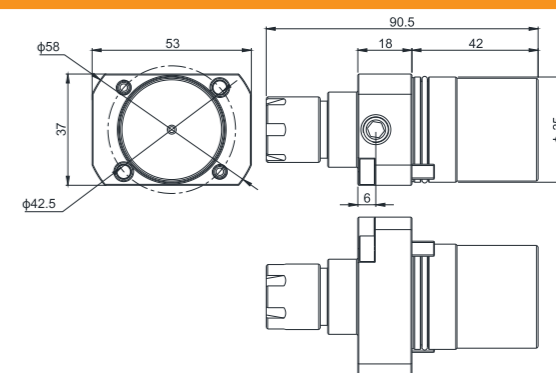
型號 Model	津上編號 TSUGAMI Number	轉速比 Speed Ratio	最高轉速 Max rpm	柄徑 Shank	孔徑 Aperture	使用筒夾 Use Collet
3281-Y461-9010	3281-Y461-9010	1:1	8000rpm	35	10.0	ER16

變徑套(中心出水) Reducer sleeve (center outlet)



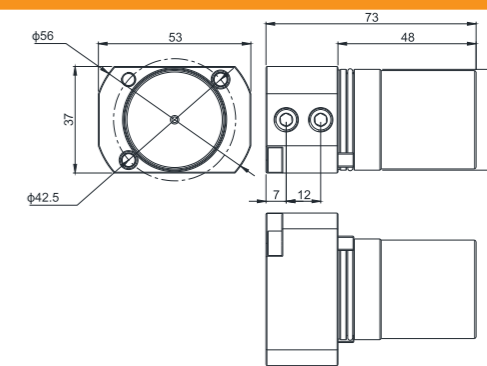
型號 Model	津上編號 TSUGAMI Number	轉速比 Speed Ratio	最高轉速 Max rpm	柄徑 Shank	孔徑 Aperture	使用筒夾 Use Collet
3282-Y212	3282-Y212	/	/	42	25.0	/

背面鑽孔座 Back drilling seat



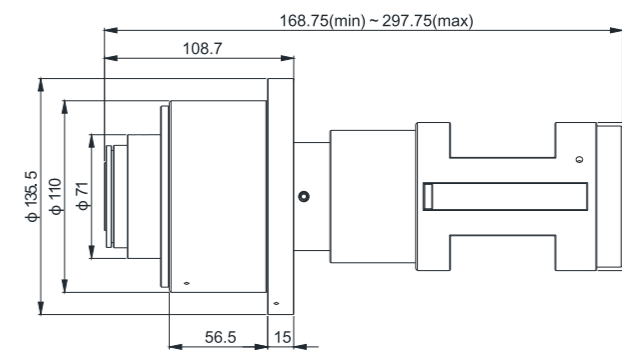
型號 Model	津上編號 TSUGAMI Number	轉速比 Speed Ratio	最高轉速 Max rpm	柄徑 Shank	孔徑 Aperture	使用筒夾 Use Collet
3282-Z71051-9010	3282-Z71051-9010	/	/	35	10.0	ER16

變徑套 Reducing sleeve



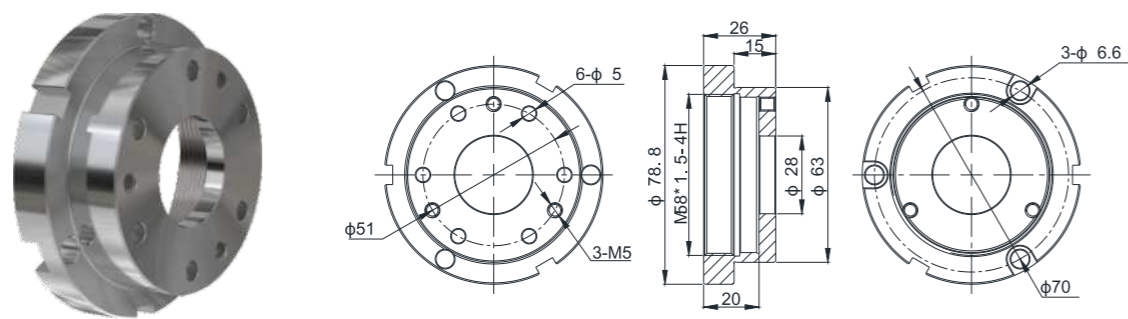
型號 Model	津上編號 TSUGAMI Number	轉速比 Speed Ratio	最高轉速 Max rpm	柄徑 Shank	孔徑 Aperture	使用筒夾 Use Collet
3281-Z79055-0302	3281-Z79055-0302	/	/	35	20.0	/

津上20#同步迴轉導套座 TSUGAMI 20# synchronous rotary guide sleeve seat



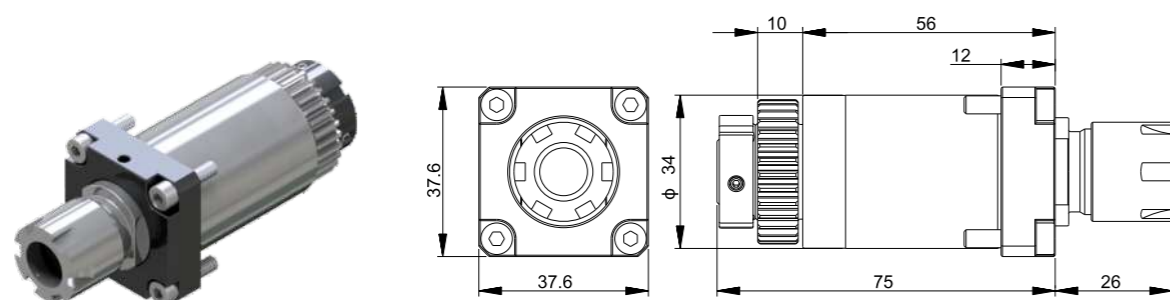
型號 Model	外徑 Outer Diameter
津上20#同步迴轉導套座	110

津上20#主軸壓帽 TSUGAMI 20# spindle pressure cap



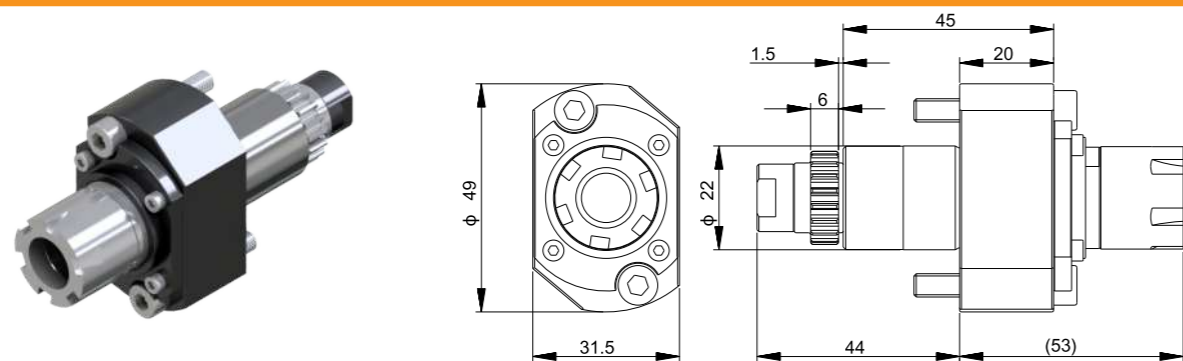
型號 Model	螺紋 Thread	孔徑 Aperture
津上20#主軸壓帽	M58x1.5-4H	28.0

側銑直柄迴轉刀座 Side milling straight shank rotary tool holder



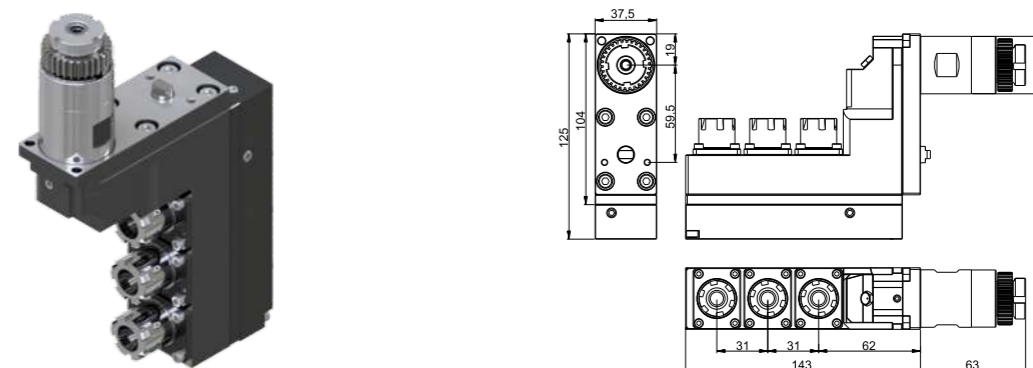
型號 Model	史達(星牌)編號 STAR Number	轉速比 Speed Ratio	最高轉速 Max rpm	柄徑 Shank	孔徑 Aperture	使用筒夾 Use Collet
33150	33150	1:1	8000rpm	34	10.0	ER16

背面直柄迴轉刀座 Back straight shank rotary tool holder



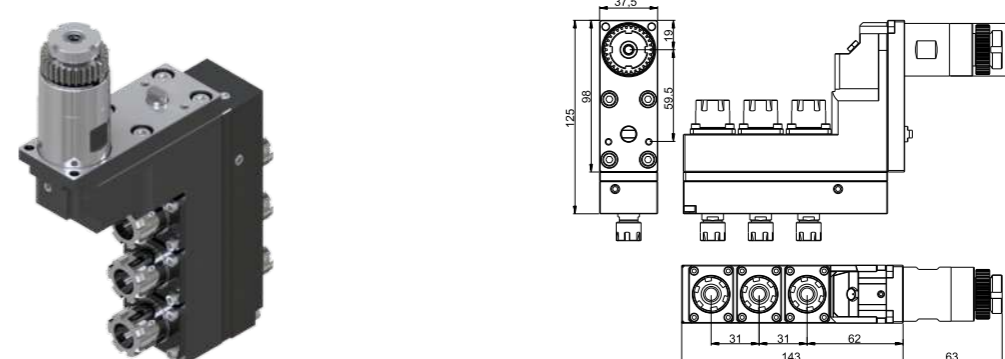
型號 Model	史達(星牌)編號 STAR Number	轉速比 Speed Ratio	最高轉速 Max rpm	柄徑 Shank	孔徑 Aperture	使用筒夾 Use Collet
57161	57161	1:1	6000rpm	22	10.0	ER16

正面3軸單向動力座 Front 3-axis one-way power seat



型號 Model	史達(星牌)編號 STAR Number	轉速比 Speed Ratio	最高轉速 Max rpm	柄徑 Shank	孔徑 Aperture	使用筒夾 Use Collet
66151	66151	1:1	6000rpm	34	10.0	ER16

正面3軸雙向動力座 Front 3-axis bidirectional power seat



型號 Model	史達(星牌)編號 STAR Number	轉速比 Speed Ratio	最高轉速 Max rpm	柄徑 Shank	孔徑 Aperture	使用筒夾 Use Collet
67161	67161/OM155	1:1	6000Rpm	34	10.0/7.0	ER16/ER11

背面鑽孔座 Back drilling seat



型號 Model	史達(星牌)編號 STAR Number	轉速比 Speed Ratio	最高轉速 Max rpm	柄徑 Shank	孔徑 Aperture	使用筒夾 Use Collet
54121-01	54121-01	/	/	22	10.0	ER16

無動力刀座
動力刀座及
Live tools for CNC lathes
& Fixed knife holder

A 車床筒夾
Headstock collets

B 車床導套
Guide bushes
for lathes

C 開閉爪
Toggle

D 送料機零件
Automatic bar
feeder parts

E 車床零件
各種機自動
Automatic lathe
parts

F CNC車床零件
CNC lathe parts

G CNC車床鑽孔軸
CNC Extension rod

H 攻牙筒夾/SK筒夾
ER筒夾/止水筒夾
ER Collet/Waterstop collet/
Tapping collet/SK collet

I 切削刀具G系列
Cutting Tool G Series

J 切削刀具J系列
Cutting Tool J Series

K 銼鑽鑽頭定點鑽
Carbide drill bit/
Carbide spot drill

無動力刀座
動力刀座及
Live tools for CNC lathes
& Fixed knife holder

A 車床筒夾
Headstock collets

B 車床導套
Guide bushes
for lathes

C 開閉爪
Toggle

D 送料機零件
Automatic bar
feeder parts

E 車床零件
各種機自動
Automatic lathe
parts

F CNC車床零件
CNC lathe parts

G CNC車床鑽孔軸
CNC Extension rod

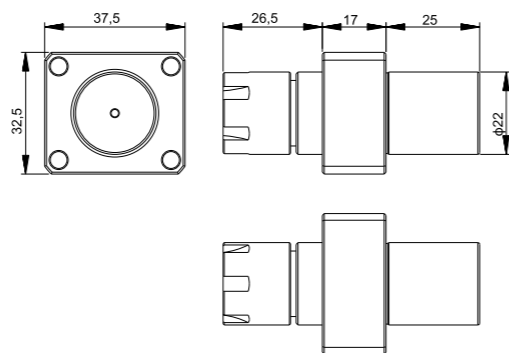
H 攻牙筒夾/SK筒夾
ER筒夾/止水筒夾
ER Collet/Waterstop collet/
Tapping collet/SK collet

I 切削刀具G系列
Cutting Tool G Series

J 切削刀具J系列
Cutting Tool J Series

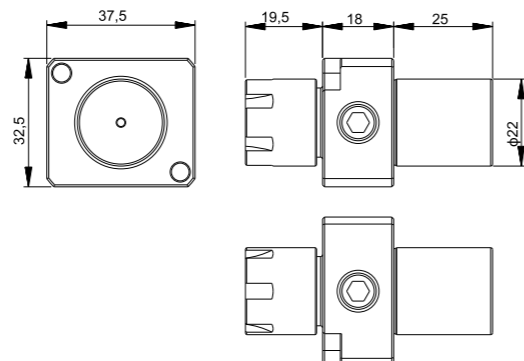
K 銼鑽鑽頭定點鑽
Carbide drill bit/
Carbide spot drill

背面鑽孔座 Back drilling seat



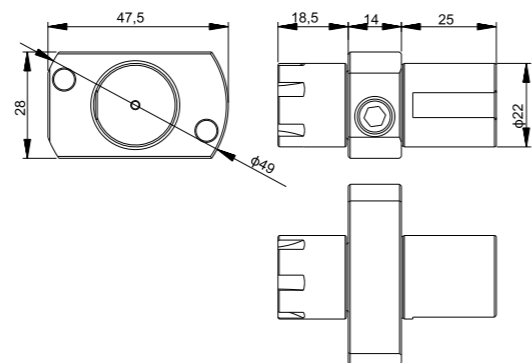
型號 Model	史達(星牌)編號 STAR Number	轉速比 Speed Ratio	最高轉速 Max rpm	柄徑 Shank	孔徑 Aperture	使用筒夾 Use Collet
0R122	0R122	/	/	22	10.0	ER16

背面鑽孔座(中心出水) Back drilling seat (center water outlet)



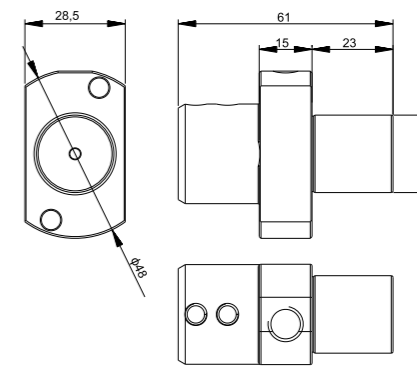
型號 Model	史達(星牌)編號 STAR Number	轉速比 Speed Ratio	最高轉速 Max rpm	柄徑 Shank	孔徑 Aperture	使用筒夾 Use Collet
0R123	0R123	/	/	22	10.0	ER16

背面鑽孔座(中心出水) Back drilling seat (center water outlet)



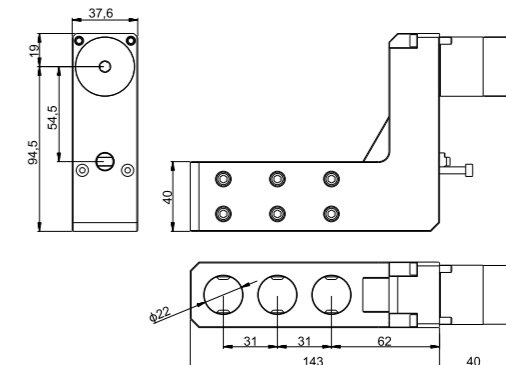
型號 Model	史達(星牌)編號 STAR Number	轉速比 Speed Ratio	最高轉速 Max rpm	柄徑 Shank	孔徑 Aperture	使用筒夾 Use Collet
67127	67127	/	/	22	10.0	ER16

背面側固刀座(中心出水) Back side fixed knife holder (center water outlet)



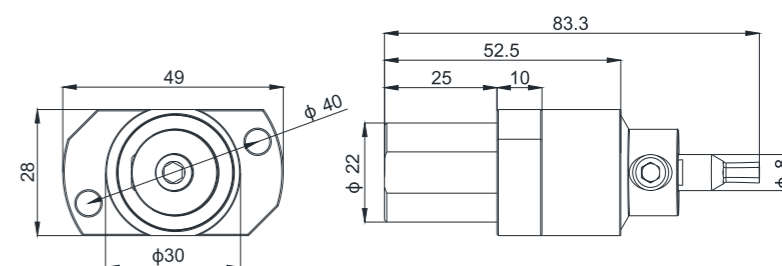
型號 Model	史達(星牌)編號 STAR Number	轉速比 Speed Ratio	最高轉速 Max rpm	柄徑 Shank	孔徑 Aperture	使用筒夾 Use Collet
B2E22	B2E22	/	/	22	3/4/5/6/8/10/12/16	/

正面3孔/鑽孔座 Front 3 holes/drilling seat



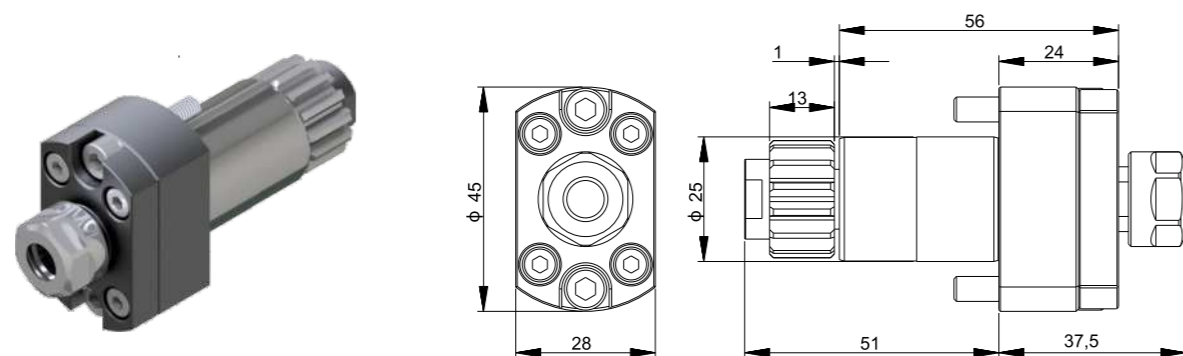
型號 Model	史達(星牌)編號 STAR Number	轉速比 Speed Ratio	最高轉速 Max rpm	柄徑 Shank	孔徑 Aperture	使用筒夾 Use Collet
STAR34322	STAR34322	/	/	34	22	/

STAR20#背軸旋轉沖削刀柄 STAR20# back axis rotary punching tool holder



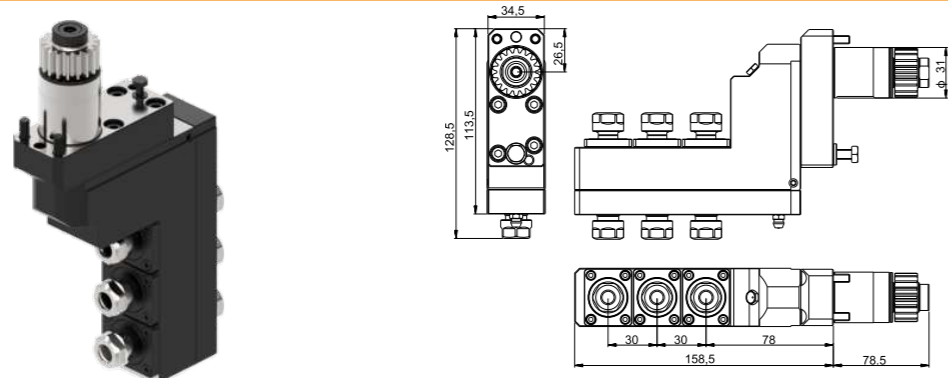
型號 Model	柄徑 Shank
STAR20#背軸旋轉沖削刀柄	22

背面迴轉刀座 Back rotary cutterbed



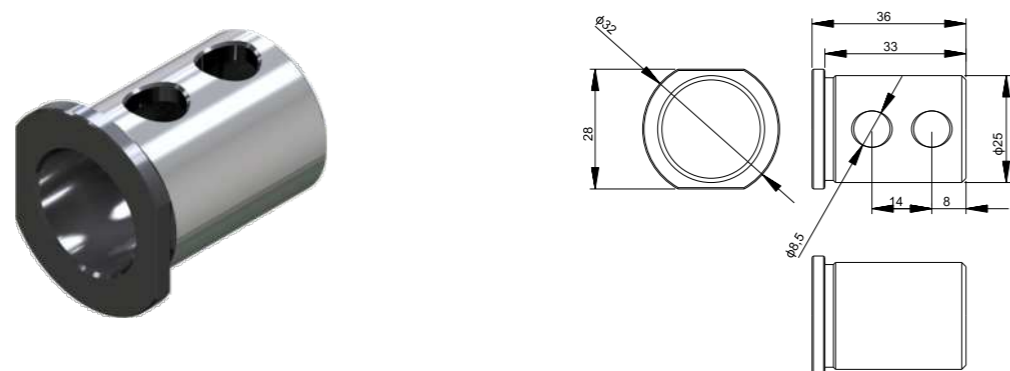
型號 Model	星辰(西鐵城)編號 CITIZEN Number	轉速比 Speed Ratio	最高轉速 Max rpm	柄徑 Shank	孔徑 Aperture	使用筒夾 Use Collet
MSC507	MSC507	1:1	10000rpm	25	7.0	ER11

正面3軸雙向動力座 Front 3-axis bidirectional power seat



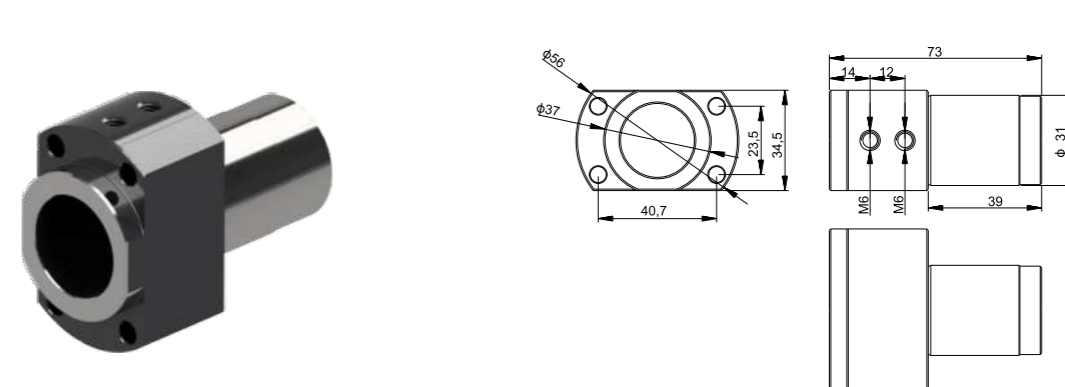
型號 Model	星辰(西鐵城)編號 CITIZEN Number	轉速比 Speed Ratio	最高轉速 Max rpm	柄徑 Shank	孔徑 Aperture	使用筒夾 Use Collet
BSE707	BSE707	1:1	6000rpm	31	7.0	ER11

變徑套 Reducing sleeve



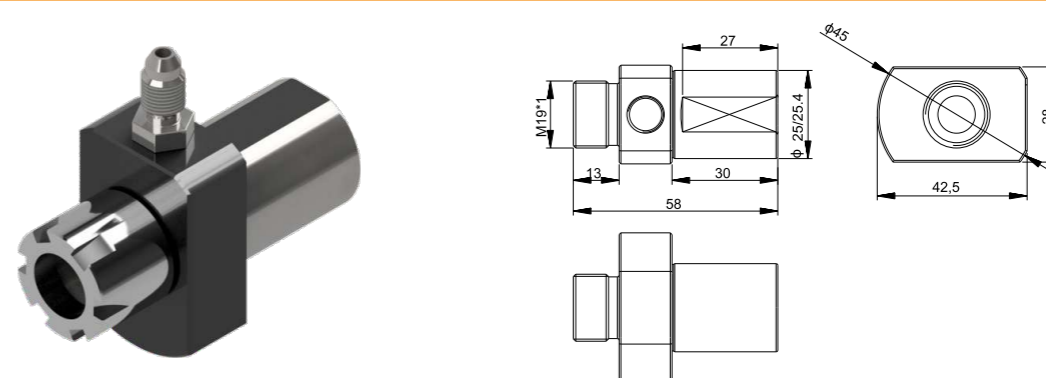
型號 Model	星辰(西鐵城)編號 CITIZEN Number	轉速比 Speed Ratio	最高轉速 Max rpm	柄徑 Shank	孔徑 Aperture	使用筒夾 Use Collet
SAU819	SAU819	/	/	25	19.05	/

變徑套 Reducing sleeve



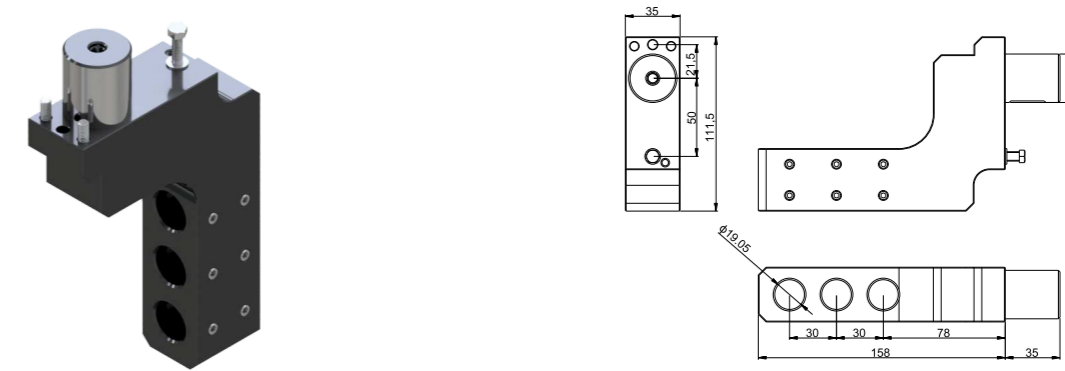
型號 Model	星辰(西鐵城)編號 CITIZEN Number	轉速比 Speed Ratio	最高轉速 Max rpm	柄徑 Shank	孔徑 Aperture	使用筒夾 Use Collet
SAU825	SAU825	/	/	31	25.4	/

背面鑽孔座(中心出水) Back drilling seat (center water outlet)



型號 Model	星辰(西鐵城)編號 CITIZEN Number	轉速比 Speed Ratio	最高轉速 Max rpm	柄徑 Shank	孔徑 Aperture	使用筒夾 Use Collet
GDE1025/GDE10254	/	/	/	25/25.4	10.0	/

正面3孔/鑽孔座 Front 3 Holes/drilling seat



型號 Model	星辰(西鐵城)編號 CITIZEN Number	轉速比 Speed Ratio	最高轉速 Max rpm	柄徑 Shank	孔徑 Aperture	使用筒夾 Use Collet
GDF1207	GDF1207	/	/	31	19.05	/

無動力刀座
動力刀座及
Live tools for CNC lathes
& Fixed knife holder

A 車床筒夾
Headstock collets

B 車床導套
Guide bushes
for lathes

C 開閉爪
Toggle

D 送料機零件
自動棒材
Automatic bar
feeder parts

E CNC車床零件
CNC lathe parts

F 車床零件
各種機自動
Automatic lathe
parts

G CNC車床鑽孔軸
CNC lathe drill
rod

H 攻牙筒夾/SK筒夾
ER筒夾/止水筒夾
ER Collet/Waterstop collet/
Tapping collet/SK collet

I 切削刀具G系列
Cutting Tool G Series

J 切削刀具J系列
Cutting Tool J Series

K 鉗鑽鑽頭定點鑽
Carbide drill bit/
Carbide spot drill

無動力刀座
動力刀座及
Live tools for CNC lathes
& Fixed knife holder

A 車床筒夾
Headstock collets

B 車床導套
Guide bushes
for lathes

C 開閉爪
Toggle

D 送料機零件
自動棒材
Automatic bar
feeder parts

E CNC車床零件
CNC lathe parts

F 車床零件
各種機自動
Automatic lathe
parts

G CNC車床鑽孔軸
CNC lathe drill
rod

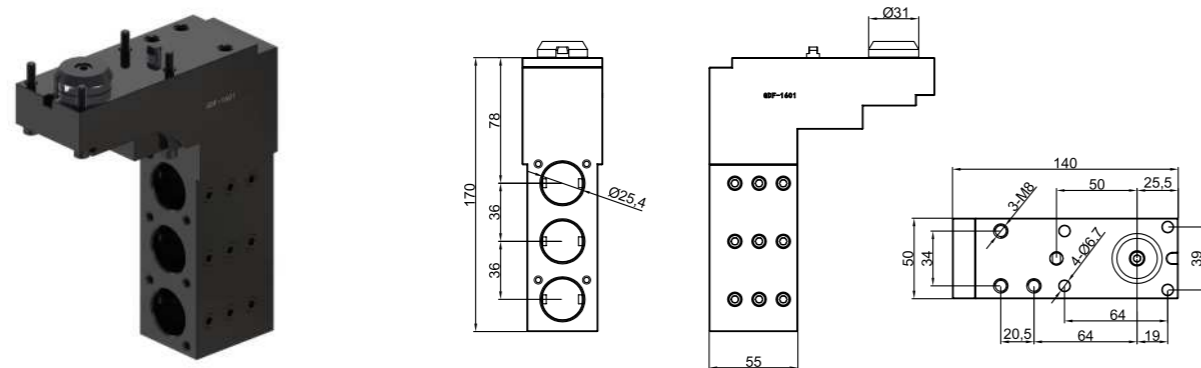
H 攻牙筒夾/SK筒夾
ER筒夾/止水筒夾
ER Collet/Waterstop collet/
Tapping collet/SK collet

I 切削刀具G系列
Cutting Tool G Series

J 切削刀具J系列
Cutting Tool J Series

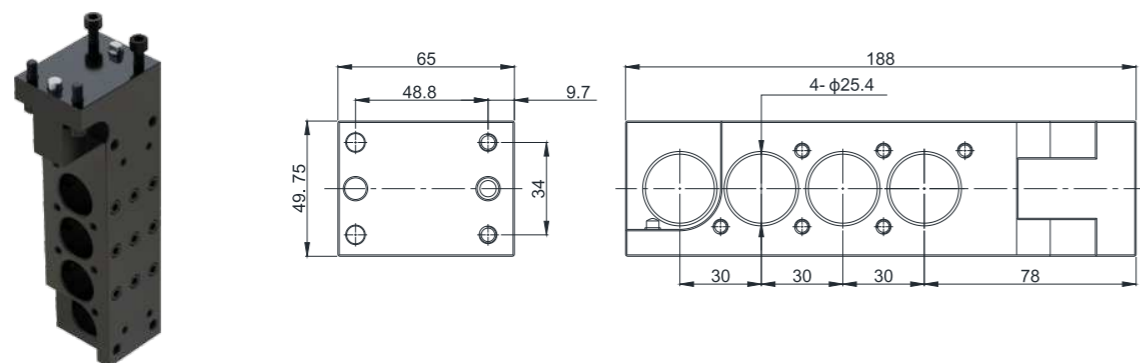
K 鉗鑽鑽頭定點鑽
Carbide drill bit/
Carbide spot drill

正面3孔/鑽孔座 Front 3 Holes/drilling seat



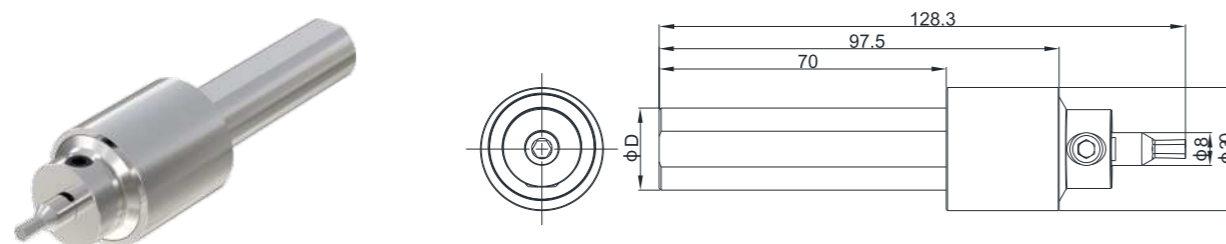
型號 Model	星辰(西鐵城)編號 CITIZEN Number	轉速比 Speed Ratio	最高轉速 Max rpm	柄徑 Shank	孔徑 Aperture	使用筒夾 Use Collet
GDF1601	GDF1601	/	/	31	25.4	/

正面4孔/鑽孔座 Front 4 Holes/drilling seat



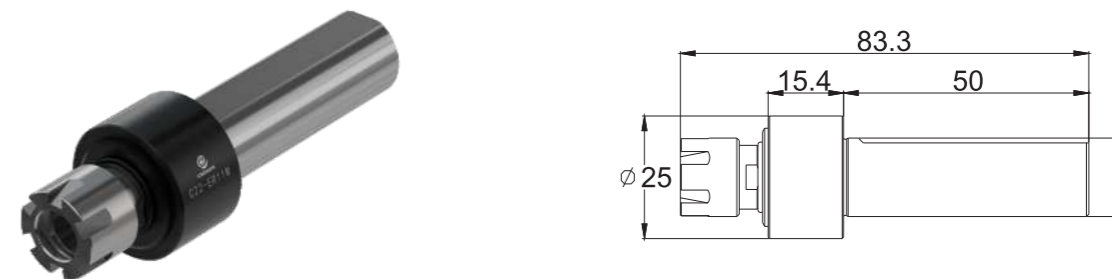
型號 Model	星辰(西鐵城)編號 CITIZEN Number	轉速比 Speed Ratio	最高轉速 Max rpm	柄徑 Shank	孔徑 Aperture	使用筒夾 Use Collet
GDF1801	GDF1801	/	/	/	25.4	/

旋轉沖削刀柄 Rotary punching tool holder



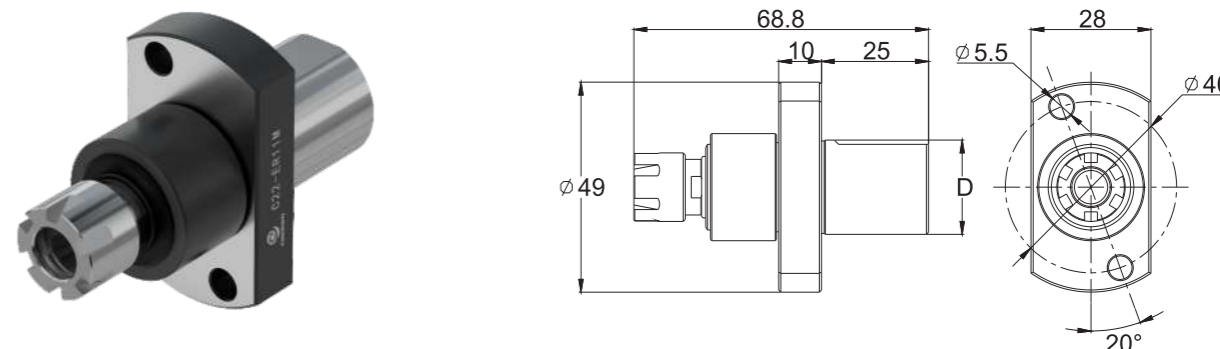
型號 Model	柄徑 Shank
旋轉沖削刀柄	16/19.05/20/22/25/25.4

浮動絞刀柄 Floating reamer holder



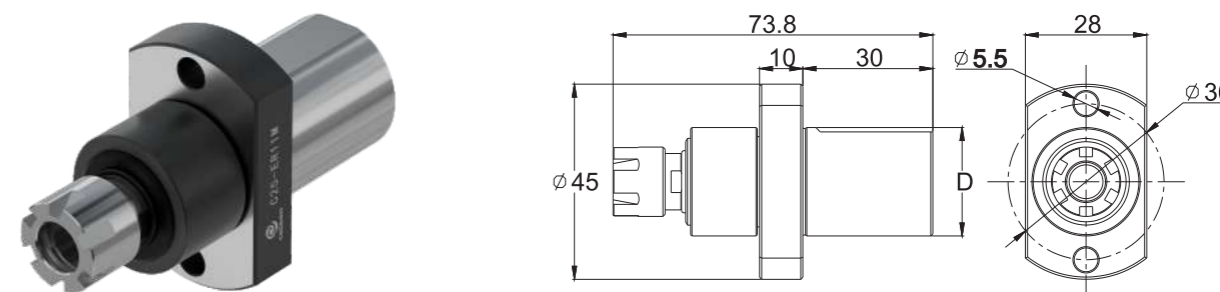
型號 Model	D(柄徑) Shank diameter	使用筒夾 Use collet
C16-ER11M	16	ER-11
C19.05-ER11M	19.05	ER-11
C20-ER11M	20	ER-11
C22-ER11M	22	ER-11
C25-ER11M	25	ER-11
C25.4-ER11M	25.4	ER-11

STAR背面浮動絞刀座 STAR floating reamer seat on the back



型號 Model	適用機種 Applicable models	D(柄徑) Shank diameter	使用筒夾 Use collet
C22-ER11M	SR-20R/SR-SR-20R/SR-20J/SR-20RIV/SR-32J20J/SR-20RIV/SR-32J	22	ER-11

CITIZEN背面浮動絞刀座 CITIZEN floating reamer holder on the back



型號 Model	適用機種 Applicable models	D(柄徑) Shank diameter	使用筒夾 Use collet
C25-ER11M	L12VII/L20E/L20X/L20XII	25	ER-11

同心精度表 Accuracy measure



筒夾圓孔 / Collet round

D	端口/Outlet space	檢測長度(L)	AAA級
1.0~1.5	0.002	6	0.003
1.5~3.0	0.002	10	0.003
3.0~6.0	0.002	16	0.003
6.0~13.0	0.002	25	0.003
14.0~20.0	0.002	30	0.005

筒夾圓孔 / Collet round

D	端口/Outlet space	檢測長度(L)	AA級
1.0~1.5	0.002	6	0.008
1.5~3.0	0.002	10	0.008
3.0~6.0	0.002	16	0.008
6.0~9.9	0.002	25	0.008
10~20.0	0.002	30	0.012

導套圓孔 / Guide bush round

D	端口/Outlet space	檢測長度(L)	AAA級
1.0~1.5	0.002	6	0.003
1.5~3.0	0.002	10	0.003
3.0~6.0	0.002	16	0.003
6.0~13.0	0.002	25	0.003
14.0~20.0	0.002	30	0.005

導套圓孔 / Guide bush round

D	端口/Outlet space	檢測長度(L)	AA級
1.0~1.5	0.002	6	0.005
1.5~3.0	0.002	10	0.005
3.0~6.0	0.002	16	0.005
6.0~9.9	0.002	25	0.005
10~20.0	0.002	30	0.008

筒夾內孔選項 Collet inner hole option



其他筒夾 Other collets



變徑筒夾
Elastic change outer diameter collet



變徑筒夾
Elastic change outer diameter collet



訂製筒夾
Customized collet



訂製筒夾
Customized collet



緊急筒夾
Emergency collet



內漲式筒夾
Internal expansion collet



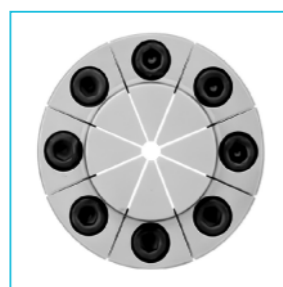
內漲式筒夾
Internal expansion collet



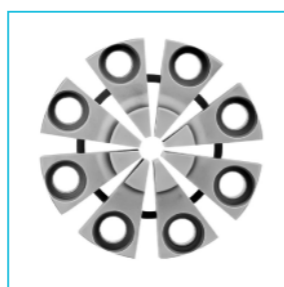
內漲式筒夾
Internal expansion collet



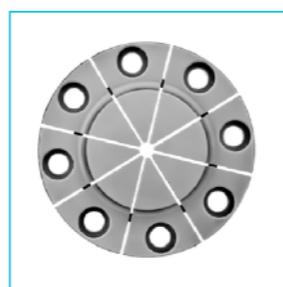
內漲式筒夾
Internal expansion collet



氣動膜片爪
Pneumatic diaphragm claw



氣動膜片爪
Pneumatic diaphragm claw



氣動膜片爪
Pneumatic diaphragm claw



瑞士製筆頭機筒夾
Swiss-made pen machine cutter head



特殊雙面夾緊筒夾
Special double-sided clamping collet

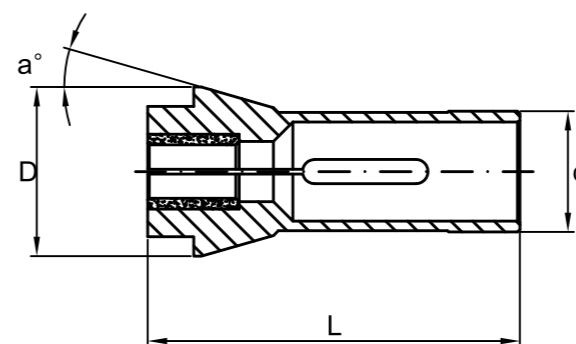


跳躍筒夾
Jumping collet



銅筒夾
Copper collet

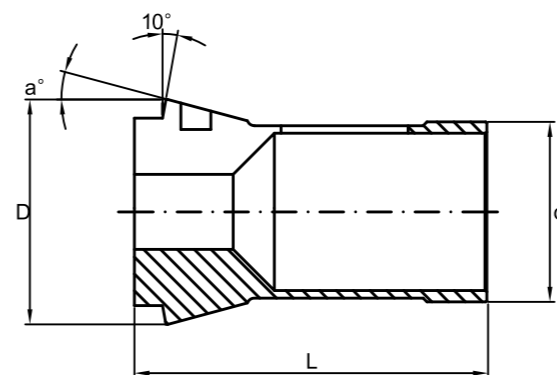
走心筒夾 Headstock collets for lathes



Machines	Type	Item No	d	L	D	Article No			
星辰(西鐵城) CITIZEN	R04	3204	ø 8.0	36	ø 11.5				
	R07,D/F/G/L-10	3910	ø 15.0	64	ø 21.0	F15/580	120E	TF15	40.003
	B12,F12	3212	ø 16.0	64	ø 21.0				
	D/E/F/L/M-16,E/F/L/M-20	3720	ø 25.0	77	ø 35.0	D25/64	145E	TF25	
	L16/20,F16/20,M16,G20,E20	3216	ø 26.0	67	ø 36.0				511.001
	F25,L25,E25,E25J	3225	ø 30.0	78	ø 42.0				
	L32,M32,E32,G32	3232	ø 37.0	92	ø 47.0				
	L38	1242	ø 48.0	94	ø 60.0	F48/81	173E	TF48	231.009
史達(星牌) STAR	SW7,SW10,JNC10,RNC10,SNC10	3910	ø 15.0	64	ø 21.0	F15/580	120E	TF15	40.003
	SE12,S13,VNC12,SJ15	3512	ø 18.0	64	ø 25.0				
	SB16	3616	ø 20.0	67	ø 26.0				
	RNC16,SE16,SR16,SH16	3516	ø 20.0	67	ø 28.0	F20/87	138E	TF20	40.004
	JNC16, VNC20	3520	ø 24.0	65.5	ø 32.0				
	KNC16/20,SR20,VNC20	3720	ø 25.0	77	ø 35.0				
	JNC16, ZNC16,VNC20	3216	ø 26.0	67	ø 36.0				
	KJR25,SCN25	3725	ø 30.0	80	ø 42.0	F30/63	157E	TF30	40.006
	JNC32/25,VNC32,MR32	3932	ø 37.0	92	ø 47.0				
	T7,BOO7,BM07	3707	ø 10.0	46	ø 16.0	F10/1178	111E		140.001
津上 TSUGAMI	L10	3710	ø 14.0	47	ø 20.0				
	NT-11,NP-11	3910	ø 15.0	64	ø 21.0	F15/580	120E	TF15	40.003
	BO12	3616	ø 20.0	67	ø 26.0			S16-HMS	
	NP-17,NP-16,NT-17	3717	ø 23.8	62	ø 28.0			S20-HM	
	NP-20,BS20,BO18,BS18	3721	ø 28.0	77	ø 35.0				
	BA-26L	3726	ø 33.0	80	ø 40.0			S25-HM	
	S-25,BS-26	3725	ø 30.0	80	ø 42.0				
	NP-32	3232	ø 37.0	92	ø 47.0				
	BH38	3738	ø 43.0	92	ø 53.0	F43		TF43	511.024
	BH38(SUB)	3739	ø 48.0	100	ø 54.0	F48		BS38	511.028

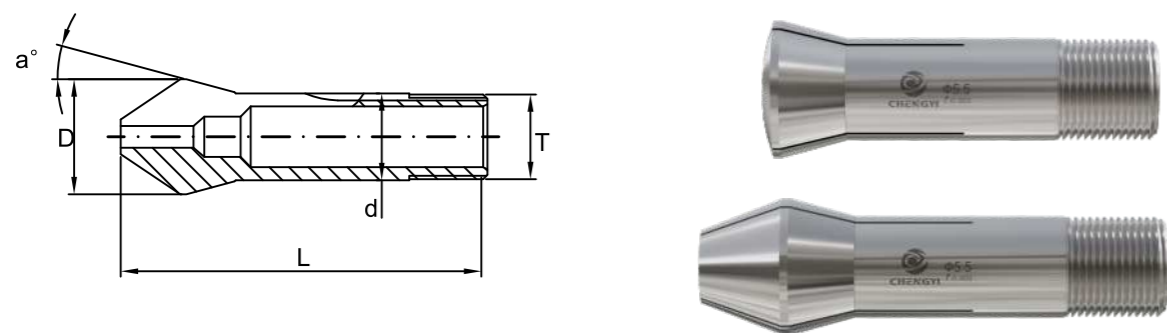
Machines	Type	Item No	d	L	D	Article No				
野村 NOMURA	NSP8410,NSP8420	3608	∅ 12.0	58	∅ 18.0					
	NSP1053,NN10K	3610	∅ 16.0	50.5	∅ 22.0					90.015
	NSP1653,NSP1253	3616	∅ 20.0	68	∅ 26.0					
	NN20KF	3216	∅ 26.0	67	∅ 36.0					511.001
	P-23	3623	∅ 29.0	72	∅ 39.0					
	NNCP2553,NN25K	3625	∅ 32.0	84.5	∅ 42.0					
托尼士 TORNOS	M4,T4,TV	3904	∅ 8.0	42	∅ 12.0	F8/577	101E	TF8		40.001
	M7	3907	∅ 10.0	47.5	∅ 15.5	F10/86	109E	TF10		40.002
	MS7	3108	∅ 13.0	64	∅ 19.0	F13/357	116E	TF13		40.016
	R10,M10	3910	∅ 15.0	64	∅ 21.0	F15/580	120E	TF15		40.003
	R125	3912	∅ 16.0	64	∅ 21.0		1212E	TF16		40.012
	R16,M15	3516	∅ 20.0	67	∅ 28.0	F20/87	138E	TF20		40.004
	RR20,R20,M20	3920	∅ 25.0	77	∅ 35.0	F25/64	145E	TF25		40.005
	M25	3925	∅ 30.0	80	∅ 42.0	F30/63	157E	TF30		40.006
	MR32,TBM32	3932	∅ 37.0	92	∅ 47.0	F37/740	1536E	TF37		40.008
	DECO 7	3907	∅ 10.0	47.5	∅ 15.5	F10/86	109E	TF10		40.002
托尼士 -DECO TORNOS- DECO	DECO 10	3910	∅ 15.0	64	∅ 21.0	F15/580	120E	TF15		40.003
	DECO 13	3912	∅ 16.0	64	∅ 21.0		1212E	TF16		40.012
	DECO 13/16	3816	∅ 20.0	54	∅ 26.0	F20/201	136E	F20/201		225.003
	DECO 20, DELTA 12/20	3920	∅ 25.0	77	∅ 35.0	F25/64	145E	TF25		40.005
	DECO 26, SIGMA 20	3826	∅ 30.0	65	∅ 38.0	F30/101	1446E	O161		90.009
韓華 HANWHA	DECO 32	3932	∅ 37.0	92	∅ 47.0	F37/740	1536E	TF37		40.008
	HANEX11,SL12	3912	∅ 16.0	64	∅ 21.0					
	HANEX17,ML18-G	2215	∅ 22.0	55	∅ 30.0	F22/71	140E			
	HANEX20	3920	∅ 25.0	77	∅ 35.0	F25/64	145E	TF25		
	HANEX25	3425	∅ 32.0	79	∅ 45.0					
	SL-32	3932	∅ 37.0	92	∅ 47.0	F37/740	1536E	TF37		
哈挺 HARDINGE	SL-35	3435	∅ 40.0	92	∅ 49.0					
	SL-35HP-II,SUB	3436	∅ 40.0	92	∅ 50.0					
	SL-38HP-II	3438	∅ 44.0	94	∅ 52.0					
	SL,ST220	3920	∅ 25.0	77	∅ 35.0	F25/64	145E	TF25		
德馬吉 DMG	ST225	3925	∅ 30.0	80	∅ 42.0	F30/63	157E	TF30		
	GMC20	3320	∅ 25.0	77	∅ 35.0					
寶麗金 POLYGYM	DIAMOND 12,12CS	3212	∅ 16.0	64	∅ 21.0					
	DIAMOND 16,16CS	3616	∅ 20.0	68	∅ 26.0					
	DIMOAND 20,20B,20CS,20CSB	3216	∅ 26.0	67	∅ 36.0					511.001
	DIMOAND 25,25B,25CS,25CSB	3225	∅ 30.0	78	∅ 42.0					
	DIMOAND 32,32b,32CS,32CSB	3232	∅ 37.0	92	∅ 47.0					
縉錫 JINN FA	DIMOAND SY-42	2242	∅ 48.0	94	∅ 60.0	F48/81	173E	TF48		231.009
	JSL-20	3721	∅ 28.0	77	∅ 35.0					
	JSL-26	3726	∅ 33.0	80	∅ 40.0					
	JSL-32	3232	∅ 37.0	92	∅ 47.0					511.001
王主 WANG TZY	JSL-42	2242	∅ 48.0	94	∅ 60.0	F48/81	173E	TF48		231.009
	JSL-51	1252	∅ 58.0	94	∅ 70.0					
	SL-1693	3616	∅ 20.0	68	∅ 26.0					
王主 WANG TZY	SL-2596	3225	∅ 30.0	78	∅ 42.0					
	SL-3295	3232	∅ 37.0	92	∅ 47.0					

前推式筒夾 Push-Type collets



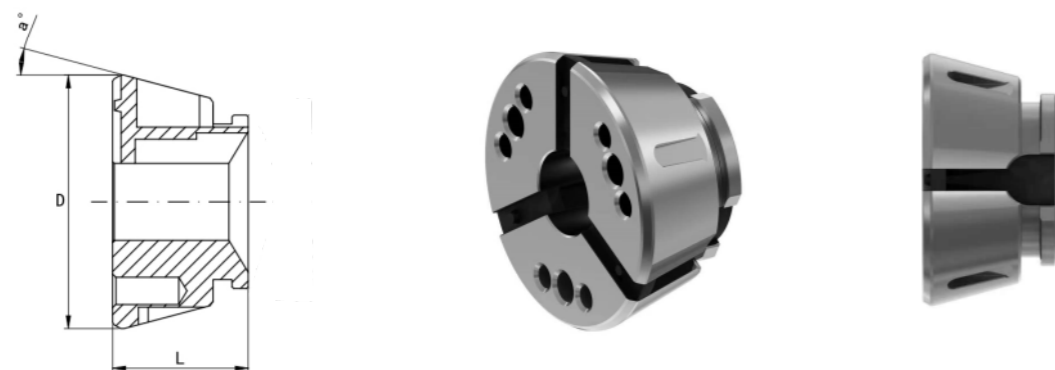
Machines	Type	Item No	d	L	D	DIN No	Schau No	NEU No
宮野 MIYANO	BNC20	1721	∅ 27.0	73	∅ 38.0			
	BNC34	1734	∅ 44.4	108	∅ 54.2			
	148E	1220	∅ 28.0	70	∅ 38.0		F28/39	231.004
	161E	1225	∅ 32.0	75	∅ 45.0	6343-32	F32/221	231.005
	164E	1232	∅ 38.1	108	∅ 49.0		F38/72	
	171E	1236	∅ 42.0	94	∅ 55.0	6343-42	F42/99	231.007
	173E	1242	∅ 48.0	94	∅ 60.0	6343-48	F48/81	231.009
洽群 CC	177E	1252	∅ 58.0	94	∅ 70.0			
	洽群32#(164E)	1232	∅ 38.1	108	∅ 49.0		F38/72	
	洽群36#(171E)	1236	∅ 42.0	94	∅ 55.0	6343-42	F42/99	231.007
	洽群42#(173E)	1242	∅ 48.0	94	∅ 60.0	6343-48	F48/81	231.009
利高 LICO	洽群52#(177E)	1252	∅ 58.0	94	∅ 70.0			
	利高32#(164E)	1232	∅ 38.1	108	∅ 49.0		F38/72	
	利高42#(173E)	1242	∅ 48.0	94	∅ 60.0	6343-48	F48/81	231.009
理研 RIKEN	利高52#(177E)	1252	∅ 58.0	94	∅ 70.0			
	SAD-25	1721	∅ 30.0	66	∅ 43.0			
	SAD-40	1742	∅ 48	84	∅ 66.0			
	SAD-50	1750	∅ 56.0	94	∅ 68.0			
應戴克斯 INDEX	SAD-65	1765	∅ 75.0	100	∅ 93.0			
	INDEX#36	1236	∅ 42.0	94	∅ 55.0	6343-42	F42/99	231.007
	INDEX#42	1242	∅ 48.0	94	∅ 60.0	6343-48	F48/81	231.009
特勞普 TRAUB	INDEX#52	1252	∅ 58.0	94	∅ 70.0			
	INDEX#60	1261	∅ 66.0	110	∅ 84.0	6343-60	F66/359	231.001
	TRAUB A-15	1215	∅ 22.0	55	∅ 30.0	6343-22	F22/71	
特勞普 TRAUB	TRAUB A-20	1220	∅ 28.0	70	∅ 38.0		F28/93	231.004
	TRAUB A-25	1225	∅ 32.0	75	∅ 45.0	6343-32	F32/221	231.005

Schaublin五軸磨刀座筒夾 Schaublin sharpening machine collet



Machines	Type	Item No	d	L	D
肖柏林 Schaublin	B8	72-137	∅6	31.3	∅10.5
	W10	80-1	∅10	43.6	∅14
	W15	80-3	∅15.0	58.3	∅20.2
	W20	80-4	∅20.0	73	∅26.3
	W20	80-107	∅20.0	73	∅26.3
	W20	80-92744	∅20.0	84.5	∅26.3
	W25	80-5	∅25.0	97.6	∅33.7

橡膠筒夾 Rubber collet

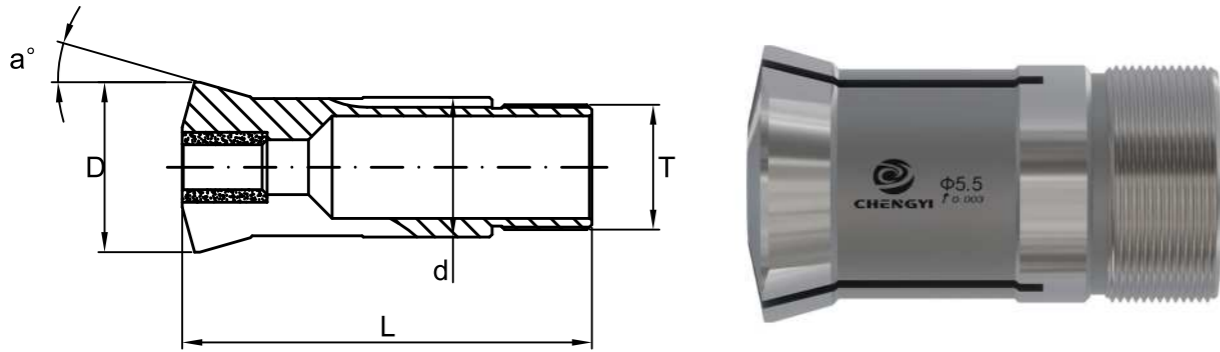


Machines	Type	L	D	a°
橡膠筒夾 Rubber collet	RC32	44	57.7	12°
	RC32N	49	57.7	12°
	RC42S	42	79.3	15°
	RC42N	47	79.3	15°
	RC52S	46	79.2	15°
	RC52N	46	79.2	15°
	RC65S	53	99.5	15°
	RC65N	58	99.5	15°
	RC80S	53	114.5	15°
	RC80N	53	114.5	15°
	RC100S	59	144.5	15°
	RC100N	59	144.5	15°
	RC120S	61	180	15°
	RC120N	61	180	15°

導套內孔選項 Guide bush hole options



導套 Guide bushes



Machines	Type	Item No	d	L	D	T	Article No		
星辰(西鐵城) CITIZEN	R04	5204	∅ 9.0	38.5	∅ 12.5	M8X0.75		263.001	
	R07	5907	∅ 11.0	52	∅ 14.5	M10X0.75	3134E	3.001	TD-7
	D10,E10,F10,L10	5910	∅ 16.0	59	∅ 20.5	M14X1.0	3260E	8.001	TD10
	B12,F12,C12,A12	5212	∅ 18.0	60	∅ 22.0	M18X1.0	3319E	174.001	SD125R
	B20,M20,L20	5920	∅ 28.0	82	∅ 34.0	M25X1.0	3602E	22.001	TD25S
	L16/20,F16/F20,E20,Wf6,206M	5216	∅ 30.0	59	∅ 35.0	M30X1.0		510.001	
	F25,L25,E25,E25J	5725	∅ 34.0	87.5	∅ 41.0	M34X1.0	3733E	451.001	CD25
	L32,M32,G32,E32	5232	∅ 42.0	82	∅ 48.0	M40X1.0		28.01	TD32
	L38			∅ 48.0	82	∅ 54.0	M46X1.0		
史達(星牌) STAR	SW-7	5907	∅ 11.0	52	∅ 14.5	M10X0.75	3134E	3.001	TD-7
	JNC-10,RNC-10,SNC-10	5910	∅ 16.0	59	∅ 20.5	M14X1.0	3260E	8.001	TD10
	SE12,VNC12,SJ15,SNC15	5512	∅ 21.0	58	∅ 24.0	M18X1.0	3438E	450.001	SNC15
	SB16,SR16	5616	∅ 22.0	70.5	∅ 26.0	M20X1.0		487.001	P1653D
	RNC16,SE16,SA16,VNC16,KNC16	5516	∅ 22.0	68	∅ 29.0	M22X1.0			
	SA-16,SR-16	5916	∅ 22.0	68	∅ 29.0	M22X1.0	3455E	39.001	TD20R
	SR20,KNC16,VNC20	5920	∅ 28.0	82	∅ 34.0	M25X1.0	3602E	22.001	TD25S
	JNC16,L16/20,ZNC16,VNC20	5216	∅ 30.0	59	∅ 35.0	M30X1.0		510.001	
	SCN-25,KJR-25	5725	∅ 34.0	87.5	∅ 41.0	M34X1.0	3733E	451.001	CD25
	JNC32/25,VNC32/25,MR32,SR32	5532	∅ 42.0	82	∅ 49.0	M40X1.0	3827E	28.001	TD32S
SX38	5538	∅ 48.0	82.5	∅ 54.0	M46X1.0				
津上 TSUGAMI	NP-4W	5907	∅ 11.0	52	∅ 14.5	M10X0.75	3134E	3.001	TD-7
	T7,BOO7,BM07	5707	∅ 12.0	52	∅ 15.8	M12X1.0	3149E	261.001	
	L10	5710	∅ 15.0	54	∅ 19.0	M14X1.0			
	NT-11,NP-11	5212	∅ 18.0	60	∅ 22.0	M18X1.0	3319E	174.001	SD125R
	BO12	5616	∅ 22.0	70.5	∅ 26.0	M20X1.0		487.001	P1653D
	NP-17,NP-16,NT-17	5717	∅ 23.0	72	∅ 28.0	M22X1.0		483.001	TSG20R
	NP-20,BS20,BO18,BS18	5720	∅ 30.0	70	∅ 36.0	M28X1.0		486.001	NN20KD
	BO20-CV	5721	∅ 26.0	77	∅ 29.0	M25X1.0			TD26
	BA-26	5726	∅ 33.0	70	∅ 38.0	M30X1.0			
	BA-26L	5724	∅ 32.0	70	∅ 38.0	M30X1.0			
鉗鑽鑽頭定點鑽 Carbide drill bit/ Cartridge spot drill	S-25,BS-26	5725	∅ 34.0	87.5	∅ 41.0	M34X1.0	3733E	451.001	CD25
	NP-32	5532	∅ 41.0	82	∅ 46.0	M38X1.0	3827E	28.001	TD32S
	BH38	5738	∅ 48.0	81	∅ 54.0	M46X1.0			

Machines	Type	Item No	d	L	D	T	Article No		
野村 NOMURA	NS-P8410,NS-P8420	5608	∅ 14.0	60.5	∅ 20.0	M14X1.0		480.001	P853D
	NS-P1053,NN-10K,	5610	∅ 16.0	63	∅ 20.0	M14X1.0		481.001	P1053D
	NS-P1653,NS-P1253	5616	∅ 22.0	70.5	∅ 26.0	M20X1.0		487.001	P1653D
	NN-P20,NN-20KF	5620	∅ 30.0	67.5	∅ 35.0	M30X1.0			
	NNC-P2553,NN-25K	5625	∅ 36.0	89	∅ 44.0	M36X1.0			
P-32	5632	∅ 44.0	90	∅ 50.0	M40X1.0				
托尼士 TORNOS	M4,T4,TV	5904	∅ 9.0	44	∅ 12.0	M8X0.75	3077E	1.001	PD-4
	M7	5907	∅ 11.0	52	∅ 14.5	M10X0.75	3134E	3.001	TD-7
	M7,MS7	5908	∅ 13.0	68	∅ 17.0	M13X1.0		45.001	
	R10,M10,R125,MS7	5910	∅ 16.0	59	∅ 20.5	M14X1.0	3260E	8.001	TD10
	R10,M10,R125	5212	∅ 18.0	60	∅ 22.0	M18X1.0	3319E	174.001	SD125R
	M15,R16,RR20	5915	∅ 22.0	68	∅ 29.0	M19X1.0	3454E	13.001	TD20
	M15,R16,RR20	5916	∅ 22.0	68	∅ 29.0	M22X1.0	3455E	39.001	TD20R
	RR20,	5920	∅ 28.0	82	∅ 34.0	M25X1.0	3602E	22.001	TD25S
	M20,M25	5925	∅ 32.0	70.5	∅ 40.0	M32X1.0	3708E	282.001	TSD20
	MR32	5932	∅ 44.0	87.5	∅ 53.0	M40X1.0	3835E	27.001	
托尼士 -DECO TORNOS -DECO	DECO 2000-7	5907	∅ 11.0	52	∅ 14.5	M10X0.75	3134E	3.001	TD-7
	DECO 2000-10	5910	∅ 16.0	59	∅ 20.5	M14X1.0	3260E	8.001	TD10
	DECO 2000-13/16	5816	∅ 24.0	61	∅ 29.5	M24X1.0	3507E	61.002	O201
	DECO 2000-20	5820	∅ 28.0	82	∅ 38.0	M25X1.0	3610E	18.001	TD25/167
	DECO 2000-26	5725	∅ 34.0	87.5	∅ 41.0	M34X1.0	3733E	451.001	CD25
DECO 2000-32	5532	∅ 42.0	82	∅ 49.0	M40X1.0	3827E	28.001	TD32S	
韓華 HANWHA	HANEX11,SL12	5212	∅ 18.0	60	∅ 22.0	M18X1.0	3319E	174.001	SD125R
	HANEX17,ML18-G	5916	∅ 22.0	68	∅ 29.0	M22X1.0	3455E	39.001	TD20R
	HANEX20	5920	∅ 28.0	82	∅ 34.0	M25X1.0	3602E	22.001	TD25S
	HANEX25	5725	∅ 34.0	87.5	∅ 41.0	M34X1.0	3733E	451.001	CD25
	SL-32	5532	∅ 42.0	82	∅ 49.0	M40X1.0	3827E	28.001	TD32S
	SL-35,SL-38	5435	∅ 45.0	82	∅ 52.0	M42X1.0			
	SL-38HP-II	5438	∅ 46.0	82	∅ 53.0	M45X1.0			
哈挺 HARDINGE	SL,ST220	5720	∅ 30.0	70	∅ 36.0	M28X1.0		486.001	NN20KD
	ST220	5920	∅ 28.0	82	∅ 34.0	M25X1.0	3602E	22.001	TD25S
	ST225	5725	∅ 34.0	87.5	∅ 41.0	M34X1.0	3733E	451.001	CD25
德馬吉 DMG	GMC20	5820	∅ 28.0	82	∅ 38.0	M25X1.0	3610E	18.001	TD25/167
寶麗金 POLYGYM	DIAMOND 12,12CS	5212	∅ 18.0	60	∅ 22.0	M18X1.0	3319E	174.001	SD125R
	DIAMOND 16,16CS	5616	∅ 22.0	70.5	∅ 26.0	M20X1.0		487.001	P1653D
	DIAMOND 20,20B,20CS,20CSB	5216	∅ 30.0	59	∅ 35.0	M30X1.0		510.001	
	DIAMOND 25,25B,25CS,25CSB	5725	∅ 34.0	87.5	∅ 41.0	M34X1.0	3373E	451.001	CD25
	DIAMOND 32,32B,32CS,32CSB	5232	∅ 42.0	82	∅ 48.0	M40X1.0		28.01	TD32
	DIAMOND 42-2Y	5542	∅ 50.0	82	∅ 56.5	M49X1.0			
	JSL-20	5720	∅ 30.0	70	∅ 36.0	M28X1.0		486.001	NN20KD
縉錫 JINN FA	JSL-26	5725	∅ 34.0	87.5	∅ 41.0	M34X1.0	3733E	451.001	CD25
	JSL-32	5532	∅ 42.0	82	∅ 49.0	M40X1.0	3827E	28.001	TD32S
	JSL-42	5342	∅ 52.0	95	∅ 59.0	M50X1.0			
	JSL-51	5050	∅ 62.0	105	∅ 70.0	M60X1.0			
	SL-1693	5616	∅ 22.0	70.5	∅ 26.0	M20X1.0		487.001	P1653D
王主 WANG ZY	SL-2596	5725	∅ 34.0	87.5	∅ 41.0	M34X1.0	3733E	451.001	CD25
	SL-3295	5232	∅ 42.0	82	∅ 48.0	M40X1.0		28.01	TD32

無動力刀座
Live tools for CNC lathes
& Fixed knife holder

車床筒夾
Headstock collets

車床導套
Guide bushes for lathes

開閉爪
Toggle

送料機零件
Automatic bar feeder parts

CNC車床零件
CNC lathe parts

車床零件
Automatic lathe parts

CNC車床鑽孔軸
CNC Extension rod

攻牙筒夾/SK筒夾
ER Collet/Waterstop collet/
Tapping collet/SK collet

切削刀具G系列
Cutting Tool G Series

切削刀具J系列
Cutting Tool J Series

鉗鑽鑽頭定點鑽
Carbide drill bit/
Cartridge spot drill

開閉爪 Toggle

自動車床開閉爪 Automatic lathe toggle	自動車床開閉爪 Automatic lathe toggle	自動車床開閉爪 Automatic lathe toggle	桌上車床開閉爪 Bench lathe toggle
富士0825 Fuji 0825	島本4# Shimamoto 4#	錫峯15# GF 15#	山榮15# SR 15#
富士加長 Fuji lengthen	島本7# Shimamoto 7#	錫峯20# GF 20#	山榮20# SR 20#
富士0835 Fuji 0835	島本10L Shimamoto 10L	奕東15# WE 15#	先鎰15# SY 15#
富士16# Fuji 16#	島本12# Shimamoto 12#	東本16# TP 16#	先鎰25# SY 25#
富士25# Fuji 25#	野村8# Nomura 8#	洽群15# CC 15#	昇岱15# SD 15#
大和8# Daiwa 8#	野村10# Nomura 10#	洽群20# CC 20#	昇岱25# SD 25#
大和102 Daiwa 102	野村10T Nomura 10T	洽群32# CC 32#	昇岱32# SD 32#
大和801 Daiwa 801	野村10S Nomura 10S	特勞普16# Traub 16#	昇岱42# SD 32#
大和15# Daiwa 15#	野村12# Nomura 12#	特勞普25# Traub 25#	昇岱42# SD 32#
大和10P Daiwa 10P	野村16# Nomura 16#	特勞普30# Traub 30#	詠和15# YB 15#
史達4# STAR 4#	野村NN16 Nomura NN16	特勞普42# Traub 42#	詠和25# TB 25#
史達8# STAR 8#	野村16D Nomura 16D	舜詠15# SU15#	詠和25N YB 25N
史達10J STAR 10J	野村NN20 Nomura NN20	舜詠25# SU25#	詠和30# YB 30#
史達12# STAR 12#	野村NN20J Nomura NN20J	名陽15# MY 15#	詠和42# YB 42#
史達13# STAR 13#	野村25# Nomura 25#	名陽20# MY 20#	洽群15# CC 15#
史達RNC16(新款) STAR RNC16(New)	星辰12# Citizen 12#	托尼士7# Tornos 7#	洽群25# CC 25#
史達RNC16(舊款) STAR RNC16	星辰12B Citizen 12(B)	托尼士10# Tornos 10#	洽群32# CC 32#
史達RNC16 B軸 STAR RNC16 (B)	星辰12BL Citizen 12BL	托尼士CT20# Tornos CT20#	
史達SR20R STAR SR20R	星辰12BL Citizen 12BL	荔存15# SHYE TOWEN 15#	
史達SR20R (B軸) STAR SR20R (B)	星辰12#新背面 Citizen 12#(New)	荔存20# SHYE TOWEN 20#	
史達SR32# STAR 32#	星辰16# Citizen 16#	荔存32# SHYE TOWEN 32#	
史達SR38# STAR 38#	星辰16B Citizen 16(B)	史特龍13# Strohm 13#	
津上4# Tugami 4#	星辰20B Citizen 20(B)	縉錫20#主軸 JF 20#	
津上7# Tugami 7#	星辰20/25BL Citizen 20/25BL	縉錫20#主軸 JF 20#	
津上NP11 Tugami NP11	王主15# WZ 15#	縉錫20#副軸 JF 20#(B)	
津上NP17 Tugami NP17	王主20# WZ 20#	縉錫32AS180B JF 32AS180B	
津上NP17B Tugami NP17 (B)	王主25# WZ 25#	縉錫JSL42AB JF JSL42AB	
津上NP20 Tugami NP20	王主32# WZ 32#	進發25# JF25#	
津上BO203 Tugami BO203	王主1693主軸 WZ 1693	進發32# JF32#	
津上BO205 Tugami BO205	王主1693B軸 WZ 1693(B)	連勝25# LZ 25#	
津上BO206 Tugami BO206	程泰SW20#主軸 GOODWAY SW20	寶麗金20# Polygim 20#	
津上BO12 Tugami BO12	程泰20#副軸 GOODWAY SW20(B)	瑞隆15# RUEY LONG 15#	
津上S25 Tugami S25	程泰SK38#主軸 GOODWAY SK38#	瑞隆25# RUEY LONG 25#	
津上BA26 Tugami BA26	利晟32# Lisheng 32#	韓華SAP# HANWHA SAP	
津上BO385 Tugami BO385	山給15# SH15#	韓華X35# HANWHA X35	
宮野25# Miyano 25#	山給20# SH20#	連博32# LB 32#	
宮野42# Miyano 42#	東洋15# TOYO 15#	利晟32# Lisheng 32#	

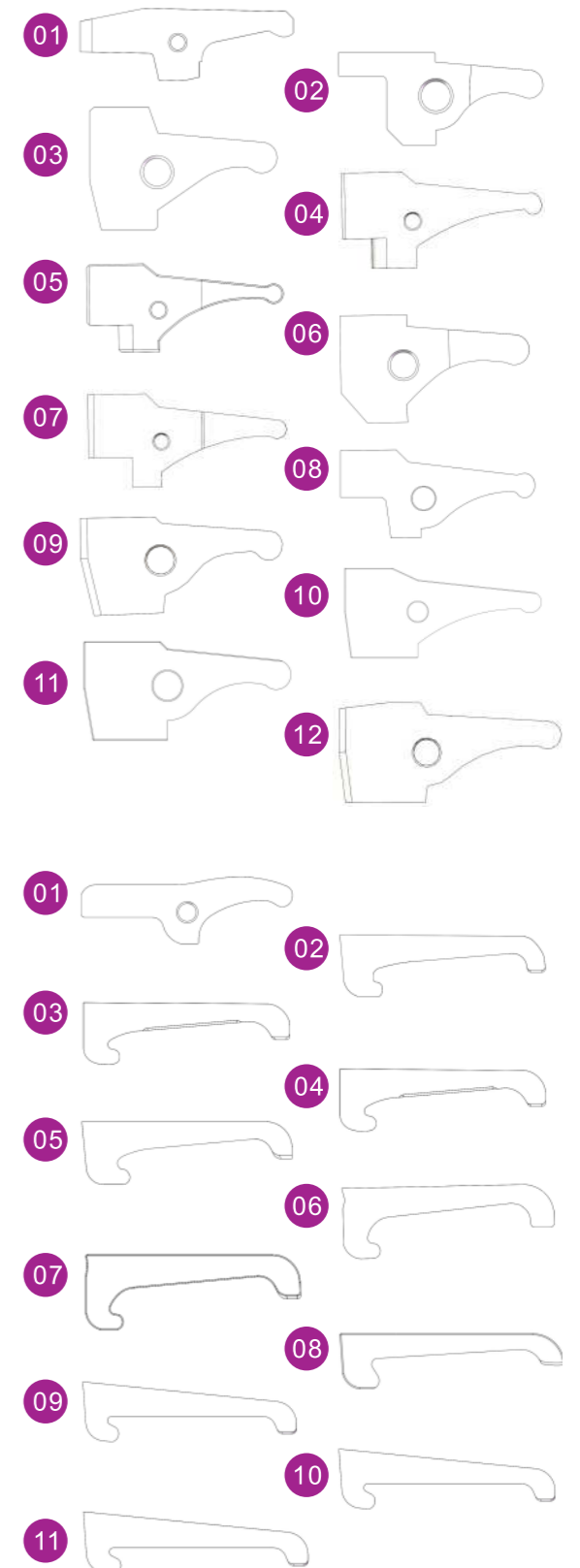
CNC電腦開閉爪 CNC Toggle

史達系列(STAR)

編號 Number	機型(Model)	長度(L)	高度(H)	厚度(T)	孔徑(Ø)
1	8#	53	17.1	6	4
2	10J	40	18	6	6
3	12#	39	25.6	8	6
4	RNC16(舊)	67.5	32	10	6
5	RNC16(新)(RNC16 New)	68	32	10	6
6	RNC16副軸(RNC16 B)	39	22	8	6
7	SB16#	68	31.5	10	6
8	20#	68	31	10	8
9	20#副軸	50	25.6	12	8
10	SR20R主軸	78	35.6	12	8
11	SR20R副軸	57	27	12	8
12	32#	67.3	29.9	12	8

津上系列(TSUGAMI)

編號 Number	機型(Model)	長度(L)	高度(H)	厚度(T)	孔徑(Ø)
1	T7	59	18	7	5
2	BO12	57	17	8	
3	NP17	57	17	12	
4	BO18	57	17	12	
5	BO20	57	17	12	
6	BO205	57	19	12	
7	BO206	57	20	12	
8	S20背軸	57	14	8	
9	BO25	86	22	12	
10	BA26	86	22	12	
11	BO385	86	22	12	



A 無動力刀座
Live tools for CNC lathes
& Fixed knife holder

B 車床筒夾
Headstock collets

C 車床導套
Guide bushes for lathes

D 開閉爪
Toggle

E 送料機零件
Automatic bar feeder parts

F CNC車床零件
CNC lathe parts

G 車床零件
Automatic lathe parts

H CNC車床鑽孔軸
CNC Extension rod

I 攻牙筒夾(SK筒夾)
ER Collet/Waterstop collet/
Tapping collet/SK collet

J 切削刀具G系列
Cutting Tool G Series

K 切削刀具J系列
Cutting Tool J Series

L 鎢鋼鑽頭定點鑽
Carbide drill bit/
Carbide spot drill

A 無動力刀座
Live tools for CNC lathes
& Fixed knife holder

B 車床筒夾
Headstock collets

C 車床導套
Guide bushes for lathes

D 開閉爪
Toggle

E 送料機零件
Automatic bar feeder parts

F CNC車床零件
CNC lathe parts

G 車床零件
Automatic lathe parts

H CNC車床鑽孔軸
CNC Extension rod

I 攻牙筒夾(SK筒夾)
ER Collet/Waterstop collet/
Tapping collet/SK collet

J 切削刀具G系列
Cutting Tool G Series

K 切削刀具J系列
Cutting Tool J Series

L 鎢鋼鑽頭定點鑽
Carbide drill bit/
Carbide spot drill

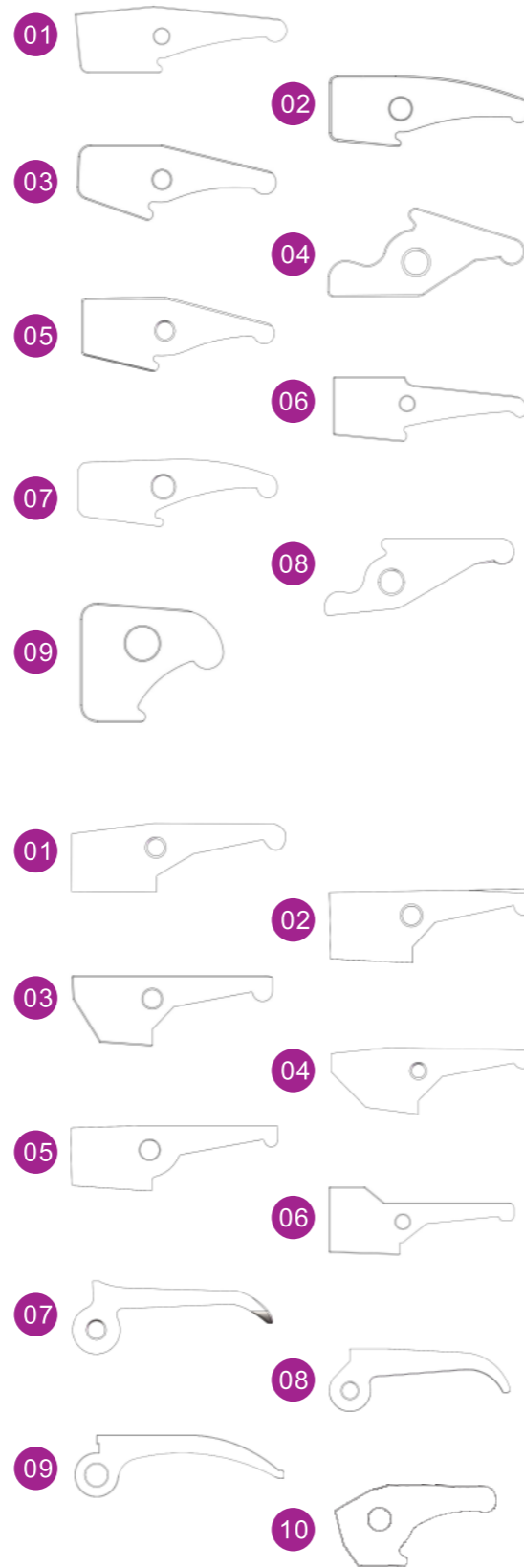
CNC電腦開閉爪 CNC Toggle

星辰(西鐵城)系列(CITIZEN)

編號 Number	機型(Model)	長度(L)	高度(H)	厚度(T)	孔徑(Ø)
1	B12	54	17.2	6	4
2	B12#副軸(舊)(B12# B)	36.3	12.8	4	4
3	B12#副軸(新)(B12# B)	45	17	6	4
4	BL12	41	23	8	6
5	16#	55	21	8	6
6	16#副軸(16# B)	54	18	6	4
7	20#	73	24.4	10	8
8	BL20	51	20	8	6
9	BL20副軸(BL20 B)	25.5	21.4	8	6

野村系列(NOMURA)

編號 Number	機型(Model)	長度(L)	高度(H)	厚度(T)	孔徑(Ø)
1	8#	50.5	16	6	4
2	10#	50.3	17.4	7	4.5
3	10T	50.3	17.4	7	4.5
4	10S	53	17	7	4.5
5	P16	64.6	20.3	8	6
6	NN16	58.6	21.3	7	4.5
7	NN20	69.5	24	8	6
8	NN20J	70	25	8	6
9	25#	96	28.7	14	10
10	38#	58	27.8	12	8



TOP料夾 TOP Finger chuck



產品代號 Product code	型號 Model	內孔尺寸 ID	外徑 OD	長度 L	PIN	編號 Numbering
FT01	32#	4.0~28.0	32	80	8	1
FT02	35#	0.8~4.0	35	80	8	1
FT03	42#	31.5~38.0	42	80	8	2
FT04	45#	38.5~41.0	45	80	8	2
FT05	50#	41.5~46.0	50	80	8	2
FT06	52#	47.0~48.0	52	80	8	2
FT07	55#	49.0~51.0	55	80	8	2
FT08	60#	52.0~56.0	60	80	8	2
FT09	65#	57.0~60.0	65	80	8	2

A 無動力刀座
Live tools for CNC lathes & Fixed knife holder

B 車床筒夾
Headstock collets

C 車床導套
Guide bushes for lathes

D 開閉爪
Toggle

E 送料機零件
自動棒材
Automatic bar feeder parts

F CNC車床零件
CNC Lathe parts

G 車床零件
各種機自動
Automatic lathe parts

H CNC車床鑽孔軸
CNC Extension rod

I 攻牙筒夾/SK筒夾
ER筒夾/止水筒夾
ER Collet/Waterstop collet/
Tapping collet/SK collet

J 切削刀具G系列
Cutting Tool G Series

K 切削刀具J系列
Cutting Tool J Series

L 鎢鋼鑽頭/定點鑽
Carbide drill bit/
Carbide spot drill

A 無動力刀座
Live tools for CNC lathes & Fixed knife holder

B 車床筒夾
Headstock collets

C 車床導套
Guide bushes for lathes

D 開閉爪
Toggle

E 送料機零件
自動棒材
Automatic bar feeder parts

F CNC車床零件
CNC Lathe parts

G 車床零件
各種機自動
Automatic lathe parts

H CNC車床鑽孔軸
CNC Extension rod

I 攻牙筒夾/SK筒夾
ER筒夾/止水筒夾
ER Collet/Waterstop collet/
Tapping collet/SK collet

J 切削刀具G系列
Cutting Tool G Series

K 切削刀具J系列
Cutting Tool J Series

L 鎢鋼鑽頭/定點鑽
Carbide drill bit/
Carbide spot drill

艾恩司送料夾 LNS Finger chuck



產品代號 Product code	型號 Model	內孔尺寸 ID	外徑 OD	長度 L	牙規 Tooth gaugeL	編號 Numberingr
FL01	4#	0.8~4.1	5	98	M4P0.7	1
FL02	4-7#	0.8~4.0	7	98	M4P0.7	2
FL02	4-7#	4.1~6.0	7	98	M4P0.7	2
FL02	4-7#	2.0~5.5	7	98	M4P0.7	2
FL03	4#	0.8~4.0	5	28	M4P0.7	3
FL04	4-7#	1.5~6.0	7	28	M4P0.7	4
FL04	7#	1.3~6.0	7	50	M4P0.7	5
FL05	7#	1.3~6.5	8	50	M4P0.7	5
FL05	7#	6.6~7.0	9	50	M4P0.7	5
FL06	8.5#	1.5~7.8	9.5	45	M5P0.8	6
FL06	8.5#	7.9~8.5	10	45	M5P0.8	6
FL07	8.5#	3.0~10.5	12	45	M5P0.8	7
FL08	8.5#	10.8~11.0	13	45	M5P0.8	8
FL08	8.5#	11.5~12.0	14	45	M5P0.8	8
FL08	8.5#	12.5~13.0	15	45	M5P0.8	8
FL09	8.5#	13.5	15.5	45	M5P0.8	8
FL10	20#	2.0~13.0	15	60	M9P1.0	9
FL10	20#	11.5~15.1	18	60	M9P1.0	10
FL10	20#	15.2~16.0	19	60	M9P1.0	10
FL10	20#	16.5~18.0	20	60	M9P1.0	10
FL10	20#	18.5~19.0	22	60	M9P1.0	11
FL11	20#	19.5~21.0	24	60	M9P1.0	11
FL11	20#	21.5~22.0	25	60	M9P1.0	11
FL11	XT326	18.0~19.5	22	60	M9P1.0	12
FL11	XT326	20.0~21.0	23	60	M9P1.0	12
FL12	XT326	21.5~23.0	26	60	M9P1.0	12
FL13	XT326	24.0~26.0	28	60	M9P1.0	12
FL13-1	XT326	26.5~28.0	30	60	M9P1.0	12
FL13-2	XT326	28.5~29.5	32	60	M9P1.0	12
FL14	SN20#	2.0~18.5	20	60	M10P1.0	13
FL14-1	SN23#	16.0~21.0	23	60	M10P1.0	14
FL15	SN25#	16.0~23.5	25	60	M10P1.0	14
FL16	SN27#	16.5~25.0	27	60	M10P1.0	14
FL17	SN32#	23.5~28.0	32	70	M17P1.0	15
FL18	SN35#	28.5~33.0	35	80	M25P1.5	16
FL19	SN37#	31.0~35.0	37	80	M25P1.5	17
FL20	SN38#	30.0~36.0	38	80	M25P1.5	17
FL21	SN42#	31.5~40.0	42	80	M25P1.5	17
FL22	SN45#	38.5~42.5	45	80	M25P1.5	17
FL23	SN51#	41.0~48.0	51	80	M25P1.5	18
FL22	32#	4.0~30.5	32	80	M25P1.5	15
FL23	40#	20.0~36.5	40	80	M25P1.5	17

艾恩司中軸套 LNS Revolving tip



產品代號 Product code	型號 Model	外徑 OD	長度 L	料夾端牙規 Tooth gaugeL	推桿端牙規 Push rod tooth gauge	編號 Numberingr
RL01	4#	5	77.1	M4P0.7	M4P0.7	1
RL02	4-7#	7	77.2	M4P0.7	M4P0.7	2
RL03	7#	7	65.3	M4P0.7	M6P0.75	3
RL04	7#	7	65.3	M4P0.7	M6*1.0	3
RL05	7#	8	65.3	M4P0.7	M6P0.75	3
RL06	7#	8	65.3	M4P0.7	M6*1.0	3
RL07	7#	8	61.5	M4P0.7	M6P0.75	4
RL08	7#	7	57.5	M4P0.7	M6P0.75	5
RL09	7.5#	7.5	57.5	M4P0.7	M6*1.0	5
RL10	7#	8	57.5	M4P0.7	M6P0.75	5
RL11	8.5#	9.5	63.5	M5P0.8	M7P0.75	6
RL12	8.5#	9.5	66.3	M5P0.8	M7P0.75	6
RL13	8.5#	10	59.5	M5P0.8	M7P0.75	7
RL14	8.5#	10	61.1	M5P0.8	M7P0.75	7
RL15	8.5#	9	64.5	M5P0.8	M7P0.75	8
RL16	8.5#	10	64.5	M5P0.8	M7P0.75	8
RL17	12#	12	64.5	M5P0.8	M7P0.75	9
RL18	12#	12	64.5	M5P0.8	M8P1.0	9
RL19	20#	15	92.2	M9P1.0	M12P1.0	10
RL20	20#	15	92.2	M9P1.0	M12P1.0	11
RL21	20#	15	92.2	M9P1.0	M12P1.25	12
RL22	20#	20	92.2	M9P1.0	M12P1.25	13
RL23	25#	25	92.2	M9P1.0	M12P1.25	14
RL24	20#	20.5	207.5	M10P1.0	PIN=4.0mm	15
RL25	20#	20.5	193.5	M10P1.0	M12P1.25	
RL26	22#	22.5	207.5	M10P1.0	PIN=4.0mm	15
RL27	23#	22.5	207.5	M10P1.0	PIN=4.0mm	15
RL28	23#	22.5	193.5	M10P1.0	M12P1.25	
RL29	25#	25.5	207.5	M10P1.0	PIN=5.0mm	16
RL30	25#	25.5	193.5	M10P1.0	M16P1.5	
RL31	27#	27.5	207.5	M10P1.0	PIN=5.0mm	16
RL32	27#	27.5	193.5	M10P1.0	M16P1.5	
RL33	32#	32.5	165.0	M25P1.5	PIN=5.0mm	17
RL34	32#	32.5	165.0	M25P1.5	M27	18
RL35	35#	35.5	165.0	M25P1.5	PIN=6.0mm	17
RL36	35#	35.5	165.0	M25P1.5	M29	18
RL37	37#	37.5	165.0	M25P1.5	PIN=6.0mm	17
RL38	37#	37.5	165.0	M25P1.5	M29	18
RL39	38#	38.5	165.0	M25P1.5	PIN=6.0mm	17
RL40	38#	38.5	165.0	M25P1.5	M29	18
RL41	42#	41.5	165.0	M25P1.5	PIN=6.0mm	19
RL42	42#	41.5	165.0	M25P1.5	M34	20
RL43	45#	45.5	165.0	M25P1.5	PIN=6.0mm	19
RL44	45#	45.5	165.0	M25P1.5	M38	20
RL45	51#	51.5	165.0	M25P1.5	PIN=6.0mm	21
RL46	51#	51.5	165.0	M25P1.5	M42	22

無動力刀座
Live tools for CNC lathes
& Fixed knife holder

車床筒夾
Headstock collets

車床導套
Guide bushes for lathes

開閉爪
Toggle

送料機零件
Automatic bar feeder parts

CNC車床零件
CNC Lathe parts

車床零件
Automatic lathe parts

CNC車床鑽孔軸
CNC Extension rod

攻牙筒夾/SK筒夾
ER筒夾/止水筒夾
ER Collet/Waterstop collet/
Tapping collet / SK collet

切削刀具G系列
Cutting Tool G Series

切削刀具J系列
Cutting Tool J Series

鎢鋼鑽頭/定點鑽
Carbide drill bit/
Carbide spot drill

無動力刀座
Live tools for CNC lathes
& Fixed knife holder

車床筒夾
Headstock collets

車床導套
Guide bushes for lathes

開閉爪
Toggle

送料機零件
Automatic bar feeder parts

CNC車床零件
CNC Lathe parts

車床零件
Automatic lathe parts

CNC車床鑽孔軸
CNC Extension rod

攻牙筒夾/SK筒夾
ER筒夾/止水筒夾
ER Collet/Waterstop collet/
Tapping collet / SK collet

切削刀具G系列
Cutting Tool G Series

切削刀具J系列
Cutting Tool J Series

鎢鋼鑽頭/定點鑽
Carbide drill bit/
Carbide spot drill

艾恩司零件 LNS Parts



中義送料夾 GIMCO (IEMCA) Finger chuck



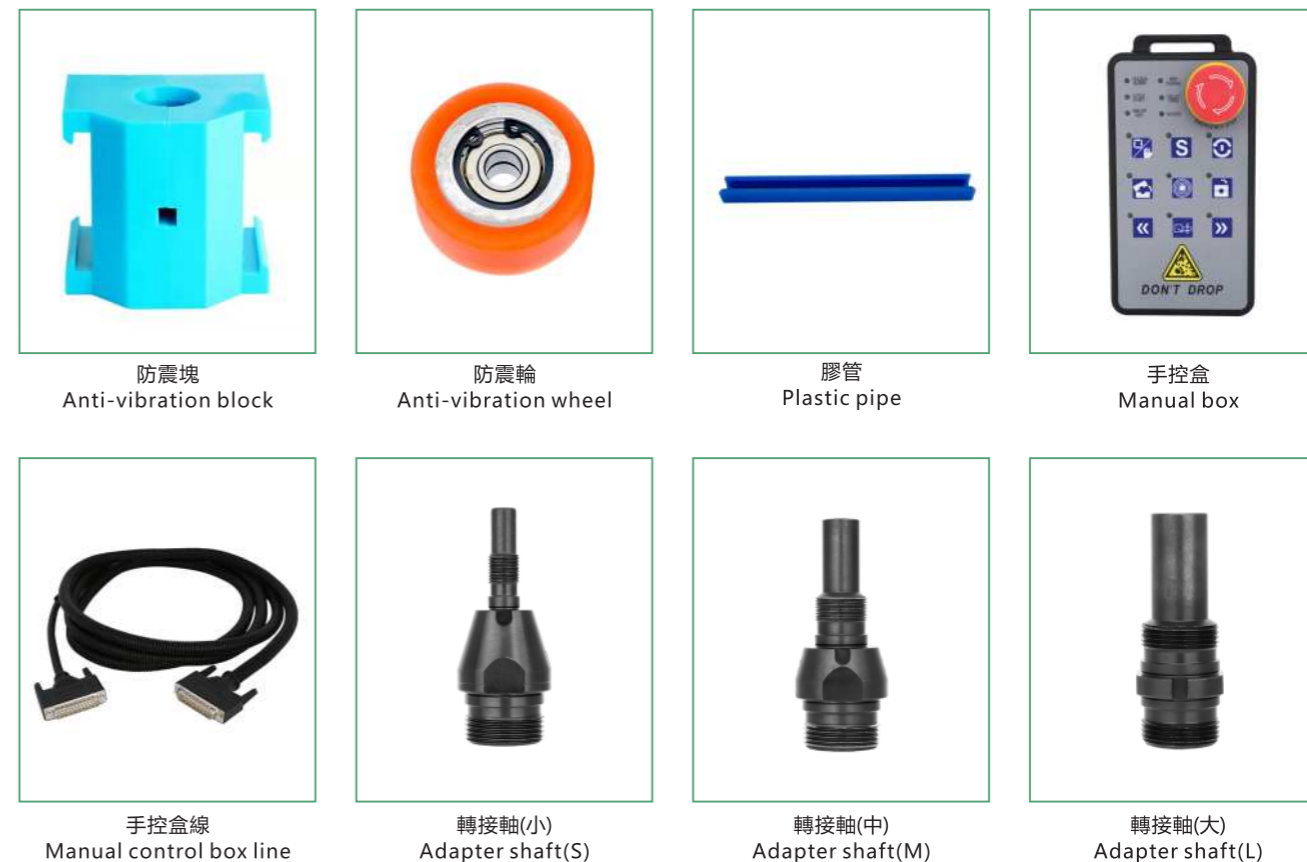
產品代號 Product code	型號 Model	內孔尺寸 ID	外徑 OD	長度 L	牙規 Tooth gaugeL	圖號 Drawing number
FIG01	4#	0.8~4.0	5	98	M4P0.7	1
FIG02	5#	2.0~4.0	5	37	M4P0.5	2
FIG03	4-7#	0.8~4.0	7	98	M4P0.7	3
FIG04	4-7#	4.1~6.0	7	98	M4P0.7	3
FIG05	4-7#	2.0~5.5	7	98	M4P0.7	3
FIG06	7.5#	2.0~6.0	7.5	40	M5P0.8	4
FIG07	10#	1.5~8.5	10	42	M6P0.75	5
FIG08	12#	1.5~10.5	12	42	M7P0.75	6
FIG08	12#	11	13	42	M7P0.75	6
FIG09	15#	2.0~13.0	15	42	M8P1.0	7
FIG10	16#	12.0~14.0	16	42	M8P1.0	7
FIG11	20#	2.0~18.5	20	60	M10P1.0	8
FIG12	23#	14.0~21.5	23	60	M10P1.0	9
FIG13	25#	16.5~23.5	25	60	M10P1.0	10
FIG14	27#	16.5~25.5	27	60	M10P1.0	9
FIG15	32#	4.0~30.5	32	80	M25P1.5	11
FIG16	35#	28.5~33.0	35	80	M25P1.5	12
FIG17	37#	30.0~35.0	37	80	M25P1.5	13
FIG18	38#	30.0~36.0	38	80	M25P1.5	13
FIG19	40#	20.0~37.0	40	80	M25P1.5	13
FIG20	42#	31.5~40.0	42	80	M25P1.5	13
FIG21	45#	38.5~42.2	45	80	M25P1.5	13
FIG22	51#	42.5~48.0	51	80	M25P1.5	14

中義中軸套 GIMCO(IEMCA) Revolving tip



產品代號 Product code	型號 Model	外徑 OD	全長 L	料夾端牙規 Tooth gauge	推桿端牙規 Push rod tooth gauge	圖號 Drawing number
RG01	7.5#	7.5	151	M5P0.5	M6P0.75	1
RG02	10#	10.5	137.5	M6P0.75	M8P1.0	2
RG03	10#	10.5	167	M6P0.75	PIN=3.0	3
RG04	12#	12.5	173	M7P0.75	PIN=3.0	4
RG05	15#	15.5	195	M8P1.0	PIN=4.0	5
RG06	16#	16.5	195	M8P1.0	PIN=4.0	5
RG07	18#	18.5	195	M8P1.0	PIN=4.0	5
RG08	19#	19.5	195	M8P1.0	PIN=4.0	5
RG09	20#	20.5	207.5	M10P1.0	PIN=4.0	6
RG10	22#	22.5	207.5	M10P1.0	PIN=4.0	6
RG11	23#	23.5	207.5	M10P1.0	PIN=4.0	6
RG12	25#	25.5	207.5	M10P1.0	PIN=5.0	7
RG13	27#	27.5	207.5	M10P1.0	PIN=5.0	7
RG14	30#	30.5	165	M25P1.5	PIN=5.0	8
RG15	32#	32.5	165	M25P1.5	PIN=5.0	8
RG16	35#	35.5	165	M25P1.5	PIN=5.0	9
RG17	37#	37.5	165	M25P1.5	PIN=5.0	9
RG18	38#	38.5	165	M25P1.5	PIN=5.0	9
RG19	40#	40.5	165	M25P1.5	PIN=6.0	10
RG20	42#	42.5	165	M25P1.5	PIN=6.0	10
RG21	45#	45.5	165	M25P1.5	PIN=6.0	10
RG22	51#	51.5	165	M25P1.5	PIN=6.0	11
RG23	51#	51.5	221	M25P1.5	PIN=6.0	12

中義零件 GIMCO (IEMCA) Parts



防震塊
Anti-vibration block

防震輪
Anti-vibration wheel

膠管
Plastic pipe

手控盒
Manual box

手控盒線
Manual control box line

轉接軸(小)
Adapter shaft(S)

轉接軸(中)
Adapter shaft(M)

轉接軸(大)
Adapter shaft(L)

育良送料夾 IKURA Finger chuck



產品代號 Product code	型號 Model	內孔尺寸 ID	外徑 OD	長度 L	牙規 Tooth gaugeL	編號 Numberingr
FI01	4#	0.8~4.0	5	98	M4P0.7	1
FI02	4#	0.8~4.0	5	28	M4P0.7	2
FI03	7#	1.5~6.0	7	40	M6P1.0	3
FI04	8#	1.5~6.5	8	40	M6P1.0	3
FI05	10#	1.5~8.5	10	40	M6P1.0	4
FI06	12#	3~10.5	12	40	M6P1.0	5
FI07	15#	3~13.0	15	55		6
FI08	20#	3~18.0	20	55		7
FI09	25#	5~23.0	25	76		8
FI10	32#	5~28.0	32	76		9

育良中軸套 IKURA Revolving tip



產品代號 Product code	型號 Model	外徑 OD	長度 L	料夾端牙規 Tooth gaugeL	推桿端牙規 Push rod tooth gauge	編號 Numberingr
RI01	4#	5	77.1	M4P0.7	M4P0.7	1
RI02	7#	7	67.5	M6P1.0	M6P1.0	2
RI03	8#	8	67.5	M6P1.0	M6P1.0	2
RI04	10#	10	67.5	M6P1.0	M6P1.0	3
RI05	12#	12	67.5	M6P1.0	M6P1.0	4
RI06	15#	15	119.5	PIN=6.0	M12P1.25	5
RI07	16#	16.3	119.5	PIN=6.0	M12P1.25	6
RI08	17#	17	119.5	PIN=6.0	M12P1.25	6
RI09	19#	19	119.5	PIN=6.0	M12P1.25	6
RI10	20#	20	119.5	PIN=6.0	M12P1.25	6
RI11	21#	20.5	119.5	PIN=6.0	M12P1.25	6
RI12	22#	21	119.5	PIN=6.0	M12P1.25	6
RI13	25#	25	160.3	PIN=8.0	M20P1.5	7
RI14	32#	32	160.3	PIN=8.0	M20P1.5	8

錯羅送料夾 PRO Finger chuck



產品代號 Product code	型號 Model	內孔尺寸 ID	外徑 OD	長度 L	牙規 Tooth gaugeL	圖號 Drawing number
FP01	4#	0.8~4	5	98	M4P0.7	1
FP02	4-7#	0.8~4	7	98	M4P0.7	2
FP03	4-7#	4.1~6	7	98	M4P0.7	2
FP04	4-7#	2~5.5	7	98	M4P0.7	2
FP05	10#	1.5~8.5	10	42	M6P0.75	3
FP06	12#	1.5~10.5	12	42	M7P0.75	4
FP07	15#	2~13	15	42	M8P1.0	5
FP08	16#	12~14	16	42	M8P1.0	5
FP09	16#	3~13	15	60	M12P1.0	6
FP10	16#	12~14	16	60	M12P1.0	6
FP11	20#	3~18.5	20	60	M10P1.0	7
FP12	20#	3~18	20	60	M12P1.0	7
FP13	23#	16~21	23	60	M10P1.0	8
FP14	25#	16.5~23	25	60	M10P1.0	9
FP15	25#	5~19.5	23	80	M18P1.0	9
FP16	25#	20~23	25	80	M18P1.0	10
FP17	27#	16.5~25.5	27	60	M10P1.0	9
FP18	32#	4~30	32	80	M25P1.5	11
FP19	35#	28.5~32	35	80	M25P1.5	12
FP20	37#	31~34	37	80	M25P1.5	13
FP21	38#	31~35	38	80	M25P1.5	13
FP22	40#	21~36.5	40	80	M25P1.5	13
FP23	42#	31.5~40	42	80	M25P1.5	13
FP24	45#	38.5~42.2	45	80	M25P1.5	13
FP25	51#	42.5~48	51	80	M25P1.5	14

錯羅中軸套 PRO Revolving tip



產品代號 Product code	型號 Model	外徑 OD	長度 L	料夾端牙規 Tooth gaugeL	推桿端牙規 Push rod tooth gauge	編號 Numbering
RP01	10#	10.5	167	M6P0.75	PIN=3.0	1
RP02	12#	12.5	173	M7P0.75	PIN=3.0	2
RP03	12#	12	113.5	M7P0.75	M7P0.75	3
RP04	15#	15.5	195	M8P1.0	PIN=4.0	4
RP05	16#	16.5	195	M8P1.0	PIN=4.0	4
RP06	16#	16	147	M12P1.0	M10P1.0	5
RP07	18#	18.5	195	M8P1.0	PIN=4.0	4
RP08	19#	19.5	195	M8P1.0	PIN=4.0	4
RP09	20#	20.5	207.5	M10P1.0	PIN=4.0	6
RP10	22#	22.5	207.5	M10P1.0	PIN=4.0	6
RP11	23#	23.5	207.5	M10P1.0	PIN=4.0	6
RP12	20#	20	145	M12P1.0	M10P1.0	7
RP13	25#	25.5	207.5	M10P1.0	PIN=5.0	8
RP14	27#	27.5	207.5	M10P1.0	PIN=5.0	8
RP15	25#	26	145	M18P1.0	M14P1.0	9
RP16	30#	30.5	165	M25P1.5	PIN=5.0	10
RP17	32#	32.5	165	M25P1.5	PIN=5.0	10
RP18	35#	35.5	165	M25P1.5	PIN=5.0	11
RP19	37#	37.5	165	M25P1.5	PIN=5.0	11
RP20	38#	38.5	165	M25P1.5	PIN=5.0	11
RP21	40#	40.5	165	M25P1.5	PIN=6.0	12
RP22	42#	42.5	165	M25P1.5	PIN=6.0	12
RP23	45#	45.5	165	M25P1.5	PIN=6.0	12
RP24	51#	51.5	165	M25P1.5	PIN=6.0	13

錯羅零件 PRO Parts



手控盒
Manual box

轉接軸(小)
Adapter shaft(S)

轉接軸(中)
Adapter shaft(M)

轉接軸(大)
Adapter shaft(L)

轉接軸(快拆型)
Adapter shaft
(quick release type)

防震塊
Anti-vibration block

富豪零件 BARLOAD Parts



轉接軸(小)
Adapter shaft(S)

轉接軸(中)
Adapter shaft(M)

轉接軸(大)
Adapter shaft(L)

ALPS料夾 ALPS Finger chuck



產品代號 Product code	型號 Model	內孔尺寸 ID	外徑 OD	長度 L	牙規 Tooth gaugeL	編號 Numberingr
FA01	20#	3~12.7	15	75	M10P1.0	1
FA02	20#	13~15	18	75	M10P1.0	2
FA02	20#	15.5~16	19	75	M10P1.0	2
FA02	20#	16.5~18	20	75	M10P1.0	2
FA03	32#(P)	8~18	24	110		3
FA03	32#(P)	18.5~19	26	110		3
FA04	32#(P)	19.5~26.5	32	110		4
FA04	32#(P)	27~29.5	35	110		4
FA04	32#(P)	30~33	38	110		4
FA04	32#(P)	33.5~36	42	110		4

ALPS中軸套 ALPS Revolving tip



產品代號 Product code	型號 Model	外徑 OD	長度 L	料夾端牙規 Tooth gaugeL	推桿端牙規 Push rod tooth gauge	編號 Numberingr
RA01	12#	12	82.2	M6P1.0	M8	1
RA02	16#	16	70.1	M10P1.0	M14P1.0	2
RA03	20#	20	72.2	M10P1.0	M16P1.0	3
RA04	26#	26	81.1	M22P1.0	PIN=4	4

富豪送料夾 BARLOAD Finger chuck



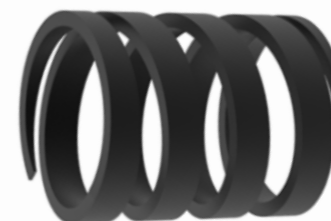
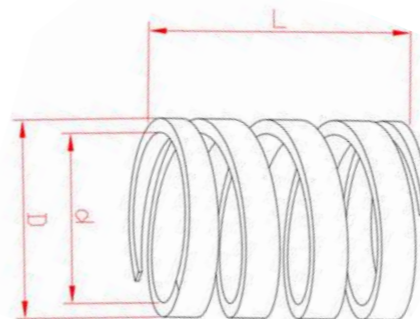
產品代號 Product code	型號 Model	內孔尺寸 ID	外徑 OD	長度 L	牙規 Tooth gaugeL	編號 Numberingr
FB01	4#	0.8~4.1	5	98	M4P0.7	1
FB02	4-7#	0.8~4.0		98	M4P0.7	2
FB02	4-7#	4.1~6.0	7	98	M4P0.7	2
FB03	4#	0.8~4.0	5	28	M4P0.7	3
FB04	4-7#	1.5~6.0	7	28	M4P0.7	4
FB05	7#	1.3~6.0	7	50	M4P0.7	5
FB05	7#	1.3~6.5	8	50	M4P0.7	5
FB05	7#	6.6~7.0	9	50	M4P0.7	5
FB06	8.5#	1.5~7.8	9.5	45	M5P0.8	6
FB06	8.5#	7.9~8.5	10	45	M5P0.8	6
FB07	8.5#	3.0~10.5	12	45	M5P0.8	7
FB08	8.5#	10.8~11.0	13	45	M5P0.8	8
FB08	8.5#	11.5~12.0	14	45	M5P0.8	8
FB08	8.5#	12.5~13.0	15	45	M5P0.8	8
FB08	8.5#	13.5	15.5	45	M5P0.8	8
FB09	20#	2.0~13.0	15	60	M9P1.0	9
FB10	20#	11.5~15.1	18	60	M9P1.0	10
FB10	20#	15.2~16.0	19	60	M9P1.0	10
FB10	20#	16.5~18.0	20	60	M9P1.0	10
FB11	20#	18.5~19.0	22	60	M9P1.0	11
FB11	20#	19.5~21.0	24	60	M9P1.0	11
FB11	20#	21.5~22.0	25	60	M9P1.0	11
FB12	XT326	18.0~19.5	22	60	M9P1.0	12
FB12	XT326	20.0~21.0	23	60	M9P1.0	12
FB12	XT326	21.5~23.0	26	60	M9P1.0	12
FB12	XT326	24.0~26.0	28	60	M9P1.0	12
FB13-1	XT326	26.5~28.0	30	60	M9P1.0	12
FB13-2	XT326	28.5~29.5	32	60	M9P1.0	12
FB13	SN20#	2.0~18.5	20	60	M10P1.0	13
FB13-1	SN23#	16.0~21.0	23	60	M10P1.0	14
FB14	SN25#	16.5~23.5	25	60	M10P1.0	14
FB15	SN27#	16.5~25.0	27	60	M10P1.0	14
FB16	SN32#	23.5~28.0	32	70	M17P1.0	15
FB17	SN35#	28.5~33.0	35	80	M25P1.5	16
FB18	SN37#	31.0~35.0	37	80	M25P1.5	17
FB19	SN38#	30.0~36.0	38	80	M25P1.5	17
FB20	SN42#	31.5~40.0	42	80	M25P1.5	17
FB21	SN45#	38.5~42.5	45	80	M25P1.5	17
FB22	SN51#	41.0~48.0	51	80	M25P1.5	18
FB23	32#	4.0~30.5	32	80	M25P1.5	15
FB24	40#	20.0~36.5	40	80	M25P1.5	17

富豪中軸套 BARLOAD Revolving tip



產品代號 Product code	型號 Model	外徑 OD	長度 L	料夾端牙規 Tooth gauge L	推桿端牙規 Push rod tooth gauge	編號 Numbering
RB01	4#	5	77.1	M4P0.7	M4P0.7	1
RB02	4-7#	7	77.2	M4P0.7	M4P0.7	2
RB03	7#	7	65.3	M4P0.7	M6P0.75	3
RB04	7#	7	65.3	M4P0.7	M6*1.0	3
RB05	7#	8	65.3	M4P0.7	M6P0.75	3
RB06	7#	8	65.3	M4P0.7	M6*1.0	3
RB07	7#	8	61.5	M4P0.7	M6P0.75	4
RB08	7#	7	57.5	M4P0.7	M6P0.75	5
RB09	7.5#	7.5	57.5	M4P0.7	M6*1.0	5
RB10	7#	8	57.5	M4P0.7	M6P0.75	5
RB11	8.5#	9.5	63.5	M5P0.8	M7P0.75	6
RB12	8.5#	9.5	66.3	M5P0.8	M7P0.75	6
RB13	8.5#	10	59.5	M5P0.8	M7P0.75	7
RB14	8.5#	10	61.1	M5P0.8	M7P0.75	7
RB15	8.5#	9	64.5	M5P0.8	M7P0.75	8
RB16	8.5#	10	64.5	M5P0.8	M7P0.75	8
RB17	12#	12	64.5	M5P0.8	M7P0.75	9
RB18	12#	12	64.5	M5P0.8	M8P1.0	9
RB19	15#	15.5	182.5	M9P1.0	PIN=4.0mm	10
RB20	20#	20.5	207.5	M10P1.0	PIN=4.0mm	11
RB21	25#	25.5	207.5	M10P1.0	PIN=5.0mm	12
RB22	32#	32.5	165.0	M25P1.5	PIN=5.0mm	13

CNC彈簧 Spring



產品代號 Product code	最大外徑(D)	內孔直徑(d)	全長(L)
SP-01	36.8	33	72.5
SP-02	32.6	29	62
SP-03	36.8	33.6	75
SP-04	25.9	21	31
SP-05	29.9	26.2	52
SP-06	25.7	22	46
SP-07	32.5	28.8	32
SP-08	36.6	32.6	58
SP-09	32.8	28.7	32
SP-10	27.9	23.9	35
SP-11	32.5	28.5	35
SP-12	27.5	23.9	35
SP-13	27.9	24	34
SP-14	19.9	16.4	35
SP-15	23.6	19	30
SP-16	36.8	33	45
SP-17	36.8	33.5	70
SP-18	15.9	13.5	32.5
SP-19	15.8	13.5	30.7
SP-20	19.6	17	30
SP-21	19.6	17	26
SP-22	36.8	33.6	66

A 無動力刀座
Live tools for CNC lathes
& Fixed knife holder

B 車床筒夾
Headstock collets

C 車床導套
Guide bushes
for lathes

D 開閉爪
Toggle

E 送料機零件
Automatic bar
feeder parts

F CNC車床零件
CNC Lathe parts

G 車床零件
各種機自動
Automatic lathe
parts

H CNC車床鑽孔軸
CNC Extension rod

I 攻牙筒夾/SK筒夾
ER筒夾/止水筒夾
ER Collet/Waterstop collet/
Tapping collet/SK collet

J 切削刀具G系列
Cutting Tool G Series

K 切削刀具J系列
Cutting Tool J Series

L 鎢鋼鑽頭/定點鑽
Carbide drill bit/
Carbide spot drill

A 無動力刀座
Live tools for CNC lathes
& Fixed knife holder

B 車床筒夾
Headstock collets

C 車床導套
Guide bushes
for lathes

D 開閉爪
Toggle

E 送料機零件
Automatic bar
feeder parts

F CNC車床零件
CNC Lathe parts

G 車床零件
各種機自動
Automatic lathe
parts

H CNC車床鑽孔軸
CNC Extension rod

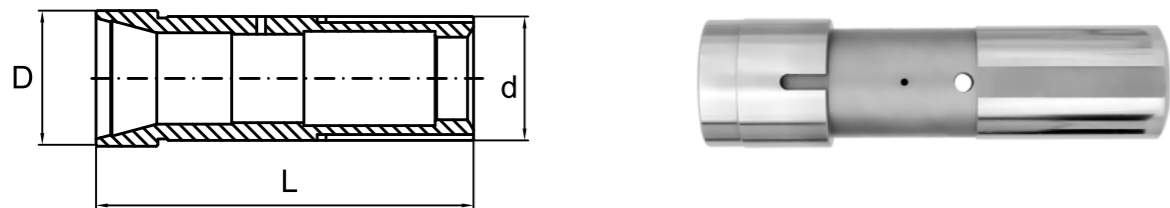
I 攻牙筒夾/SK筒夾
ER筒夾/止水筒夾
ER Collet/Waterstop collet/
Tapping collet/SK collet

J 切削刀具G系列
Cutting Tool G Series

K 切削刀具J系列
Cutting Tool J Series

L 鎢鋼鑽頭/定點鑽
Carbide drill bit/
Carbide spot drill

錐套 Cone sleeve



型號 Model	ØD	L	Ød
R04主軸錐套	14	66	
星辰B12主軸錐套	24.2	89	23
星辰B12背軸錐套	28.3	108.3	28
星辰A16主軸錐套	33	110	28
星辰L16主軸錐套	42	104	35
星辰A20主軸錐套	42	132	42
星辰A20背軸錐套	44	129	40
星辰A20錐套(L51620U920B-T)	41	126	35
星辰A20錐套(L51620U920Z-7K024-M)	41	103	35
星辰A20錐套(A320NU920Z-7A0012Z)	42	132	42
星辰A320NU930Z(L25)	46	128	41.8

型號 Model	ØD	L	Ød
T7主軸錐套	19	77.2	14
BO125主軸錐套	35	88	31
BO125副軸錐套	38	96.3	36
BO20主軸錐套	40	93	36
BO20副軸錐套	46	103	35
S20主軸錐套	42	104.4	35
BO325背軸錐套	47	135	44.8
BM16背軸錐套	38	106.5	28

型號 Model	ØD	L	Ød
STAR錐套	41.9	87	29
STAR cone sleeve	43.5	110	35

型號 Model	ØD	L	Ød
TORNOS錐套	23.8	85	18
Tornos cone sleeve	30	69	30
	54	122	45

CNC車床零件 CNC Lathe parts



變徑套
Change outer diameter sleeves



車床主軸芯
Lathe spindle



導套外襯套
Guide bushing outer bushing



訂製鋸片柄
Customized saw blade handle



動力軸心
Power axis



動力軸心
Power axis



防油蓋
Oil proof cover



滑套
sliding sleeve



津上出水壓刀塊
Tsugami water pressure knife block



鋸片柄
Saw blade handle



卡爪固定座
Claw holder



拉桿
Tie rod



螺帽
Nut



螺帽
Nut



筒夾適配器
Collet adapter



星辰出水壓刀塊
Citizen outlet water pressure knife block

A 無動力刀座
Live tools for CNC lathes & Fixed knife holder

B 車床筒夾
Headstock collets

C 車床導套
Guide bushes for lathes

D 開閉爪
Toggle

E 送料機零件
Automatic bar feeder parts

F CNC車床零件
CNC Lathe parts

G 車床零件
Automatic lathe parts

H CNC車床鑽孔軸
CNC Extension rod

I 攻牙筒夾/SK筒夾
ER Collet/Waterstop collet/Tapping collet/SK collet

J 切削刀具G系列
Cutting Tool G Series

K 切削刀具J系列
Cutting Tool J Series

L 錐鑽鑽頭定點鑽
Carbide spot drill

A 無動力刀座
Live tools for CNC lathes & Fixed knife holder

B 車床筒夾
Headstock collets

C 車床導套
Guide bushes for lathes

D 開閉爪
Toggle

E 送料機零件
Automatic bar feeder parts

F CNC車床零件
CNC Lathe parts

G 車床零件
Automatic lathe parts

H CNC車床鑽孔軸
CNC Extension rod

I 攻牙筒夾/SK筒夾
ER Collet/Waterstop collet/Tapping collet/SK collet

J 切削刀具G系列
Cutting Tool G Series

K 切削刀具J系列
Cutting Tool J Series

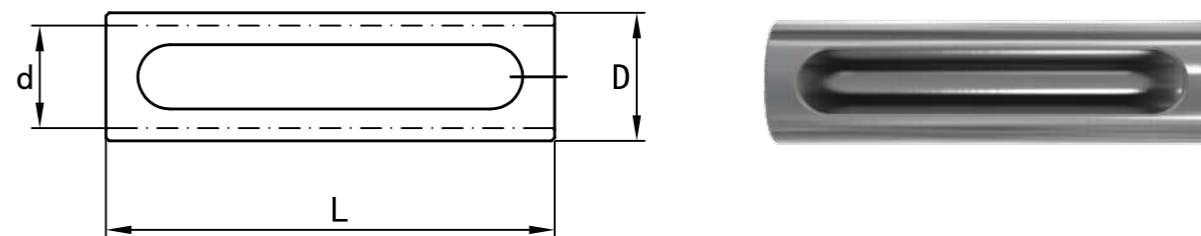
L 錐鑽鑽頭定點鑽
Carbide spot drill

螺帽 Nut



產品代號 Product code	外徑(D)	全長(L)	牙規 Tooth gauge	編號 Numbering
ER11A	19	12	M14P0.75	1
ER16A	27.8	19.7	M22P1.5	1
ER20A	33.8	20.7	M25P1.5	1
ER25A	42.2	21.1	M32P1.5	1
ER11M	15.8	11.95	M13P0.75	2
ER16M	21.9	18.45	M19P1.0	2
ER20M	27.9	19.9	M24P1.0	2
ER11M-A	19	13	M13P0.75	1
ER16M-A	24.65	19	M19P1.0	1
ER20M-A	28	23.2	M24P1.0	1

變徑套 Sleeve



產品代號 Product code	外徑(D)	內孔d	全長(L)
SLE01	19.05	16	50
SLE02	19.05	16	70
SLE03	20	16	50
SLE04	20	16	70
SLE05	22	12	50
SLE06	22	12.7	50
SLE07	22	16	50
SLE08	22	12	70
SLE09	22	16	70
SLE10	22	17	70
SLE11	22	19.05	70
SLE12	23	16	70
SLE13	23	17	70
SLE14	25	16	70
SLE15	25.4	16	70

A 無動力刀座
Live tools for CNC lathes
& Fixed knife holder

B 車床筒夾
Headstock collets

C 車床導套
Guide bushes
for lathes

D 開閉爪
Toggle

E 送料機零件
Automatic bar
feeder parts

F CNC車床零件
CNC Lathe parts

G 車床零件
Automatic lathe
parts

H CNC車床鑽孔軸
CNC Extension rod

I 攻牙筒夾/SK筒夾
ER筒夾/止水筒夾
ER Collet/Waterstop collet/
Tapping collet / SK collet

J 切削刀具G系列
Cutting Tool G Series

K 切削刀具J系列
Cutting Tool J Series

L 鎢鋼鑽頭/定點鑽
Carbide drill bit/
Carbide spot drill

A 無動力刀座
Live tools for CNC lathes
& Fixed knife holder

B 車床筒夾
Headstock collets

C 車床導套
Guide bushes
for lathes

D 開閉爪
Toggle

E 送料機零件
Automatic bar
feeder parts

F CNC車床零件
CNC Lathe parts

G 車床零件
Automatic lathe
parts

H CNC車床鑽孔軸
CNC Extension rod

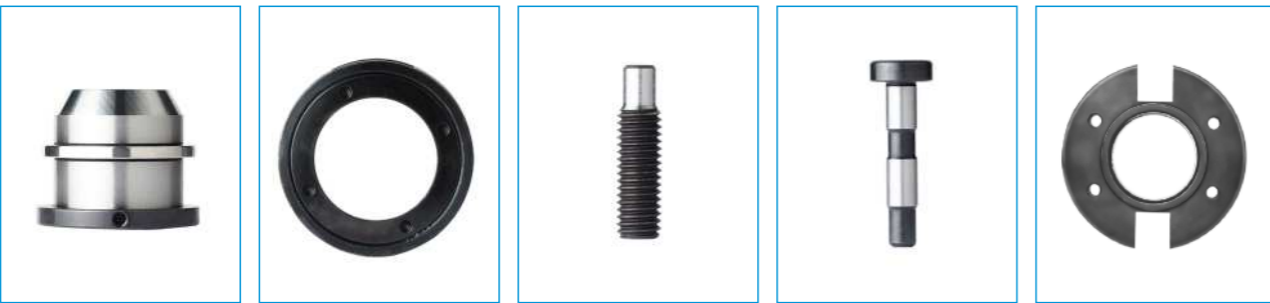
I 攻牙筒夾/SK筒夾
ER筒夾/止水筒夾
ER Collet/Waterstop collet/
Tapping collet / SK collet

J 切削刀具G系列
Cutting Tool G Series

K 切削刀具J系列
Cutting Tool J Series

L 鎢鋼鑽頭/定點鑽
Carbide drill bit/
Carbide spot drill

名陽機自動車床零件 MYLAS Machine automatic lathe parts



1017+1018滑輪(陀螺) Pulley (gyro) 1019+1020軸承殼螺帽 Bearing shell nut 1022固定螺絲 Fixing screws 1024離合銷 Clutch pin 1027離合座螺帽 Clutch seat nut



1028離合固定座 Clutch mount 1031固定銷 Fixed pin 2002鋼套 Steel sleeve 2003阻臂軸 Resistance arm shaft 2012固定螺絲 Fixing screws



2022b雙心軸銅套 Double mandrel copper sleeve 2022雙心座銅套 Double heart seat copper sleeve 2023b1鑽孔軸銅套 Drilling shaft copper sleeve 2023b鑽孔軸銅套 Drilling shaft copper sleeve 2023鑽孔軸銅套 Drilling shaft copper sleeve



2037下齒輪 Lower gear 2040中間齒輪 Intermediate gear 2042攻牙齒輪 Tapping tooth wheel 2047固定螺絲 Fixing screws 2057固定螺帽 Fixed nut

名陽機自動車床零件 MYLAS Machine automatic lathe parts



2058鑽孔軸螺帽 Drilling shaft nut 3002銅套 Copper sleeve 3006傳動齒輪 Transmission gear 3009離合齒輪 Clutch gear 3010傳動齒輪 Transmission gear



3011主動齒輪 Driving gear 3014調整螺絲 Adjusting screw 3016頂心 Top heart 3027離合齒輪 Clutch gear 3030離合支軸 Clutch fulcrum



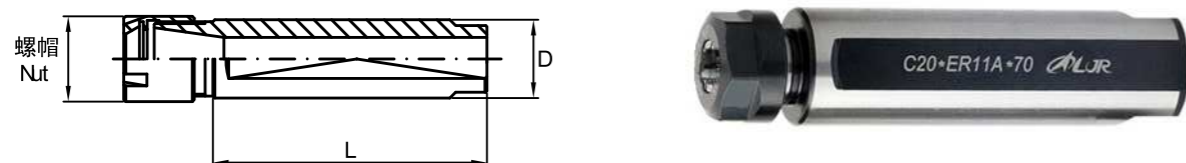
3032頂心 Top heart 3044 s型版 Type s 5017牽引塊固定螺絲 Traction block fixing screw 5019調整桿頂軸 Adjusting rod top shaft 5048傳動臂軸螺絲 Drive arm shaft screw



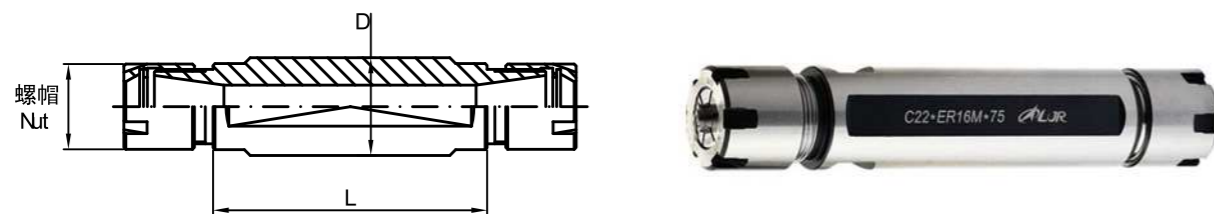
5069固定螺絲 Fixing screw 5075銅套 Steel sleeve 5076搖臂支軸 Rocker shaft 5077螺帽 Nut 6017固定螺絲 Fixing screws

鑽孔軸 CNC Extension rod

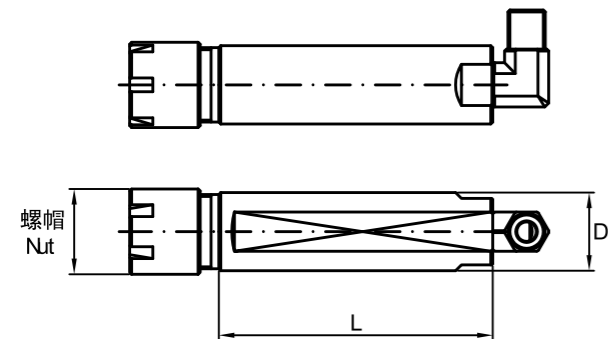
01 鑽孔軸單頭 Drilling shaft(single)



02 鑽孔軸雙頭 Drilling shaft(double)



03 鑽孔軸出水 Drilling shaft(out of water)



CNC鑽孔軸(單頭) CNC drilling shaft(single)	外徑 OD	長度 L	ER	螺帽 Nut	編號 Numberingr
C16-ER16M-100(單頭 single)	16	100	16	M	1
C19.05-ER11A-40(單頭 single)	19.05	40	11	A	1
C19.05-ER11A-50(單頭 single)	19.05	50	11	A	1
C19.05-ER11A-70(單頭 single)	19.05	70	11	A	1
C19.05-ER11M-75(單頭 single)	19.05	75	11	M	1
C19.05-ER16M-40(單頭 single)	19.05	40	16	M	1
C19.05-ER16M-70(單頭 single)	19.05	70	16	M	1
C19.05-ER16M-75(單頭 single)	19.05	75	16	M	1
C19.05-ER16M-105(單頭 single)	19.05	105	16	M	1
C20-ER11A-50(單頭 single)	20	50	11	A	1
C20-ER11A-70(單頭 single)	20	70	11	A	1
C20-ER11A-95(單頭 single)	20	95	11	A	1
C20-ER11A-100(單頭 single)	20	100	11	A	1
C20-ER16M-40(單頭 single)	20	40	16	M	1
C20-ER16M-50(單頭 single)	20	50	16	M	1
C20-ER16M-93(單頭 single)	20	93	16	M	1
C22-ER16M-60(單頭 single)	22	60	16	M	1
C22-ER16M-100(單頭 single)	22	100	16	M	1
C25-ER16M-70(單頭 single)	25	70	16	M	1
C25-ER16M-100(單頭 single)	25	100	16	M	1
C25-ER20A-55(單頭 single)	25	55	20	A	1
C25-ER20A-100(單頭 single)	25	100	20	A	1
C25-ER20M-50(單頭 single)	25	50	20	M	1
C25.4-ER11M-75(單頭 single)	25.4	75	11	M	1
C25.4-ER16M-50(單頭 single)	25.4	50	16	M	1
C25.4-ER16M-70(單頭 single)	25.4	70	16	M	1
C25.4-ER16M-75(單頭 single)	25.4	75	16	M	1
C25.4-ER16M-90(單頭 single)	25.4	90	16	M	1
C25.4-ER16M-105(單頭 single)	25.4	105	16	M	1
C25.4-ER20M-70(單頭 single)	25.4	70	20	M	1
C32-ER20M-95(單頭 single)	32	95	20	M	1

CNC鑽孔軸(雙頭) CNC drilling shaft(double)	外徑 OD	長度 L	ER	螺帽 Nut	編號 Numberingr
C19.05-ER11A-38-D(雙頭 double)	19.05	38	11	A	2
C19.05-ER11A-50-D(雙頭 double)	19.05	50	11	A	2
C19.05-ER11A-70-D(雙頭 double)	19.05	70	11	A	2
C19.05-ER11A-75-D(雙頭 double)	19.05	75	11	A	2
C19.05-ER11M-70-D(雙頭 double)	19.05	70	11	M	2
C19.05-ER11M-75-D(雙頭 double)	19.05	75	11	M	2
C20-ER11A-38-D(雙頭 double)	20	38	11	A	2
C20-ER11A-50-D(雙頭 double)	20	50	11	A	2
C20-ER11A-70-D(雙頭 double)	20	70	11	A	2
C20-ER16M-100-D(雙頭 double)	20	100	16	M	2
C22-ER16M-60-D(雙頭 double)	22	60	16	M	2
C22-ER16M-75-D(雙頭 double)	22	75	16	M	2
C22-ER16M-90-D(雙頭 double)	22	90	16	M	2
C22-ER16M-95-D(雙頭 double)	22	95	16	M	2
C25-ER16M-70-D(雙頭 double)	25	70	16	M	2
C25.4-ER16M-50-D(雙頭 double)	25.4	50	16	M	2
C25.4-ER16M-70-D(雙頭 double)	25.4	70	16	M	2

CNC鑽孔軸(出水) CNC drilling shaft(out of water)	外徑 OD	長度 L	ER	螺帽 Nut	編號 Numberingr
C19.05-ER16M-70(單頭 single)P/T	19.05	70	16	M	
C25-ER16M-70(單頭 single)P/T	25	70	16	M	
C25-ER16M-100(單頭 single)P/T	25	100	16	M	
C25-ER20A-55(單頭 single)P/T	25	55	20	A	
C25-ER20A-100(單頭 single)P/T	25	100	20	A	
C25.4-ER16M-50(單頭 single)P/T	25.4	50	16	M	
C25.4-ER16M-100(單頭 single)P/T	25.4	100	16	M	

無動力刀座
Live tools for CNC lathes
& Fixed knife holder

車床筒夾
Headstock collets

車床導套
Guide bushes for lathes

開閉爪
Toggle

送料機零件
Automatic bar feeder parts

CNC車床零件
CNC lathe parts

車床零件
各種機自動
Automatic lathe parts

CNC車床鑽孔軸
CNC Extension rod

攻牙筒夾/SK筒夾
ER筒夾/止水筒夾
ER Collet/Waterstop collet/
Tapping collet / SK collet

切削刀具G系列
Cutting Tool G Series

切削刀具J系列
Cutting Tool J Series

鎢鋼鑽頭定點鑽
Carbide drill bit/
Carbide spot drill

無動力刀座
Live tools for CNC lathes
& Fixed knife holder

車床筒夾
Headstock collets

車床導套
Guide bushes for lathes

開閉爪
Toggle

送料機零件
Automatic bar feeder parts

CNC車床零件
CNC lathe parts

車床零件
各種機自動
Automatic lathe parts

CNC車床鑽孔軸
CNC Extension rod

攻牙筒夾/SK筒夾
ER筒夾/止水筒夾
ER Collet/Waterstop collet/
Tapping collet / SK collet

切削刀具G系列
Cutting Tool G Series

切削刀具J系列
Cutting Tool J Series

鎢鋼鑽頭定點鑽
Carbide drill bit/
Carbide spot drill

ER筒夾 ER Collet



ER8		ER11		ER16	
尺寸 Size	範圍 Range	尺寸 Size	範圍 Range	尺寸 Size	範圍 Range
1	0.5~1	1	0.5~1	1	0.5~1
1.5	1~1.5	1.5	1~1.5	1.5	1~1.5
2	1.5~2	2	1.5~2	2	1.5~2
2.5	2~2.5	2.5	2~2.5	2.5	2~2.5
3	2.5~3	3	2.5~3	3	2~3
3.175	2.675~3.175	3.175	2.675~3.175	3.175	2.675~3.175
3.5	3~3.5	3.5	3~3.5	3.5	2.5~3.5
4	3.5~4	4	3.5~4	4	3~4
4.5	4~4.5	4.5	4~4.5	4.5	3.5~4.5
5	4.5~5	5	4.5~5	5	4~5
		5.5	5~5.5	5.5	4.5~5.5
		6	5.5~6	6	5~6
		6.5	6~6.5	6.5	5.5~6.5
		7	6.5~7	7	6~7
				7.5	6.5~7.5
				8	7~8
				8.5	7.5~8.5
				9	8~9
				9.5	8.5~9.5
				10	9~10

ER20		ER25		ER32	
尺寸 Size	範圍 Range	尺寸 Size	範圍 Range	尺寸 Size	範圍 Range
1	0.5~1	1	0.5~1	1	0.5~1
1.5	1~1.5	1.5	1~1.5	1.5	1~1.5
2	1.5~2	2	1.5~2	2	1.5~2
2.5	2~2.5	2.5	2~2.5	2.5	2~2.5
3	2.5~3	3	2.5~3	3	2.5~3
3.175	2.675~3.175	3.175	2.675~3.175	3.175	2.675~3.175
3.5	3~3.5	3.5	3~3.5	3.5	3~3.5
4	3.5~4	4	3.5~4	4	3.5~4
4.5	4~4.5	4.5	4~4.5	4.5	4~4.5
5	4.5~5	5	4.5~5	5	4.5~5
5.5	5~5.5	5.5	5~5.5	5.5	5~5.5
6	5.5~6	6	5.5~6	6	5.5~6
6.5	6~6.5	6.5	6~6.5	6.5	6~6.5
7	6.5~7	7	6.5~7	7	6.5~7
7.5	6.5~7.5	7.5	6.5~7.5	7.5	6.5~7.5
8	7~8	8	7~8	8	7~8
8.5	7.5~8.5	8.5	7.5~8.5	8.5	7.5~8.5
9	8~9	9	8~9	9	8~9
9.5	8.5~9.5	9.5	8.5~9.5	9.5	8.5~9.5
10	9~10	10	9~10	10	9~10
10.5	9.5~10.5	10.5	9.5~10.5	10.5	9.5~10.5
11	10~11	11	10~11	11	10~11
11.5	10.5~11.5	11.5	10.5~11.5	11.5	10.5~11.5
12	11~12	12	11~12	12	11~12
12.5	11.5~12.5	12.5	11.5~12.5	12.5	11.5~12.5
13	12~13	13	12~13	13	12~13
		13.5	12.5~13.5	13.5	12.5~13.5
		14	13~14	14	13~14
		14.5	13.5~14.5	14.5	13.5~14.5
		15	14~15	15	14~15
		15.5	14.5~15.5	15.5	14.5~15.5
		16	15~16	16	15~16
				16.5	15.5~16.5
				17	16~17
				17.5	16.5~17.5
				18	17~18
				18.5	17.5~18.5
				19	18~19
				19.5	18.5~19.5
				20	19~20

特點 / Features

- 內孔精研磨 (Inner hole fine grinding)
- 前八後八溝槽設計，具較大收縮夾持範圍 (Eight full grooves in the front and eight in the back, with a large shrinkage clamping range)
- 偏擺(Concentric accuracy): 5μm(0.005mm)、8μm(0.008mm)

A 無動力刀座
Live tools for CNC lathes & Fixed knife holder

B 車床筒夾
Headstock collets

C 車床導套
Guide bushes for lathes

D 開閉爪
Toggle

E 送料機零件
Automatic bar feeder parts

F CNC車床零件
CNC Lathe parts

G 車床零件
Automatic lathe parts

H CNC車床鑽孔軸
CNC Extension rod

I 攻牙筒夾/SK筒夾
ER筒夾/水筒夾
ER Collet/Waterstop collet/
Tapping collet / SK collet

J 切削刀具G系列
Cutting Tool G Series

K 切削刀具J系列
Cutting Tool J Series

L 鎢鋼鑽頭/定點鑽
Carbide drill bit/
Carbide spot drill

A 無動力刀座
Live tools for CNC lathes & Fixed knife holder

B 車床筒夾
Headstock collets

C 車床導套
Guide bushes for lathes

D 開閉爪
Toggle

E 送料機零件
Automatic bar feeder parts

F CNC車床零件
CNC Lathe parts

G 車床零件
Automatic lathe parts

H CNC車床鑽孔軸
CNC Extension rod

I 攻牙筒夾/SK筒夾
ER筒夾/水筒夾
ER Collet/Waterstop collet/
Tapping collet / SK collet

J 切削刀具G系列
Cutting Tool G Series

K 切削刀具J系列
Cutting Tool J Series

L 鎢鋼鑽頭/定點鑽
Carbide drill bit/
Carbide spot drill

SK筒夾 SK Collet



SK6		SK10		SK13		SK16	
尺寸 Size	範圍 Range	尺寸 Size	範圍 Range	尺寸 Size	範圍 Range	尺寸 Size	範圍 Range
3	2.75~3	3	2.75~3	3	2.75~3	3	2.75~3
3.175	2.925~3.175	3.175	2.925~3.175	3.175	2.925~3.175	3.175	2.925~3.175
4	3.5~4	4	3.5~4	4	3.5~4	4	3.5~4
5	4.5~5	5	4.5~5	5	4.5~5	5	4.5~5
6	5.5~6	6	5.5~6	6	5.5~6	6	5.5~6
		8	7.5~8	8	7.5~8	8	7.5~8
		10	9.5~10	10	9.5~10	10	9.5~10
				12	11.5~12	12	11.5~12
						14	13.5~14
						16	15.5~16

特點 / Features

- 偏擺(Concentric accuracy):5μm(0.005mm)、8μm(0.008mm)
- 可夾持鑽頭、銑刀、絞刀(Can hold drills, milling cutters, reamers)
- 所夾持刀具柄徑公差限定h7以內(The tolerance of the shank diameter of the clamped tool is limited to within h7)
- 孔徑3以上彈性收縮0.5mm(Elastic shrinkage 0.5mm above aperture 3)

攻牙筒夾 Tapping collet



ER16		ER20	
尺寸 Size	範圍 Range	尺寸 Size	範圍 Range
3	2.75~3	3	2.75~3
3.5	3.25~3.5	3.5	3.25~3.5
4	3.75~4	4	3.75~4
4.5	4.25~4.5	4.5	4.25~4.5
5	4.75~5	5	4.75~5
5.5	5.25~5.5	5.5	5.25~5.5
6	5.75~6	6	5.75~6

特點 / Features

- 可直接裝鑽孔軸使用，不用裝專用的攻牙軸(It can be directly installed with drilling shaft, without special tapping shaft)
- 伸縮絲具有緩衝，首牙攻入不易爛牙(The telescopic wire has a buffer, and the first tooth is not easy to rot.)
- 攻入和回退不會受轉速和進刀影響牙距(Tapping and retracting will not be affected by the speed and feed pitch)

止水筒夾 Water stop collet



ER11		ER16		ER20		ER25		ER32	
尺寸 Size	範圍 Range	尺寸 Size	範圍 Range	尺寸 Size	範圍 Range	尺寸 Size	範圍 Range	尺寸 Size	範圍 Range
3	2.5~3	3	2~3	3	2~3	3	2~3	3	2~3
4	3.5~4	4	3~4	4	3~4	4	3~4	4	3~4
5	4.5~5	5	4~5	5	4~5	5	4~5	5	4~5
6	5.5~6	6	5~6	6	5~6	6	5~6	6	5~6
7	6.5~7	7	6~7	7	6~7	7	6~7	7	6~7
		8	7~8	8	7~8	8	7~8	8	7~8
		9	8~9	9	8~9	9	8~9	9	8~9
		10	9~10	10	9~10	10	9~10	10	9~10
				11	10~11	11	10~11	11	10~11
				12	11~12	12	11~12	12	11~12
				13	12~13	13	12~13	13	12~13
						14	13~14	14	13~14
						15	14~15	15	14~15
						16	15~16	16	15~16
								17	16~17
								18	17~18
								19	18~19
								20	19~20