

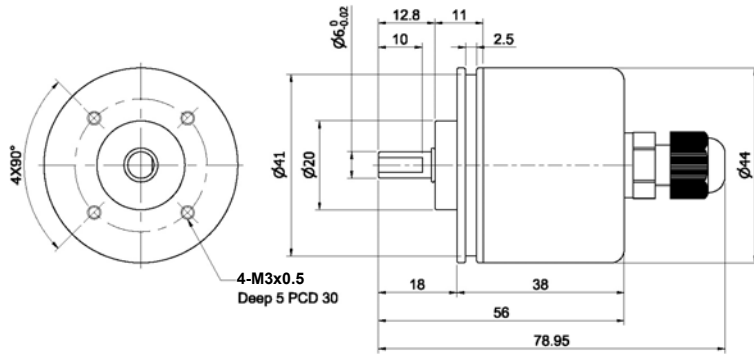
# S-W

## ROTARY ENCODER HIGH RESOLUTION



- Shaft Diameter 6 mm
- Line Driver
- DC 5~26V

### DIMENSION



### ORDERING INFORMATION

S-W		A	
	Pulse per Revolution 解析		Electronics 電路特性
	5000, 10000, 20000, 25000		H: Line Driver 5~26Vdc

### ELECTRICAL SPEC.

Detection System	Incremental 增量型
Output Wave 輸出波形	Square Wave 方波
Standard Number of Pulse Per Revolution 解析	5000, 10000, 20000, 25000
Output Phase 輸出相	ABZ phase
Electronics 電路特性	Line Driver 差動式
Power Supply 供應電源	DC 5~26V
Current Consumption 消耗電流	≤ 60 mA
Output Capacity 輸出容量	Sync. Current: 20 mA, Residual Voltage: 0.5V or less
Max. Response 最大響應頻率	150K Hz
Phase Different 相位差	A, B phase different 90°±45° (T/4±T/8), Z phase T±T/8
Wave Form Rise / Fall 波形上下時間	1 μs or less
Polarity 極性保護	Against Reverse Protection

### MECHANICAL SPEC.

Shaft Diameter 軸徑	6 mm
Shaft Loading 軸荷重	Axial 軸向: 0.5 Kg, Radial 徑向: 1 Kg
Starting Torque (at 25°C) 起動轉矩	30 gf-cm or less
Max. Speed 最大機械容許速度	6,000 rpm
Vibration 震動	10 ~55 Hz / 1.5 mm X.Y.Z. 2 hr
Shock 衝擊	50g per 11 ms
Cable 電線	Ø4.5, 1000 mm long
Weight 重量	≤ 200g

### ENVIRONMENTAL SPEC.

Operating Temp. / Humidity 操作溫度/濕度	0°C ~ 60°C, RH 35% ~ 90% (No Condensation)
Storage Temp. 儲存溫度	-20°C ~ 70°C
Protection 保護等級	IP54: Dust Proof