



油(液)壓瓶式千斤頂

Hydraulic Bottle Jack & Lifting Jack



Quality Devo

『創新·品質·服務』 —— 巨輪興的承諾與堅持

1978年，本公司以巨輪企業行之商號創立於高雄縣橋頭鄉，主要營運項目為油壓千斤頂及各類油壓手工具的開發、生產、銷售及維修服務。創業以來，始終堅持以『研發為基石、品質即命脈、服務為根本』的理念，提供客戶性能優異的產品及完善的專業服務，20餘年來深獲國內外業界的肯定與信任。

為落實企業永續經營的願景，公司在全體同仁長期努力與客戶的熱情支持下，終於在2000年新世紀來臨之際，完成新廠落成遷入啟用及擴大公司組織，同時以全新的企業體制—巨輪興有限公司，持續為滿足客戶需求而努力。

本著創業初衷之熱忱和經歷千錘百鍊的豐富經驗，在不斷改善製造流程，嚴格監控每一生產環節中，巨輪興有限公司將以國際品質的實力，伴隨客戶共創未來。

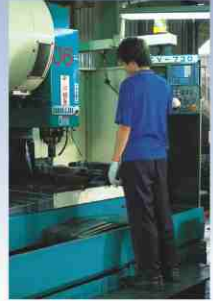
In 1978, our company was established with the name – Chu Lun Co. in Chiao Tou Hsiang. The scope of supply is inclusive of the R&D, manufacturing, sales business and after-service of the hydraulic jacks and the versatile hydraulic hand tools. Sticking to the philosophy of “R&D as foundation, quality as lifeline and service as basis”, we provides the clients with the most outstanding products and comprehensive after-service system. Over 20 years effort and development, we have gained the trust and credibility from domestic and international industries.

To reach the vision of long-term operation goal, we have setup a newly expansion plant and enlarged the organization structure under the staff's hard work and the clients' strong support in the threshold of year 2000. The overall revolutionized operation under the new brand name – CHU LUN SING CO. LTD. We will do everything satisfy to our customers continuously.

Chu Lun Sing's ultimate goal is to invite our clients together to create the new future and to present the internationalized recognized products by his tenacity, abundant experiences, continuing improvements on manufacturing progress and stringent quality control system.



Service Development





巨輪興對於所做的每個環節都給予品質上的承諾：從原料的購入乃至客戶的售後服務，並且通過ISO9001:2015國際認證。

ISO9001:2015要求承諾管理、執行、產品研發、生產及持續改進的一系列標準化，此認證標準即證明巨輪興已執行並維持記錄自工廠至客戶，包含檢測、處理、訓練等所有文件。

ISO9001要求定期內部和外部稽核以確認所有足以影響品質控制的因素得以監控，這些都是無論過去或未來我們對客戶的保證。

SUN RUN's promise to quality is evident in everything we do, from raw material receipt to how we support our customers years after they purchase our goods.

We are registered to ISO9001:2015 international quality standard. ISO 9001:2015 requires compliance with standards for management, administration, product development, manufacturing and continual improvement.

Our registration verifies that SUN RUN has adopted and maintains documentation for processes ranging from factory to customers, inspection, handling, and training. ISO 9001 also requires periodic internal and external audits to ensure all aspects of work affecting quality control are monitored.

This always has been, and will continue to be. That's our guarantee to you.

巨輪興油壓缸符合美國機械工程協會(American Society of Mechanical Engineers) ASME B30.1標準：








1.於典型材料降服強度下，油壓缸有至少2:1的安全係數：

2.油壓缸設計為：

- A.於額定荷重110%時，全揚程操作10次以上
- B.於額定荷重150%時，以90%揚程操作3次，操作完成後再以額定荷重100%及全揚程狀況下檢視其功能是否正常：
是否有漏油情況

SUN RUN hydraulic cylinder almost with the criteria set forth in the American Society of Mechanical Engineers standard ASME B30.1：

- 1. Cylinder are designed to have minimum of a 2-to-1 safety factor on typical material yield strength; and/or
- 2. Cylinder design is
 - A. operated through a minimum of 10 cycles of full travel at 110% of rated load, and
 - B. Pressurized 3 times at 150% of pressure with the cylinder extended to approximately 90% of full stroke, after which the cylinder must be functional at rated load for full stroke and free of leaks.

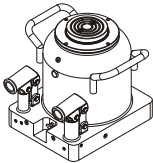
	<p>SH 手動液壓千斤頂 Hydraulic Manual Bottle Jack</p>  <p>DM 雙層式手動千斤頂 Two-stage-Telescopic Jack</p>  <p>131-132</p>		
	<p>SHL 手動液壓千斤頂 -附爪型 Hydraulic Manual Bottle Jack Toe-Lift</p>  <p>SLJM-10 油壓起道機 Lifting Jack</p>  <p>133-134</p>		
	<p>ST 氣動液壓千斤頂 Hydraulic Bottle Jack with Air pump</p>  <p>STH 氣動-手動二用 液壓千斤頂 Dual purpose Jack Manual/Pneumatic</p>  <p>135</p>		
	<p>STC 氣動液壓千斤頂 推車型 Air Hydraulic Truck Jack</p>  <p>136</p>		

SH 手動式油壓千斤頂

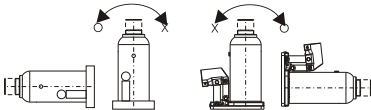
- 碳鋼底座，自動化焊接，品質穩定。
- 主軸採用合金鋼硬銘處理，耐久不生銹。
- 使用簡便，易攜帶，用途廣泛。



SH-series



SH-100



SH-50A(SG)

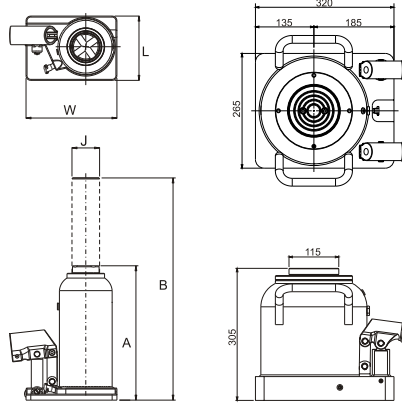


SH-20A(SG)



Manual Hydraulic Bottle Jack

- ※ Carbon steel base with automatic welding makes stable quality.
- ※ Alloy steel plunger with chrome plated.
- ※ Easy to use, carry & extensive applications.



SH-series

SH-100

其他選配說明

假如您需要選配其他要求於您所訂製的千斤頂/油壓缸上，請依下列規範字尾增加編號。

充油式壓力錶：(SG)

案例：

SH-20A 選配充油式壓力錶，訂製型號改為 SH-20A(SG)

相關技術諮詢請與 SUN RUN 取得聯繫。

Optional Features

To add optional features to your jack, add the follow suffixes to the end of the model number.

Hydraulic Pressure Gauge :(SG)

Example :

SH-20A with hydraulic pressure gauge, order: SH-20A(SG). Technical specifications for these features are available from SUN RUN.

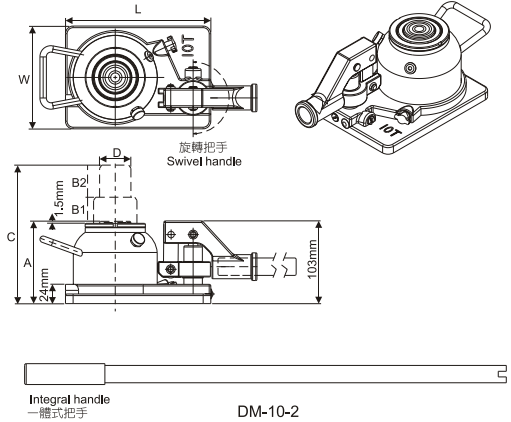
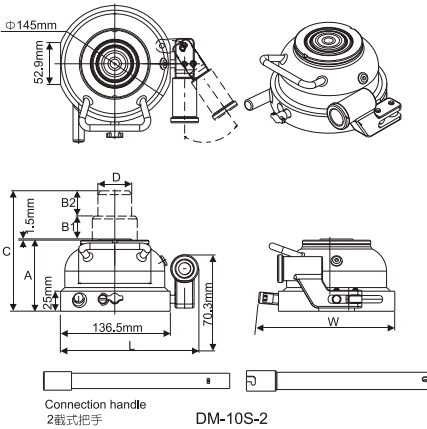
型號 Model Number	能力 Capacity (ton)	揚程 Stroke (mm)	本身高 Min. Height A (mm)	伸長總高 Ext. Height B (mm)	主軸直徑 Plunger Diam. J (mm)	底座尺寸 Base Dimensions L x W (mm)	輔助高 Auxiliary Height (mm)	總重 Weight (kg)
SH-05	5	137	204	341	30	90 X 110	56	3.5
SH-05B		111	199	310	32	82 X 142	72	5
SH-10A	10	134	238.5	372.5	42	105 X 166	85	8.2
SH-10B		80	169	249	42	105 X 166	55	6.4
SH-20A	20	150	267.5	417.5	55	128 X 181	85	13.3
SH-20B		80	187.5	267.5	55	128 X 181	55	10.0
SH-30A	30	154	283	437	62	141 X 197	N / A	19.6
SH-30B		75	183	258	62	141 X 197	N / A	13.8
SH-50A	50	150	305	455	85	200 X 257	N / A	42.3
SH-100	100	145	305	450	115	265X 320	N / A	85.0

DM 雙層式手動千斤頂

- 碳鋼底座，自動焊接，品質穩定。
- 主軸採用合金鋼硬銘處理，耐久不生銹。
- 使用簡便，易攜帶，用途廣泛。
- 本體低、揚程高。

DM Two-stage-Telescopic Jack

- ※ Carbon steel base with automatic welding makes stable quality.
- ※ Alloy steel plunger with chrome plated.
- ※ Easy to use, carry & extensive applications.
- ※ With long travel from low position.



型號 Model Number	能力 Capacity (ton)	揚程 Stroke (mm)	本身高 Min. Ht. A (mm)	階段高度 Stage Ht.		伸長總高 Ext. Height C (mm)	最高主軸直徑 Top plunger Diam. D (mm)	底座尺寸 Base Dimensions L x W (mm)	柄管尺寸/樣式 Handle tube (mm)	總重 Weight (kg)
				B1	B2					
				(mm)						
DM-10S-2	10	60	90	28.5	30	150	42	171.81 X 170	Φ21.7*425/ 2截式 Connection handle	6.8
DM-10-2	10	70	102	31.5	40	172	39	181 X 128	Φ21.7*600/一體式 Integral handle	7.0

SHL 手動式油壓千斤頂附爪型

- 碳鋼底座，自動化焊接，品質穩定。
- 主軸採用合金鋼硬銘處理，耐久不生銹。
- 適用於重機械校正水平用，及一般千斤頂無法使用的狹小場所。

Manual Hydraulic Bottle Jack with Toe-Lift

- ※ Carbon steel base with automatic welding makes stable quality.
- ※ Chrome plated plunger resists corrosion and extends life.
- ※ For heavy equipment lifting or check level with minimum available access.



型號 Model Number	頂部荷重 Top Cap. U (ton)	爪部荷重 Toe-Lift Cap. F (ton)	揚程 Stroke (mm)	本身高 Coil Height A (mm)	伸長總高 Ext. Height B (mm)	主軸直徑 Plunger Dia. J (mm)	底座尺寸 Base Dimensions L x W (mm)	爪高 Height K(mm)	爪塊尺寸 Toe-Lift Base L1 x W1 (mm)	總重 Weight (kg)
SHL-05S	5	2.5	110	230	340	32	152 X 200.5	16	78 X 47	8.5
SHL-10S	10	5	135	277	412	42	185 X 235	22	98 X 55	20.0
SHL-10B	10	5	75	211	286	42	220 X 238	22	130 X 52	18.15
SHL-20S	20	10	150	317	467	55	220 X 240	25	132 X 48	31.5
SHL-20B	20	10	73	239	312	55	220 X 242	25	132 X 46	24.9
SHL-30S	30	15	150	335	486	62	265 X 272	28	149 X 60	44.0
SHL-50S	50	25	150	370	520	85	340 X 354	40	190 X 75	88.5
SHL-10P	10	5	134	266	400	42	125 X 275	50	100 X 100	20.0
SHL-10PH	10	5	134	266	400	42	125 X 275	50	100 X 100	20.0



SLJM 油壓起道機

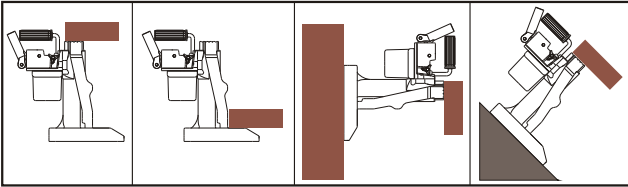
- 可獨立操作，高機動性。
- 低爪位。
- 最少施力，方便操作。
- 鋁合金本體，重量輕。

Lifting Jacks

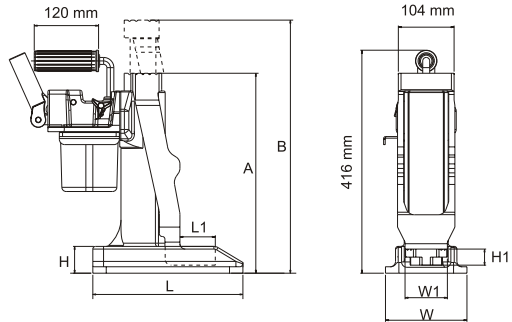
- ※ Self-contained models for maximum versatility.
- ※ Low toe heights fit in tight clearances.
- ※ The lowest handle effort for easy operation.
- ※ Aluminum body, the lowest weight for reduced back injuries.



適用性 Application



SLJM10-A04 強力爪塊 Strong Toe-Lift
優點：一體成型鑄造，耐荷重，不易變形、斷裂。
Advantage: Casting integral, heavy duty, not easily deformed and fracture.



※專用操作桿80cm。

型號 Model No.	每操作衝程 stroke for per moving (mm)	全負載時 桿最大出力 Handle capacity at fully loading (N)	油箱容量 Oil tank (c.c)
SLJM-10	3.6	360	690
SLJM-15	4.0	365	690

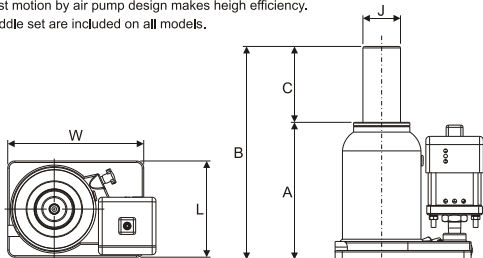
型號 Model No.	頂部荷重 Top cap. (ton)	爪部荷重 Low toe-Lift cap. (ton)	揚程 Stroke (mm)	本身高 Min. Height A (mm)	伸長總高 Ext. Height B (mm)	底座尺寸 Base Dimensions L x W x H (mm)	頂爪尺寸 Top Toe-Lift Dimensions L1 x W1 x H1 (mm)	總重 Weight (kg)	使用壓力 working press Rang (bar)
SLJM-10	10.0	8.5	225	373	598	280 x 152 x 50	66 x 79 x 30	20.3	560
SLJM-15	15.0	15.0	225	373	598	280 x 152 x 50	100 x 50 x 30	21.6	560

ST 氣動式油壓千斤頂

- 碳鋼底座，自動化焊接，品質穩定。
- 合金鋼主軸高強度、耐荷重，表面硬銘處理，質輕、易攜帶，具自動回縮功能。
- 各型號均附墊塊組、採用空氣動力泵浦、上昇速度快，讓工作效率更高。

Hydraulic Bottle Jack with Air Pump

- ※ Carbon steel base with automatic welding makes stable quality.
- ※ Chrome plated plunger with self-return resists corrosion and extends life.
- ※ Fast motion by air pump design makes high efficiency.
- ※ Saddle set are included on all models.



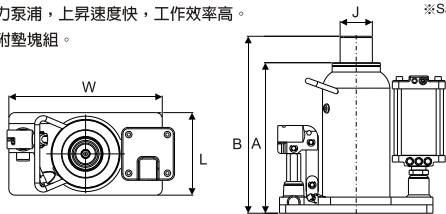
ST-series

STA-50

型號 Model Number	能力 Capacity (ton)	揚程 Stroke (mm)	本身高 Min. Height A (mm)	伸長總高 Ext. Height B (mm)	主軸直徑 Plunger Diam. J (mm)	底座尺寸 Base Dimensions L x W (mm)	輔助高 Auxiliary Height (mm)	使用空壓 Air pressure range (kgf/cm ²)	總重 Weight (kg)
ST-20H	20	344	455	799	50	128 x 181	10,45,80,160	8-12	22.0
ST-20A		150	235	385	50	128 x 181	10,45,80	8-12	16.0
ST-20B		125	210	335	50	128 x 181	10,45,80	8-12	15.0
ST-20C		100	185	285	50	128 x 181	10,45,80	8-12	14.0
ST-30A	30	145	235	380	60	141 x 197	10,45,80	8-12	22.0
ST-30B		120	210	330	60	141 x 197	10,45,80	8-12	21.0
STA-50	50	150	248	398	70	150 x 170	10,45,80	8-12	37.0

STH 手動/ 氣動二用型千斤頂

- 碳鋼底座，自動化焊接，品質穩定。
- 合金鋼主軸高強度，耐荷重，表面硬銘處理，質輕、易攜帶，具自動回縮功能。
- 採空氣動力泵浦，上昇速度快，工作效率高。
- 各型號均附墊塊組。



Dual purpose Jack, Manual/ Pneumatic

- ※ Carbon steel base with automatic welding makes stable quality.
- ※ Chrome plated plunger with self-return, resists corrosion and extends life.
- ※ Fast motion by air pump design makes high efficiency.
- ※ Saddle set are included on all models.



STH-20A

型號 Model Number	能力 Capacity (ton)	揚程 Stroke (mm)	本身高 Min. Height A (mm)	伸長總高 Ext. Height B (mm)	主軸直徑 Plunger Diam. J (mm)	底座尺寸 Base Dimensions L x W (mm)	輔助高 Auxiliary Height (mm)	總重 Weight (kg)	使用空壓 Air pressure Rang (kgf/cm ²)
STH-20A	20	150	235	385	50	128x238	16,45,80	14.5	8-12
STH-20B		125	210	335	50	128x238	16,45,80	13.5	8-12
STH-30A	30	145	240	385	60	141x257	16,45,80	19.6	8-12
STH-30B		120	215	335	60	141x257	16,45,80	18.6	8-12

STC 氣動式油壓千斤頂推車型

- 推車型設計使用輕便。
- 採用空氣動力泵浦、增加效率。
- 採用合金鋼主軸硬路處理，主軸均具自動回縮功能。
- 各型號均附墊塊組。

Air Hydraulic Truck Jack

- ※ Trolley design for easy movement.
- ※ Air pump increases efficiency.
- ※ Chrome plated plunger with self-return.
- ※ Saddle sets are included on all models.



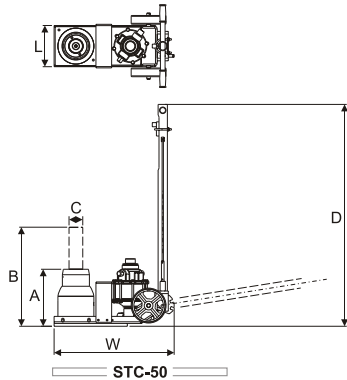
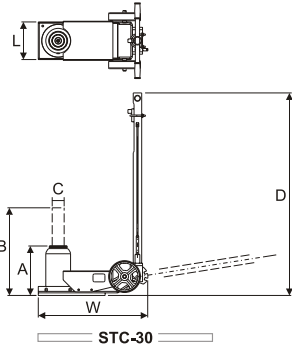
STC-30L



STC-50



STC-50DL



STC-50DL



STC-50

型號 Model Number	能力 Cap. (tons)	揚程 Stroke (mm)	本身高 Coll. Height A (mm)	伸長總高 Ext. Height B (mm)	主軸 Plunger C (mm)	柄高 Handle Height D (mm)	底座尺寸 Base Dimensions L x W (mm)	輔助高度 Auxiliary Height (mm)	使用空壓 Air pressure Rang (kgf/cm ²)	總重 Weight (kg)
STC-30L	30	120	224	350	60	1385	190x570	10,45,80	10-15	45.5
STC-50	50	130	242	375	65	1055	190x570	10,60,120	10-15	58.5
STC-50L	50	130	242	375	65	1390	190x570	10,60,120	10-15	58.5
STC-50L2	50	130	242	375	65	1690	190x570	10,60,120	10-15	58.5
STC-50DL	1st ₅₀ 2nd ₃₀	1st ₆₇ 2nd ₇₃	160	300	∅85/∅55	1385	190x570	10,60,120	10-15	44.4
STC-50DLB	1st ₅₀ 2nd ₃₀	1st ₆₇ 2nd ₆₈	160	295	∅85/∅55	1385	190x821	10,60,120	10-15	58.0



巨輪興股份有限公司-總公司

CHU LUN SING CO.,LTD- Head Office

82059高雄市岡山區岡山北路199號
No.199, Gangshan N. Rd., Gangshan Dist.,
Kaohsiung City 82059, Taiwan
TEL:886-7-6210505
FAX:886-7-6217575
<http://www.sunrun.com.tw>
e-mail: sun.run@msa.hinet.net

Singapore

Sun Hydraulics Pte Ltd

2 Yishun Industrial Street 1 #04-15
North Point Bizhub Singapore 768159
TEL : 65-6 841 7833
FAX : 65-6 844 2231
<http://www.sunhydraulics.com.sg>
e-mail: sales@sunhydraulics.com.sg

Thailand

Sun Hydraulics [Thailand] Co., Ltd

293/14 Soi Ramintra 119 Minburi Bangkok
10510 Thailand
TEL : 66-2 540 6631
FAX : 66-2 540 6632
<http://www.sunhydraulics.co.th>
e-mail: sales@sunhydraulics.co.th

India

V-tech power hydraulics

5, Roshan House, Plot # 18, Sector # 30
Opp. Sanpada Railway Station, Sanpada (West) ,
Navi Mumbai - 400 705, Maharashtra, India
TEL : 91 22 27 75 21 80
FAX : 91 22 27 75 11 81
<http://www.vtechhydraulic.com>
e-mail: sales@vtechhydraulic.com

China-Shanghai

Chu Lun Sing Machinery [Shanghai] Co., Ltd

昆山市花橋鎮花安路169號中寰廣場公寓樓1層5室
Room5, building 169, HuaAn Road, HuaQiao District KunShan City
TEL : 86- 21 39217246
FAX : 86-51 236870145
Mobil : 86- 18001933799
86- 15821790796
86- 13671662885

