

PULCOM V2

簡單操作/Easy operation
簡單儲存資料/Easy to save data
支援多種語言/Support multi language
多元尺寸/價格較低/Compact size & Low price



簡單操作 / Easy operation

像智慧型手機一樣的觸控面板
Touch-Panel Icons operation like smart phone.



簡單容易設定 / Easy setup

可以使用USB記憶卡來存取參數
You can save parameter and condition by USB memory, and can be loading those.



支援多種語言 / Support multi language

您可以選擇當地的語言
英語與日語已經安裝(其中之一為標配),你可以選擇其他國家的語言。
例如:中文,泰文,印尼,西班牙,韓文

You can operate in the local language mode!
In addition to English and Japanese mode (pre-installed as standard ones), You can choose and use another from Chinese, Korean, Thai, Indonesian and Spanish.

應用 / Application

PULCOM-V2 非常適合使用在單一線上量測系統
PULCOM-V2 is the most suitable for in-process gaging for simple work.



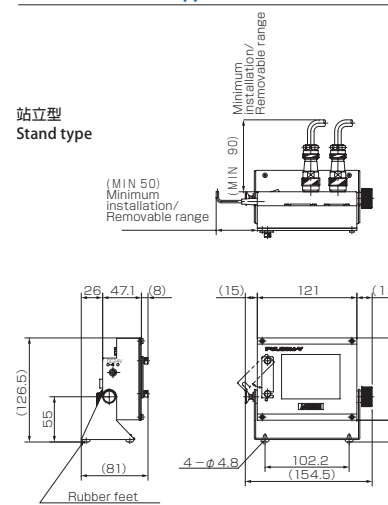
PULCOM-V2 可以作為音頻感測器"GE-11"的控制器
PULCOM-V2 can build simple gaging system with our AE sensor amplifier "GE-11".



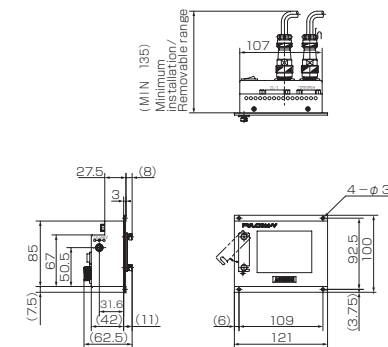
樣式 / Specifications

Display	3.5 inch QVGA TFT color LCD with touch panel
Display range	± 50 μm, ± 100 μm, ±500 μm, ±800 μm, ±2000 μm, ±3000 μm, ±5000 μm
Resolution	1 μm, 0.1 μm
Number of detector inputs	Max. 2
Measuring items	1
I/O	input: 4, output: 8
Main function	gage calculation(G1, G2, (G1±G2), (G1±G2)/2), smoothing, S-CUT
Power supply	DC24 V 0.5 A

外觀/尺寸圖 / Outer Appearance/Dimensions Diagram 對應的測量頭 / Conforming gage head



安裝至電器箱型 Panel mount type



Product name	Model	Product name	Model
PULCOMΣ	E-TS-10XX L=42	PULCOM Γ	E-DT-173 L=82
PULCOMΣ	E-TS-10XX L=82	PULCOM Γ	E-DT-173 L=42
PULCOMΣ	E-TS-10XX L=132	PULCOM Γ	E-DT-173 L=72
PULCOMΣ	E-TS-11XX L=42	PULCOM Γ	E-DT-173 L=82
PULCOMΣ	E-TS-11XX L=82	PULCOM Γ	E-DT-173 L=112
PULCOMΣ	E-TS-11XX L=132	PULCOM Γ	E-DT-175A
PULCOM MINIΣ	E-TS-50XX	PULCOM Γ	E-DT-174
PULCOM MINIΣ	E-TS-51XX	PULCOM Γ	GS-173F
PULCOM SuperΣ(H)	E-TS-71XX L=42	Γ II	Γ II -AR
PULCOM SuperΣ(H)	E-TS-71XX L=82	Γ II	Γ II
PULCOM SuperΣ	E-TS-71XX L=42	Γ III	Γ III -ARA
PULCOM SuperΣ	E-TS-71XX L=82	Γ III	Γ III -ARA
PULCOM SuperΣ	E-TS-71XX L=132	MOD	MOD
PULCOM Γ	E-DT-173 L=42		
PULCOM Γ	E-DT-173 L=72		

產品代碼 / Product code table

Product code	Product name	Model	Remarks/Language
0935501	PULCOM V2	E-PV201	(Stand type)Japanese/English/Chinese
0935502	PULCOM V2	E-PV202	(Stand type)Japanese/English/Korean
0935503	PULCOM V2	E-PV203	(Stand type)Japanese/English/Thai
0935504	PULCOM V2	E-PV204	(Stand type)Japanese/English/Indonesian
0935505	PULCOM V2	E-PV205	(Stand type)Japanese/English/Spanish
0935521	PULCOM V2 P	E-PV221	(Panel type)Japanese/English/Chinese
0935522	PULCOM V2 P	E-PV222	(Panel type)Japanese/English/Korean
0935523	PULCOM V2 P	E-PV223	(Panel type)Japanese/English/Thai
0935524	PULCOM V2 P	E-PV224	(Panel type)Japanese/English/Indonesian
0935525	PULCOM V2 P	E-PV225	(Panel type)Japanese/English/Spanish

項目 / Options

Product code	Product name	Remarks/Language
0935410	STAND 120*100	STAND FOR MINICOM-X / PULCOM V2
0935411	AC/DC ADAPTOR	AC/DC ADAPTOR WITH PSE CABLE (JAPAN)
0935460	24V05A ACPWR	AC/DC ADAPTOR WITH UL/CSA CABLE (NORTH AMERICA)
0935461	24V05A ACPWR	AC/DC ADAPTOR WITH CE CABLE (EURO)
0935462	24V05A ACPWR	AC/DC ADAPTOR WITH KC CABLE (KOREA)
0935463	24V05A ACPWR	AC/DC ADAPTOR WITH CCC CABLE (CHINA)
4220574	USB MEMORY 4GB	USB MEMORY 4 GB