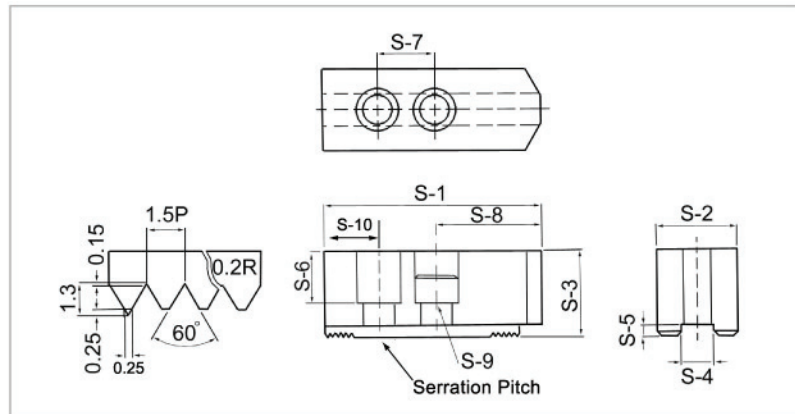


1.5mmX60° STANDARD TYPE



- With above angle for different workpiece:
- For Flat Type Jaws, please add "A" to suffix of order number, such as :SJ08037A
Standard Type :SJ08037B, 120° Pointed :SJ08037C, 90° Pointed :SJ08037D, 60° Pointed :SJ08037E,

▶ DIMENSIONS

UNIT: mm

DIMENSION ORDER NUMBER	S-1	S-2	S-3	S-4	S-5	S-6	S-7	S-8		S-9	S-10 (A/B angle)	S-10 (C/D/E angle)	Serration Pitch	Gross Weight (kg)
								A,B	C,D E					
SJ04023	51	23	23	10	4	13	14	27		M8		10	1.5x60°	0.5
SJ05027	62	23	27	10	4	17	14	38		M8		10	1.5x60°	0.7
SJ06030	73	31	31	12	5	18	20	38	43	M10	15	10	1.5x60°	1.5
SJ08037	95	35	37	14	5	22	25	46	54	M12	24	16	1.5x60°	2.5
SJ10042	110	40	42	16	5	27	30	50	60	M12	30	20	1.5x60°	3.6
SJ12048	129	48	48	21(18)	5	28	30	60	74	M16(M14)	39	25	1.5x60°	6.2
SJ15062A	165	62	62	22(25.5)	8(5)	37	43	85		M20	37		1.5x60°	12.6
SJ18062A	165	62	62	22(25.5)	8(5)	37	43	85		M20	37		1.5x60°	12.6

- Material: Steel (S45C)
- To suit kitagawa and other famous chucks.