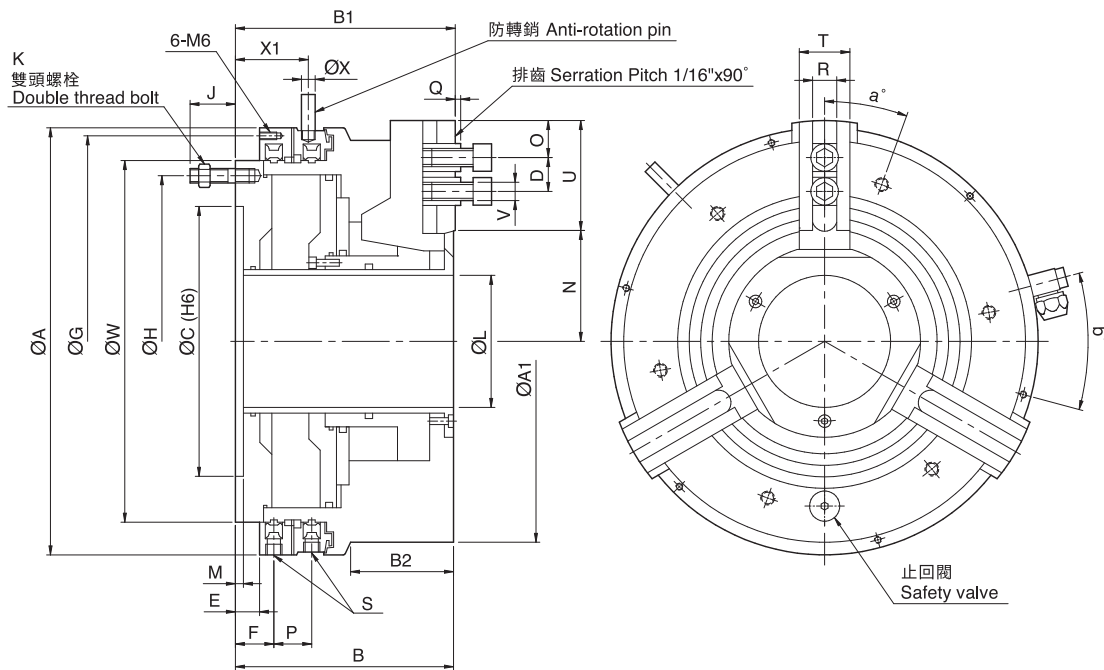




SB-ES

Pneumatic power chuck

1. Universally used in turning machines, rotary table.
2. Air chuck for external clamping with built-in pneumatic cylinder.
3. Fast and clamping jaw stroke.



UNIT : mm

SPEC Model	Through-Hole (mm)	Total-Hole Stroke/jaw (mm)	Fast Stroke/jaw (mm)	Clamping Stroke/jaw (mm)	Piston Area (cm ²)	Operating Pressure Min.~Max. (bar)	Gripping* Force (kN)	Max. Speed (r.p.m.)	Moment Of Inertia I (kg · m ²)	Weight (kg)	Air* Consumption (L)
350-115	115	15	10	5	486	2-10	88	2200	1.82	104	13.5

*When operating pressure at 6 bar.

DIM Model	A	A1	B	B1	B2	C	D max./min.	E	F	G	H	J	K	L	M	N max./min.	O min.	P	Q	R	S	T	U	V	W	X	X1	a°	b°
350-115	372	360	190	191.5	92	235	64/28	21	33.5	358	290.5	39.5	6-M12	115	6.5	100/85	12	33	3	21	G1/4"	44	92	M16	315	12	61	20	15