



手工具
Tool Product



Quality Devo

『創新·品質·服務』 —— 巨輪興的承諾與堅持

1978年，本公司以巨輪企業行之商號創立於高雄縣橋頭鄉，主要營運項目為油壓千斤頂及各類油壓手工具的開發、生產、銷售及維修服務。創業以來，始終堅持以『研發為基石、品質即命脈、服務為根本』的理念，提供客戶性能優異的產品及完善的專業服務，20餘年來深獲國內外業界的肯定與信任。

為落實企業永續經營的願景，公司在全體同仁長期努力與客戶的熱情支持下，終於在2000年新世紀來臨之際，完成新廠落成遷入啟用及擴大公司組織，同時以全新的企業體制—巨輪興有限公司，持續為滿足客戶需求而努力。

本著創業初衷之熱忱和經歷千錘百鍊的豐富經驗，在不斷改善製造流程，嚴格監控每一生產環節中，巨輪興有限公司將以國際品質的實力，伴隨客戶共創未來。

In 1978, our company was established with the name – Chu Lun Co. in Chiao Tou Hsiang. The scope of supply is inclusive of the R&D, manufacturing, sales business and after-service of the hydraulic jacks and the versatile hydraulic hand tools. Sticking to the philosophy of “R&D as foundation, quality as lifeline and service as basis”, we provides the clients with the most outstanding products and comprehensive after-service system. Over 20 years effort and development, we have gained the trust and credibility from domestic and international industries.

To reach the vision of long-term operation goal, we have setup a newly expansion plant and enlarged the organization structure under the staff's hard work and the clients' strong support in the threshold of year 2000. The overall revolutionized operation under the new brand name – CHU LUN SING CO. LTD. We will do everything satisfy to our customers continuously.

Chu Lun Sing's ultimate goal is to invite our clients together to create the new future and to present the internationalized recognized products by his tenacity, abundant experiences, continuing improvements on manufacturing progress and stringent quality control system.



Service Development





巨輪興對於所做的每個環節都給予品質上的承諾：從原料的購入乃至客戶的售後服務，並且通過ISO9001:2015國際認證。

ISO9001:2015要求承諾管理、執行、產品研發、生產及持續改進的一系列標準化，此認證標準即證明巨輪興已執行並維持記錄自工廠至客戶，包含檢測、處理、訓練等所有文件。

ISO9001要求定期內部和外部稽核以確認所有足以影響品質控制的因素得以監控，這些都是無論過去或未來我們對客戶的保證。

SUN RUN's promise to quality is evident in everything we do, from raw material receipt to how we support our customers years after they purchase our goods.

We are registered to ISO9001:2015 international quality standard. ISO 9001:2015 requires compliance with standards for management, administration, product development, manufacturing and continual improvement.

Our registration verifies that SUN RUN has adopted and maintains documentation for processes ranging from factory to customers, inspection, handling, and training. ISO 9001 also requires periodic internal and external audits to ensure all aspects of work affecting quality control are monitored.

This always has been, and will continue to be. That's our guarantee to you.

巨輪興油壓缸符合美國機械工程協會(American Society of Mechanical Engineers) ASME B30.1標準：

1.於典型材料降服強度下，油壓缸有至少2:1的安全係數：

2.油壓缸設計為：

- A.於額定荷重110%時，全揚程操作10次以上
- B.於額定荷重150%時，以90%揚程操作3次，操作完成後再以額定荷重100%及全揚程狀況下檢視其功能是否正常：
是否有漏油情況

SUN RUN hydraulic cylinder almost with the criteria set forth in the American Society of Mechanical Engineers standard ASME B30.1：

- 1. Cylinder are designed to have minimum of a 2-to-1 safety factor on typical material yield strength; and/or
- 2. Cylinder design is
 - A. operated through a minimum of 10 cycles of full travel at 110% of rated load, and
 - B. Pressurized 3 times at 150% of pressure with the cylinder extended to approximately 90% of full stroke, after which the cylinder must be functional at rated load for full stroke and free of leaks.



目錄

CONTENTS

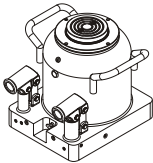
前言	1
Preface	
SH 手動式油壓千斤頂	3
Manual Hydraulic Bottle Jack	
DM 雙層式手動千斤頂	4
Two-stage-Telescopic Jack	
SHL 手動式油壓千斤頂附爪型	5
Manual Hydraulic Bottle Jack with Toe-Lift	
ST 氣動式油壓千斤頂	6
Hydraulic Bottle Jack with Air Pump	
STH 手動/ 氣動二用型千斤頂	6
Dual purpose Jack, Manual / Pneumatic	
STC 氣動式油壓千斤頂推車型	7
Air Hydraulic Truck Jack	
SD 拆胎系列	8
Tire Separation Series	
TOOL 其他工具	11
Other tools	

SH 手動式油壓千斤頂

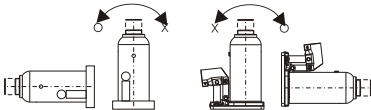
- 碳鋼底座，自動化焊接，品質穩定。
- 主軸採用合金鋼硬鉗處理，耐久不生銹。
- 使用簡便，易攜帶，用途廣泛。



SH-series



SH-100



SH-50A(SG)

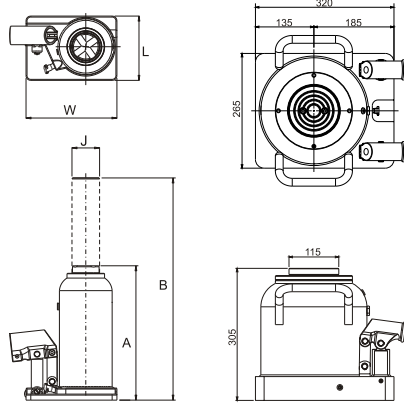


SH-20A(SG)



Manual Hydraulic Bottle Jack

- ※ Carbon steel base with automatic welding makes stable quality.
- ※ Alloy steel plunger with chrome plated.
- ※ Easy to use, carry & extensive applications.



SH-series

SH-100

其他選配說明

假如您需要選配其他要求於您所訂製的千斤頂/油壓缸上，請依下列規範字尾增加編號。

充油式壓力錶：(SG)

案例：

SH-20A 選配充油式壓力錶，訂製型號改為 SH-20A(SG)

相關技術查詢請與 SUN RUN 取得聯繫。

Optional Features

To add optional features to your jack, add the follow suffixes to the end of the model number.

Hydraulic Pressure Gauge :(SG)

Example :

SH-20A with hydraulic pressure gauge, order: SH-20A(SG). Technical specifications for these features are available from SUN RUN.

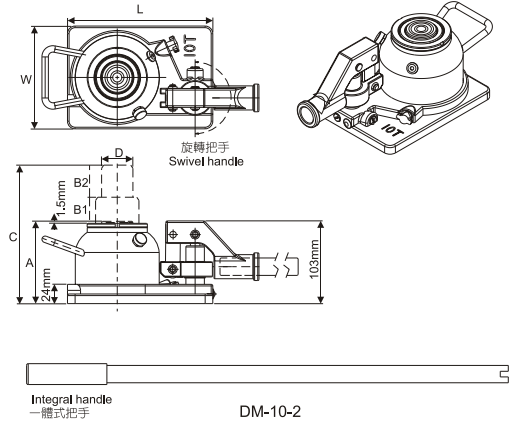
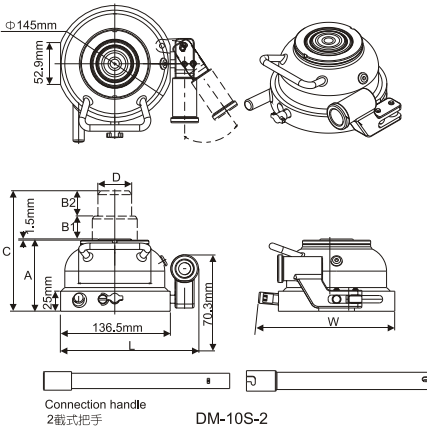
型號 Model Number	能力 Capacity (ton)	揚程 Stroke (mm)	本身高 Min. Height A (mm)	伸長總高 Ext. Height B (mm)	主軸直徑 Plunger Diam. J (mm)	底座尺寸 Base Dimensions L x W (mm)	輔助高 Auxiliary Height (mm)	總重 Weight (kg)
SH-05	5	137	204	341	30	90 X 110	56	3.5
SH-05B		111	199	310	32	82 X 142	72	5
SH-10A	10	134	238.5	372.5	42	105 X 166	85	8.2
SH-10B		80	169	249	42	105 X 166	55	6.4
SH-20A	20	150	267.5	417.5	55	128 X 181	85	13.3
SH-20B		80	187.5	267.5	55	128 X 181	55	10.0
SH-30A	30	154	283	437	62	141 X 197	N / A	19.6
SH-30B		75	183	258	62	141 X 197	N / A	13.8
SH-50A	50	150	305	455	85	200 X 257	N / A	42.3
SH-100	100	145	305	450	115	265X 320	N / A	85.0

DM 雙層式手動千斤頂

- 碳鋼底座，自動焊接，品質穩定。
- 主軸採用合金鋼硬銘處理，耐久不生銹。
- 使用簡便，易攜帶，用途廣泛。
- 本體低、揚程高。

DM Two-stage-Telescopic Jack

- ※ Carbon steel base with automatic welding makes stable quality.
- ※ Alloy steel plunger with chrome plated.
- ※ Easy to use, carry & extensive applications.
- ※ With long travel from low position.



型號 Model Number	能力 Capacity (ton)	揚程 Stroke (mm)	本身高 Min. Ht. A (mm)	階段高度 Stage Ht.		伸長總高 Ext. Height C (mm)	最高主軸直徑 Top plunger Diam. D (mm)	底座尺寸 Base Dimensions L x W (mm)	柄管尺寸/樣式 Handle tube (mm)	總重 Weight (kg)
				B1	B2					
				(mm)						
DM-10S-2	10	60	90	28.5	30	150	42	171.81 X 170	Φ21.7*425/ 2截式 Connection handle	6.8
DM-10-2	10	70	102	31.5	40	172	39	181 X 128	Φ21.7*600/一體式 Integral handle	7.0

SHL 手動式油壓千斤頂附爪型

- 碳鋼底座，自動化焊接，品質穩定。
- 主軸採用合金鋼硬銘處理，耐久不生銹。
- 適用於重機械校正水平用，及一般千斤頂無法使用的狹小場所。

Manual Hydraulic Bottle Jack with Toe-Lift

- ※ Carbon steel base with automatic welding makes stable quality.
- ※ Chrome plated plunger resists corrosion and extends life.
- ※ For heavy equipment lifting or check level with minimum available access.



型號 Model Number	頂部荷重 Top Cap. U (ton)	爪部荷重 Toe-Lift Cap. F (ton)	揚程 Stroke (mm)	本身高 Coil Height A (mm)	伸長總高 Ext. Height B (mm)	主軸直徑 Plunger Dia. J (mm)	底座尺寸 Base Dimensions L x W (mm)	爪高 Height K (mm)	爪塊尺寸 Toe-Lift Base L1 x W1 (mm)	總重 Weight (kg)
SHL-05S	5	2.5	110	230	340	32	152 X 200.5	16	78 X 47	8.5
SHL-10S	10	5	135	277	412	42	185 X 235	22	98 X 55	20.0
SHL-10B	10	5	75	211	286	42	220 X 238	22	130 X 52	18.15
SHL-20S	20	10	150	317	467	55	220 X 240	25	132 X 48	31.5
SHL-20B	20	10	73	239	312	55	220 X 242	25	132 X 46	24.9
SHL-30S	30	15	150	335	486	62	265 X 272	28	149 X 60	44.0
SHL-50S	50	25	150	370	520	85	340 X 354	40	190 X 75	88.5
SHL-10P	10	5	134	266	400	42	125 X 275	50	100 X 100	20.0
SHL-10PH	10	5	134	266	400	42	125 X 275	50	100 X 100	20.0

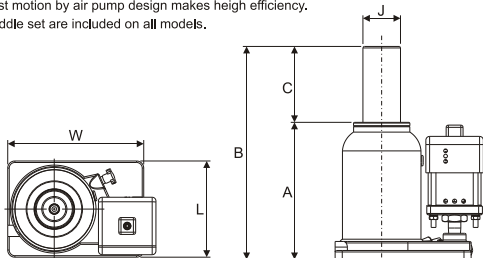


ST 氣動式油壓千斤頂

- 碳鋼底座，自動化焊接，品質穩定。
- 合金鋼主軸高強度、耐荷重，表面硬銘處理，質輕、易攜帶，具自動回縮功能。
- 各型號均附墊塊組、採用空氣動力泵浦、上昇速度快，讓工作效率更高。

Hydraulic Bottle Jack with Air Pump

- ※ Carbon steel base with automatic welding makes stable quality.
- ※ Chrome plated plunger with self-return resists corrosion and extends life.
- ※ Fast motion by air pump design makes high efficiency.
- ※ Saddle set are included on all models.



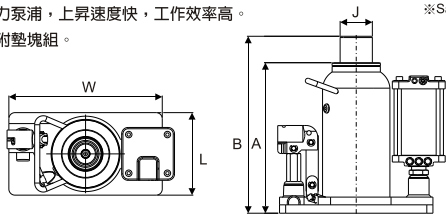
ST-series

STA-50

型號 Model Number	能力 Capacity (ton)	揚程 Stroke (mm)	本身高 Min. Height A (mm)	伸長總高 Ext. Height B (mm)	主軸直徑 Plunger Diam. J (mm)	底座尺寸 Base Dimensions L x W (mm)	輔助高 Auxiliary Height (mm)	使用空壓 Air pressure range (kgf/cm ²)	總重 Weight (kg)
ST-20H	20	344	455	799	50	128 x 181	10,45,80,160	8-12	22.0
ST-20A		150	235	385	50	128 x 181	10,45,80	8-12	16.0
ST-20B		125	210	335	50	128 x 181	10,45,80	8-12	15.0
ST-20C		100	185	285	50	128 x 181	10,45,80	8-12	14.0
ST-30A	30	145	235	380	60	141 x 197	10,45,80	8-12	22.0
ST-30B		120	210	330	60	141 x 197	10,45,80	8-12	21.0
STA-50	50	150	248	398	70	150 x 170	10,45,80	8-12	37.0

STH 手動/ 氣動二用型千斤頂

- 碳鋼底座，自動化焊接，品質穩定。
- 合金鋼主軸高強度，耐荷重，表面硬銘處理，質輕、易攜帶，具自動回縮功能。
- 採空氣動力泵浦，上昇速度快，工作效率高。
- 各型號均附墊塊組。



Dual purpose Jack, Manual/ Pneumatic

- ※ Carbon steel base with automatic welding makes stable quality.
- ※ Chrome plated plunger with self-return, resists corrosion and extends life.
- ※ Fast motion by air pump design makes high efficiency.
- ※ Saddle set are included on all models.



STH-20A

型號 Model Number	能力 Capacity (ton)	揚程 Stroke (mm)	本身高 Min. Height A (mm)	伸長總高 Ext. Height B (mm)	主軸直徑 Plunger Diam. J (mm)	底座尺寸 Base Dimensions L x W (mm)	輔助高 Auxiliary Height (mm)	總重 Weight (kg)	使用空壓 Air pressure Rang (kgf/cm ²)
STH-20A	20	150	235	385	50	128x238	16,45,80	14.5	8-12
STH-20B		125	210	335	50	128x238	16,45,80	13.5	8-12
STH-30A	30	145	240	385	60	141x257	16,45,80	19.6	8-12
STH-30B		120	215	335	60	141x257	16,45,80	18.6	8-12

STC 氣動式油壓千斤頂推車型

- 推車型設計使用輕便。
- 採用空氣動力泵浦、增加效率。
- 採用合金鋼主軸硬路處理，主軸均具自動回縮功能。
- 各型號均附墊塊組。

Air Hydraulic Truck Jack

- ※ Trolley design for easy movement.
- ※ Air pump increases efficiency.
- ※ Chrome plated plunger with self-return.
- ※ Saddle sets are included on all models.



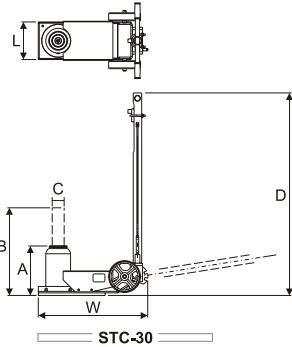
STC-30L



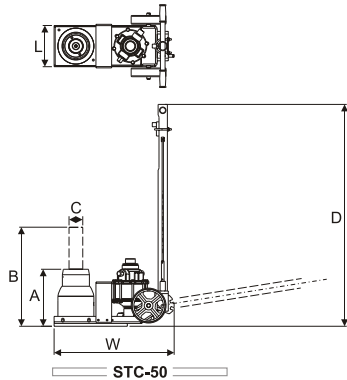
STC-50



STC-50DL



STC-30



STC-50



STC-50DL



STC-50

型號 Model Number	能力 Cap. (tons)	揚程 Stroke (mm)	本身高 Coll. Height A (mm)	伸長總高 Ext. Height B (mm)	主軸 Plunger C (mm)	柄高 Handle Height D (mm)	底座尺寸 Base Dimensions L x W (mm)	輔助高度 Auxiliary Height (mm)	使用空壓 Air pressure Rang (kgf/cm ²)	總重 Weight (kg)
STC-30L	30	120	224	350	60	1385	190x570	10,45,80	10-15	45.5
STC-50	50	130	242	375	65	1055	190x570	10,60,120	10-15	58.5
STC-50L	50	130	242	375	65	1390	190x570	10,60,120	10-15	58.5
STC-50L2	50	130	242	375	65	1690	190x570	10,60,120	10-15	58.5
STC-50DL	1st ₅₀ 2nd ₃₀	1st ₆₇ 2nd ₇₃	160	300	∅85/∅55	1385	190x570	10,60,120	10-15	44.4
STC-50DLB	1st ₅₀ 2nd ₃₀	1st ₆₇ 2nd ₆₈	160	295	∅85/∅55	1385	190x821	10,60,120	10-15	58.0

SD-I 拆胎系列

- 使用方便，操作簡單。
- 適用範圍廣泛。
- 節省人力，提高工作效率。

Tire Separation Series

- ※ Easy to use and operate.
- ※ Apply to application extensively
- ※ Manpower saving and efficiency increasing

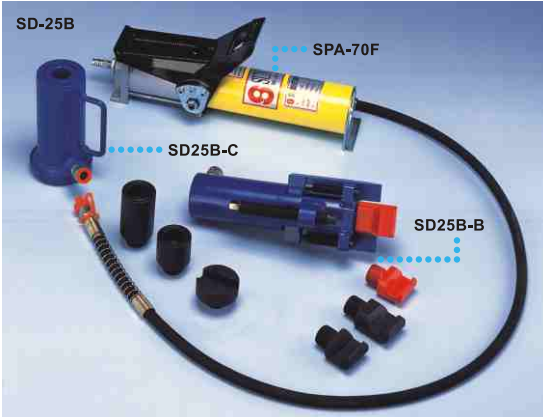
SD-20A



SD-25A



SD-25B



Model Number 型號	Product Name 名稱	Description 適用功能	Tire Range 適用範圍	Air Pressure Range 使用空壓 (kgf/cm ²)	Stroke 揚程 (mm)	Advance 推力 (tons)	Weight 總重 (kg)
SD-20A	輪胎迫擊器 Tire releaser	將輪胎與鋼圈間隙放鬆 To loosen the tire and rim.	8.00 / R16~12.00 / R20	10-15	100	8	22.0
SD-25A	巨型特種輪胎迫擊器 Special tire releaser	將輪胎與鋼圈間隙放鬆 To loosen the tire and rim.	20.00 / R24~30.00 / R25	10-15	100	8	24.0
SD-25B	巨型特種輪胎迫擊器(組) Special tire releaser	免卸鋼圈螺絲，直接車上拆胎 To use on the car, don't take apart the screw.	14.00 / R24 24.00 / R25以上(Above)	10-15	—	—	20.0
SD25B-B	巨型特種輪胎迫擊器(件) Special tire releaser				50	16	7.6
SD25B-C					100	20	5.0
SPA-70F	氣動泵浦 Air Hydraulic Pumps				Page : 17		7.4

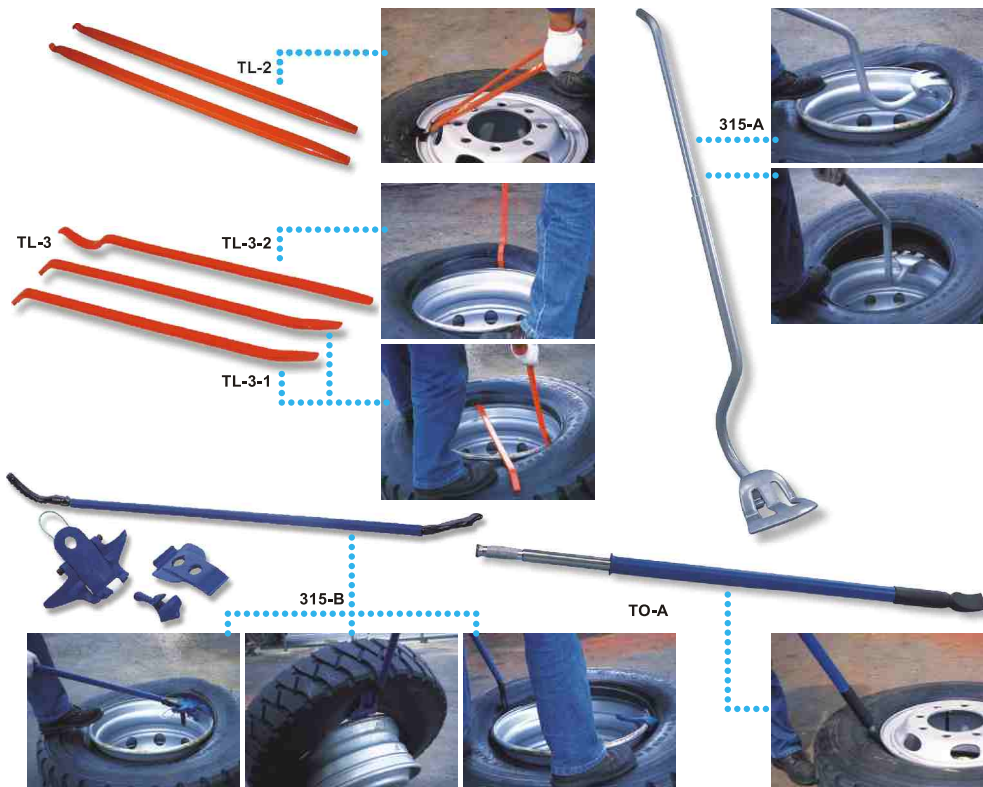
SD-II SERIES

SD-II 拆胎系列

- 專業提供各式輪胎服務工具。
- 易於攜帶，操作簡便。
- 安全、省力、快速的最佳選擇。

Tire Separation Series

- ※ Professional service for all kinds of tire tools
- ※ Easy to carry and operate
- ※ The best choice for safety, manpower saving and high speed demand.



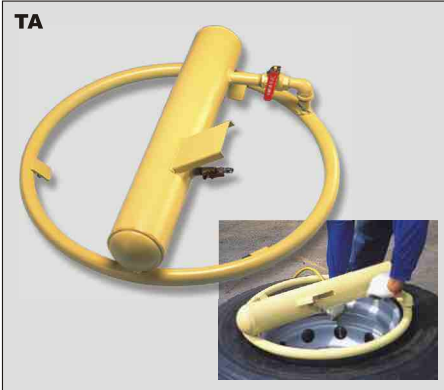
Model Number 型號	Product Name 名稱	Description 適用功能	Weight 總重 (kg)	Remark 備註
TL-2	二支組撬棒 2 pcs Wrecking bars	拆鋼圈帶用工具 To take apart the rim	3.4	大卡車用 For truck
TL-3	三支組撬棒(組) 3 pcs Wrecking bars	使無內胎輪胎與鋼圈脫離用工具 To take apart the tubeless tire and rim	6.1	
TL-3-1	撬棒(拆) Wrecking bars(apart)		2.0	
TL-3-2	撬棒(裝) Wrecking bars(install)		2.0	
TO-A	輪胎衝擊器(撞錘) Tire impact tool	使胎緣與鋼圈間隙放鬆用工具 To release the gap of tire edge and rim	11.5	大卡車用 For truck 適用範圍： 295/R22.2、315/R22.5
315-A	315拆胎器 315 / Tire separation tools	使無內胎輪胎與鋼圈脫離用工具，輕巧省力 To disassemble tubeless tire and rim	6.3	
315-B	315拆裝工具 315 / Tire separation tools	使無內胎輪胎與鋼圈脫離及裝入工具，輕巧省力 To disassemble or assemble tubeless tire and rim	11.0	

SD-III 拆胎系列

- 專業提供各式輪胎服務工具。
- 易於攜帶，操作簡便。
- 安全、省力、快速的最佳選擇。

Tire Separation Series

- ※ Professional service for all kinds of tire tools
- ※ Easy to carry and operate
- ※ The best choice for safety, manpower saving and high speed demand.



Model Number 型號	Product Name 名稱	Description 適用功能	Weight 總重 (kg)	Remark 備註
TA	充氣輔助圈 Aerator auxiliary ring	幫助無內胎輪胎充氣時瞬間密合用 Rapidly pressure boost for tubeless tires	12.7	使用空壓(Pneumatic pressure) 10-12kgf/cm ²
TA-2	充氣輔助桶(組) Aerator auxiliary tank	幫助無內胎輪胎充氣時瞬間密合用 Rapidly pressure boost for tubeless tires	13.6	使用空壓(Pneumatic pressure) 7kgf/cm ² ，容量20L
TA2-B	充氣輔助風圈(件) Aerator auxiliary wind instrument			
TA2-C	充氣輔助柄(件) Aerator auxiliary handle			
TH	輪胎加熱器 Tire heater	補內胎時加硫加熱用 To glue tire's tube with patching	8.6	使用電壓(Voltage rating) 110V 或 220VAC
BA-20	斷頭螺栓拆卸器 Broken End Bolt Puller	大卡車鋼圈中層螺栓四角頭斷裂時使用 To remove the bolt when the end of bolt has been torn off.	14.3	左、右牙各一個共1組 One set has right and left hook

TOOLS-I SERIES

TOOLS-I 其他工具

- 適用範圍廣泛，節省工具成本。
- 簡化維修流程，提高效率。
- 各式手工具，油壓工具，歡迎共同開發。

Other tools

- ※ Extensive application, reduce cost of tools.
- ※ Simplify repair process and increase efficiency.
- ※ Supply for every kinds of hand or hydraulic tools, especially for commission.



CU-120



CR-30



Model Number 型號	Product Name 名稱	Description 適用功能	Weight 總重 (kg)	Remark 備註
BL-20	變速箱軸承拔卸器 Bearing Puller	變速箱工具軸承拔卸用，節省工作流程 To pull the car's gear changing box bearing, reducing the working-hour.	6.3	
CU-120	可調式套筒 Adjustable Sleeve	適用範圍廣泛，節省工具成本，最適合大卡車後軸螺帽用 Extensive application and tool cost saving. To be suitable for nut on car's rear axle.	5.7	適用範圍(Range)： 六角(Hexagon) 60mm~120mm 八角(Octagon) 60mm~120mm
CH-30	後剎車鼓拔器 Rear Brake Puller	剎車鼓拔卸時，可簡化流程，節省人力 To simplify the process of the brake separation.	7.7	可將後輪剎車鼓拔出 To separate the brake from rear wheel
CR-30	前剎車鼓拔器 Front Brake Puller	剎車鼓拔卸時，可簡化流程，節省人力 To simplify the process of the brake separation.	3.85	可將前輪剎車鼓拔出 To separate the brake from front wheel

TOOLS-II 其他工具

- 提供快速安全的輪胎服務工具。
- 使用簡便，操作容易，加速操作流程。
- 各式手工具，油壓工具，歡迎共同開發。

Other tools

- ※ Supply fast and safely service for tire tools.
- ※ Easy to use and operate, simplify repair process.
- ※ Supply for every kinds of hand or hydraulic tools, especially for commission.

斜角補正器 使用圖例



正確操作姿勢



危險!



錯誤姿勢，小心夾手。



頭部切勿靠近操作台，請保持安全距離。

SCC-200



						
SCC200-CC1 φ 6小通針 φ 6pin	SCC200-CC2 φ 8大通針 φ 8pin	SCC200-CC3 φ 6小腳針 φ 6rivet	SCC200-CC4 φ 8大腳針 φ 8rivet	SCC200-CY1 模座 mold pedestal	SCC200-D02 大斜模座(腳) big rivet slant mold pedestal	SCC200-D03 小斜模座(腳) small rivet slant mold pedestal

Model Number 型號	Product Name 名稱	Description 適用功能	Capacity 出力 (kgf)	Weight 總重 (kg)	Remark 備註
SCC-200	铆釘機 Rivet Machine	剎車皮铆合及換裝，使用方便、安全、不佔空間 For brake lining riveting and replacing, easy to use, safety and miniaturization.	3000	111.25	使用電壓 (Voltage rating) 1PH 220V 0.75KW

TOOLS-III SERIES

TOOLS-III 其他工具

- 提供快速安全的輪胎服務工具。
- 使用簡便，操作容易，經久耐用，加速操作流程。
- 各式手工具，油壓工具，歡迎共同開發。

Other tools

- ※ Supply fast and safely service for tire tools.
- ※ Easy to use and operate, durable, simplify repair process.
- ※ Supply for every kinds of hand or hydraulic tools, especially for commission.

SA-2 / SA-3



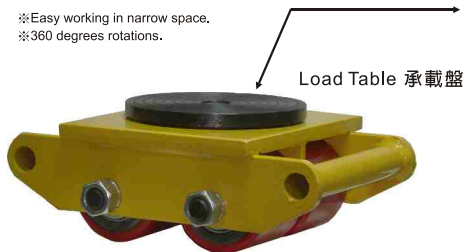
Model Number 型號	Product Name 名稱	Cylinder Capacity 能力 (tons)	Min. Height 最低尺寸 (mm)	Max. Height 最高尺寸 (mm)	Air Pressure Rang 使用空壓 (kgf/cm ²)	Weight 總重 (kg)
SA-2	氣球式千斤頂 Air jack / 2 balls type	2	130	370	5~7	14
SA-3	氣球式千斤頂 Air jack / 3 balls type	2	150	450	5~7	16

B 旋轉搬運小坦克

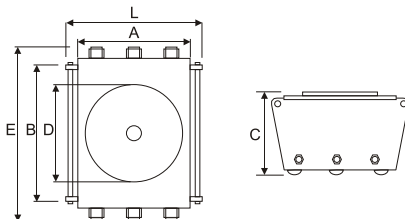
- 適用於窄小空間搬運。
- 可360°迴轉。

Roller Skate with Turn Table

- ※ Easy working in narrow space.
- ※ 360 degrees rotations.



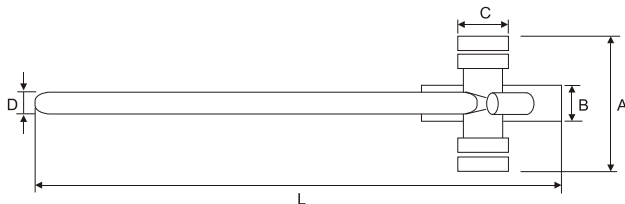
B-4S Fixed Load Table 固定承載盤
B-4ST Rolling Load Table 旋轉承載盤



型號 Model Number	荷重 Capacity (ton)	樣式 Style	尺寸 Dimension (mm)						重量 Weight (kg)
			A	B	C	D	E	L	
B-4S	6	Pu 4wheel	170	198	110	150	218	287	15
B-4ST	6	Pu 4wheel	170	198	110	150	218	287	15
B-6S	8	Pu 6wheel	265	198	110	150	218	287	21
B-6ST	8	Pu 6wheel	265	198	110	150	218	287	21
B-8S	12	Pu 8wheel	360	198	110	150	222	477	28
B-8ST	12	Pu 8wheel	360	198	110	150	222	477	28

JO 培林撬棒

Bearing wrecking bar



型號 Model Number	荷重 Capacity (ton)	尺寸 Dimension (mm)					重量 Weight (kg)
		A	B	C	D	L	
JO-3	3	150	65	62	34	1430	6.8
JO-5	5	165	75	72	38	1580	12.0



巨輪興股份有限公司-總公司

CHU LUN SING CO.,LTD- Head Office

82059高雄市岡山區岡山北路199號
No.199, Gangshan N. Rd., Gangshan Dist.,
Kaohsiung City 82059, Taiwan
TEL:886-7-6210505
FAX:886-7-6217575
<http://www.sunrun.com.tw>
e-mail: sun.run@msa.hinet.net

Singapore

Sun Hydraulics Pte Ltd

2 Yishun Industrial Street 1 #04-15
North Point Bizhub Singapore 768159
TEL : 65-6 841 7833
FAX : 65-6 844 2231
<http://www.sunhydraulics.com.sg>
e-mail: sales@sunhydraulics.com.sg

Thailand

Sun Hydraulics [Thailand] Co., Ltd

293/14 Soi Ramintra 119 Minburi Bangkok
10510 Thailand
TEL : 66-2 540 6631
FAX : 66-2 540 6632
<http://www.sunhydraulics.co.th>
e-mail: sales@sunhydraulics.co.th

India

V-tech power hydraulics

5, Roshan House, Plot # 18, Sector # 30
Opp. Sanpada Railway Station, Sanpada (West) ,
Navi Mumbai - 400 705, Maharashtra, India
TEL : 91 22 27 75 21 80
FAX : 91 22 27 75 11 81
<http://www.vtechhydraulic.com>
e-mail: sales@vtechhydraulic.com

China-Shanghai

Chu Lun Sing Machinery [Shanghai] Co., Ltd

昆山市花橋鎮花安路169號中寰廣場公寓樓1層5室
Room5, building 169, HuaAn Road, HuaQiao District KunShan City
TEL : 86- 21 39217246
FAX : 86-51 236870145
Mobil : 86- 18001933799
86- 15821790796
86- 13671662885

